



US00D554168S

(12) **United States Design Patent**
Shi et al.

(10) **Patent No.:** **US D554,168 S**

(45) **Date of Patent:** **** Oct. 30, 2007**

(54) **WEBCAM**

(75) Inventors: **Zheng Shi**, Shenzhen (CN); **Jun Zhang**, Shenzhen (CN); **Guang-Yao Lee**, Tu-cheng (TW); **Chun-Chi Liang**, Tu-cheng (TW)

(73) Assignee: **Hon Hai Precision Industry Co., Ltd.**, Tu-Cheng, Taipei Hsien (TW)

(**) Term: **14 Years**

(21) Appl. No.: **29/255,552**

(22) Filed: **Mar. 8, 2006**

(30) **Foreign Application Priority Data**

Dec. 2, 2005 (CN) 2005 3 0156179

(51) **LOC (8) Cl.** **16-01**

(52) **U.S. Cl.** **D16/202**

(58) **Field of Classification Search** D16/200–206,
D16/208, 218; 348/373–376; 358/906,
358/909.1; 396/535–541

See application file for complete search history.

(56) **References Cited**

U.S. PATENT DOCUMENTS

D448,784 S * 10/2001 Perez et al. D16/202

D448,787 S * 10/2001 Shiotani D16/218

D486,169 S * 2/2004 Esslinger et al. D16/200

D533,887 S * 12/2006 Logan et al. D16/208

D534,566 S * 1/2007 Ishii D16/208

* cited by examiner

Primary Examiner—Adir Aronovich

(74) *Attorney, Agent, or Firm*—Wei Te Chung

(57) **CLAIM**

The ornamental design for a webcam, as shown and described.

DESCRIPTION

FIG. 1 is a perspective view of a webcam showing our new design;

FIG. 2 is a front elevational view thereof;

FIG. 3 is a rear elevational view thereof;

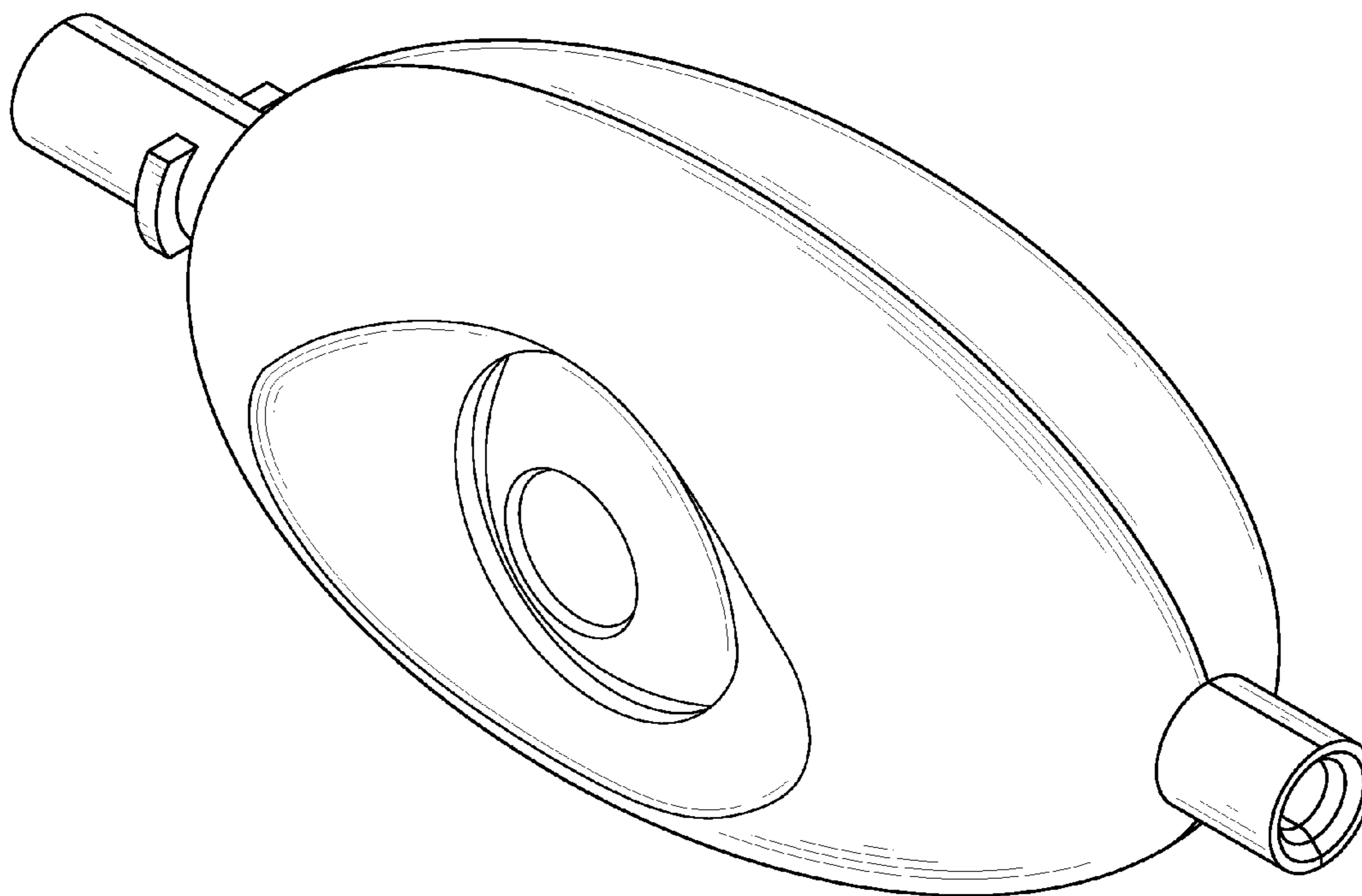
FIG. 4 is a left-side, elevational view thereof;

FIG. 5 is a right-side, elevational view thereof;

FIG. 6 is a top plan view thereof; and,

FIG. 7 is a bottom plan view thereof.

1 Claim, 6 Drawing Sheets



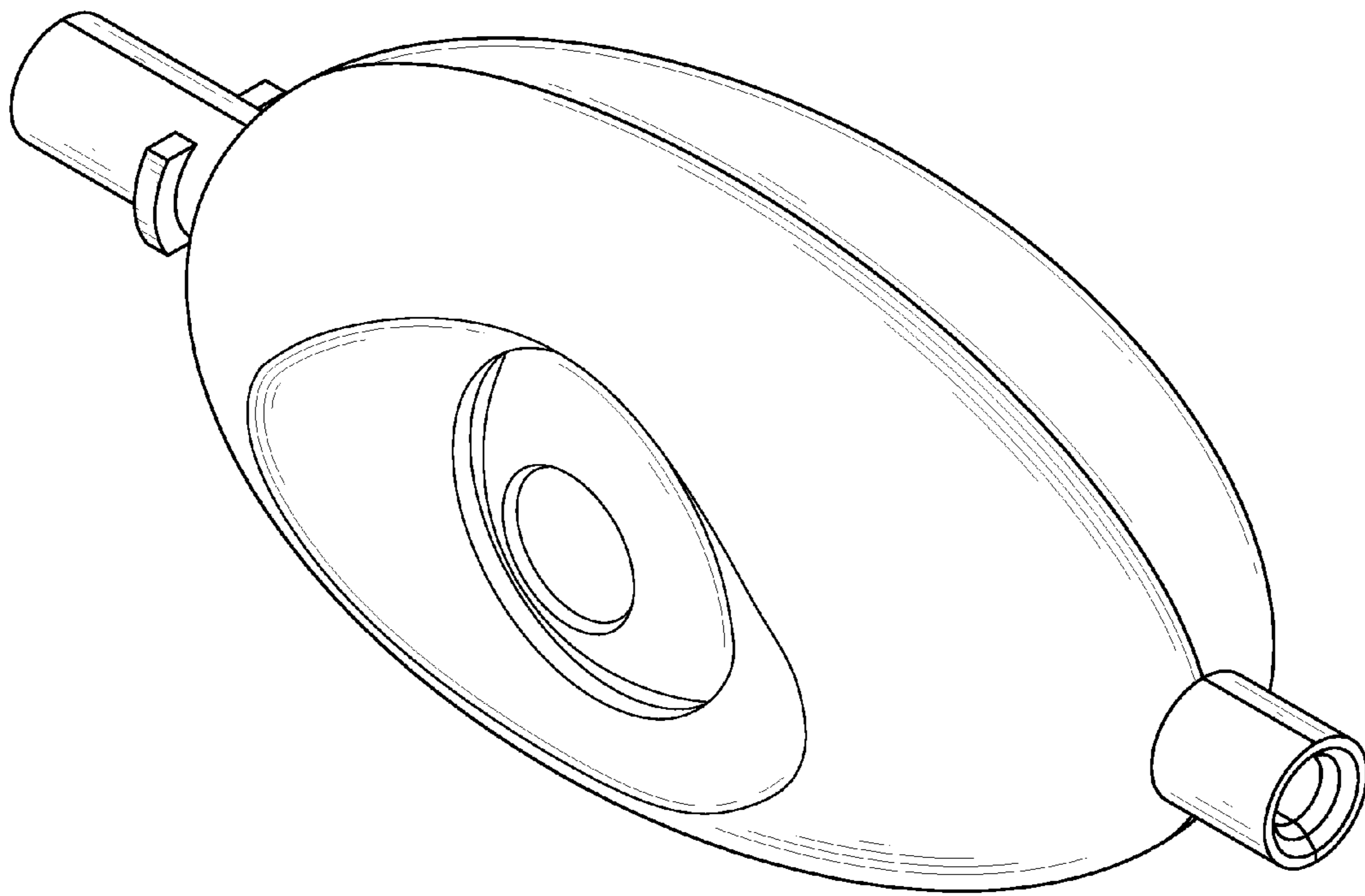


FIG. 1

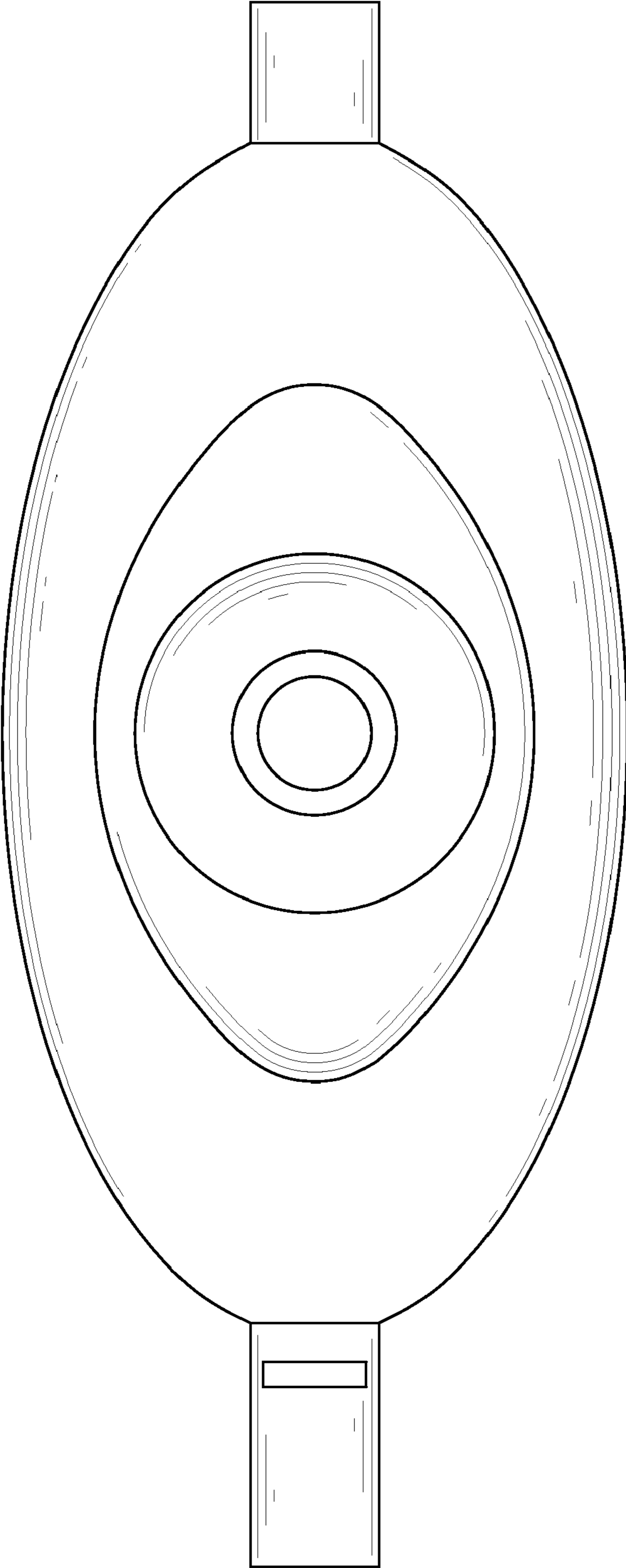


FIG. 2

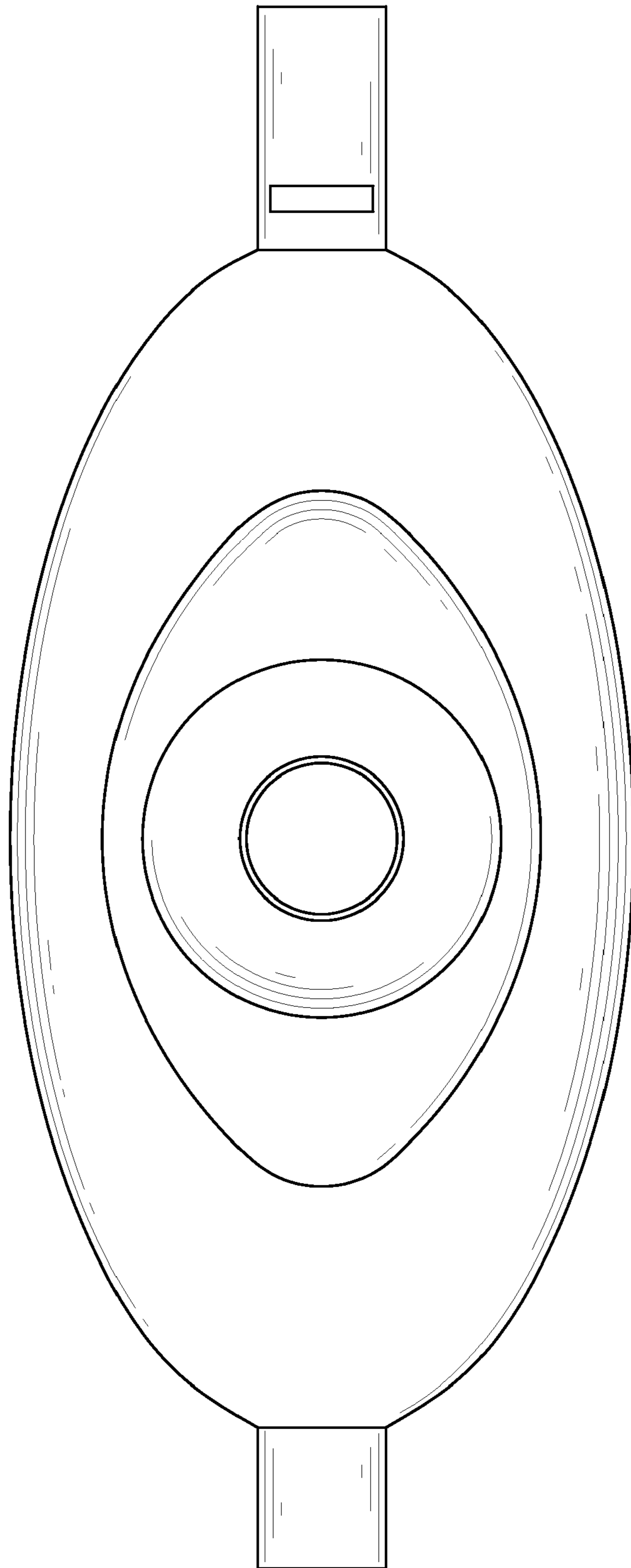


FIG. 3

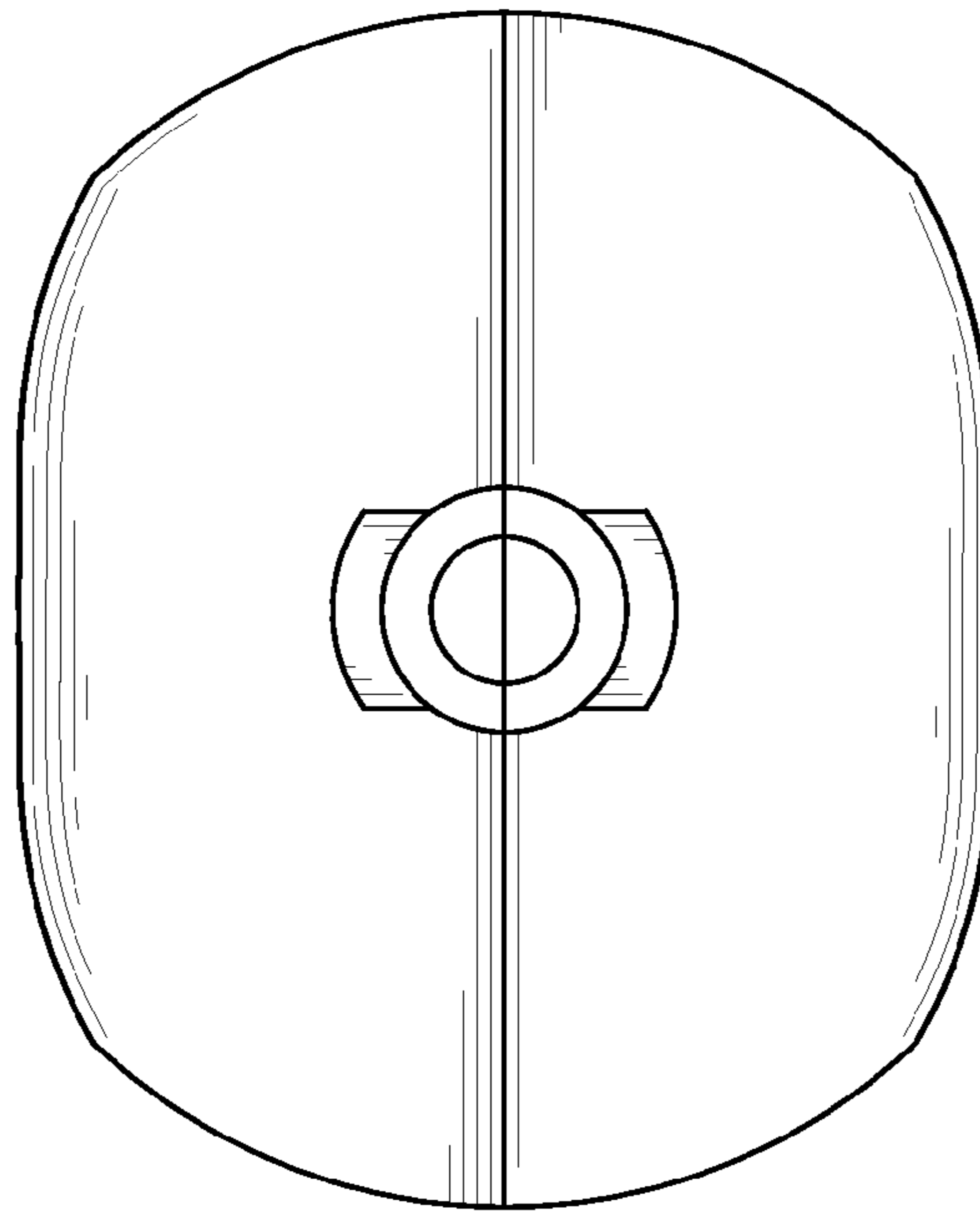


FIG. 4

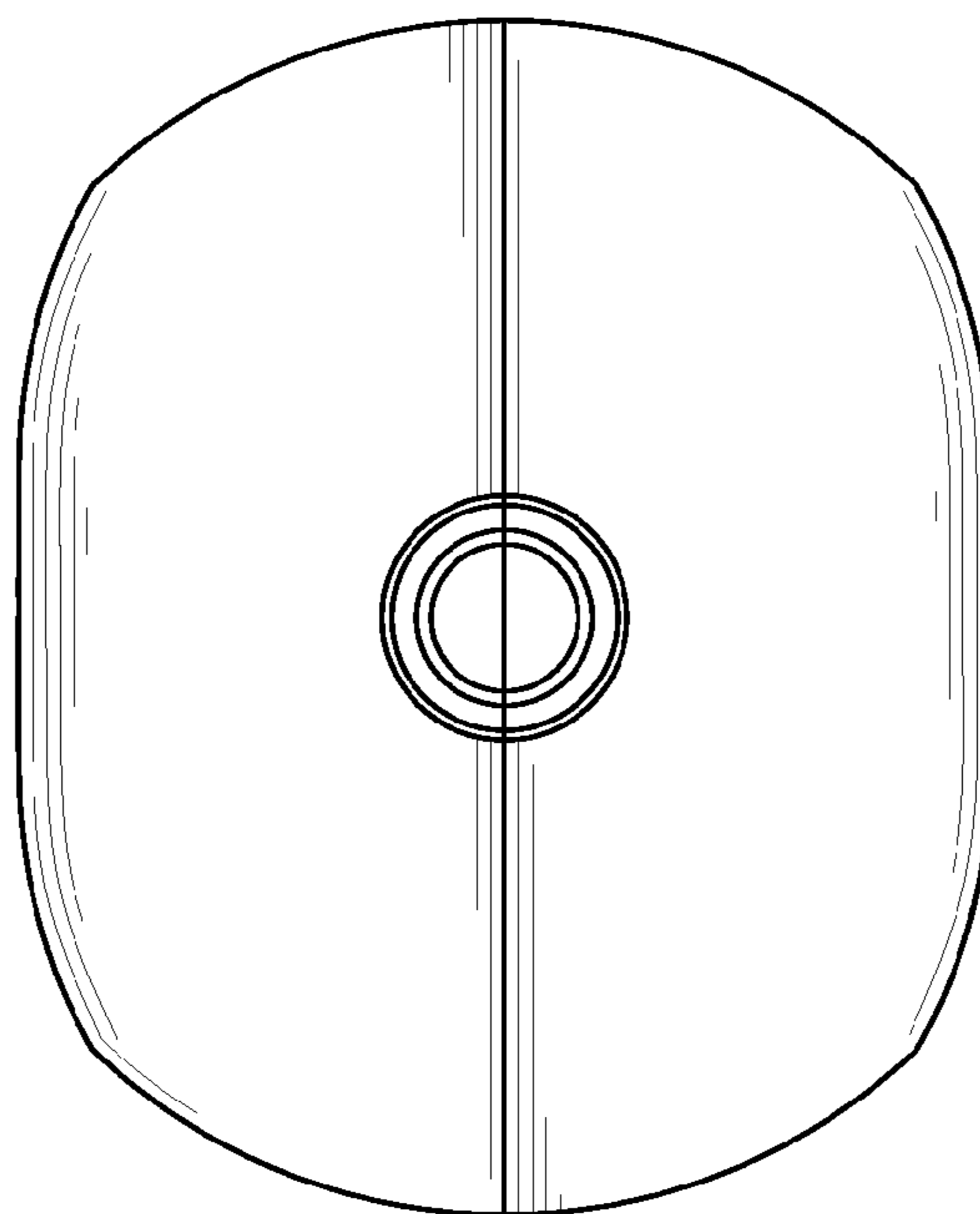


FIG. 5

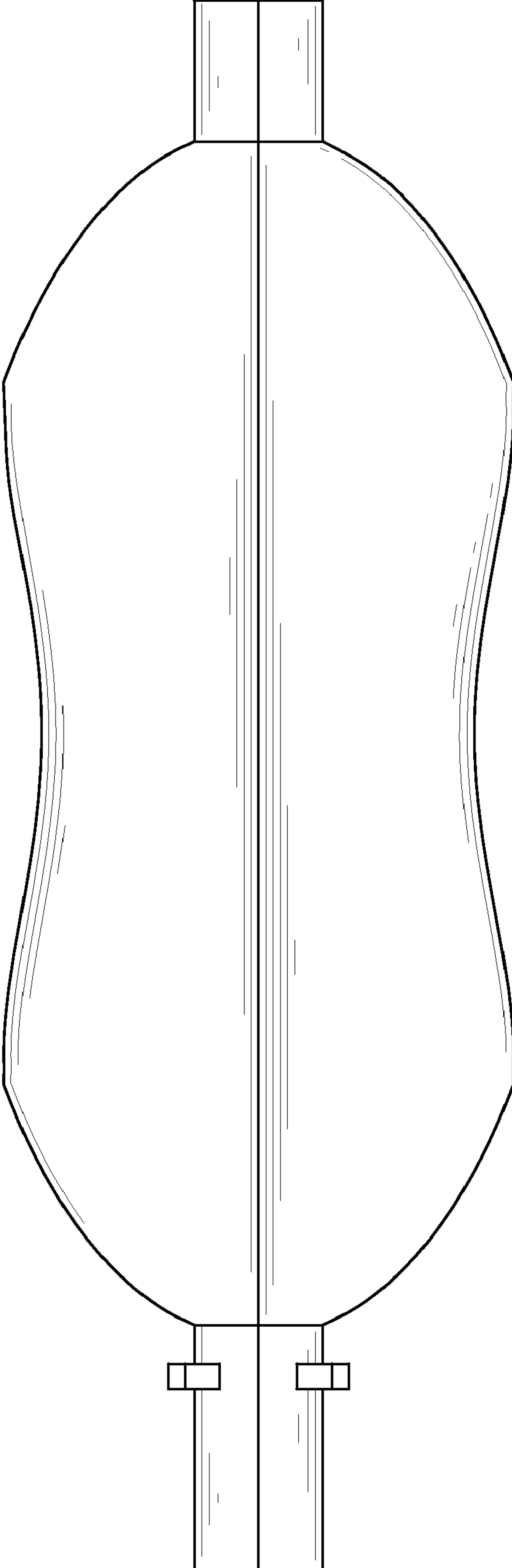


FIG. 6

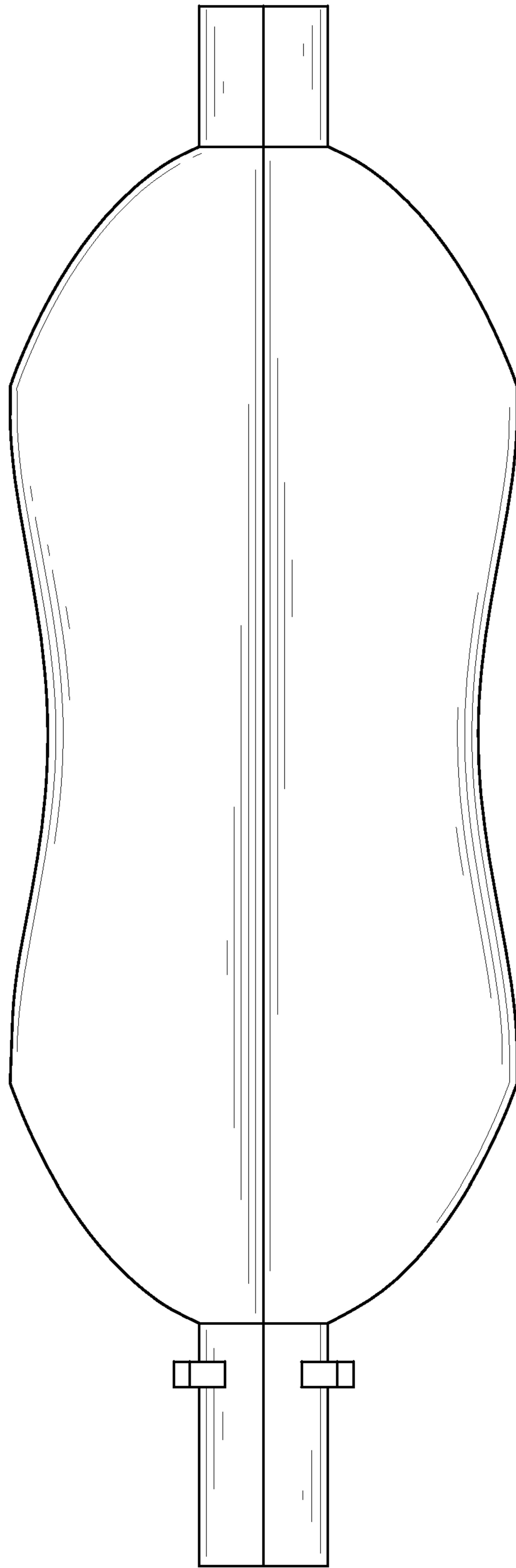


FIG. 7