



US00D554167S

(12) **United States Design Patent**
Narita et al.

(10) **Patent No.: US D554,167 S**

(45) **Date of Patent: ** Oct. 30, 2007**

(54) **CAMCORDER**

D467,601 S * 12/2002 Kojima et al. D16/202

(75) Inventors: **Tatsuya Narita**, Yokohama (JP); **Shuji Tanifuji**, Yokohama (JP); **Akihiko Miyamori**, Yokohama (JP)

* cited by examiner

Primary Examiner—Ian Simmons

Assistant Examiner—Wan Laymon

(73) Assignee: **Victor Company of Japan Limited**, Yokohama (JP)

(74) *Attorney, Agent, or Firm*—The Nath Law Group; Jerald L. Meyer; Derek Richmond

(**) Term: **14 Years**

(57) **CLAIM**

(21) Appl. No.: **29/232,493**

The ornamental design for a camcorder, as shown and described.

(22) Filed: **Jun. 21, 2005**

DESCRIPTION

(30) **Foreign Application Priority Data**

Dec. 22, 2004 (JP) D2004-039272

FIG. 1 is a perspective view of a camcorder showing our new design;

(51) **LOC (8) Cl.** **16-01**

FIG. 2 is a rear perspective view thereof;

(52) **U.S. Cl.** **D16/202; D16/205**

FIG. 3 is a rear perspective view thereof shown with the monitor panel opened;

(58) **Field of Classification Search** D16/200–205; 348/373–376; 396/535–541; 358/906, 909.1
See application file for complete search history.

FIG. 4 is a front view thereof;

FIG. 5 is a rear view thereof;

(56) **References Cited**

U.S. PATENT DOCUMENTS

D435,574 S * 12/2000 Miyashita D16/202
D445,814 S * 7/2001 Oki et al. D16/202
D446,799 S * 8/2001 Ohki et al. D16/202
D460,471 S * 7/2002 Oda et al. D16/202

FIG. 6 is a top plan view thereof;

FIG. 7 is a bottom view thereof;

FIG. 8 is a right side view thereof; and,

FIG. 9 is a left side view thereof.

1 Claim, 9 Drawing Sheets

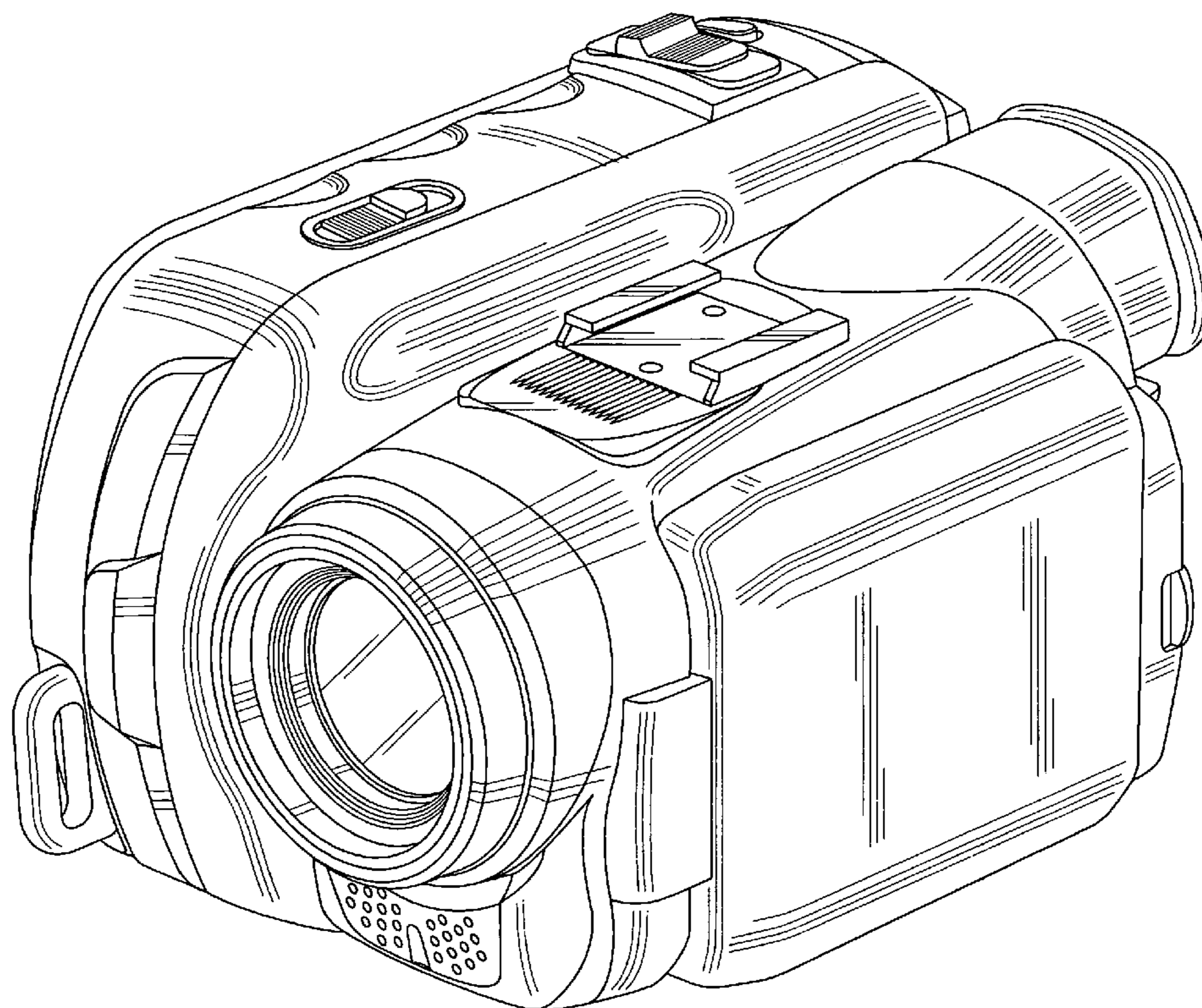
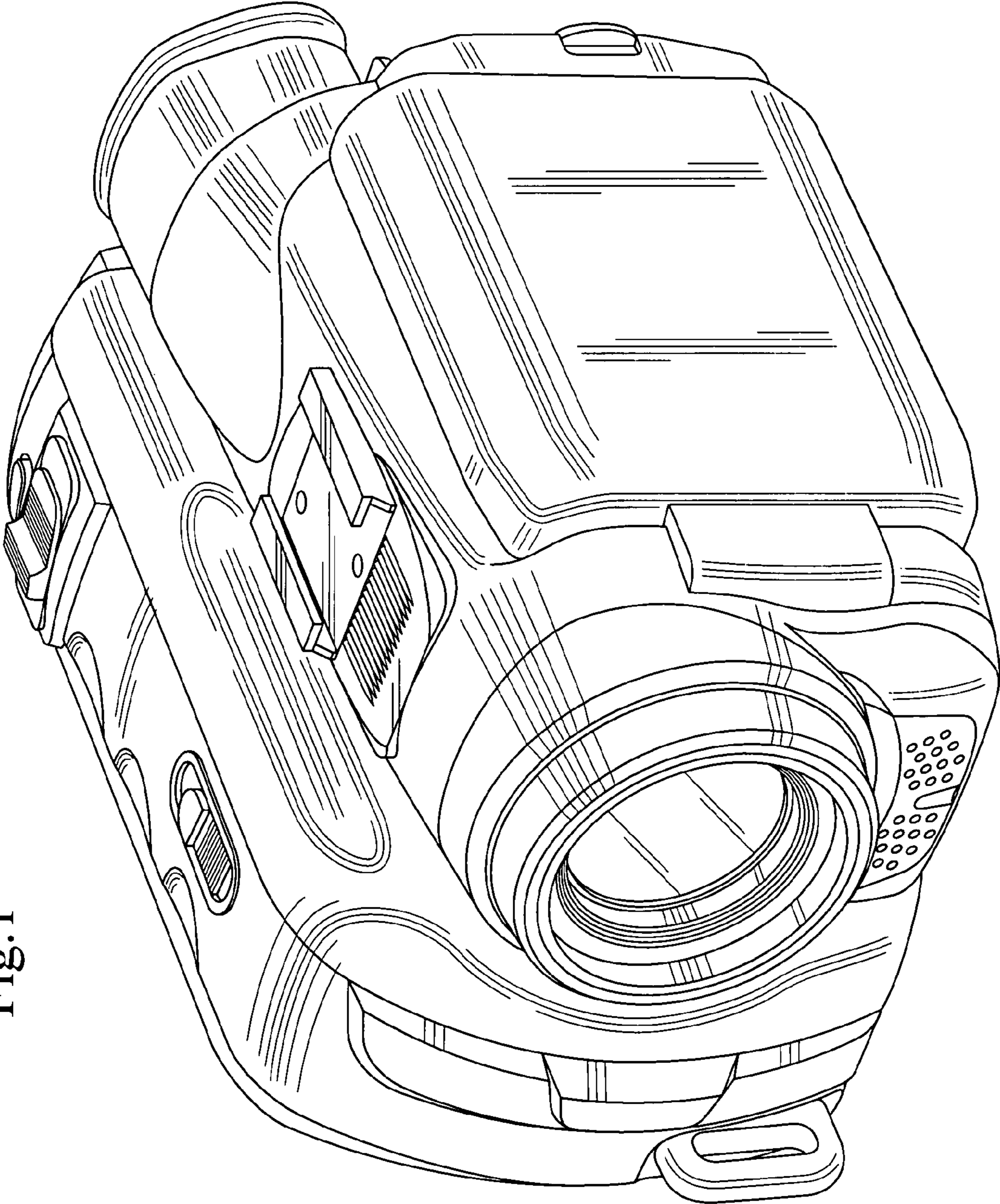


Fig.1



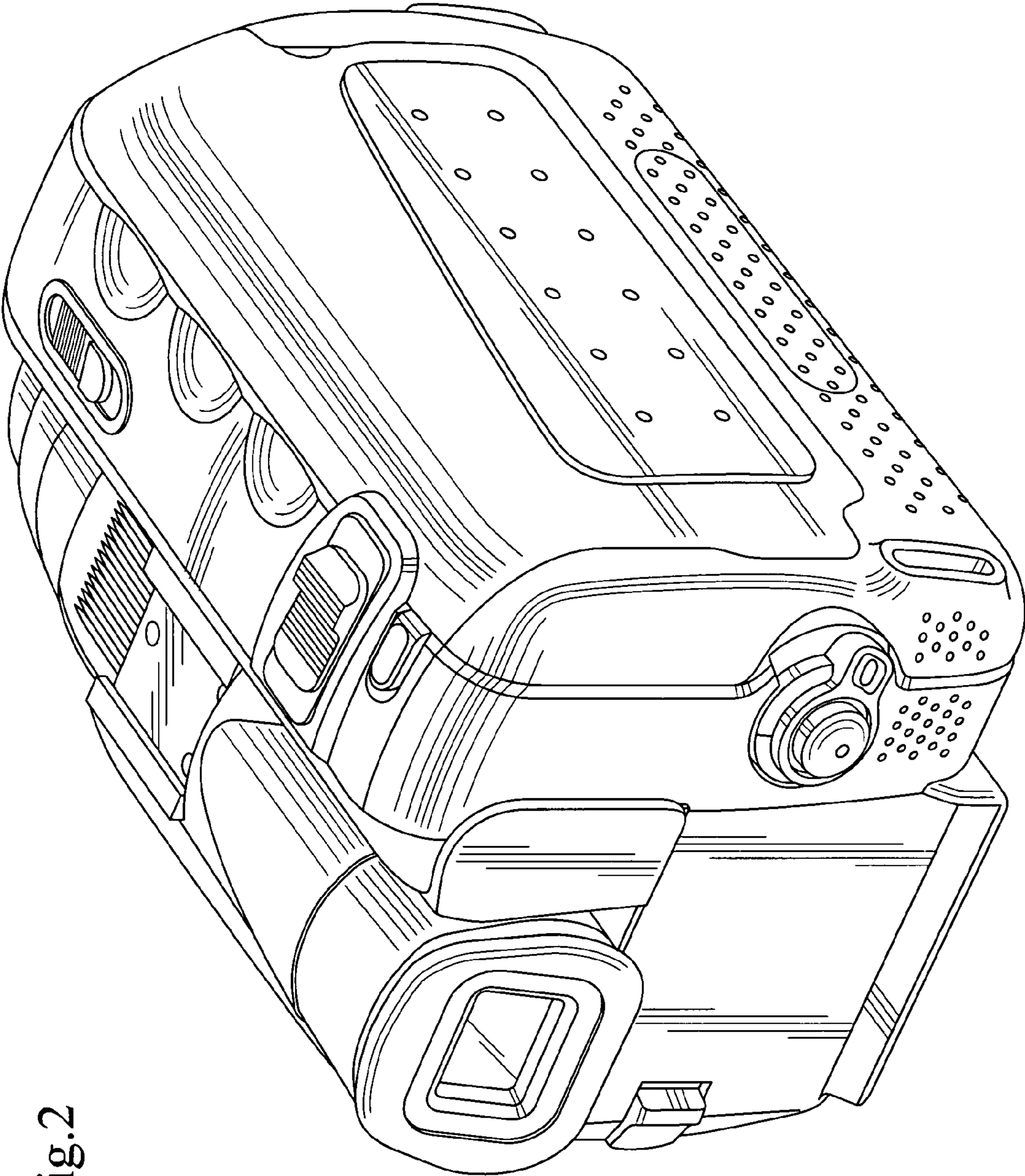


Fig.2

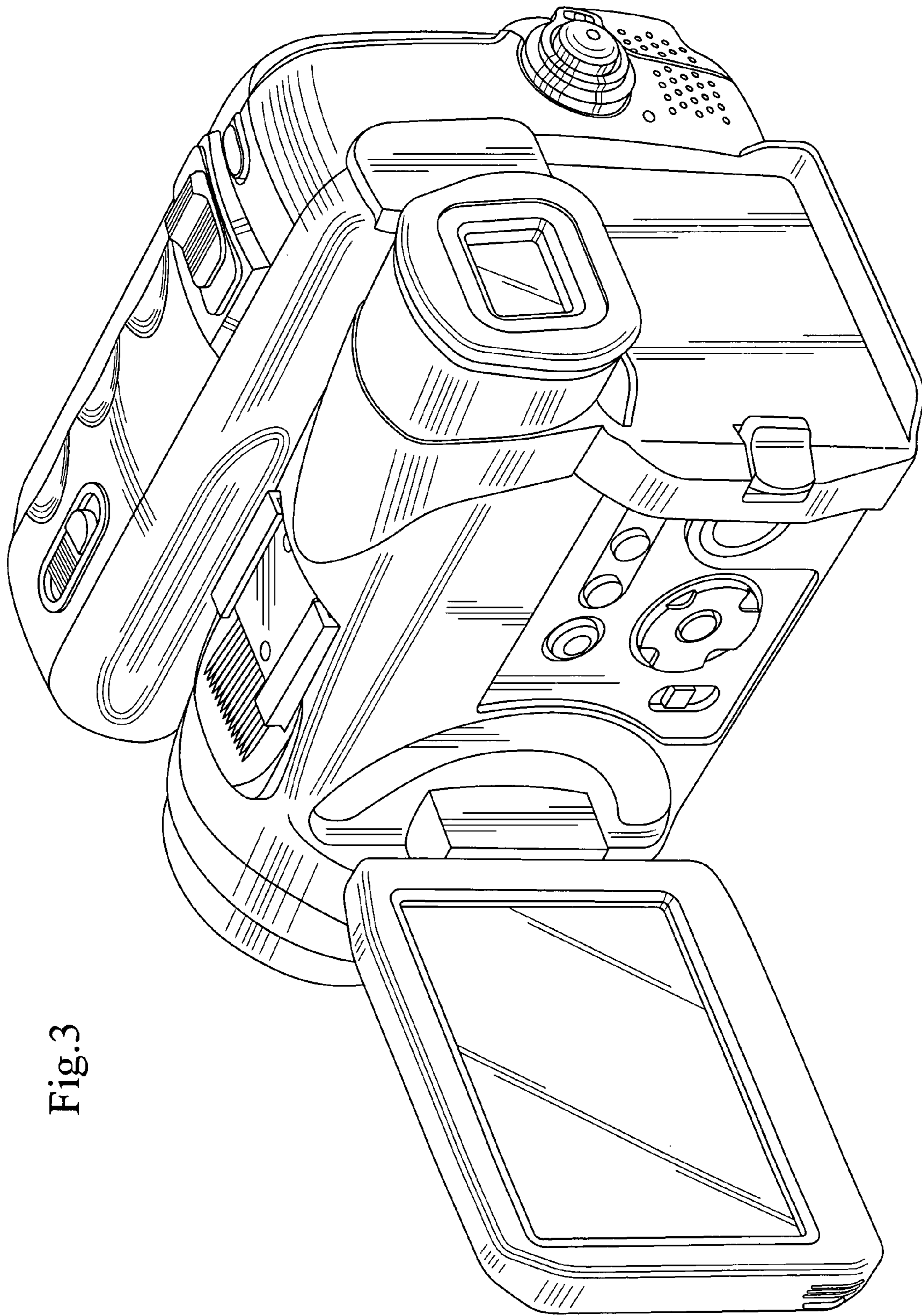


Fig.3

Fig.4

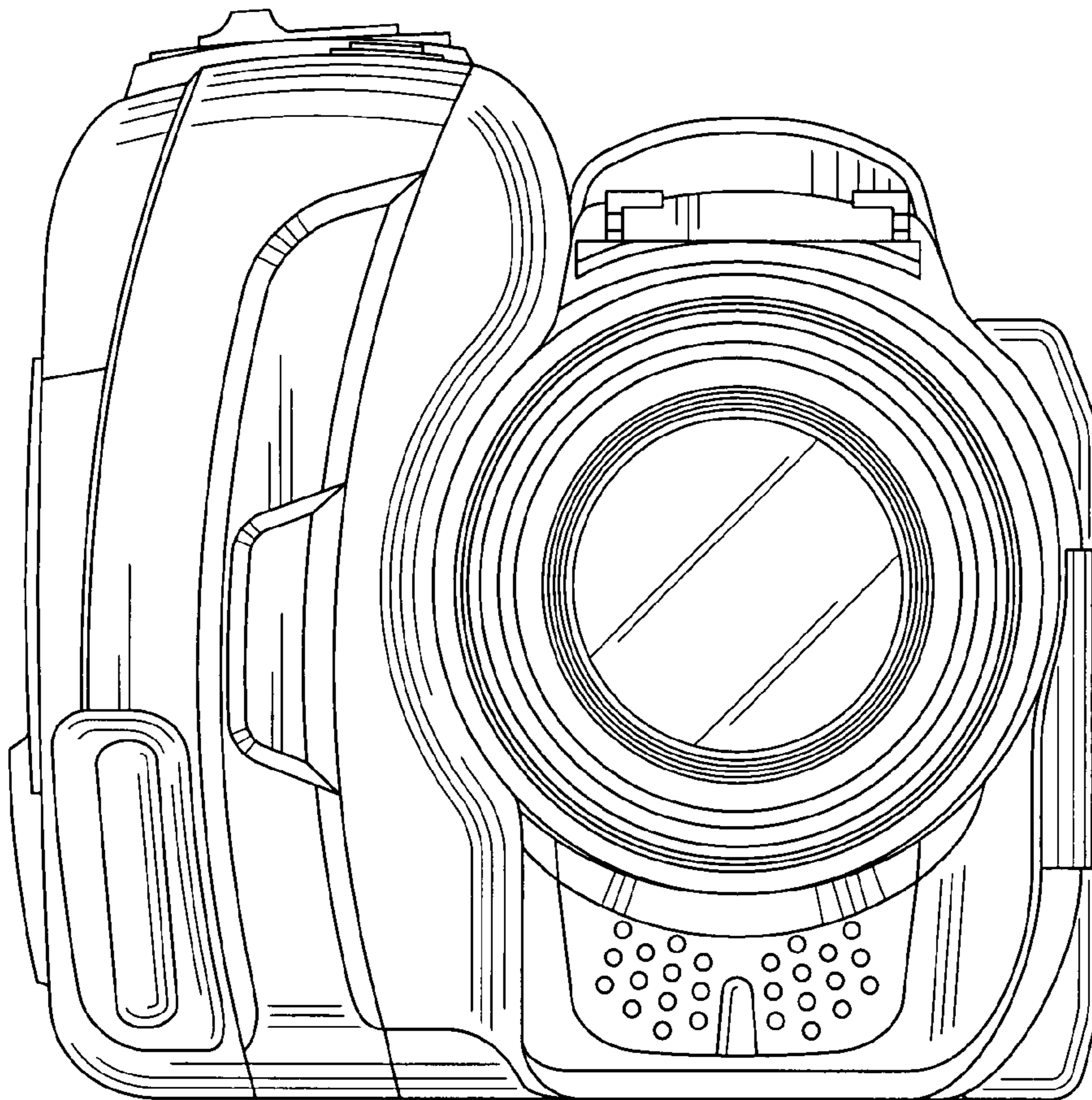


Fig.5

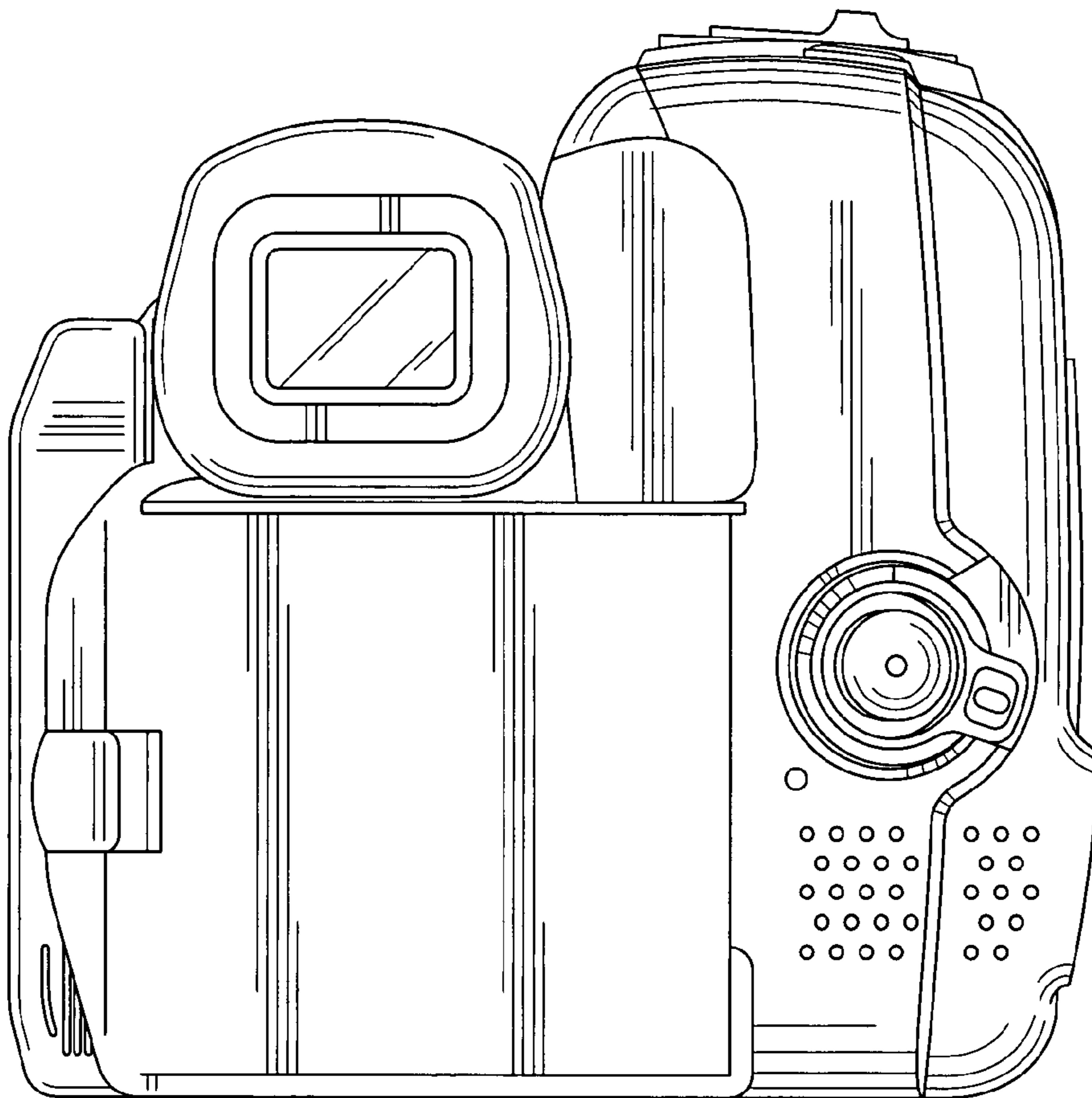


Fig.6

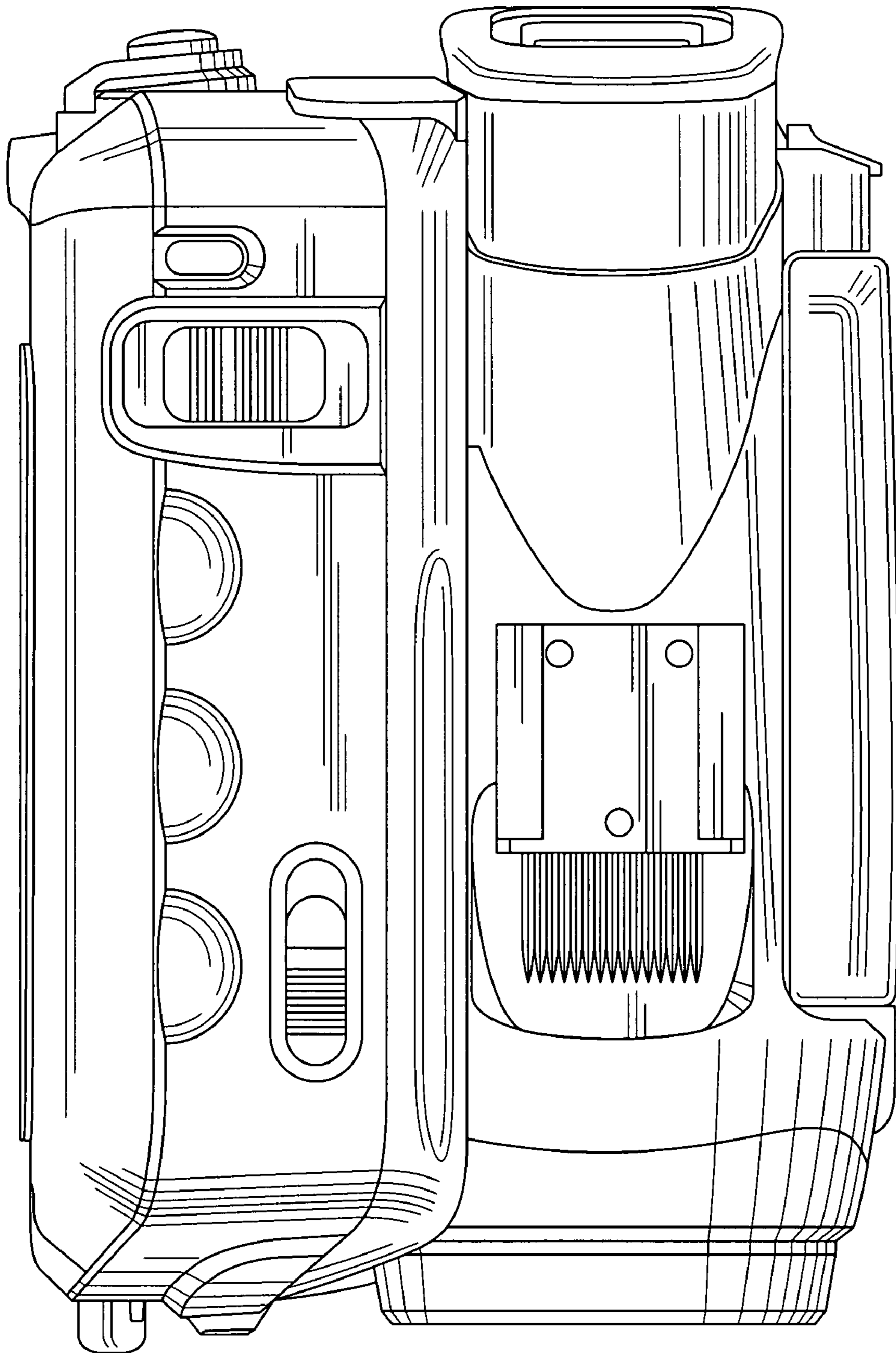


Fig.7

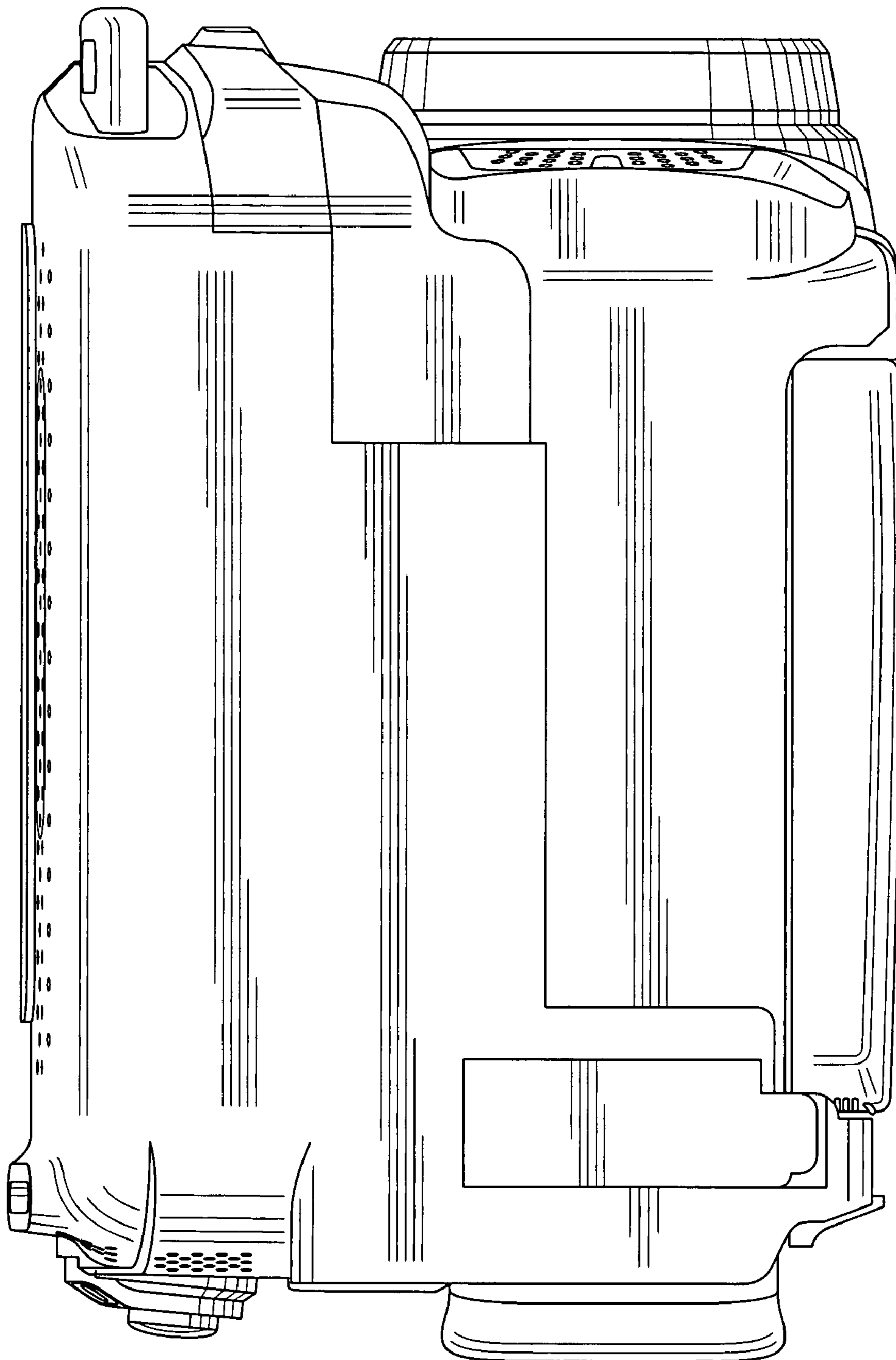


Fig. 8

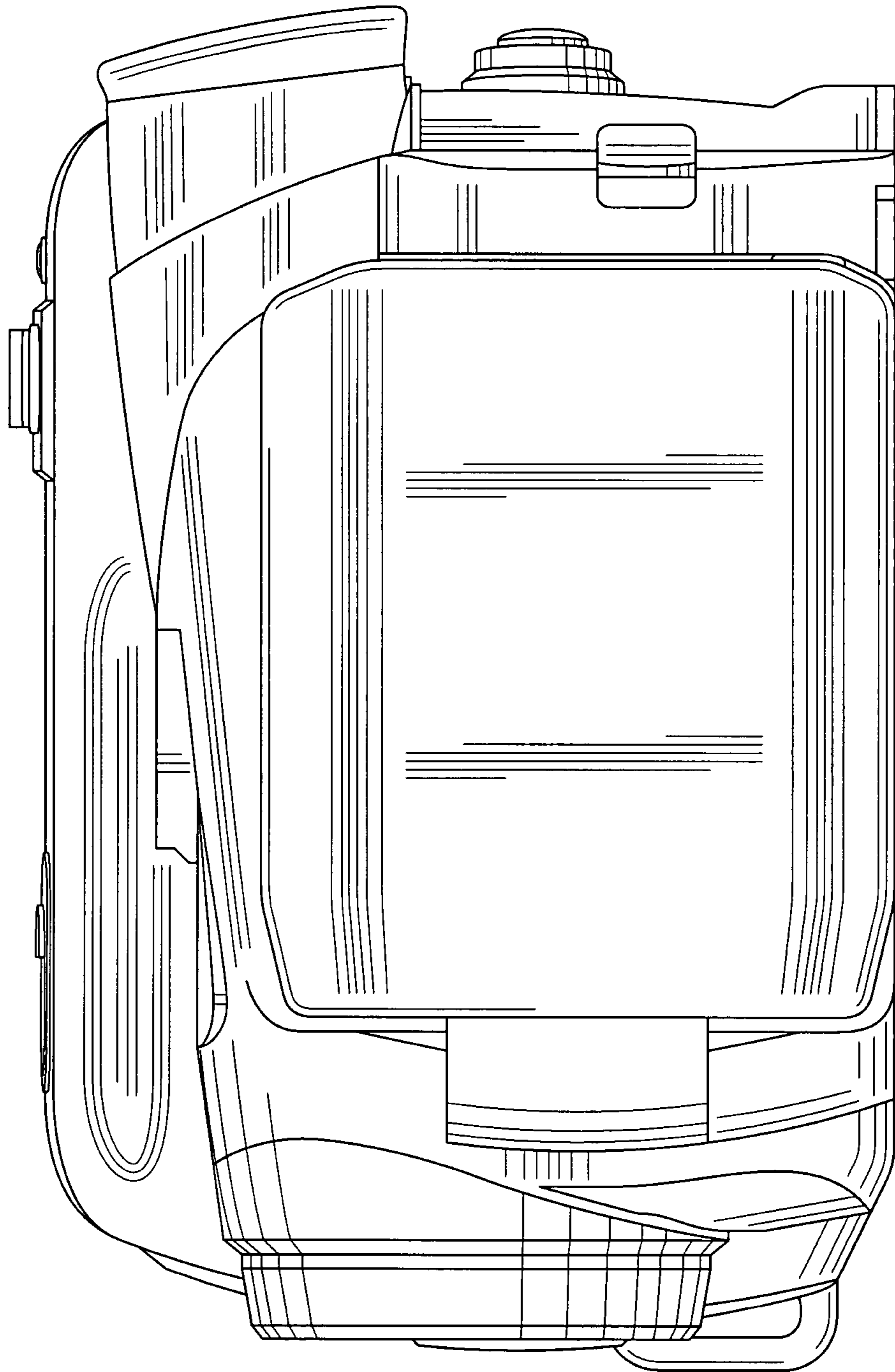


Fig.9

