



US00D554163S

(12) **United States Design Patent** (10) **Patent No.:** **US D554,163 S**  
**Krohmer et al.** (45) **Date of Patent:** **\*\* Oct. 30, 2007**

(54) **DOVETAIL JIG END PLATE**

(75) Inventors: **Steven Krohmer**, Coon Rapids, MN (US); **Daniel P. Banasik**, Eagan, MN (US)

(73) Assignee: **Rockler Companies, Inc.**, Medina, MN (US)

(\*\*) Term: **14 Years**

(21) Appl. No.: **29/272,120**

(22) Filed: **Feb. 1, 2007**

(51) **LOC (8) Cl.** ..... **15-09**

(52) **U.S. Cl.** ..... **D15/140**

(58) **Field of Classification Search** ..... D8/71;  
D15/140; 33/197, 561; 144/41, 85-89,  
144/144.5, 221; 269/41, 221

See application file for complete search history.

(56) **References Cited**

**U.S. PATENT DOCUMENTS**

464,867	A *	12/1891	Harris	.....	33/197
825,766	A *	7/1906	Schrock	.....	33/197
1,406,901	A *	2/1922	Rocher	.....	269/221
4,607,673	A *	8/1986	McCord, Jr.	.....	144/144.51
4,914,822	A *	4/1990	Wetherington	.....	33/197
5,513,437	A *	5/1996	Whyte	.....	33/197
5,853,035	A *	12/1998	Rose	.....	144/144.1
2007/0094961	A1 *	5/2007	Clarke	.....	52/233

**OTHER PUBLICATIONS**

Four (4) photographs of a dovetail jig end plate that was on sale in the United States prior to Feb. 1, 2007.

\* cited by examiner

*Primary Examiner*—Antoine D. Davis

*Assistant Examiner*—Patricia Palasik

(74) *Attorney, Agent, or Firm*—Westman, Champlin & Kelly, P.A.

(57) **CLAIM**

The ornamental design for a dovetail jig end plate, as shown and described.

**DESCRIPTION**

FIG. 1 is an isometric front end, top and side view of the dovetail jig end plate.

FIG. 2 is an end view, as taken from the front in FIG. 1.

FIG. 3 is an end view, as taken from the back in FIG. 1.

FIG. 4 is a top view of the dovetail jig end plate.

FIG. 5 is a bottom view of the dovetail jig end plate.

FIG. 6 is a side view, as taken from the left in FIG. 4.

FIG. 7 is a side view, as taken from the right in FIG. 4.

FIG. 8 is an isometric front end, top and side view of a second embodiment of the dovetail jig end plate.

FIG. 9 is an end view of the embodiment of FIG. 8, as taken from the front in FIG. 8.

FIG. 10 is an end view of the embodiment of FIG. 8, as taken from the back in FIG. 8.

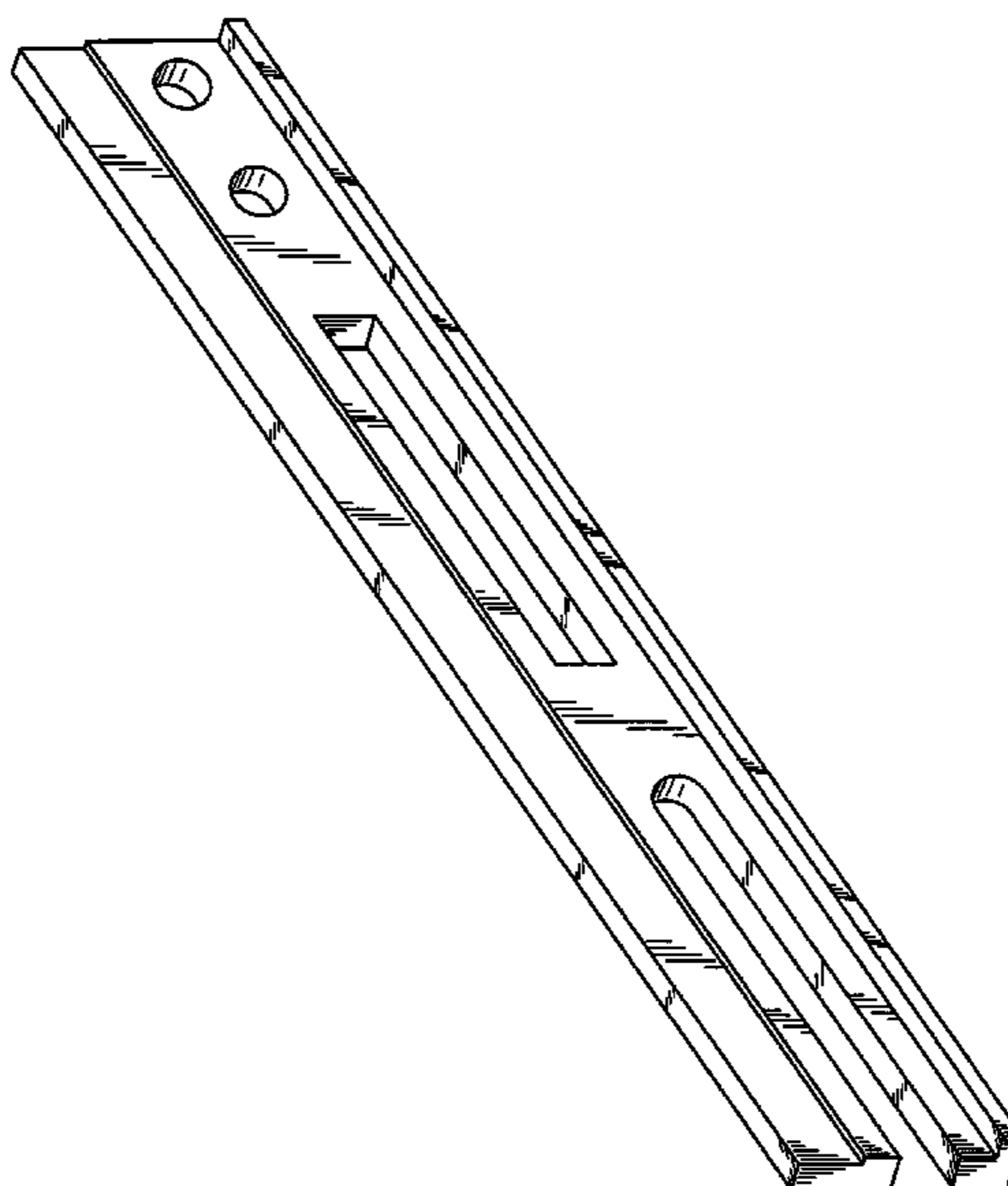
FIG. 11 is a top view of the dovetail jig end plate of FIG. 8.

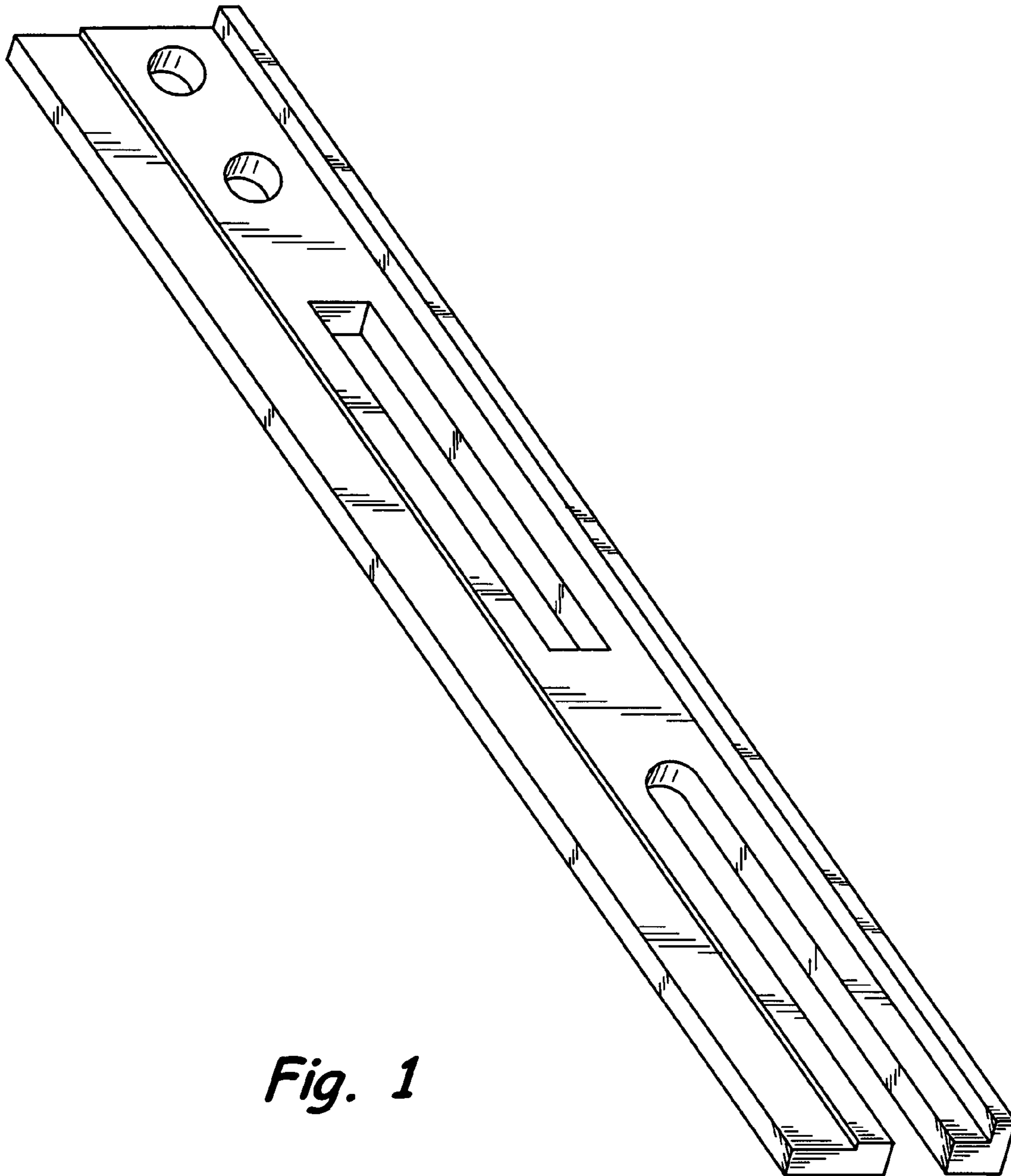
FIG. 12 is a bottom view of the dovetail jig end plate of FIG. 8.

FIG. 13 is a side view of the dovetail jig end plate of FIG. 8, as taken from the right in FIG. 11; and,

FIG. 14 is a side view of the dovetail jig end plate of FIG. 8, as taken from the left in FIG. 11.

**1 Claim, 6 Drawing Sheets**

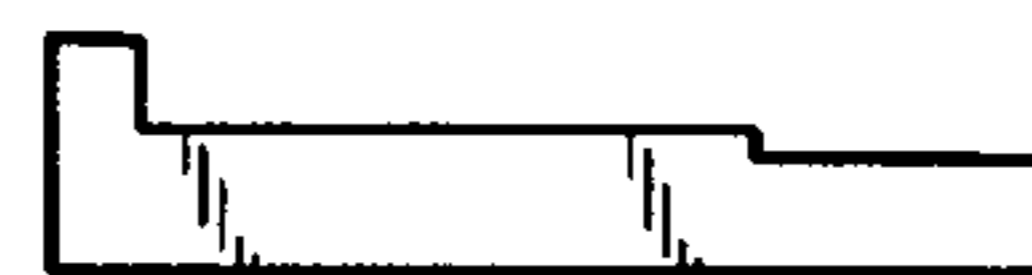




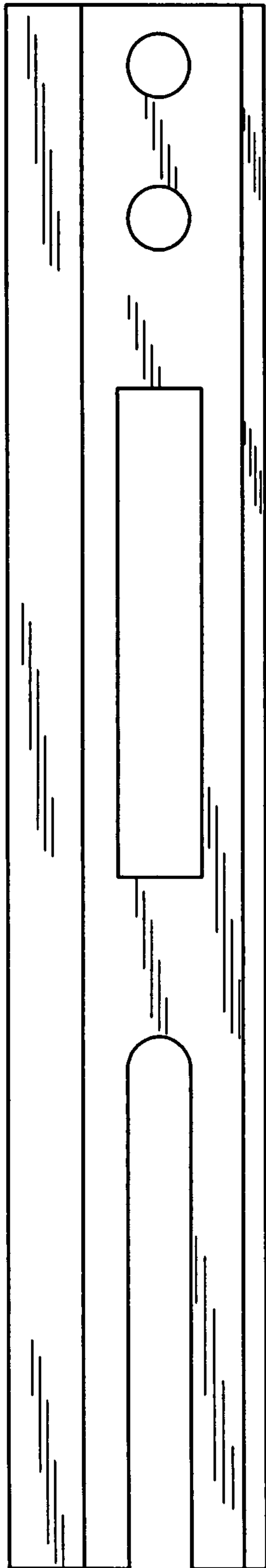
*Fig. 1*



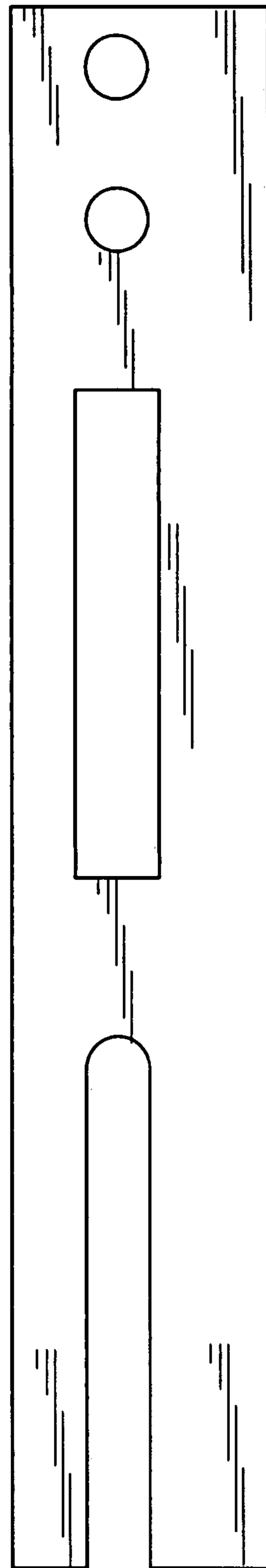
*Fig. 2*



*Fig. 3*



*Fig. 4*



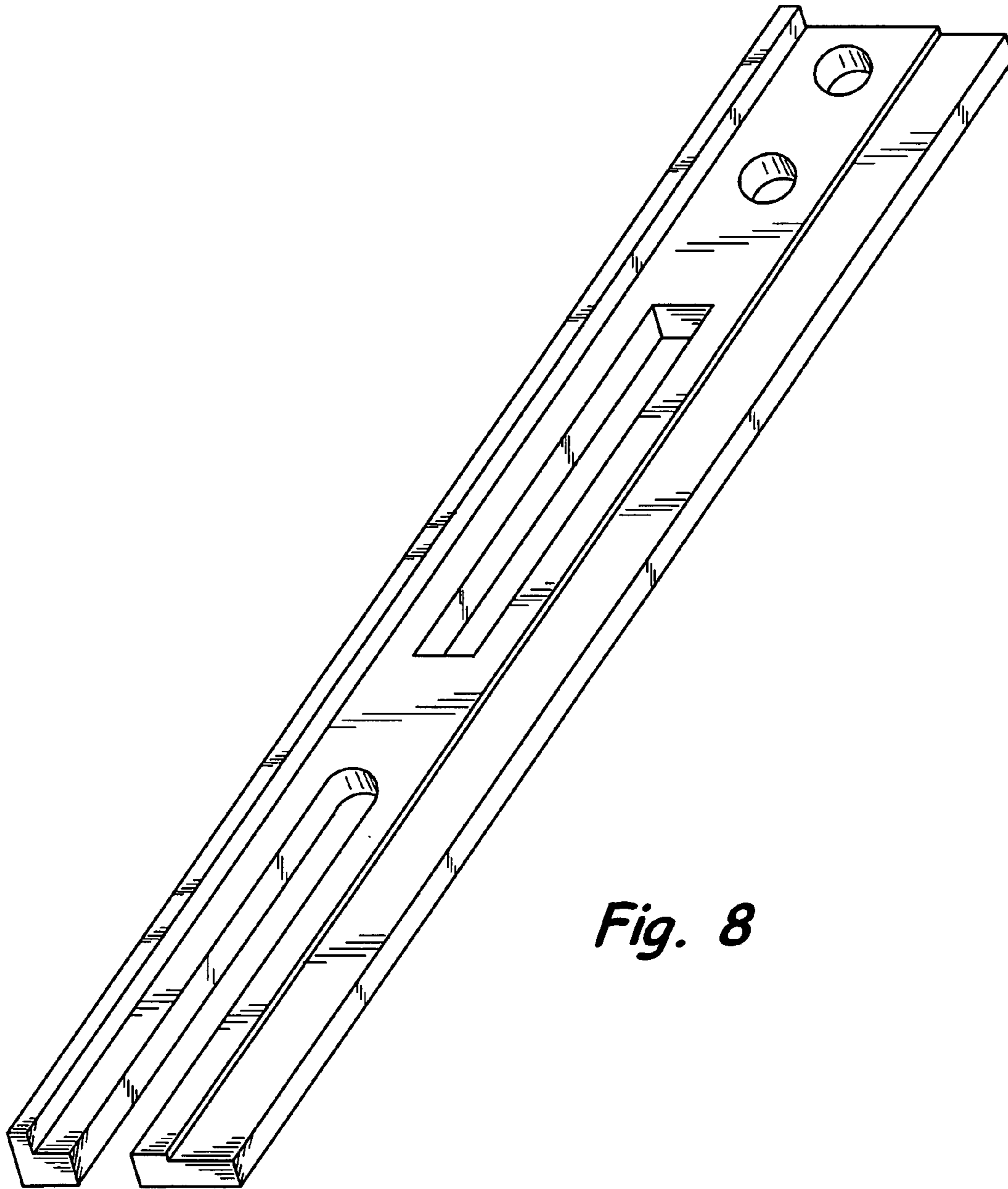
*Fig. 5*



*Fig. 6*



*Fig. 7*



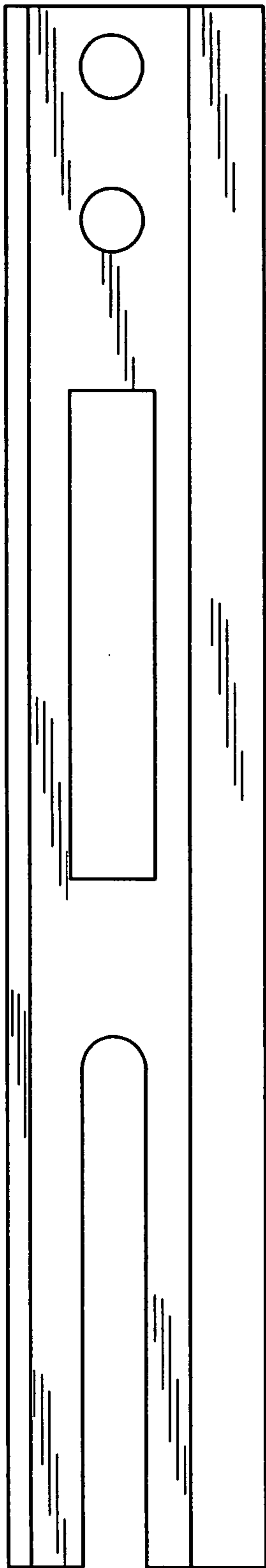
*Fig. 8*



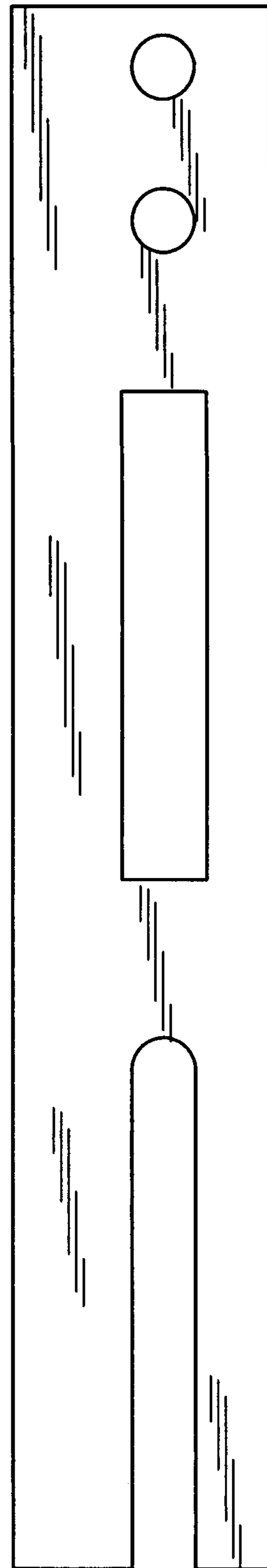
*Fig. 9*



*Fig. 10*



*Fig. 11*



*Fig. 12*



*Fig. 13*



*Fig. 14*