



US00D554161S

(12) **United States Design Patent** (10) **Patent No.:** **US D554,161 S**
Geise (45) **Date of Patent:** **** Oct. 30, 2007**

(54) **CAN COMPACTOR AND BIN**

(76) Inventor: **Gregory D. Geise**, W127 N6541 Blue Spruce Ct., Menomonee Falls, WI (US) 53051

(**) Term: **14 Years**

(21) Appl. No.: **29/230,879**

(22) Filed: **May 27, 2005**

(51) **LOC (8) Cl.** **15-09**

(52) **U.S. Cl.** **D15/123**

(58) **Field of Classification Search** D15/122, D15/123; 100/233, 245, 266, 278, 291-295
See application file for complete search history.

(56) **References Cited**

U.S. PATENT DOCUMENTS

5,058,498	A *	10/1991	Chen	100/288
D324,390	S *	3/1992	Byers	D15/123
5,363,759	A *	11/1994	D'Ambrosio	100/110
5,848,569	A *	12/1998	Maki et al.	D15/123
6,076,455	A	6/2000	Geise		

* cited by examiner

Primary Examiner—Antoine D. Davis

Assistant Examiner—Patricia Palasik

(74) *Attorney, Agent, or Firm*—Joseph S. Heino; Patrick M. Bergin

(57) **CLAIM**

The ornamental design for a can compactor and bin, as shown and described.

DESCRIPTION

FIG. 1 is a right side, top and front perspective view of the can compactor and bin showing my new design and showing the bin disengaged from the compactor;

FIG. 2 is right side, top and front perspective view of the can compactor and bin showing my new design and showing the bin engaged with the compactor;

FIG. 3 is a front elevational view thereof;

FIG. 4 is a rear elevational view thereof;

FIG. 5 is a right side elevational view thereof;

FIG. 6 is a top plan view thereof; and,

FIG. 7 is a bottom plan view thereof.

The bin is shown broken away to indicate indeterminate length.

1 Claim, 4 Drawing Sheets

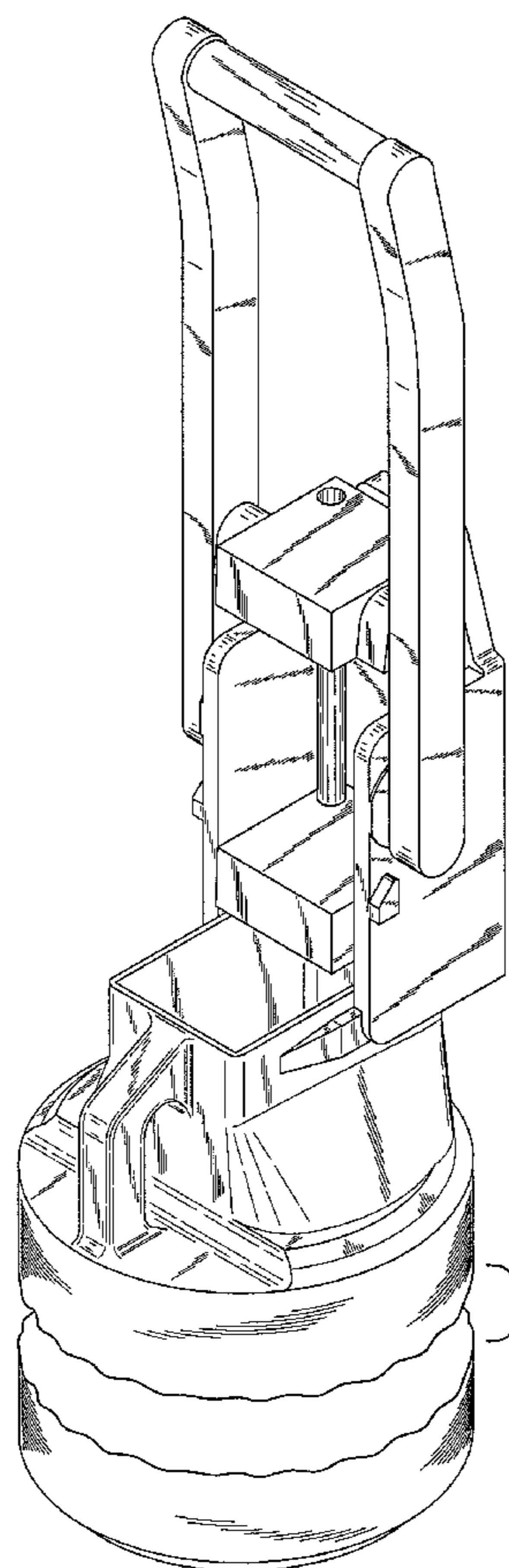


FIG. 1

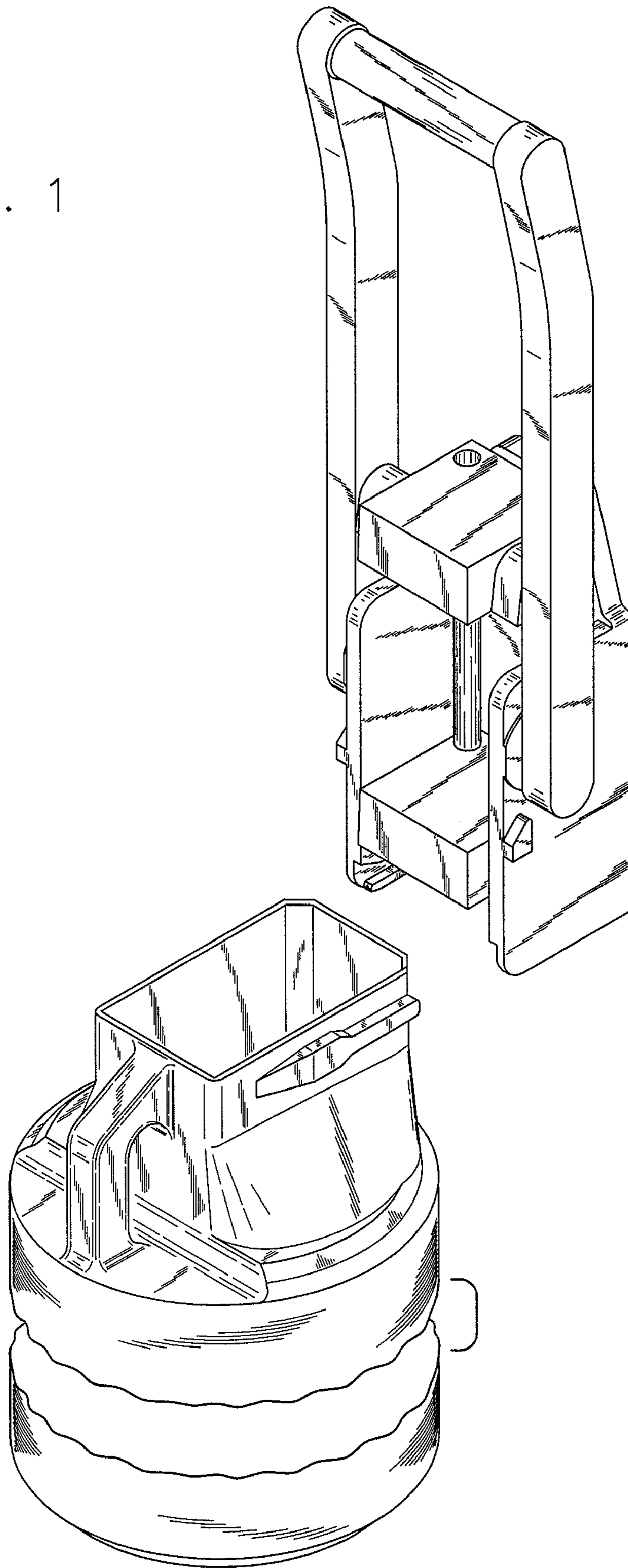


FIG. 2

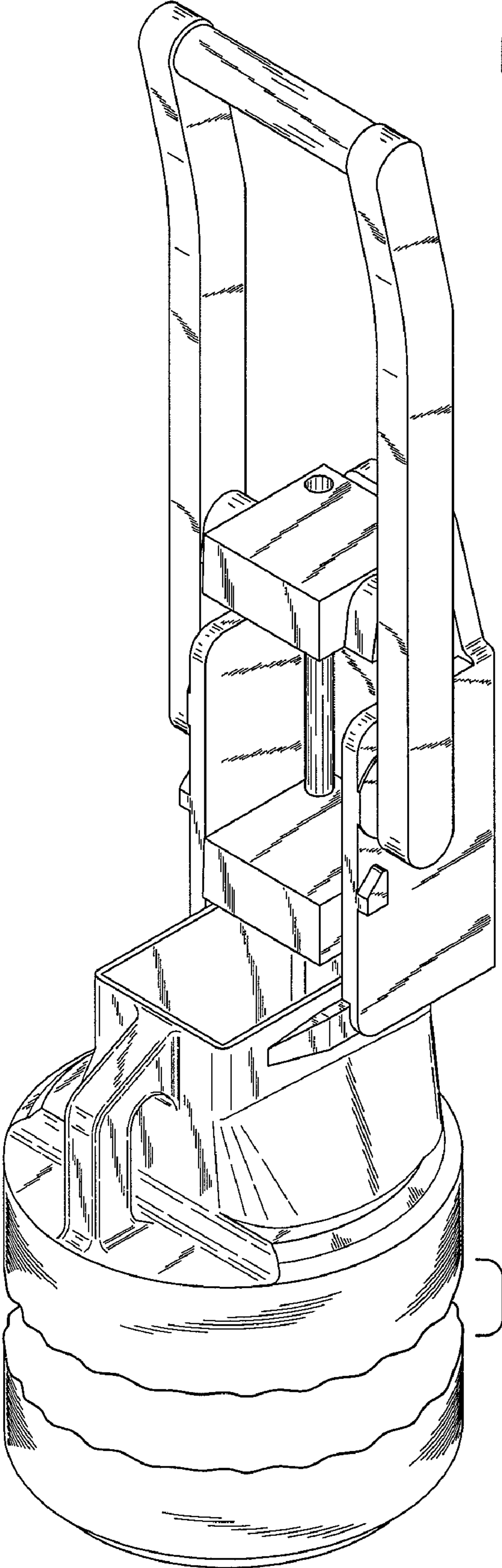


FIG. 3

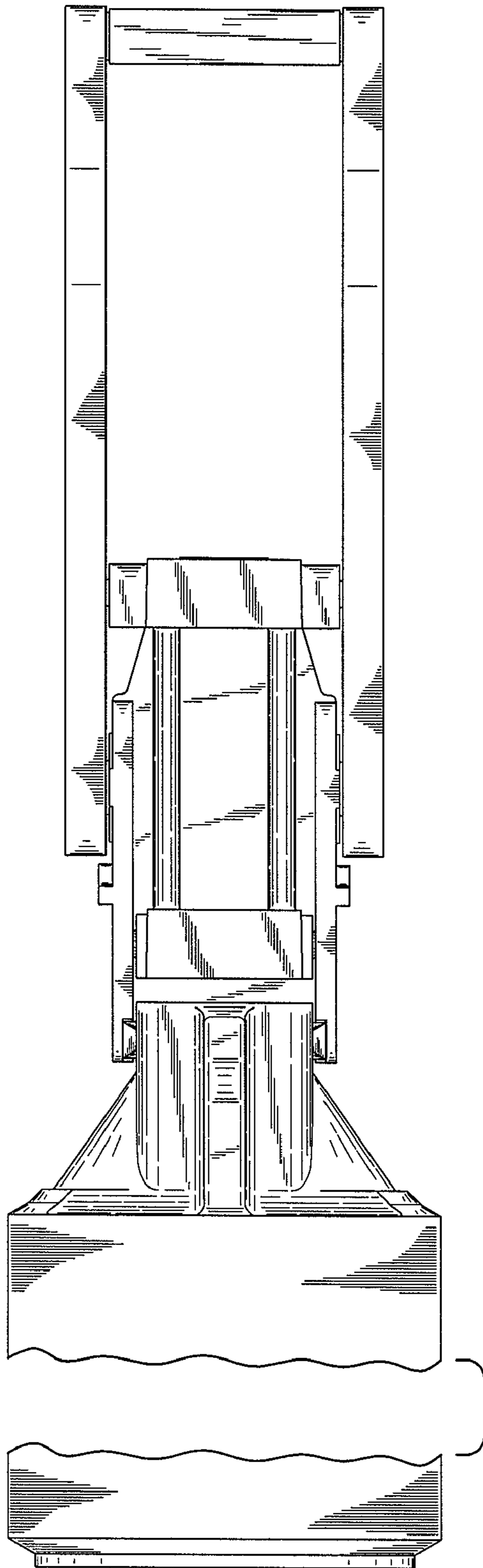


FIG. 4

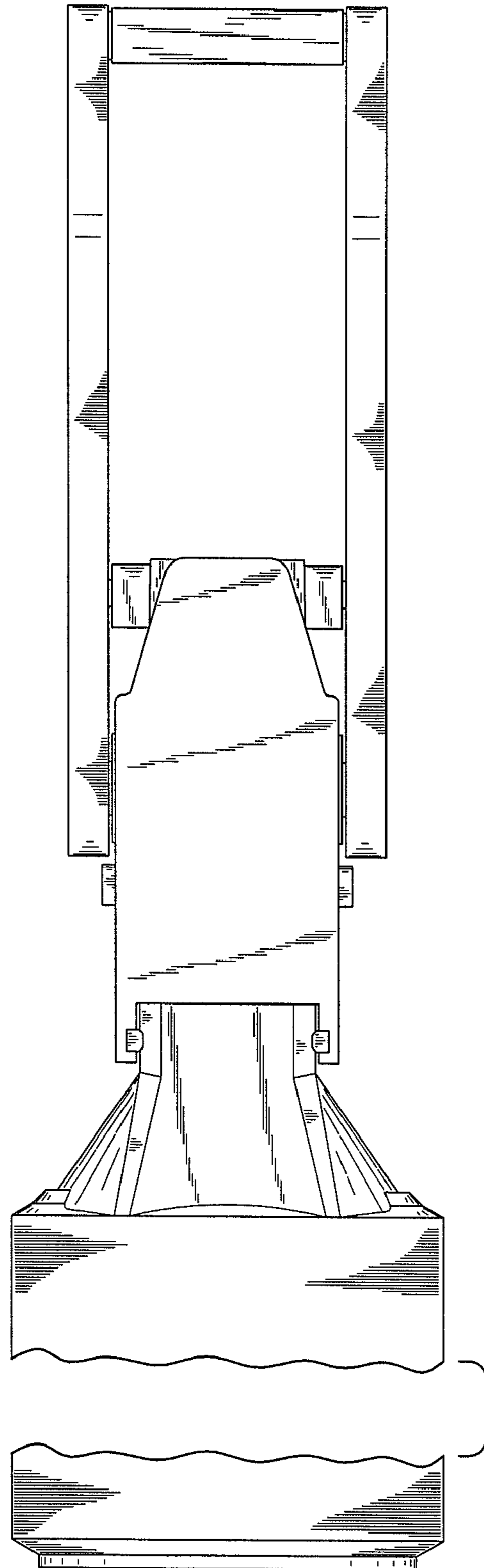


FIG. 5

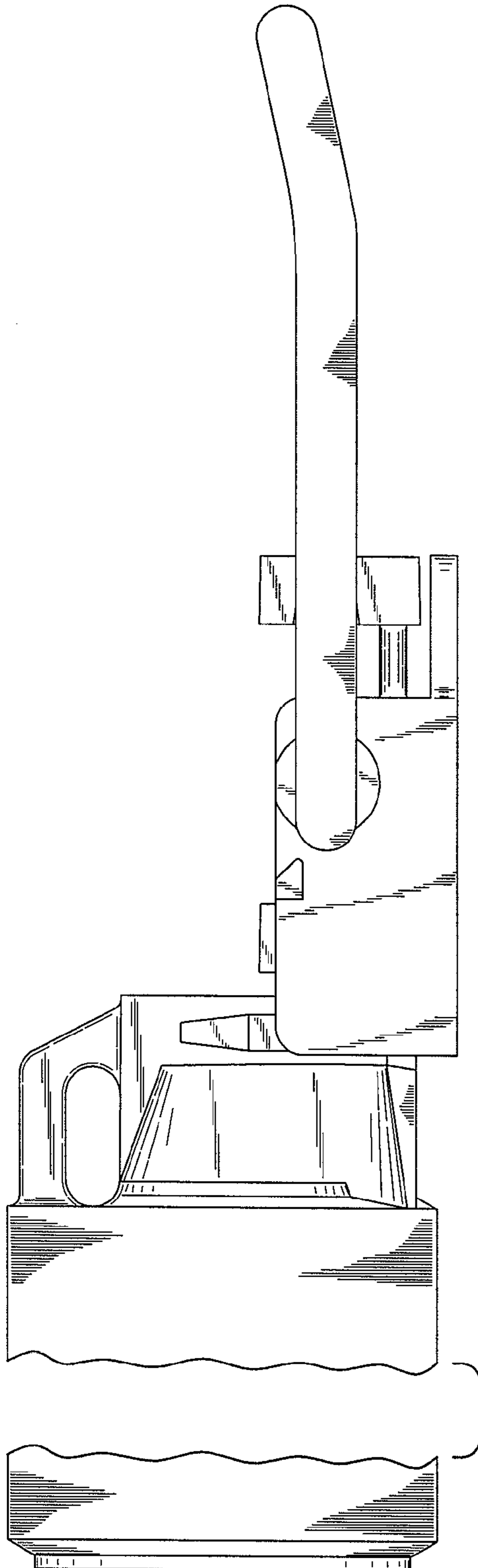


FIG. 6

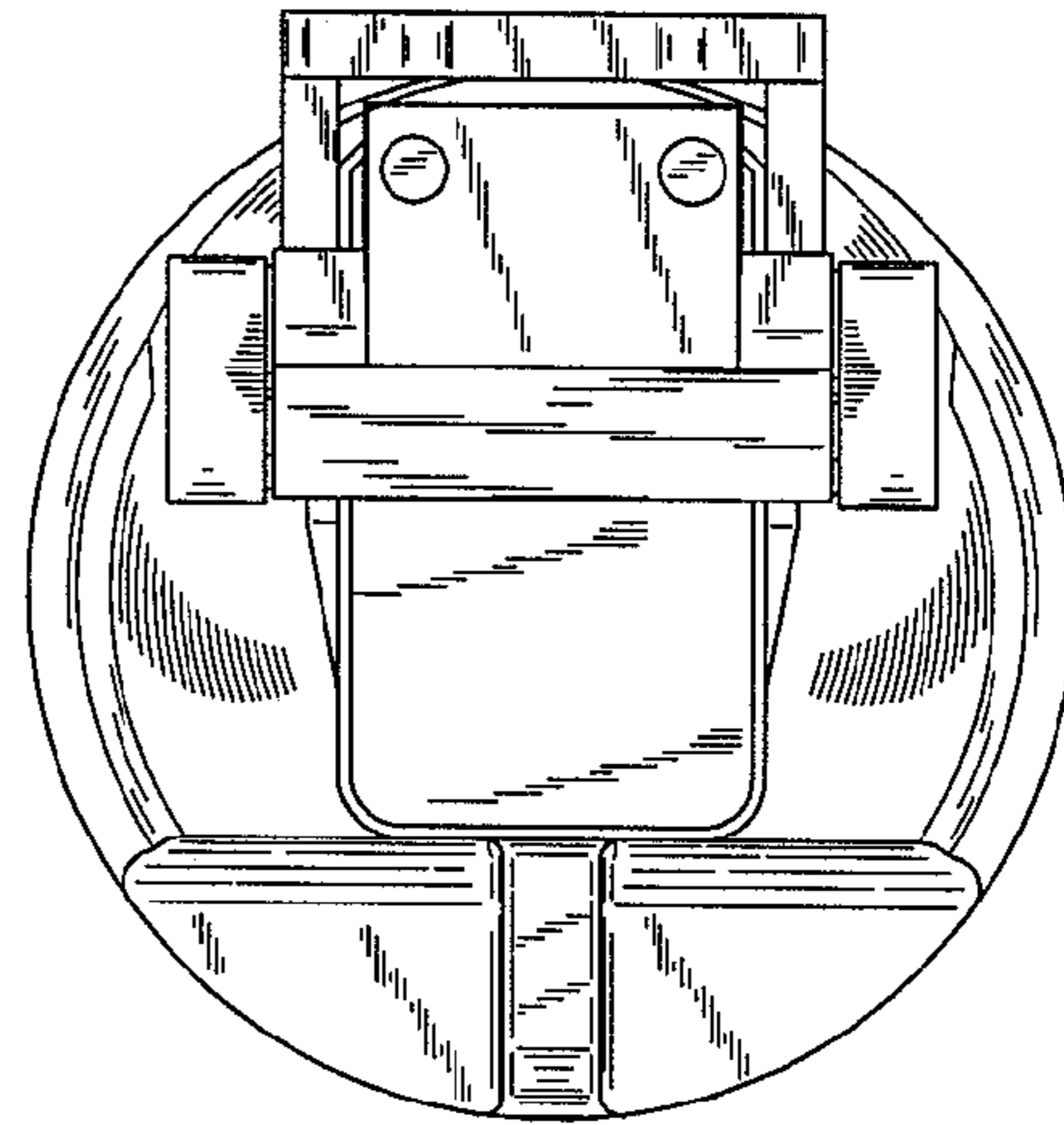


FIG. 7

