



US00D554160S

(12) **United States Design Patent** (10) **Patent No.:** **US D554,160 S**  
**Morrison et al.** (45) **Date of Patent:** **\*\* Oct. 30, 2007**

(54) **SHELF FOR REFRIGERATOR**

(75) Inventors: **Jasper Morrison**, London (GB); **Jeong Min Kim**, Seoul (KR); **Yun Ho Yang**, Seoul (KR)

(73) Assignee: **Samsung Electronics Co., Ltd.**, Suwon (KR)

(\*\*) Term: **14 Years**

(21) Appl. No.: **29/267,671**

(22) Filed: **Oct. 19, 2006**

(51) **LOC (8) Cl.** ..... **15-07**

(52) **U.S. Cl.** ..... **D15/89**

(58) **Field of Classification Search** ..... D15/79,  
D15/81, 85-87, 89; 62/440-449, 457, 246-255,  
62/3.1, 3.6; 312/116, 247, 270.3, 319, 400-408;  
D32/55; D6/320, 465, 514, 566; D7/409,  
D7/704

See application file for complete search history.

(56) **References Cited**

**U.S. PATENT DOCUMENTS**

D418,646 S \* 1/2000 Hampshire ..... D32/55  
D426,749 S \* 6/2000 Barnes et al. .... D7/409  
D473,359 S \* 4/2003 Joseph ..... D32/55  
D509,103 S \* 9/2005 Shin ..... D7/409  
D509,406 S \* 9/2005 Freese et al. .... D7/409  
D510,839 S \* 10/2005 Shin ..... D7/409  
D512,731 S \* 12/2005 Grobleben ..... D15/89  
D516,593 S \* 3/2006 Thomas ..... D15/89

D528,877 S \* 9/2006 Goodman et al. .... D7/704  
D532,655 S \* 11/2006 Elwell et al. .... D7/409  
D542,065 S \* 5/2007 Snell ..... D6/514

\* cited by examiner

*Primary Examiner*—Stella Reid

*Assistant Examiner*—Shanda C. Hill

(74) *Attorney, Agent, or Firm*—Ladas and Parry LLP

(57) **CLAIM**

We claim the ornamental design for a shelf for refrigerator, as shown and described.

**DESCRIPTION**

FIG. 1 is a perspective view as seen from the top, front, and left side of a shelf for refrigerator showing our new design;

FIG. 2 is a front elevational view thereof;

FIG. 3 is a rear elevational view thereof;

FIG. 4 is a left side elevational view thereof;

FIG. 5 is a right side elevational view thereof;

FIG. 6 is a top plan view thereof;

FIG. 7 is a bottom plan view thereof; and,

FIG. 8 is a perspective view as seen from the top, front, and left side of the shelf for refrigerator shown in FIG. 1 shown in use in a refrigerator.

The broken lines shown in the drawing disclosure are for illustrative purposes only and form no part of the claimed design.

**1 Claim, 5 Drawing Sheets**

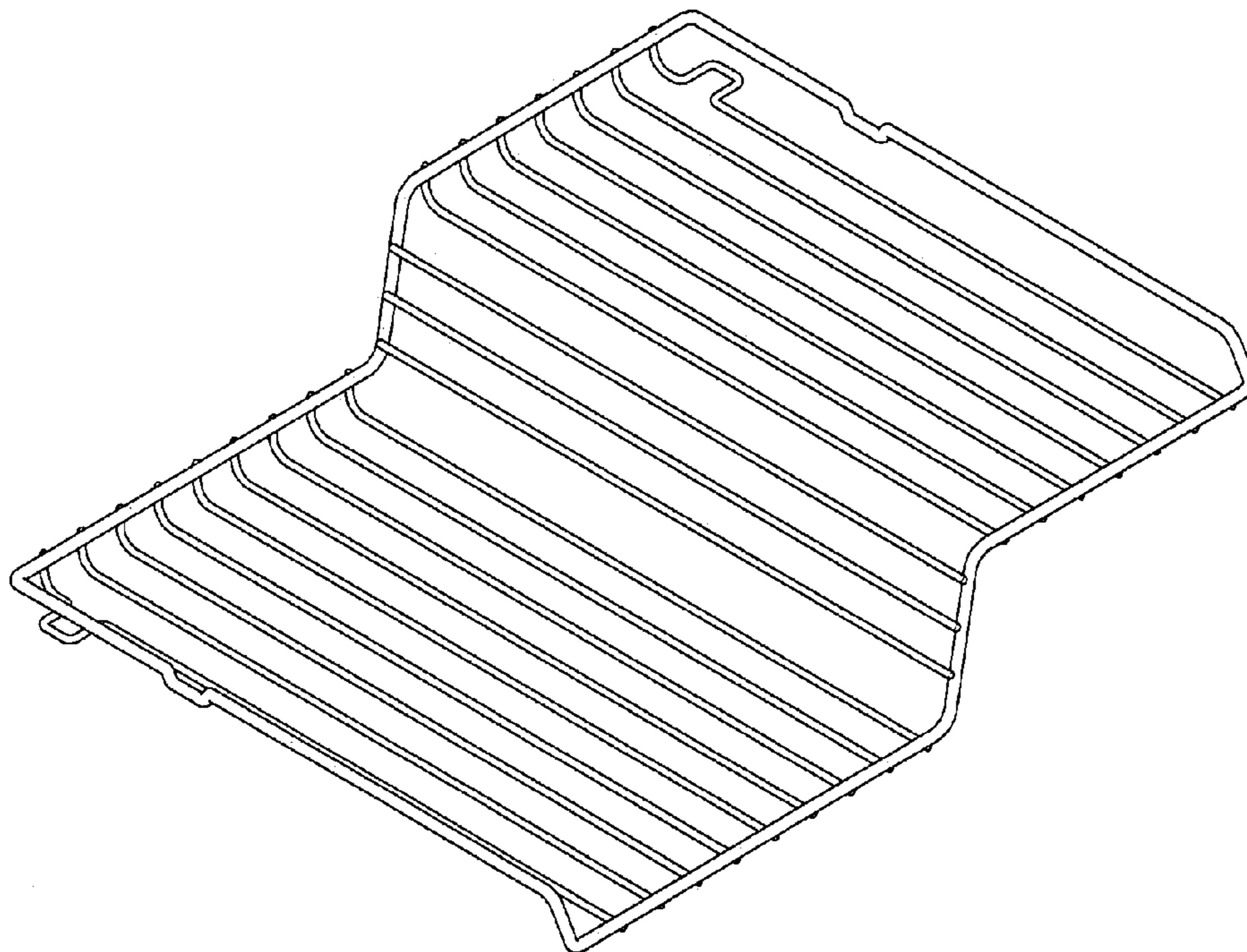


FIG. 1

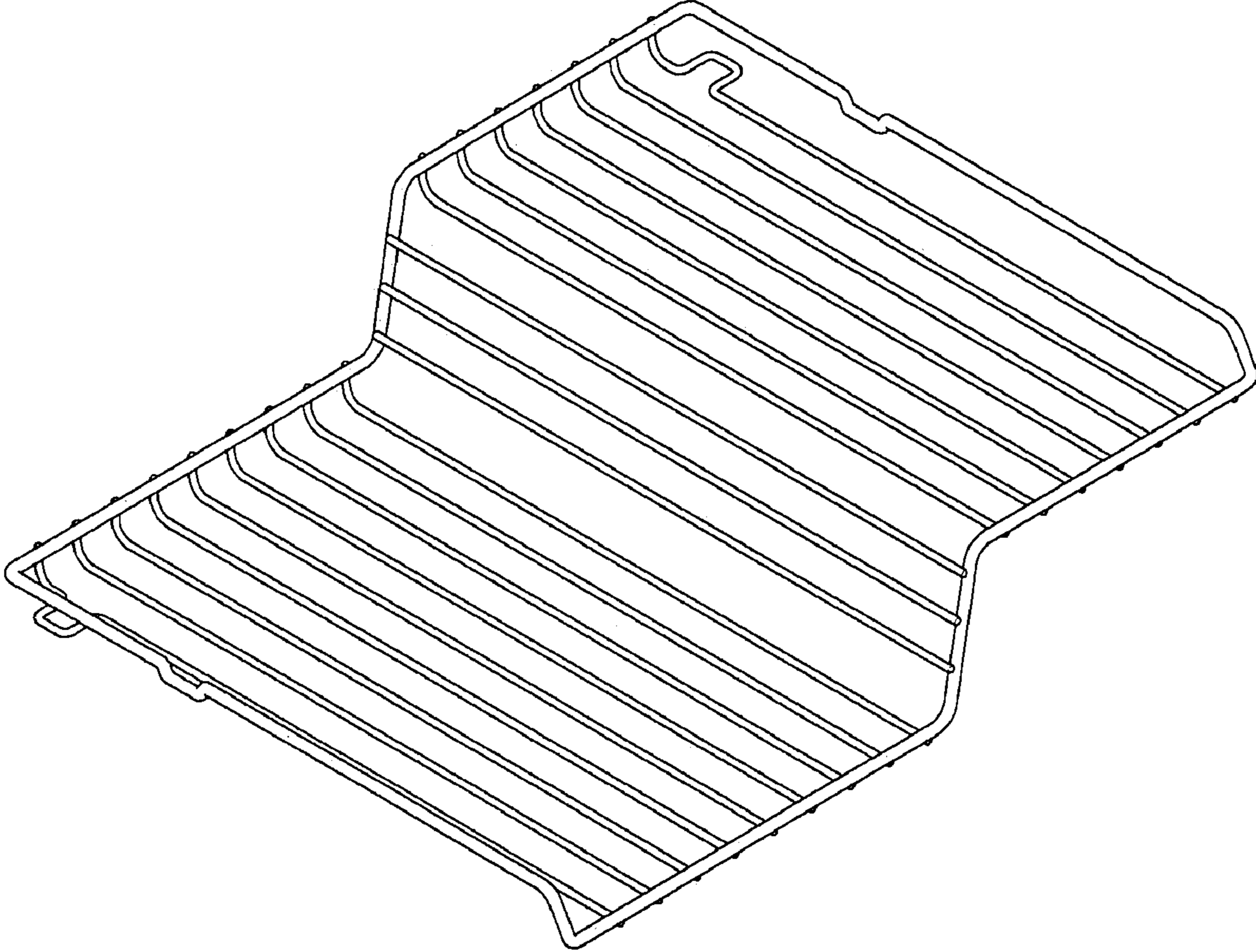


FIG. 2

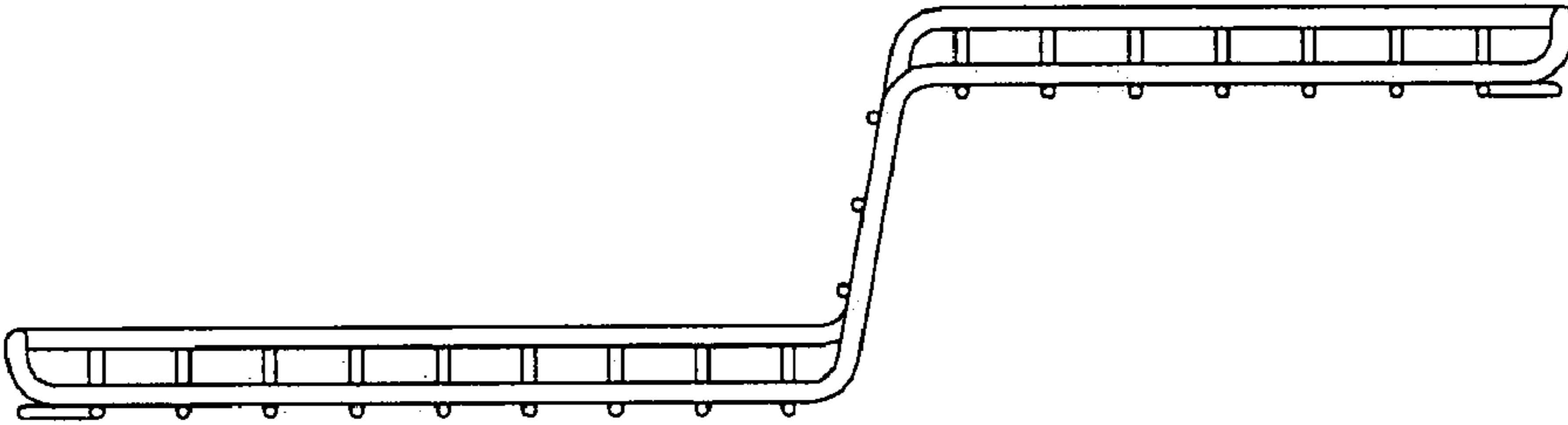


FIG. 3

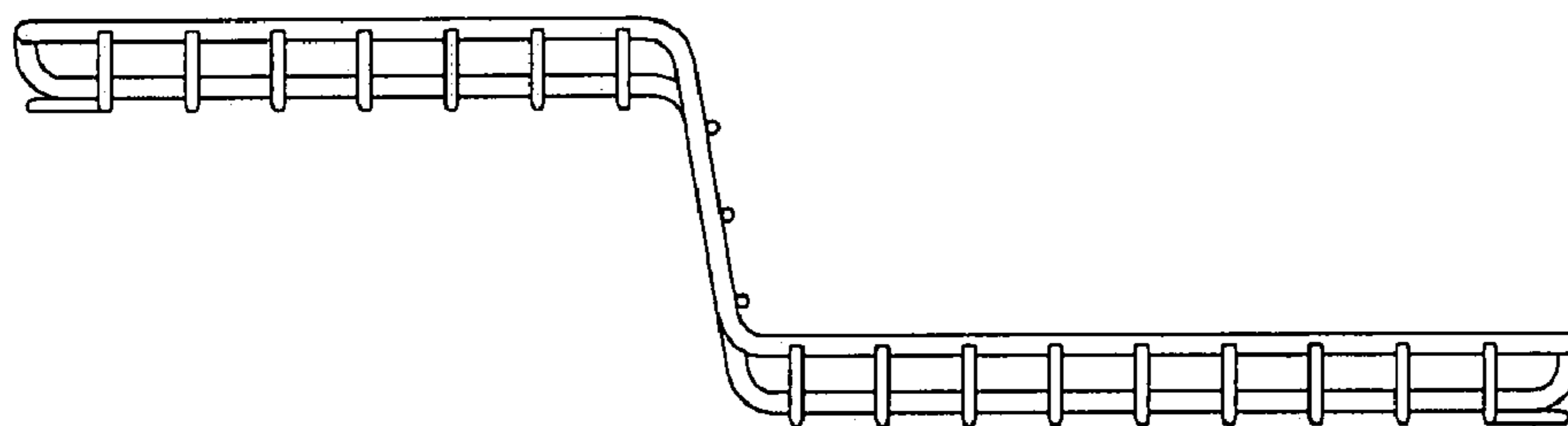


FIG. 4

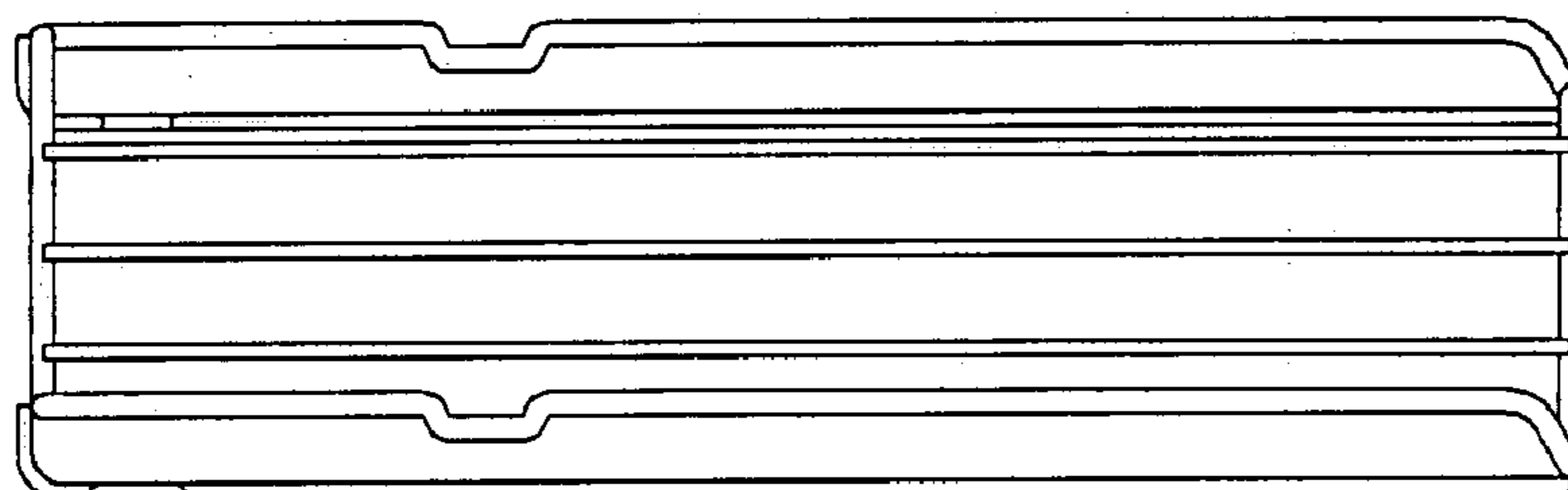
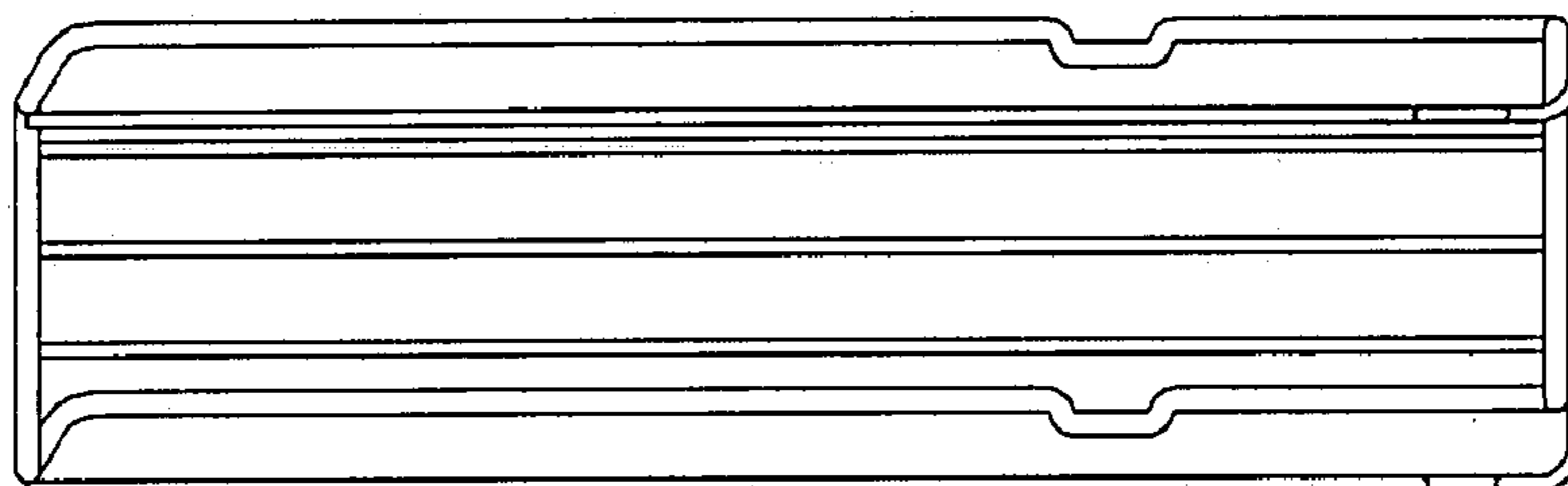
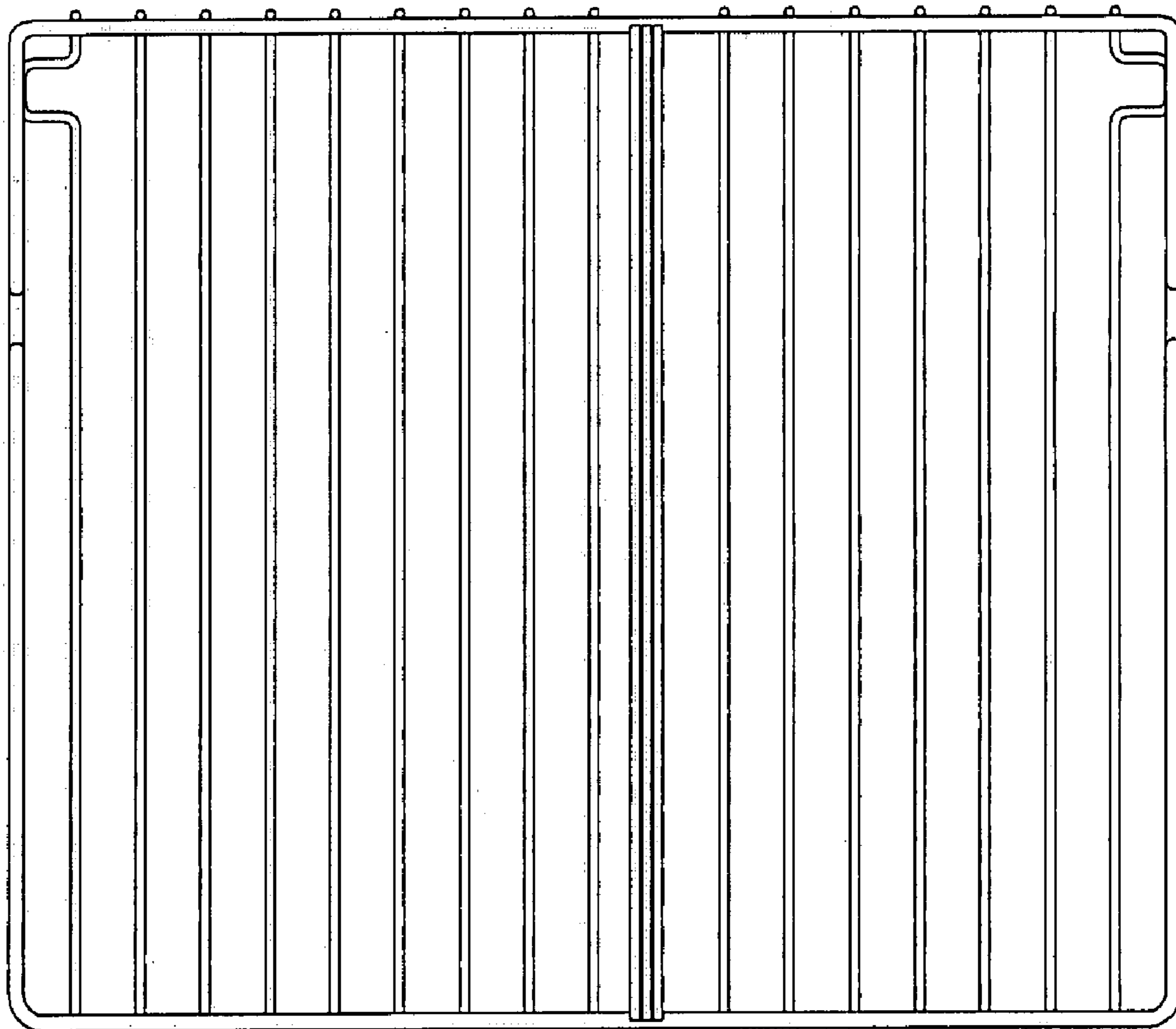


FIG. 5



**FIG. 6**



**FIG. 7**

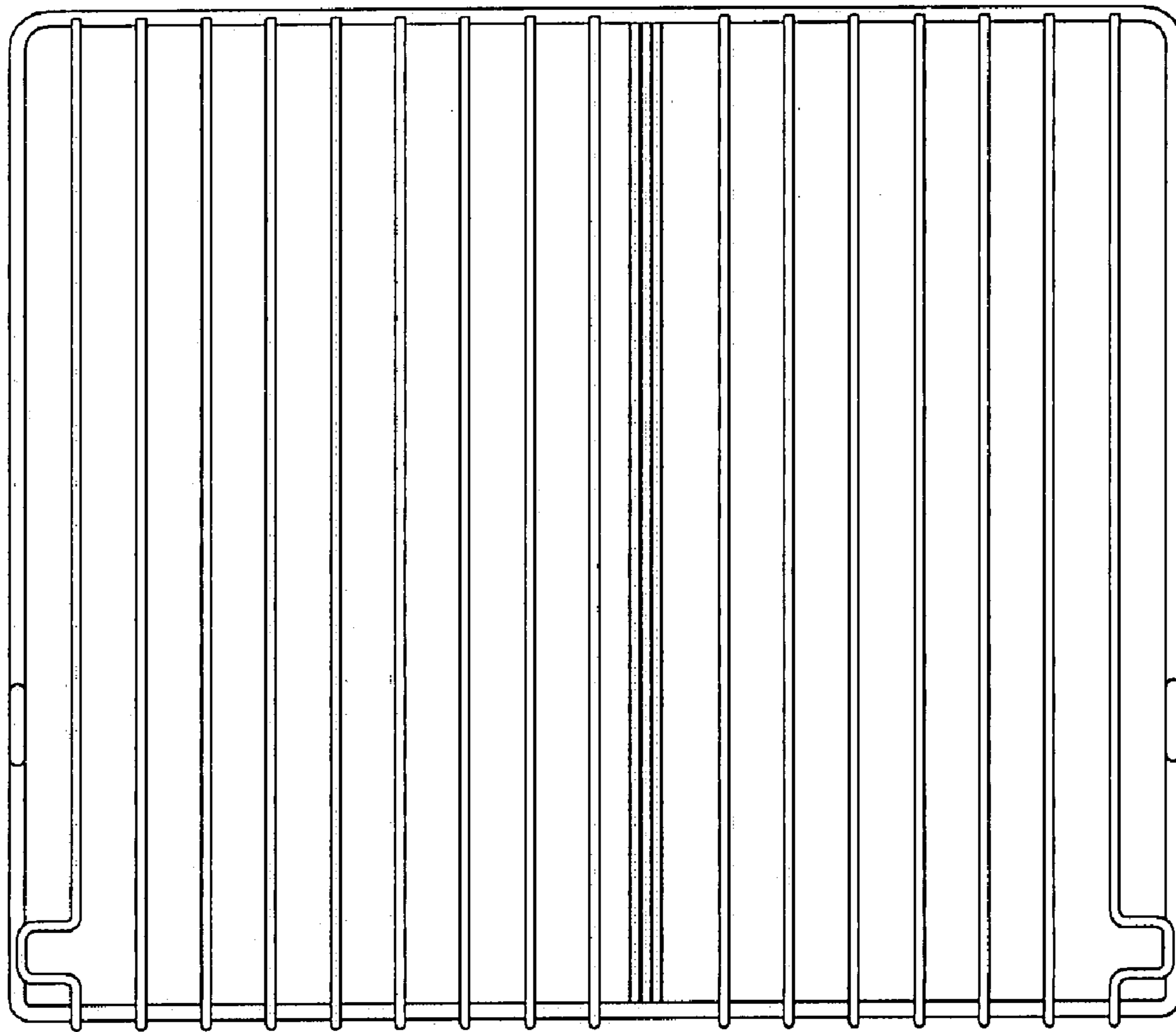




FIG. 8

