



US00D554158S

(12) **United States Design Patent**  
**Ewringmann**

(10) **Patent No.:** **US D554,158 S**

(45) **Date of Patent:** **\*\* Oct. 30, 2007**

(54) **ROOF ASSEMBLY FOR ROAD CONSTRUCTION MACHINE**

(75) Inventor: **Ulrich Ewringmann,**  
Taufkirchen-Potzham (DE)

(73) Assignee: **Joseph Voegele AG,** Mannheim (DE)

(\*\*) Term: **14 Years**

(21) Appl. No.: **29/269,037**

(22) Filed: **Nov. 16, 2006**

(51) **LOC (8) Cl.** ..... **15-03**

(52) **U.S. Cl.** ..... **D15/30**

(58) **Field of Classification Search** ..... D15/10,  
D15/17, 22-26, 28, 30, 33; D34/37; 296/102,  
296/215, 224, 225, 187.1, 210, 187.11, 187.12,  
296/187.13, 193.12, 190.01, 190.08, 216.02;  
135/88.01; 49/501

See application file for complete search history.

(56) **References Cited**

**U.S. PATENT DOCUMENTS**

|                |         |                  |       |            |
|----------------|---------|------------------|-------|------------|
| D184,043 S *   | 12/1958 | Dodge            | ..... | D15/30     |
| D210,658 S *   | 4/1968  | Lazzeroni        | ..... | D15/130    |
| 3,561,816 A *  | 2/1971  | Koch             | ..... | 296/102    |
| 3,712,664 A *  | 1/1973  | May              | ..... | 296/102    |
| D230,297 S *   | 2/1974  | Purcell et al.   | ..... | D15/30     |
| D275,199 S *   | 8/1984  | Schmidt et al.   | ..... | D15/30     |
| 4,721,031 A *  | 1/1988  | Nakata et al.    | ..... | 454/121    |
| D306,450 S *   | 3/1990  | Funabashi et al. | ..... | D15/30     |
| D317,011 S *   | 5/1991  | Boddin et al.    | ..... | D15/30     |
| D329,435 S *   | 9/1992  | Katoh et al.     | ..... | D15/23     |
| D348,553 S *   | 7/1994  | Martin, Jr.      | ..... | D34/37     |
| 5,695,238 A *  | 12/1997 | Calamari et al.  | ..... | 296/210    |
| 6,189,955 B1 * | 2/2001  | Fryk et al.      | ..... | 296/190.08 |
| 6,688,682 B2 * | 2/2004  | Arthur et al.    | ..... | 296/216.02 |
| D507,281 S *   | 7/2005  | Komatsu et al.   | ..... | D15/30     |
| D507,800 S *   | 7/2005  | Kuwae et al.     | ..... | D15/30     |

\* cited by examiner

*Primary Examiner*—Mitchell Siegel  
*Assistant Examiner*—Mark Goodwin

(74) *Attorney, Agent, or Firm*—Darby & Darby

(57) **CLAIM**

The ornamental design for a roof assembly for road construction machine, as shown and described.

**DESCRIPTION**

FIG. 1 is a perspective view of a roof assembly for road construction machine showing my new design in a closed wing configuration;

FIG. 2 is a left elevation view of the roof assembly for road construction machine of FIG. 1;

FIG. 3 is a front elevation view of the roof assembly for road construction machine of FIG. 1;

FIG. 4 is a right elevation view of the roof assembly for road construction machine of FIG. 1;

FIG. 5 is a top plan view of the roof assembly for road construction machine of FIG. 1;

FIG. 6 is a bottom plan view of the roof assembly for road construction machine of FIG. 1;

FIG. 7 is a rear elevation view of the roof assembly for road construction machine of FIG. 1;

FIG. 8 is a perspective view of a roof assembly for road construction machine showing my new design in an open wing configuration;

FIG. 9 is a left elevation view of the roof assembly for road construction machine of FIG. 8;

FIG. 10 is a front elevation view of the roof assembly for road construction machine of FIG. 8;

FIG. 11 is a right elevation view of the roof assembly for road construction machine of FIG. 8;

FIG. 12 is a top plan view of the roof assembly for road construction machine of FIG. 8;

FIG. 13 is a bottom plan view of the roof assembly for road construction machine of FIG. 8; and,

FIG. 14 is a rear elevation view of the roof assembly for road construction machine of FIG. 8.

**1 Claim, 8 Drawing Sheets**

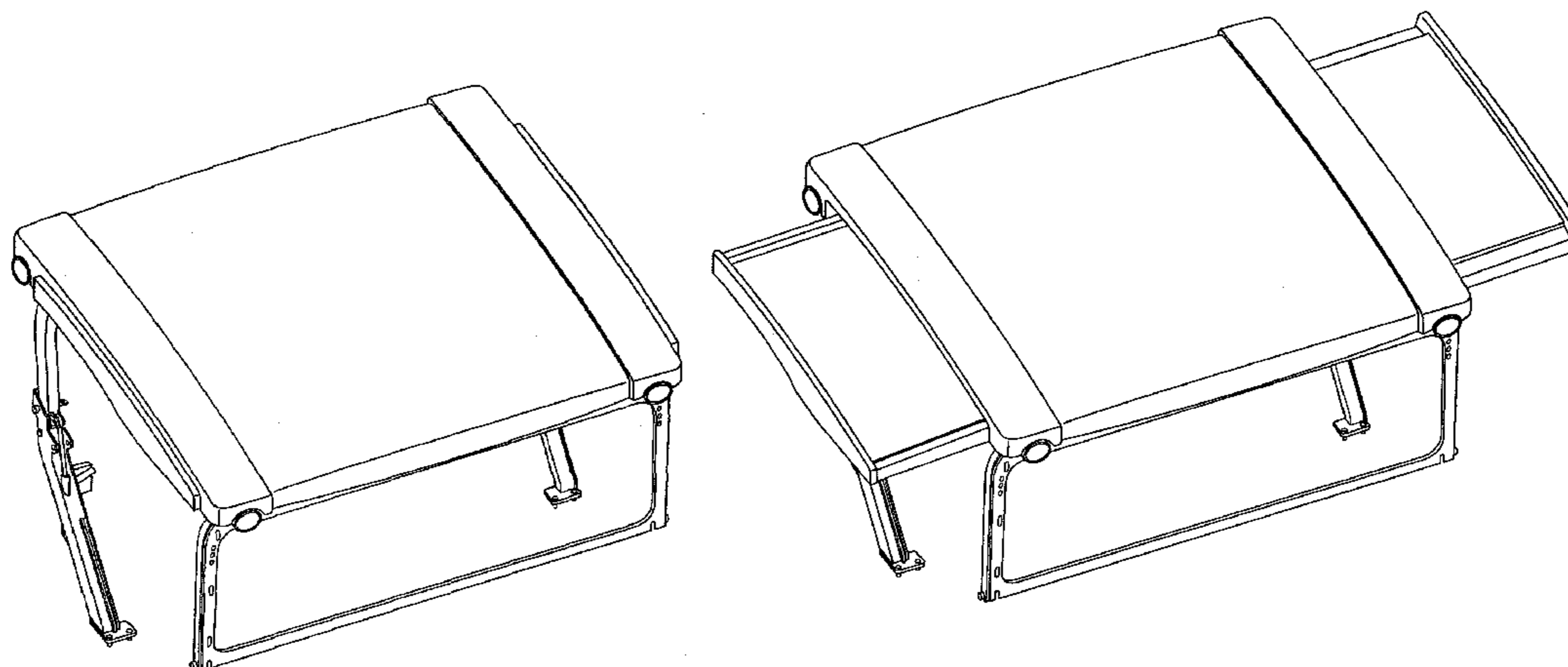


FIG. 1

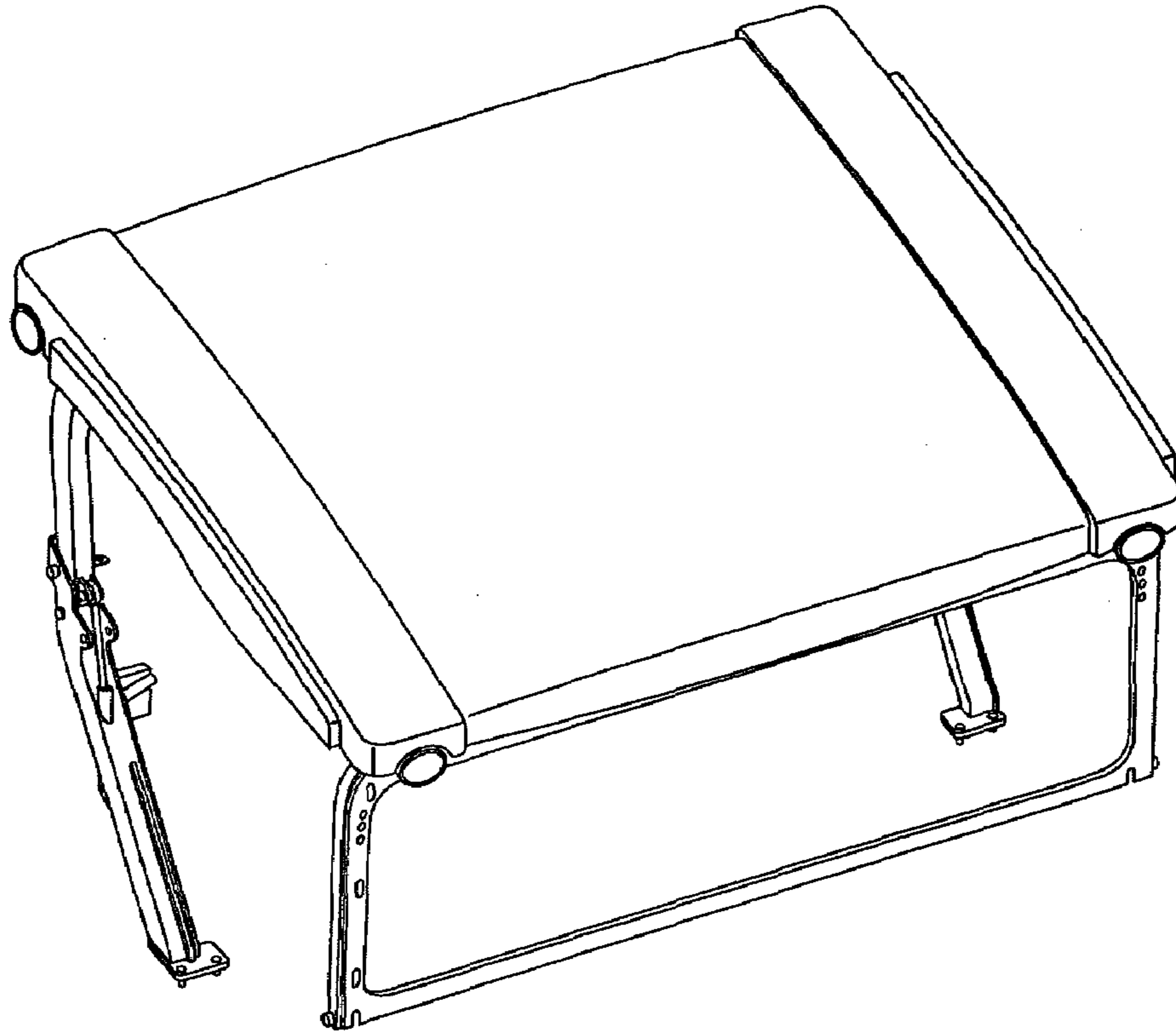
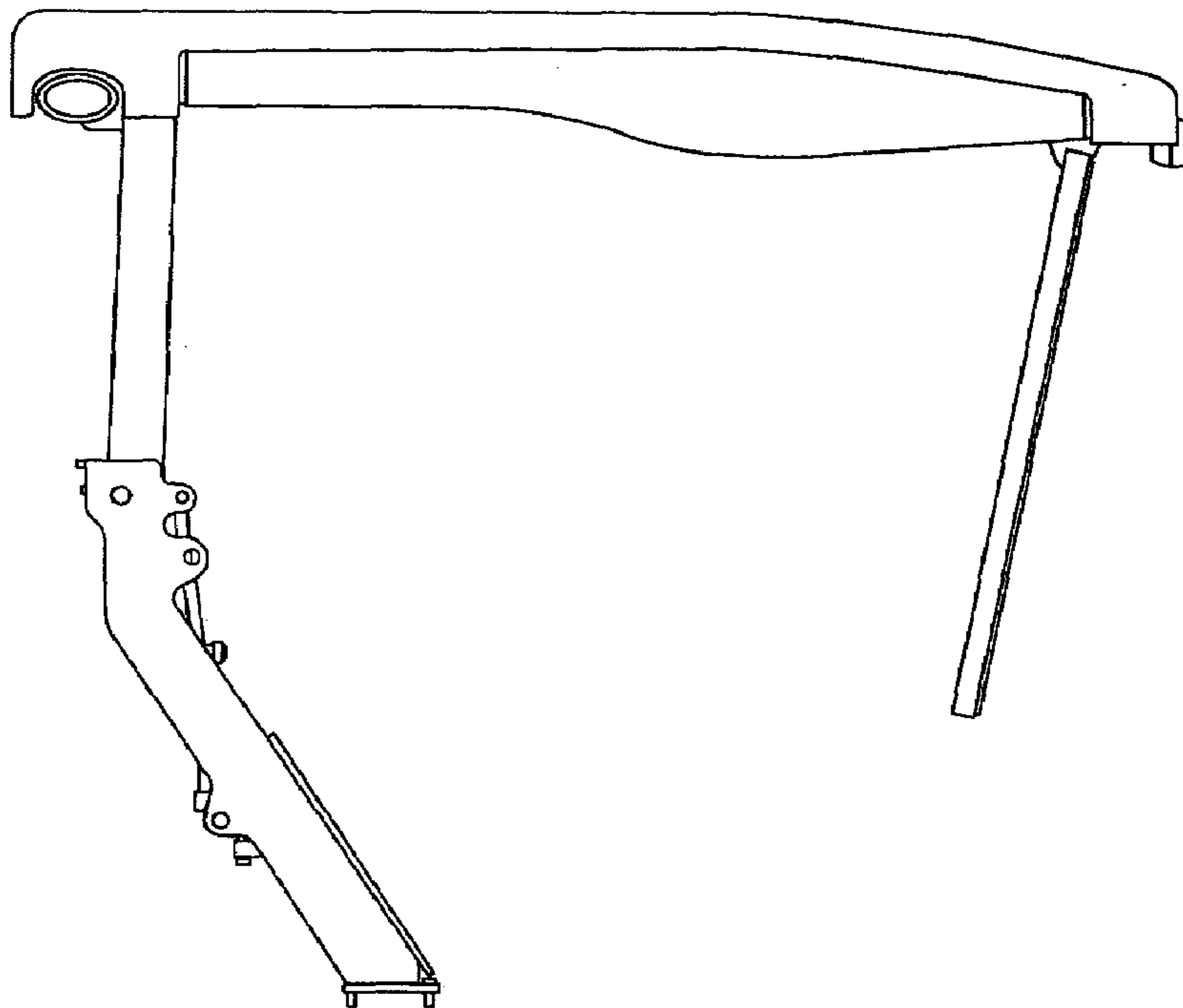
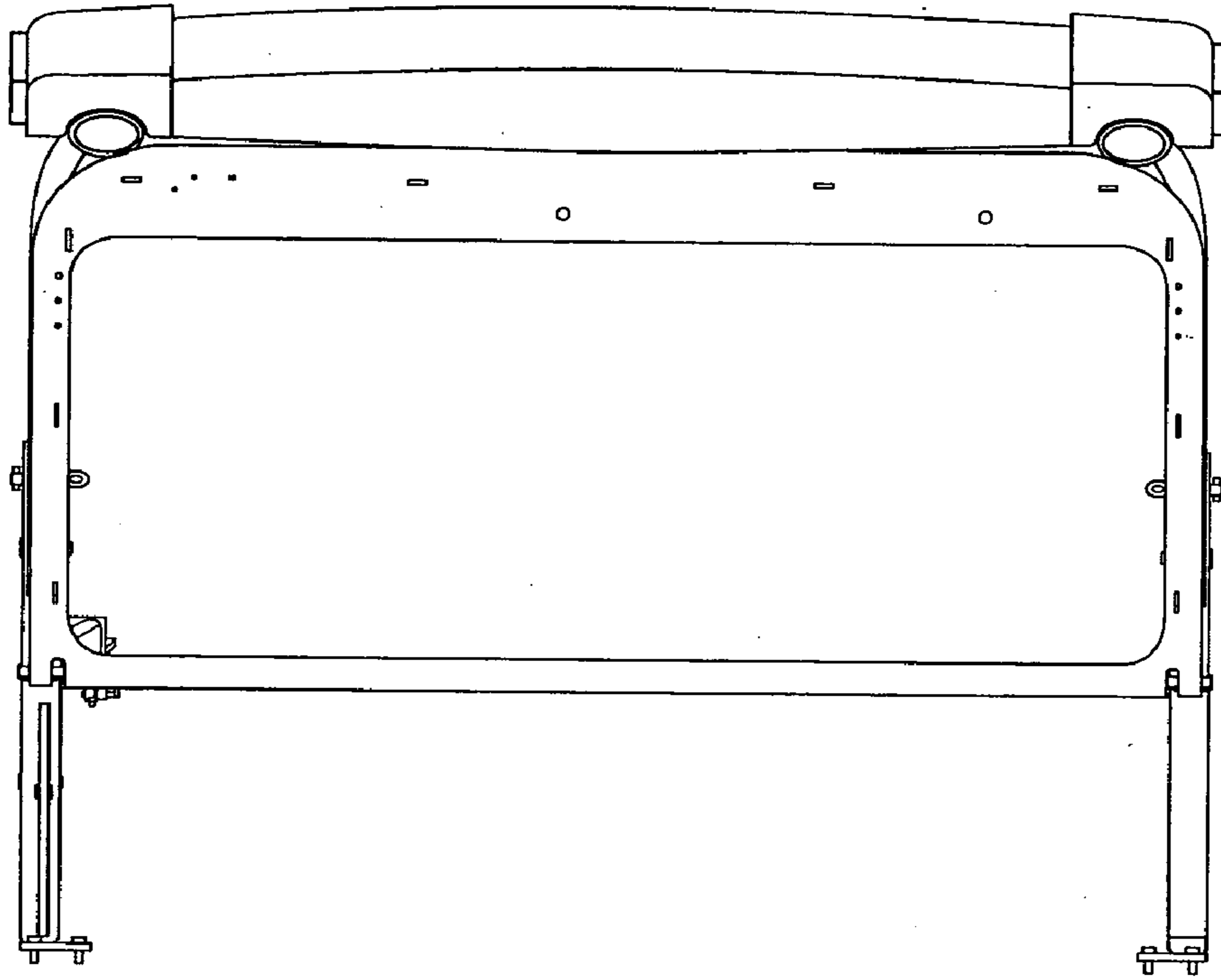


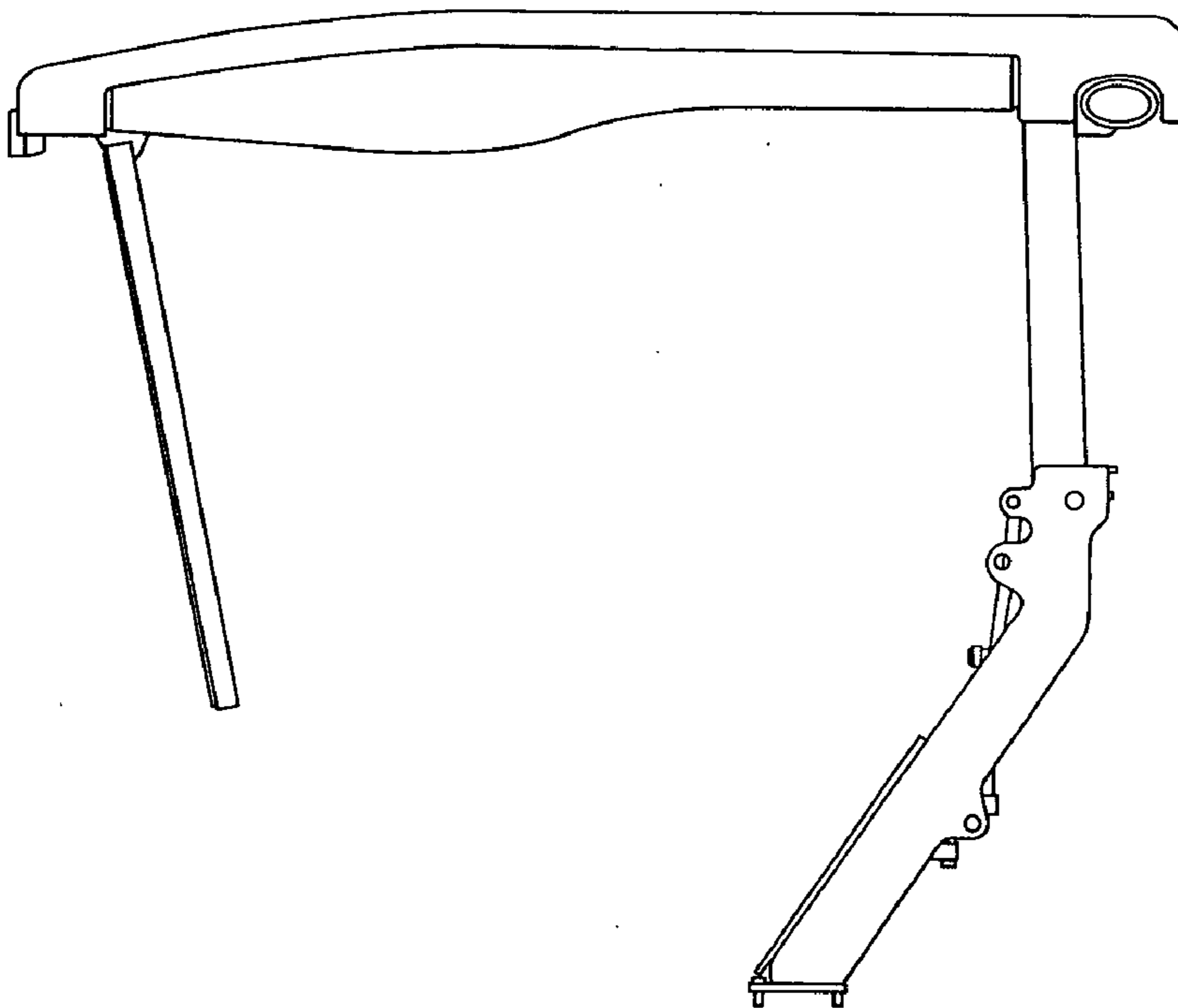
FIG. 2



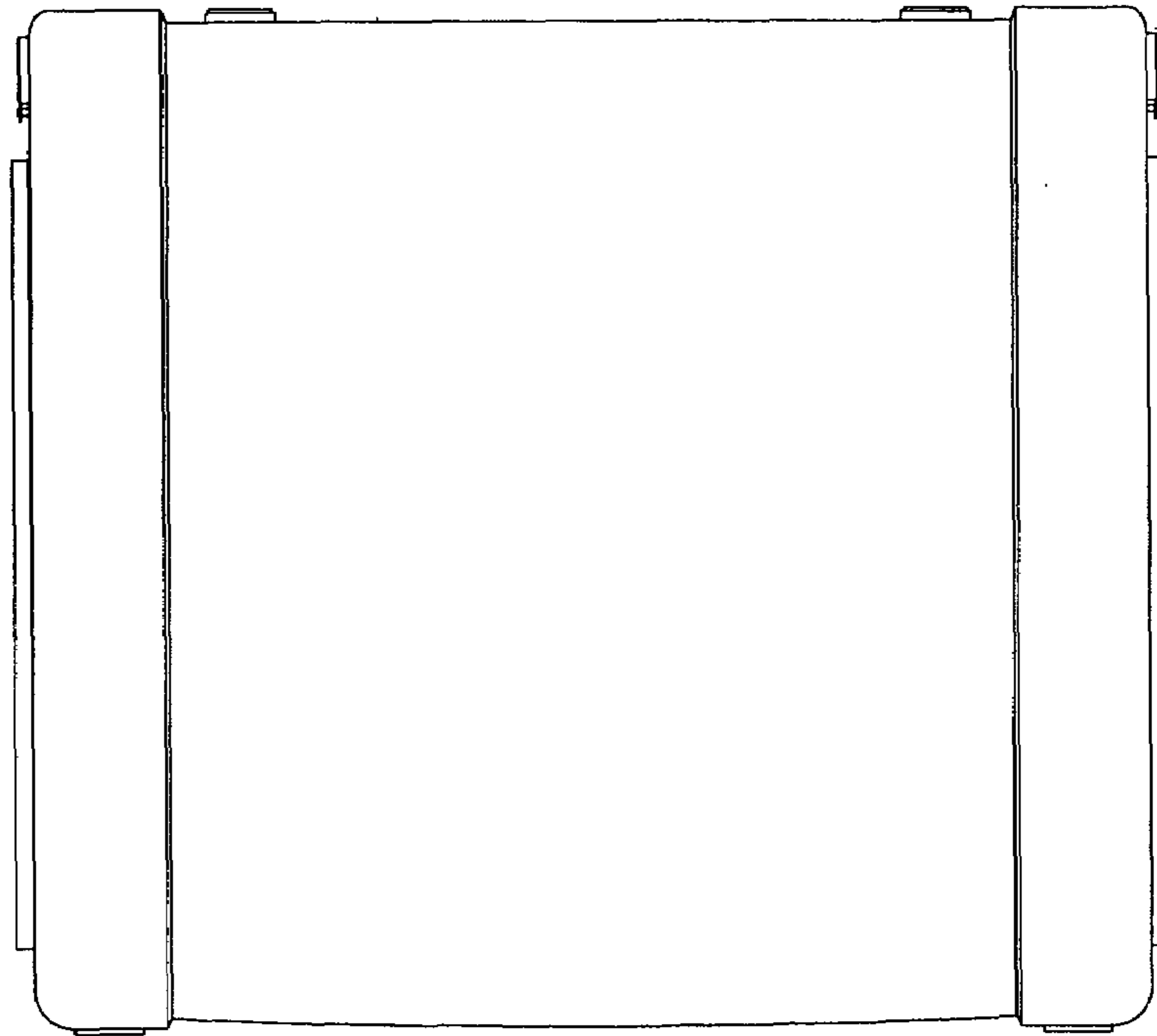
**Fig. 3**



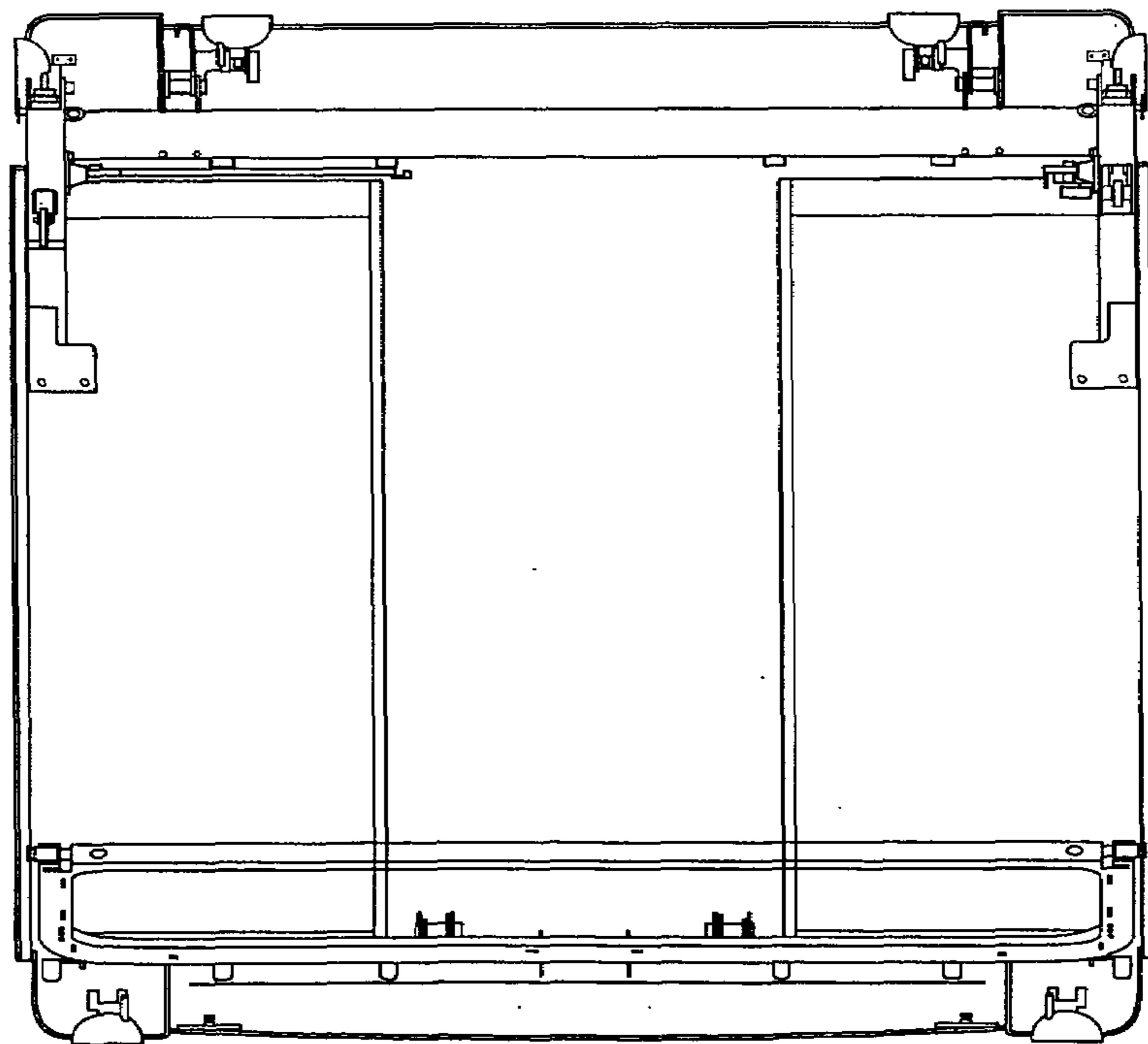
**Fig. 4**



**Fig. 5**



**Fig. 6**



**FIG. 7**

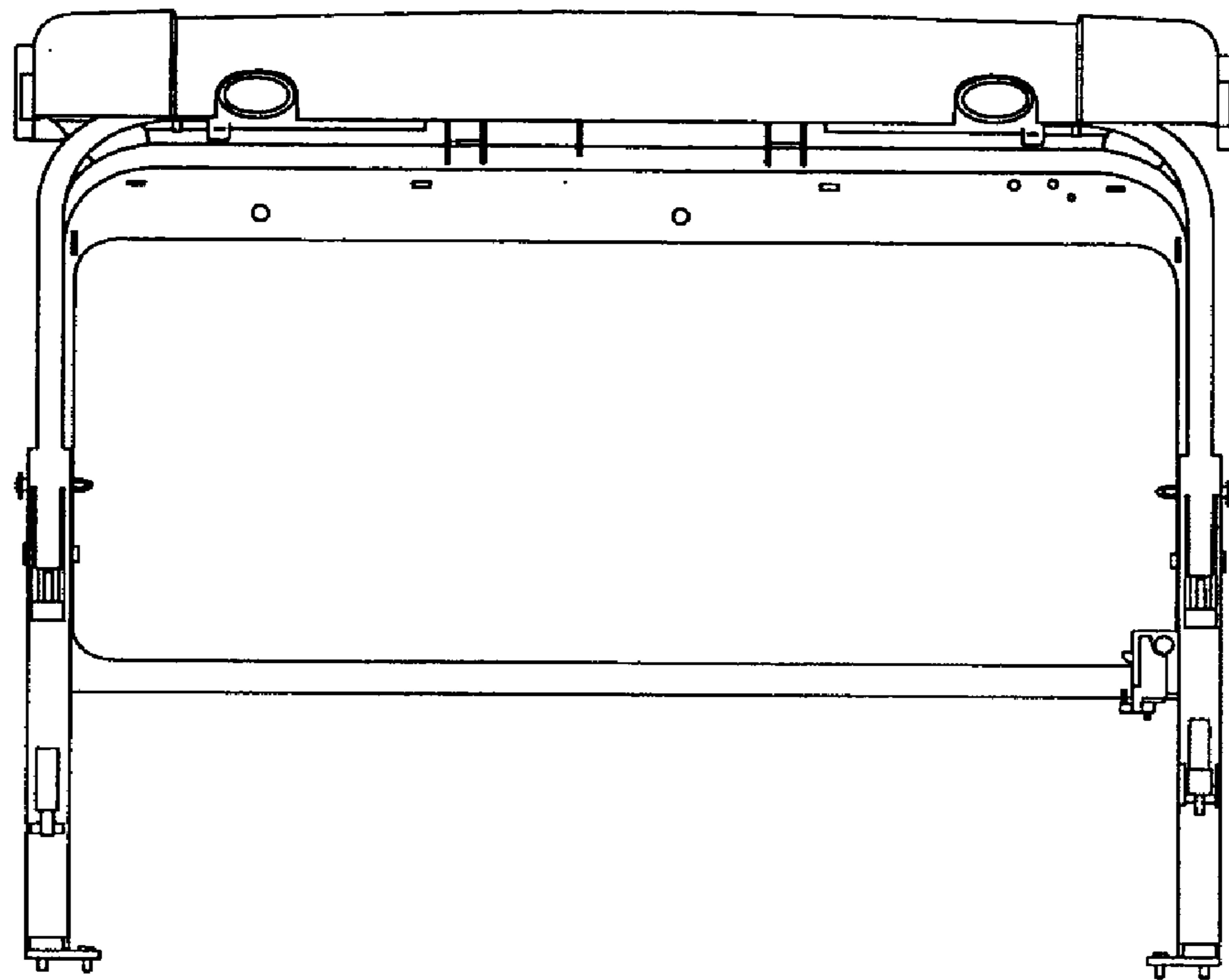


FIG. 8

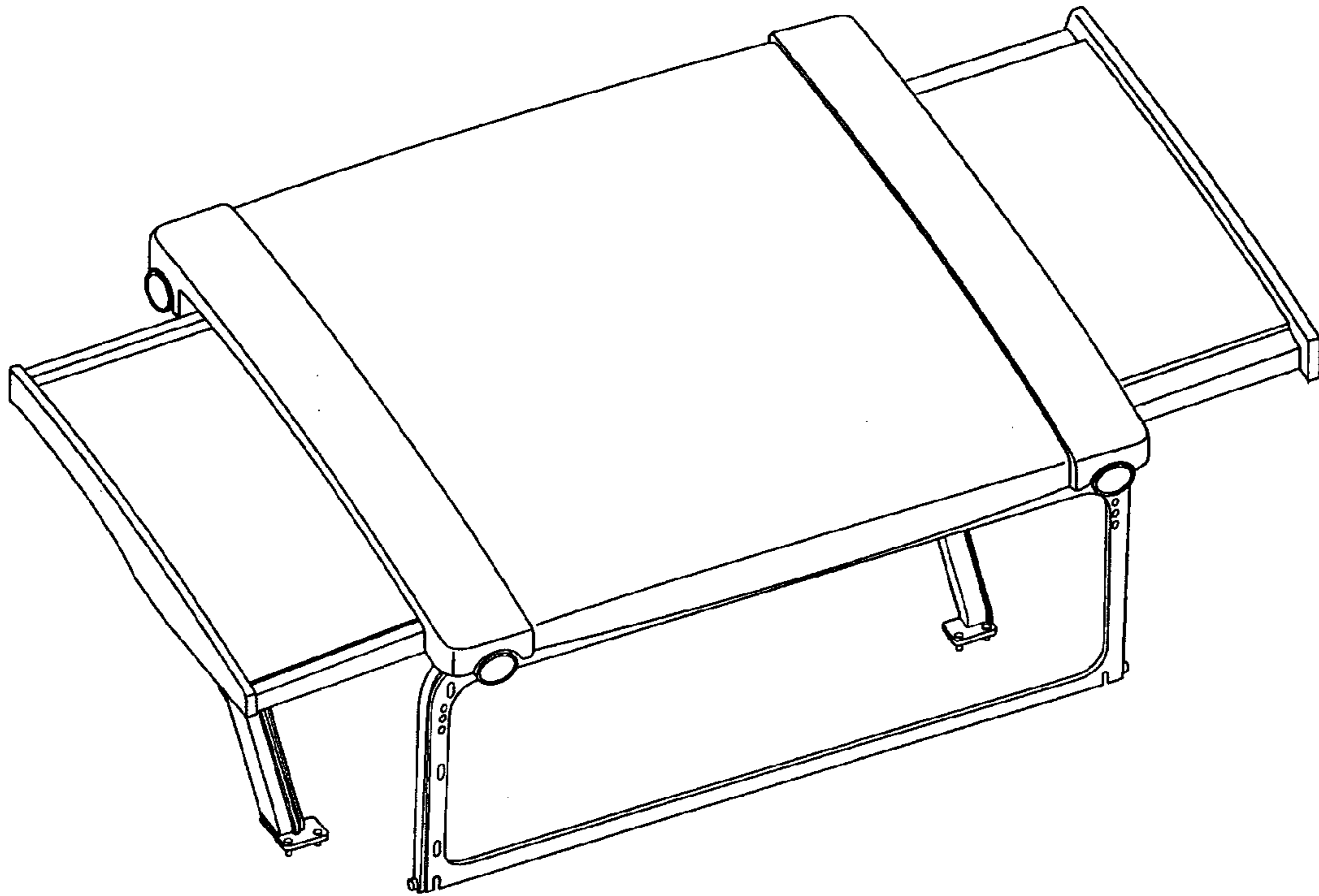


FIG. 9

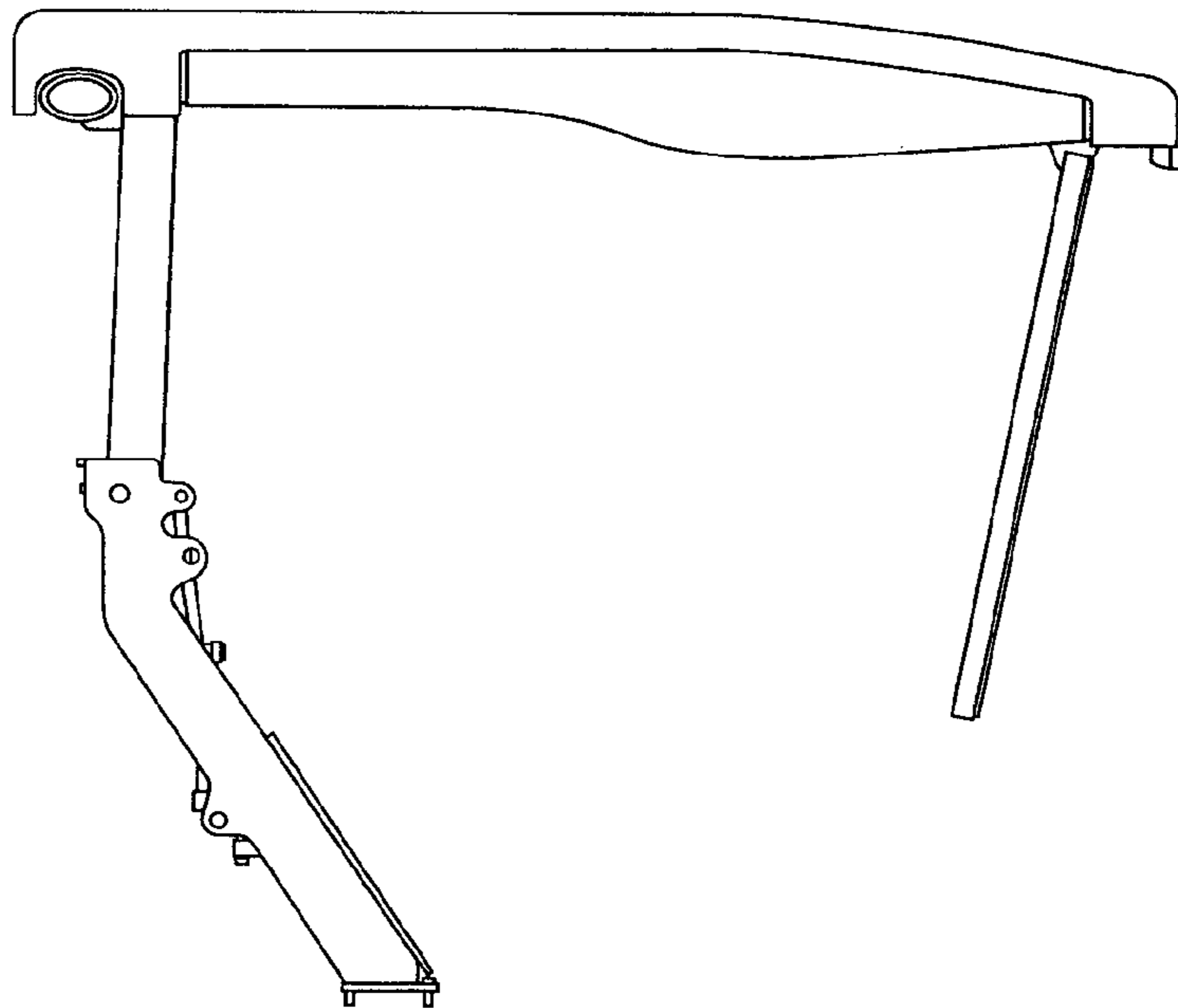


Fig. 10

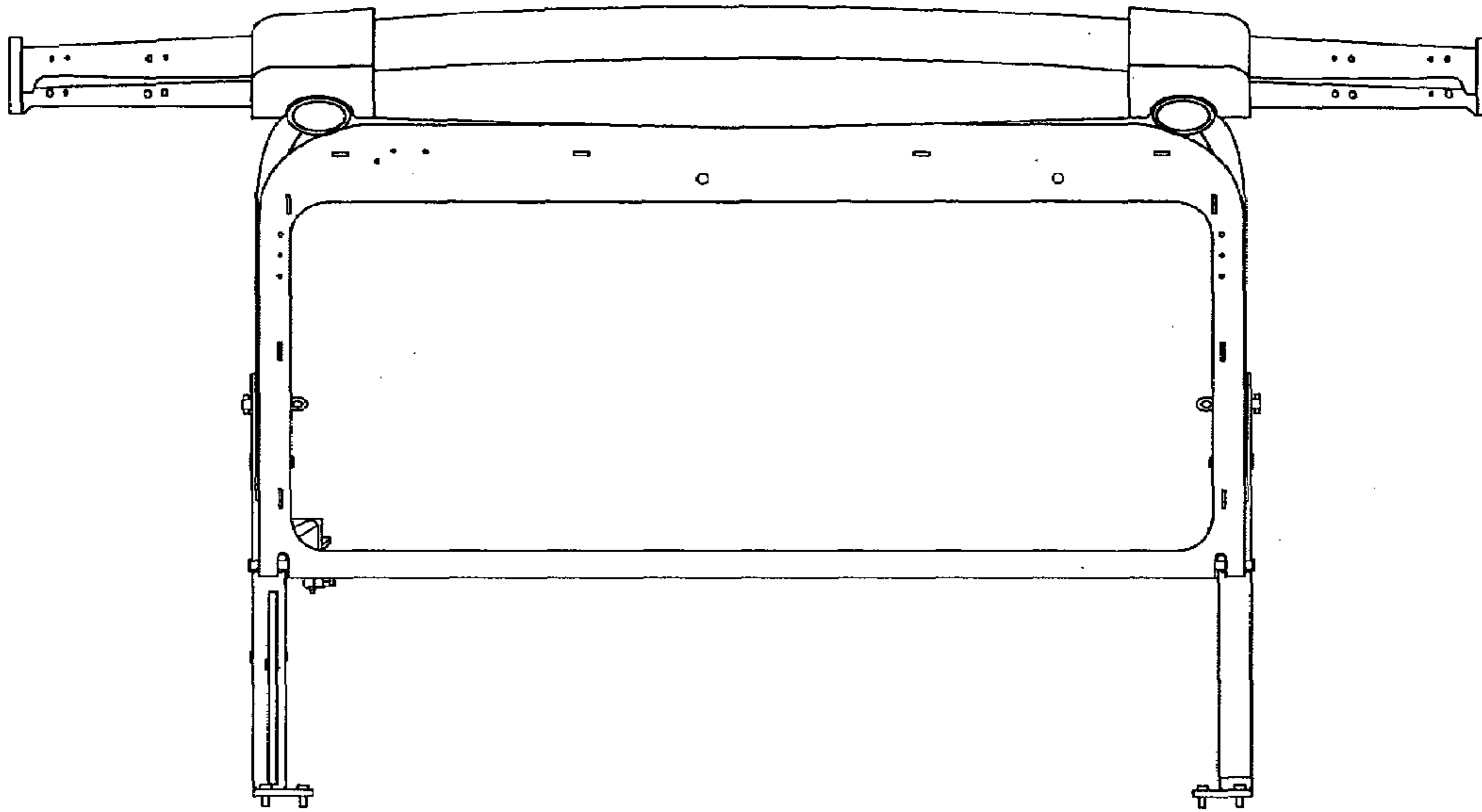


Fig. 11

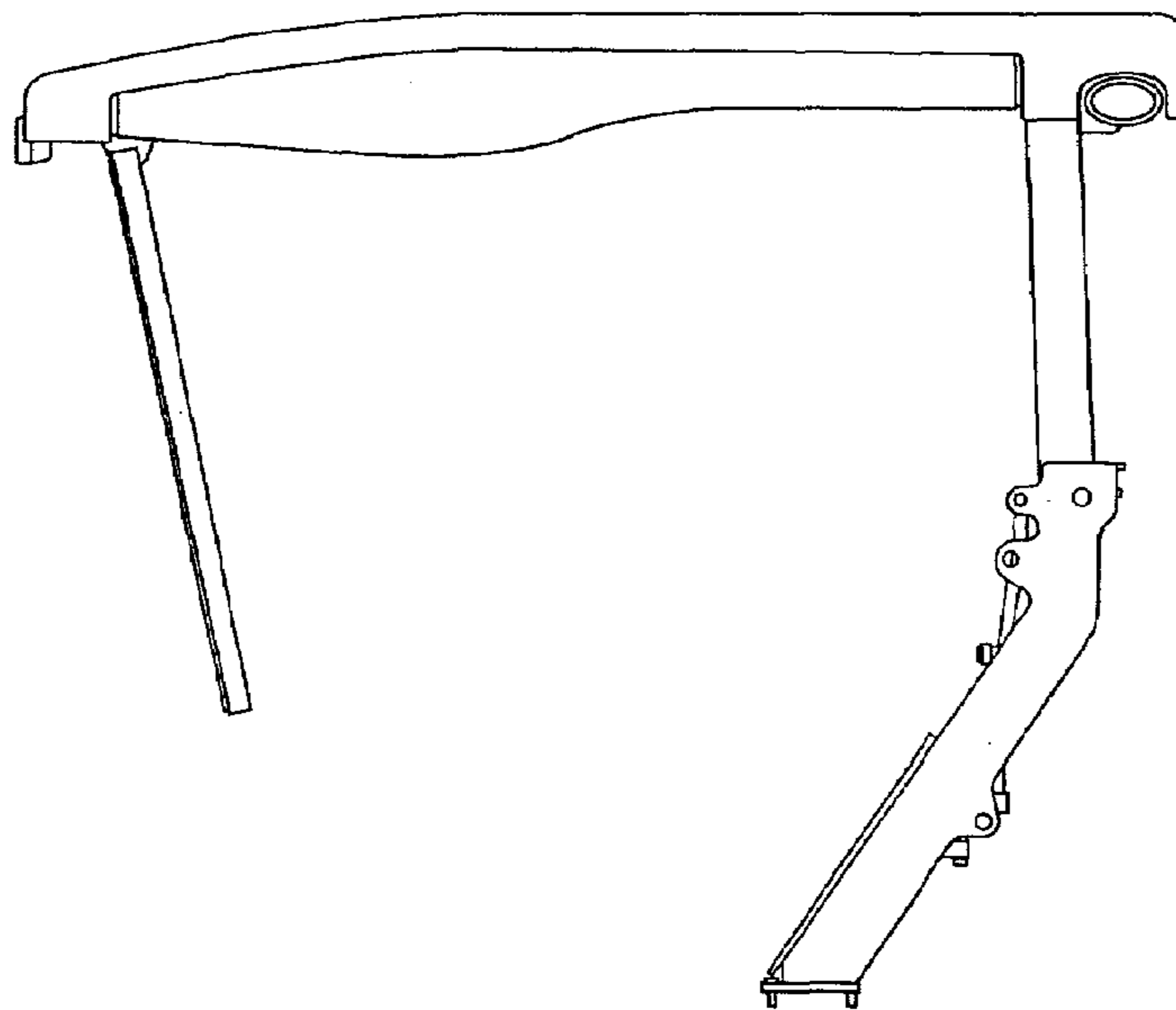


Fig. 12

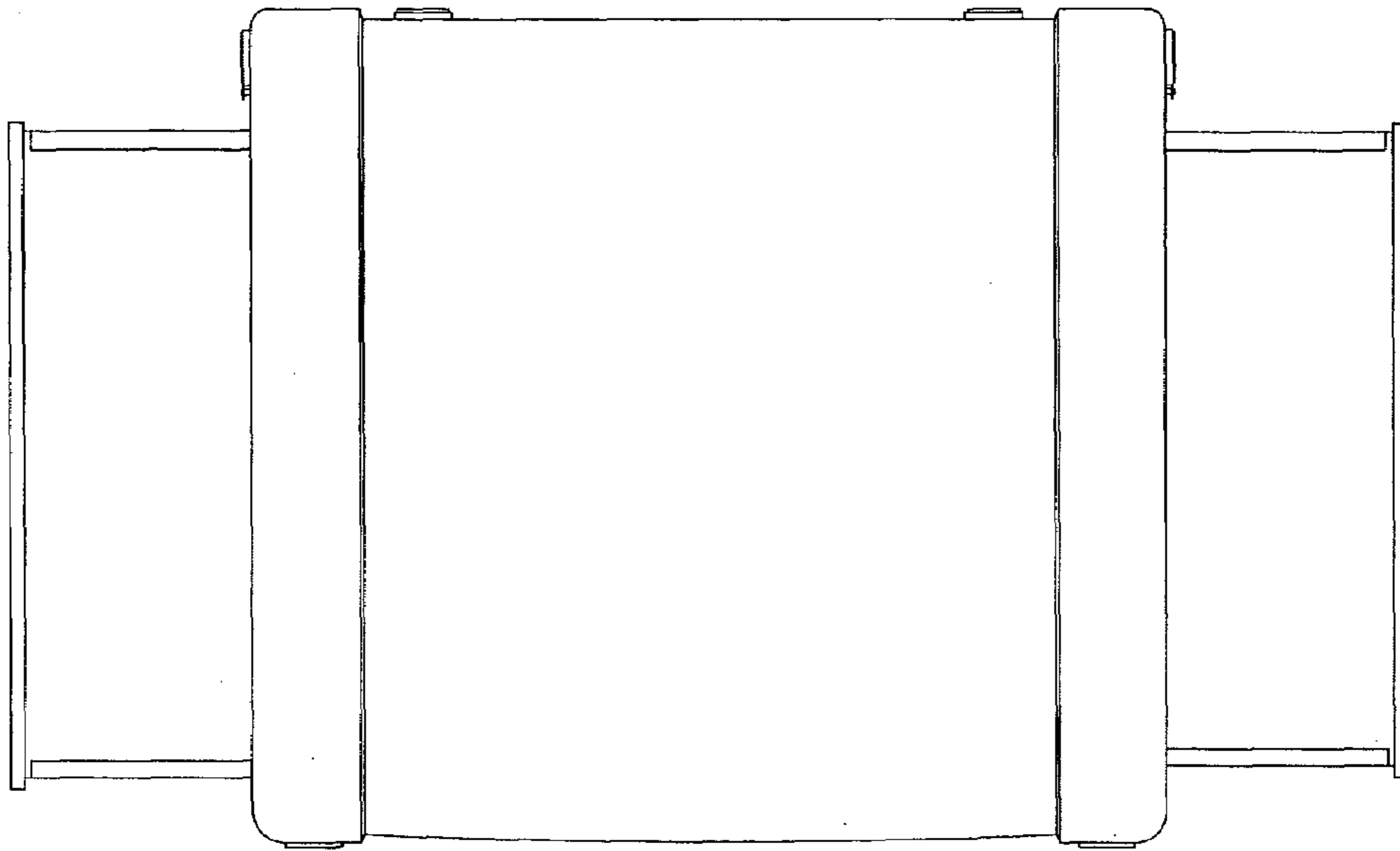


Fig. 13

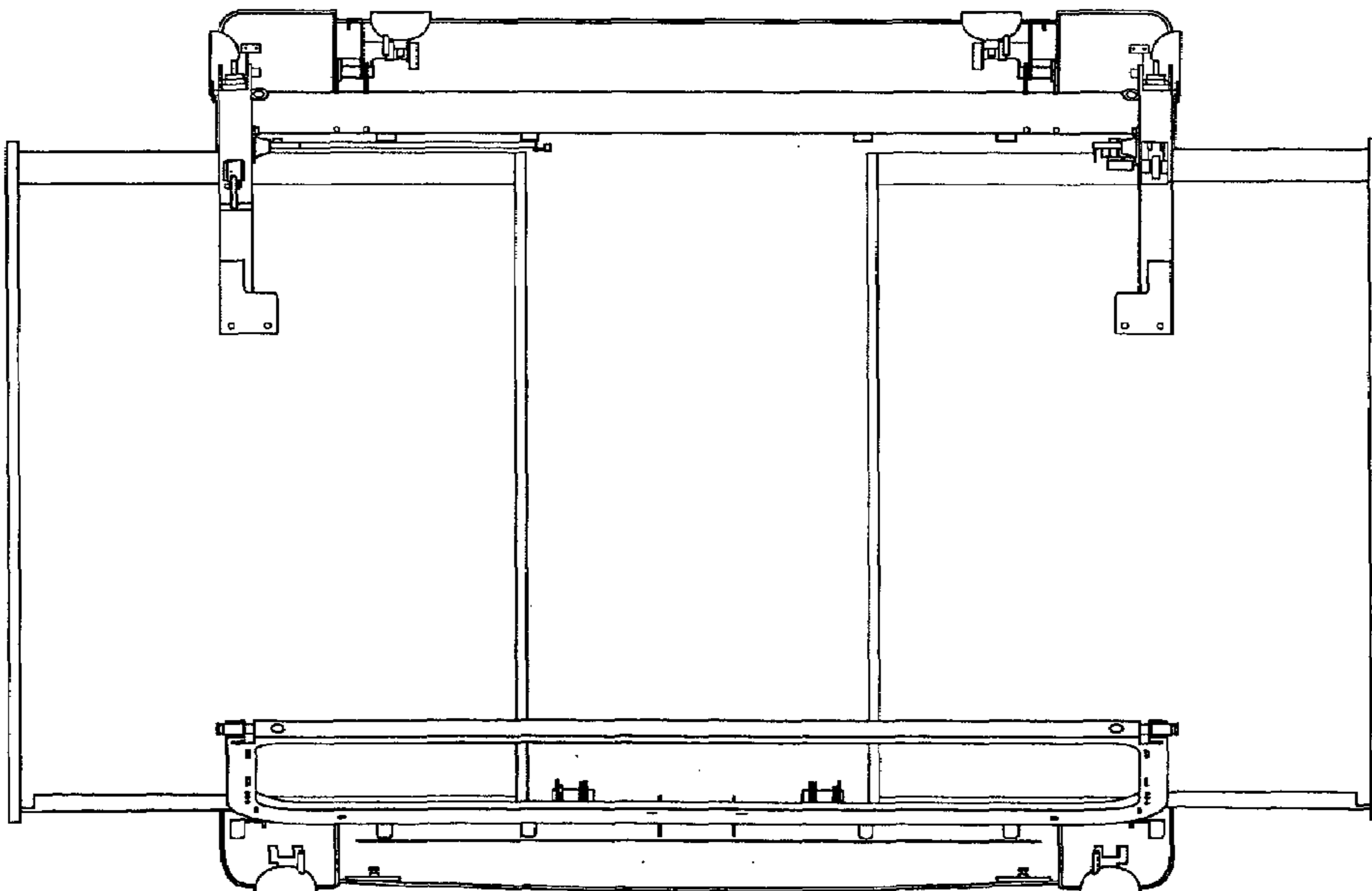
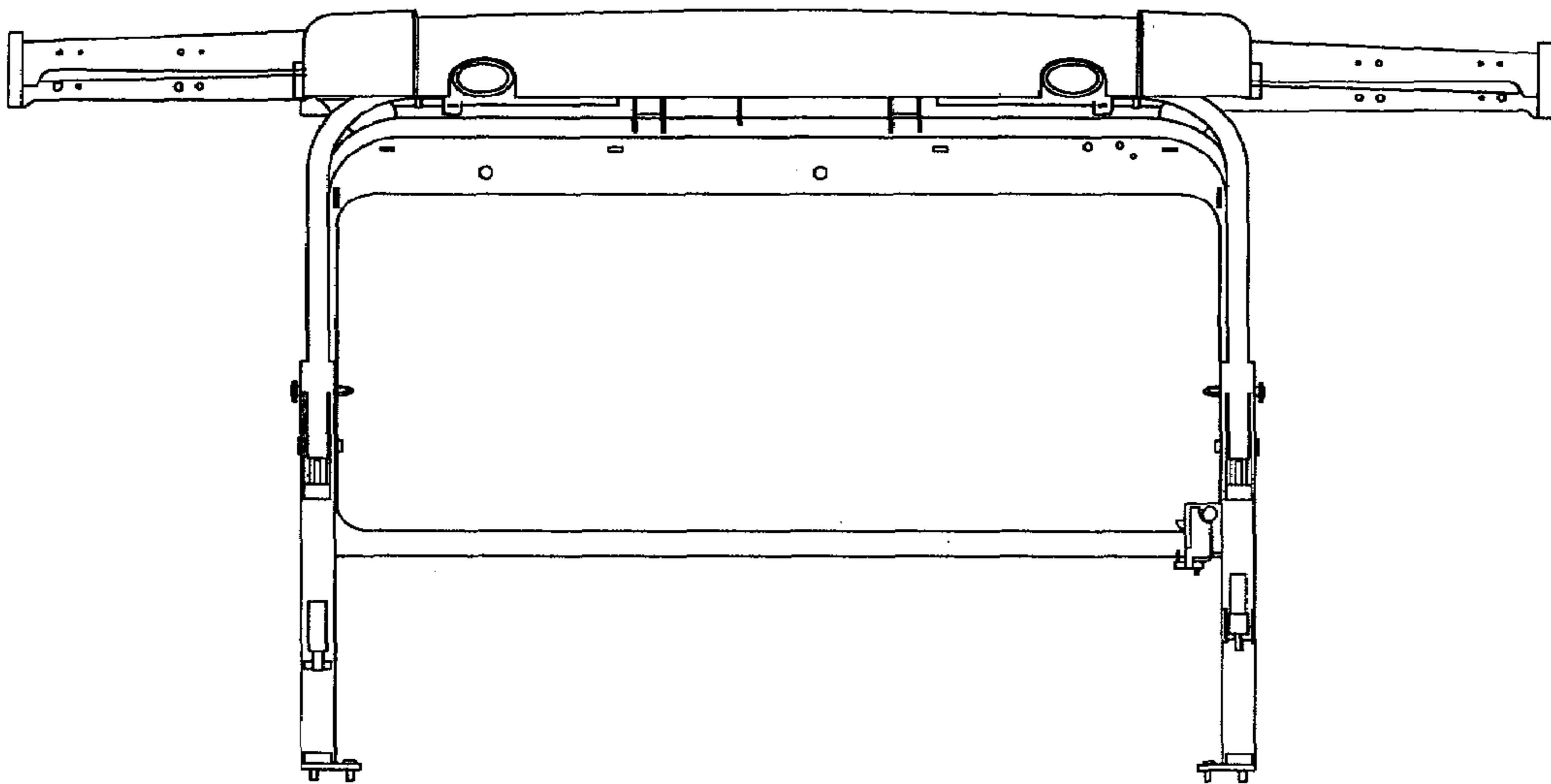




FIG. 14



UNITED STATES PATENT AND TRADEMARK OFFICE  
**CERTIFICATE OF CORRECTION**

PATENT NO. : Des. 554,158 S  
APPLICATION NO. : 29/269037  
DATED : October 30, 2007  
INVENTOR(S) : Ulrich Ewringmann

Page 1 of 1

It is certified that error appears in the above-identified patent and that said Letters Patent is hereby corrected as shown below:

In the Cover Page, item [30]

For Foreign Priority, insert --EP 000539432 May 16, 06--

Signed and Sealed this

Twenty-fifth Day of December, 2007

A handwritten signature in black ink that reads "Jon W. Dudas". The signature is written in a cursive style with a large, looped initial "J".

JON W. DUDAS

*Director of the United States Patent and Trademark Office*