



US00D554157S

(12) **United States Design Patent**
Renski

(10) **Patent No.:** **US D554,157 S**
(45) **Date of Patent:** **** Oct. 30, 2007**

(54) **SIDECUTTER**

(75) Inventor: **William J. Renski**, Peoria, IL (US)

(73) Assignee: **Caterpillar Inc.**, Peoria, IL (US)

(**) Term: **14 Years**

(21) Appl. No.: **29/263,607**

(22) Filed: **Jul. 26, 2006**

(51) **LOC (8) Cl.** **15-03**

(52) **U.S. Cl.** **D15/29; D15/28**

(58) **Field of Classification Search** D15/21,
D15/28, 29; 414/724, 912; 37/448, 903,
37/442-444, 411, 446, 450; 172/701.2, 751,
172/701.3, 699, 713, 719, 765, 772.5

See application file for complete search history.

(56) **References Cited**

U.S. PATENT DOCUMENTS

1,896,414	A *	2/1933	Murtaugh	37/449
2,965,989	A *	12/1960	Hibbard	172/701.2
D207,449	S *	4/1967	Wilson	D15/29
3,643,357	A *	2/1972	Benning et al.	37/448
3,748,762	A *	7/1973	Tarrant	37/448
3,805,422	A *	4/1974	Stepe	37/448
3,967,398	A *	7/1976	Stepe	37/448
D240,846	S *	8/1976	Andersson	D15/11
D246,176	S *	10/1977	Dahlberg et al.	D15/32

(Continued)

Primary Examiner—Mitchell Siegel

Assistant Examiner—Mark Goodwin

(74) *Attorney, Agent, or Firm*—Andrew J. Ririe

(57) **CLAIM**

The ornamental design for a sidecutter, as shown.

DESCRIPTION

FIG. 1 is an isometric view of a left side embodiment of the sidecutter.

FIG. 2 is another isometric view of the left side embodiment of FIG. 1.

FIG. 3 is a view of the inside face of the left side embodiment of FIG. 1.

FIG. 4 is a front view of the left side embodiment of FIG. 1, taken from viewing plane 4—4 in FIG. 3.

FIG. 5 is a rear view of the left side embodiment of FIG. 1, taken from viewing plane 5—5 in FIG. 3.

FIG. 6 is a top view of the left side embodiment of FIG. 1, taken from viewing plane 6—6 in FIG. 3.

FIG. 7 is another top view of the left side embodiment of FIG. 1, taken from viewing plane 7—7 in FIG. 3.

FIG. 8 is a view of the outside face of the left side embodiment of FIG. 1.

FIG. 9 is a bottom view of the left side embodiment of FIG. 1, taken from viewing plane 9—9 of FIG. 8.

FIG. 10 is an isometric view of a right side embodiment of the sidecutter.

FIG. 11 is another isometric view of the right side embodiment of FIG. 10.

FIG. 12 is a view of the inside face of the right side embodiment of FIG. 10.

FIG. 13 is a front view of the right side embodiment of FIG. 10, taken from viewing plane 13—13 in FIG. 12.

FIG. 14 is a rear view of the right side embodiment of FIG. 10, taken from viewing plane 14—14 in FIG. 12.

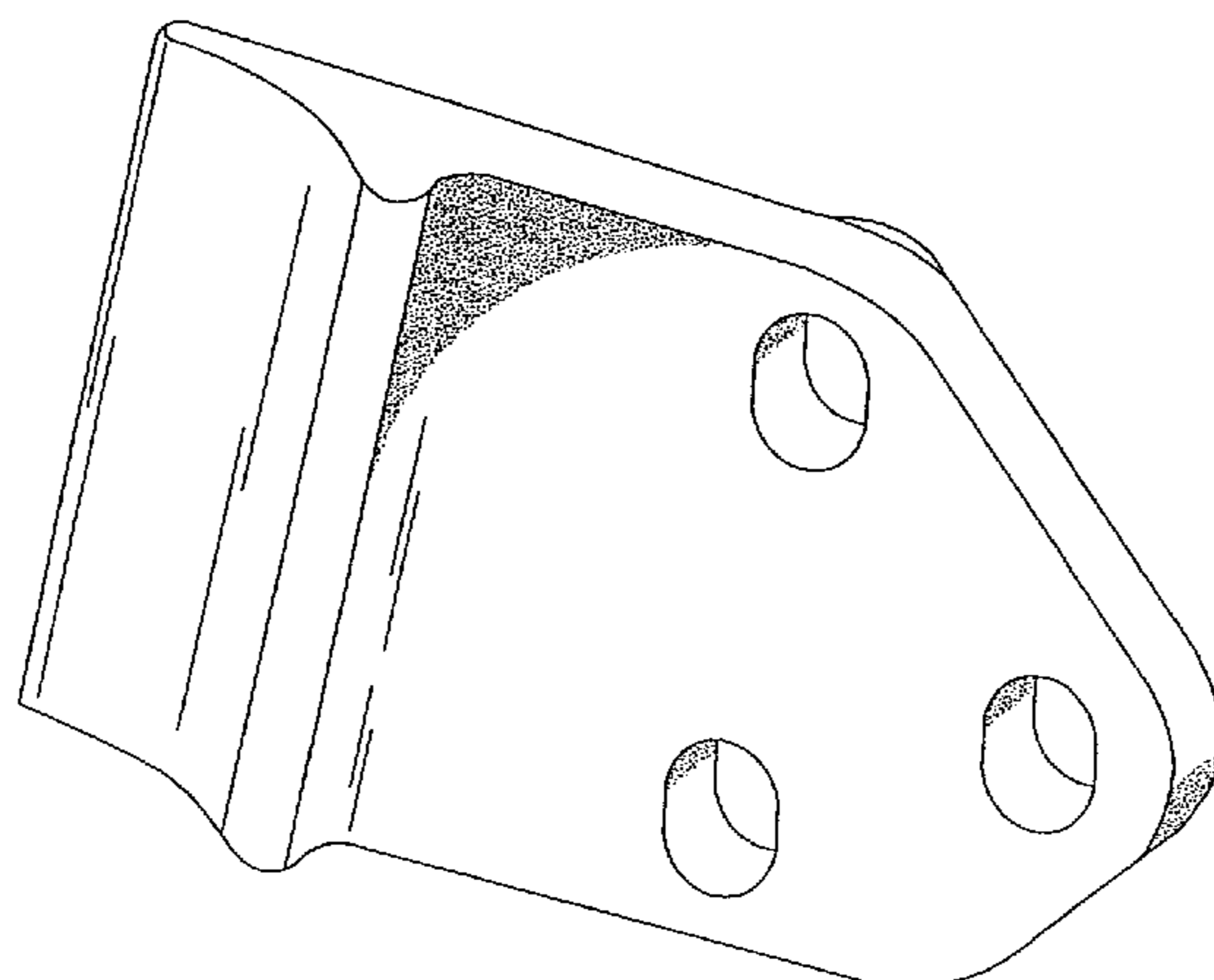
FIG. 15 is a bottom view of the right side embodiment of FIG. 10, taken from viewing plane 15—15 in FIG. 12.

FIG. 16 is a view of the outside face of the right side embodiment of FIG. 10.

FIG. 17 is a top view of the right side embodiment of FIG. 10, taken from viewing plane 17—17 in FIG. 16; and,

FIG. 18 is another top view of the right side embodiment of FIG. 10, taken from viewing plane 18—18 of FIG. 16.

1 Claim, 9 Drawing Sheets



US D554,157 S

Page 2

U.S. PATENT DOCUMENTS

D279,568 S *	7/1985	Nja	D15/29	5,119,888 A *	6/1992	Hall	172/699
D279,786 S *	7/1985	Nja	D15/29	5,429,197 A *	7/1995	Livingstone	172/699
D284,010 S *	5/1986	Voyce	D15/29	6,854,201 B1 *	2/2005	Hunter et al.	37/465
4,601,119 A *	7/1986	Klett	37/448	D522,535 S *	6/2006	Hammar et al.	D15/29
D322,793 S *	12/1991	Anderson	D15/29	2003/0066215 A1 *	4/2003	Grant	37/446
D326,460 S *	5/1992	Anderson	D15/29	2005/0172524 A1 *	8/2005	Grant	37/446

* cited by examiner

FIG. 1.

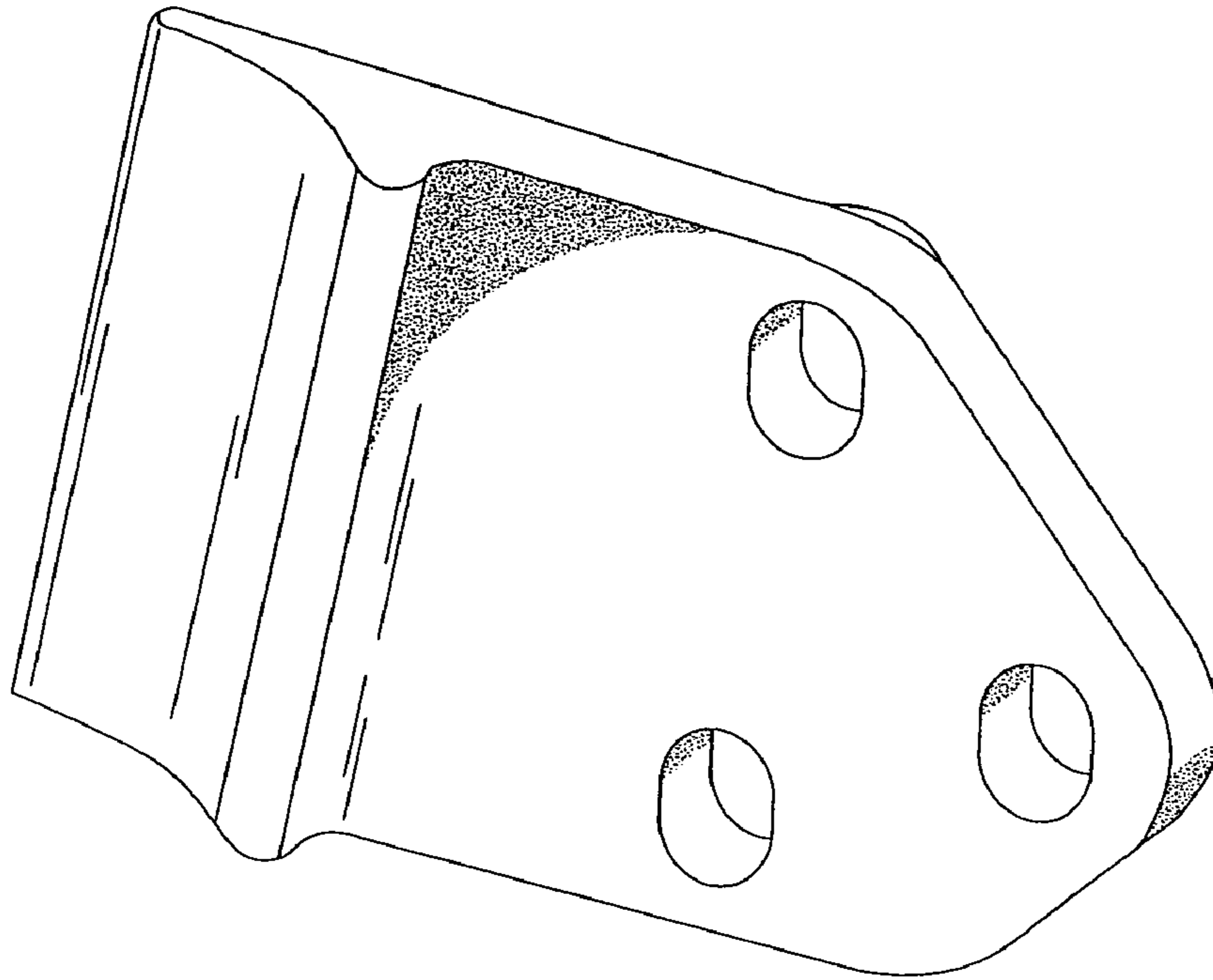


FIG. 2.

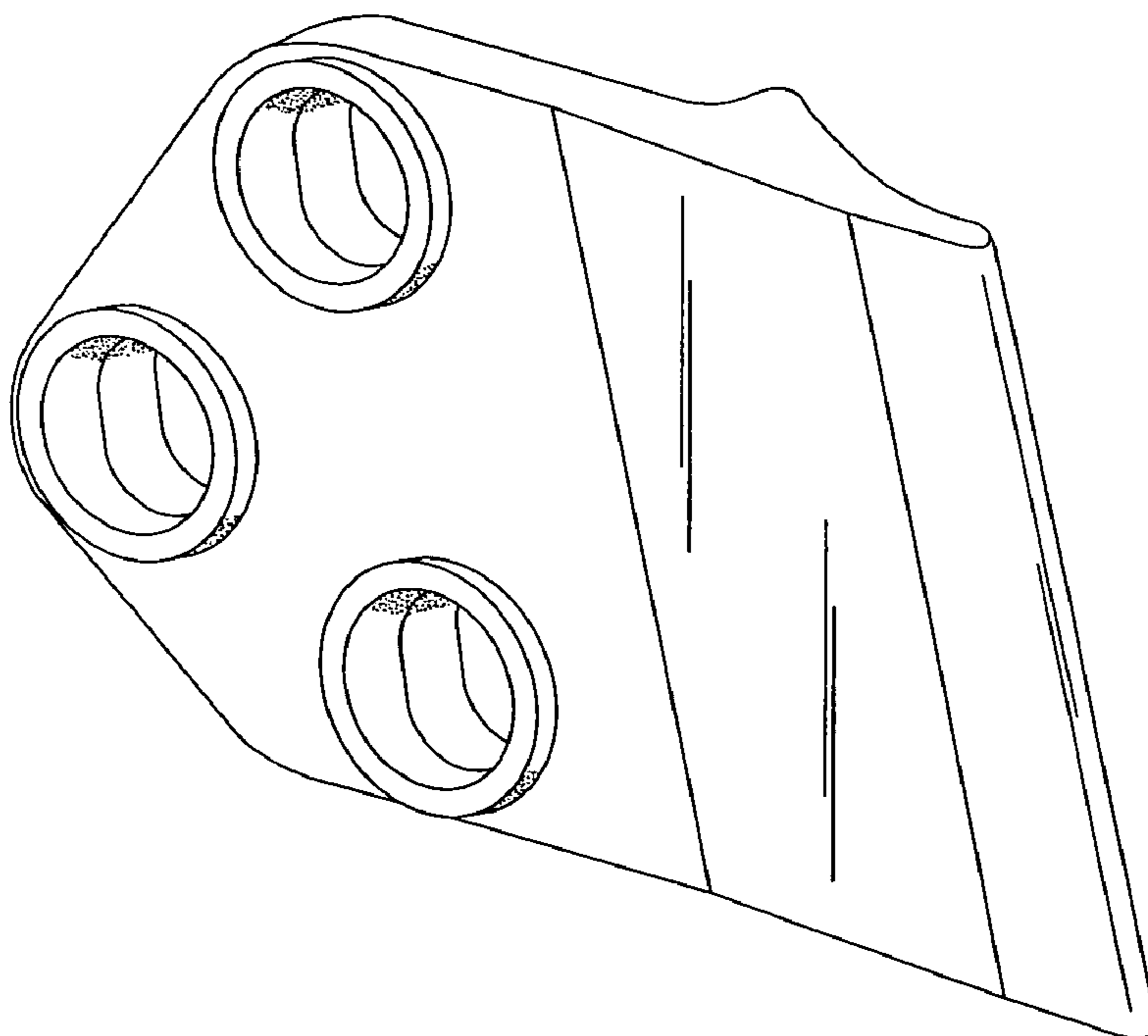


FIG. 3.

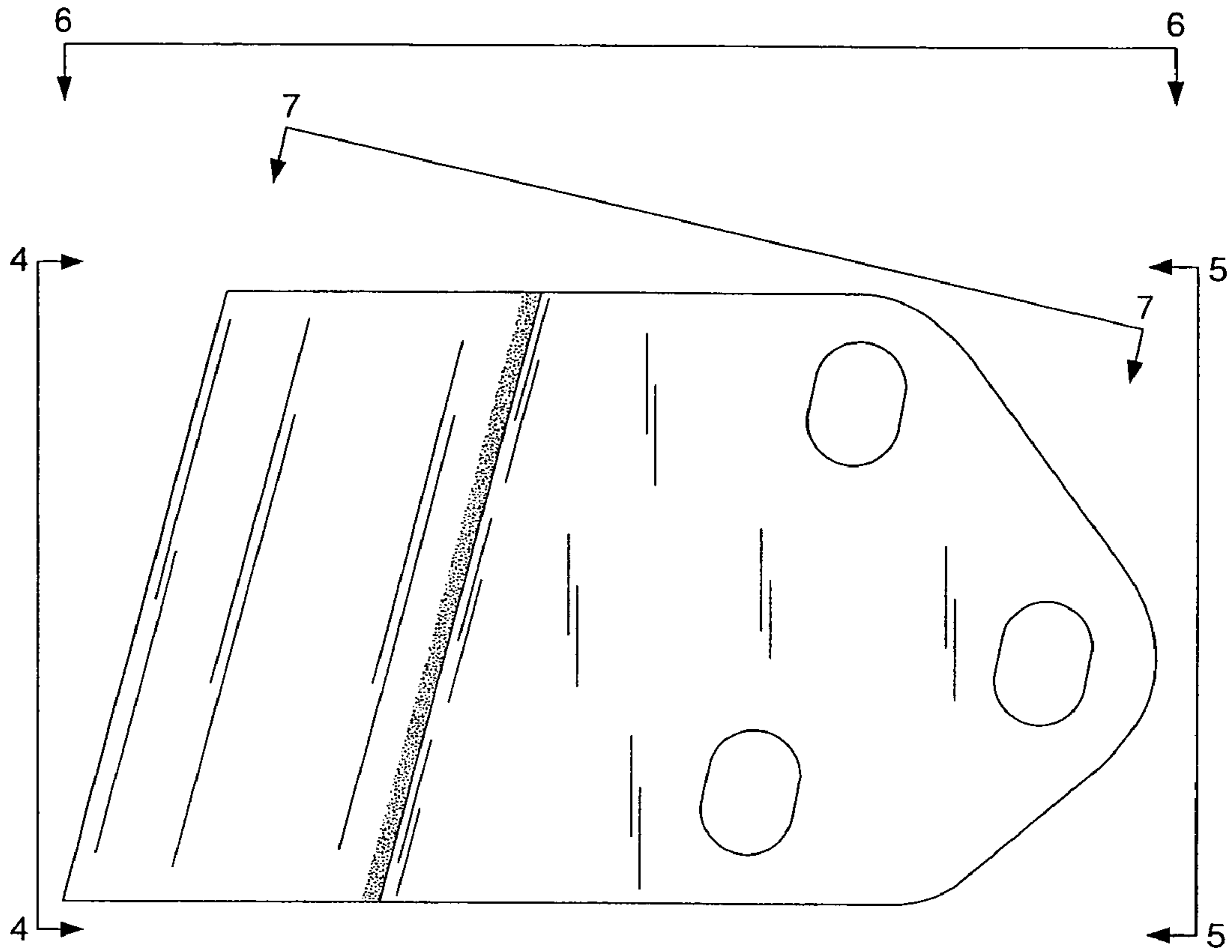


FIG. 4.

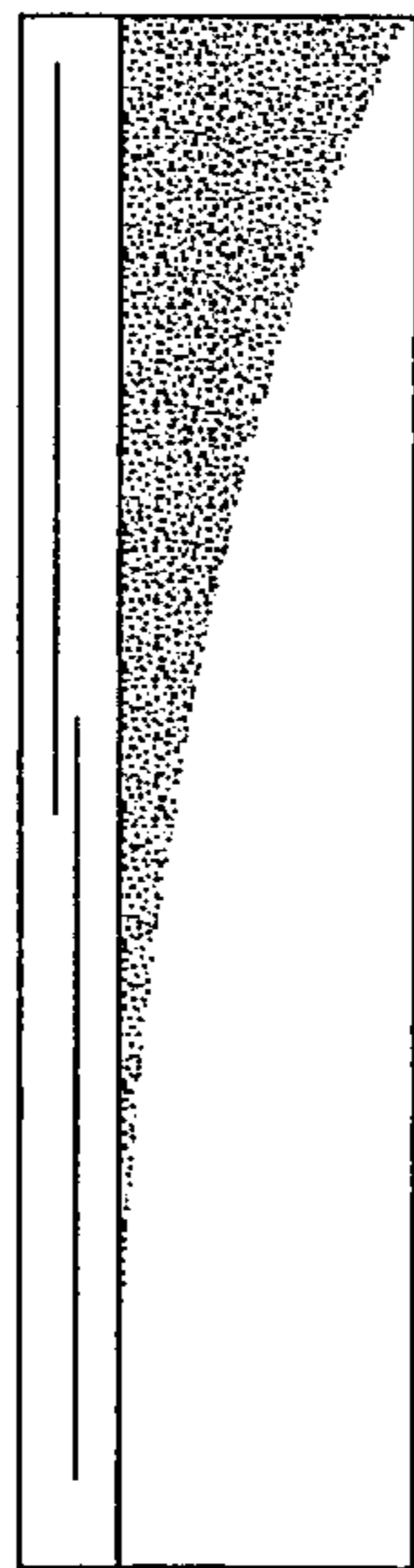


FIG. 5.

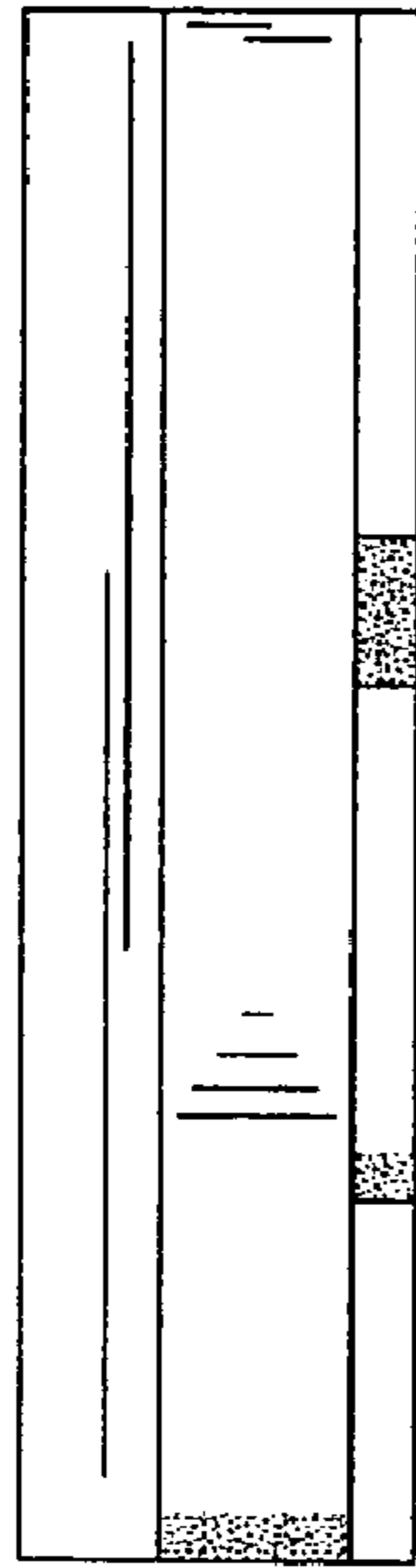


FIG. 6.

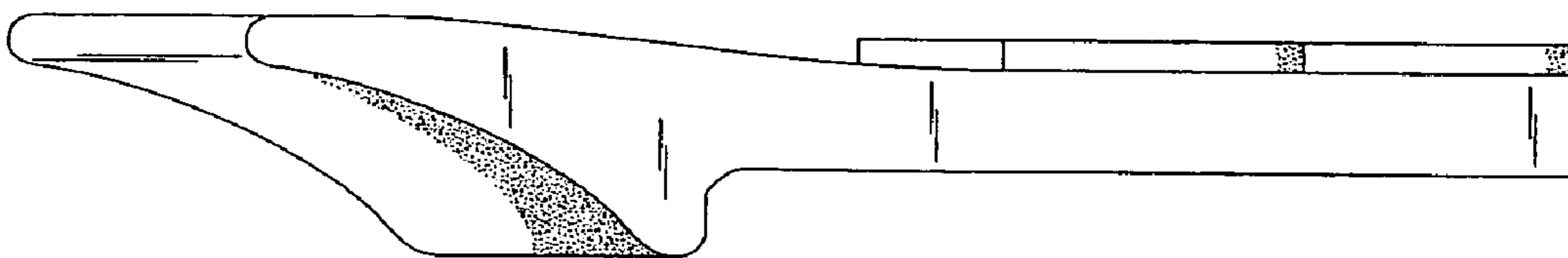


FIG. 7.

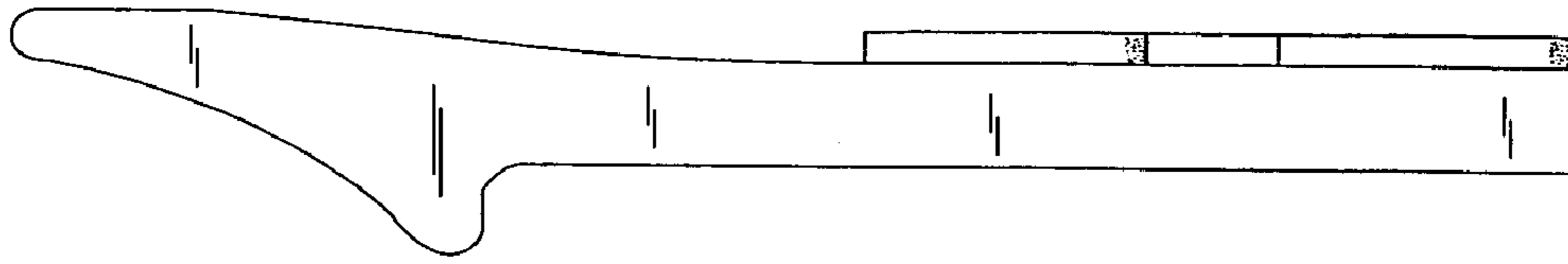


FIG. 8.

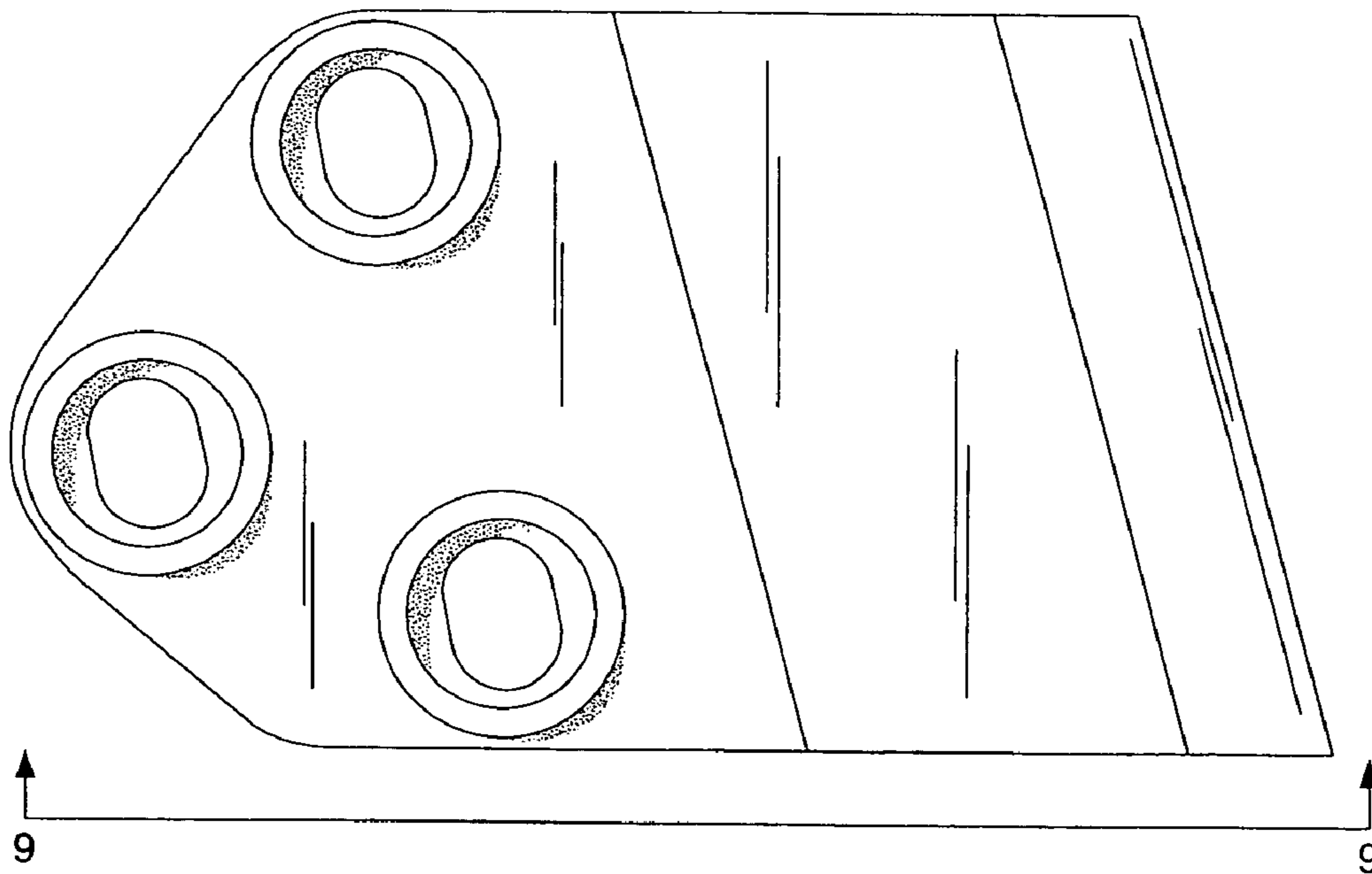


FIG. 9.

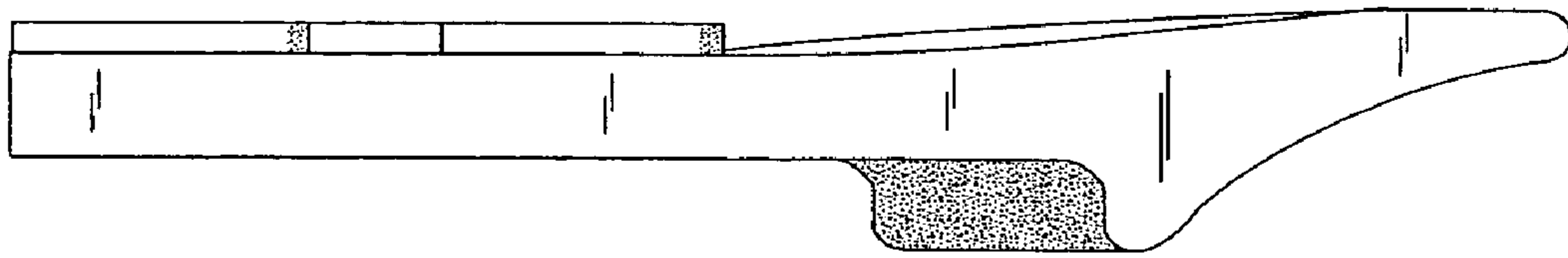


FIG. 10.

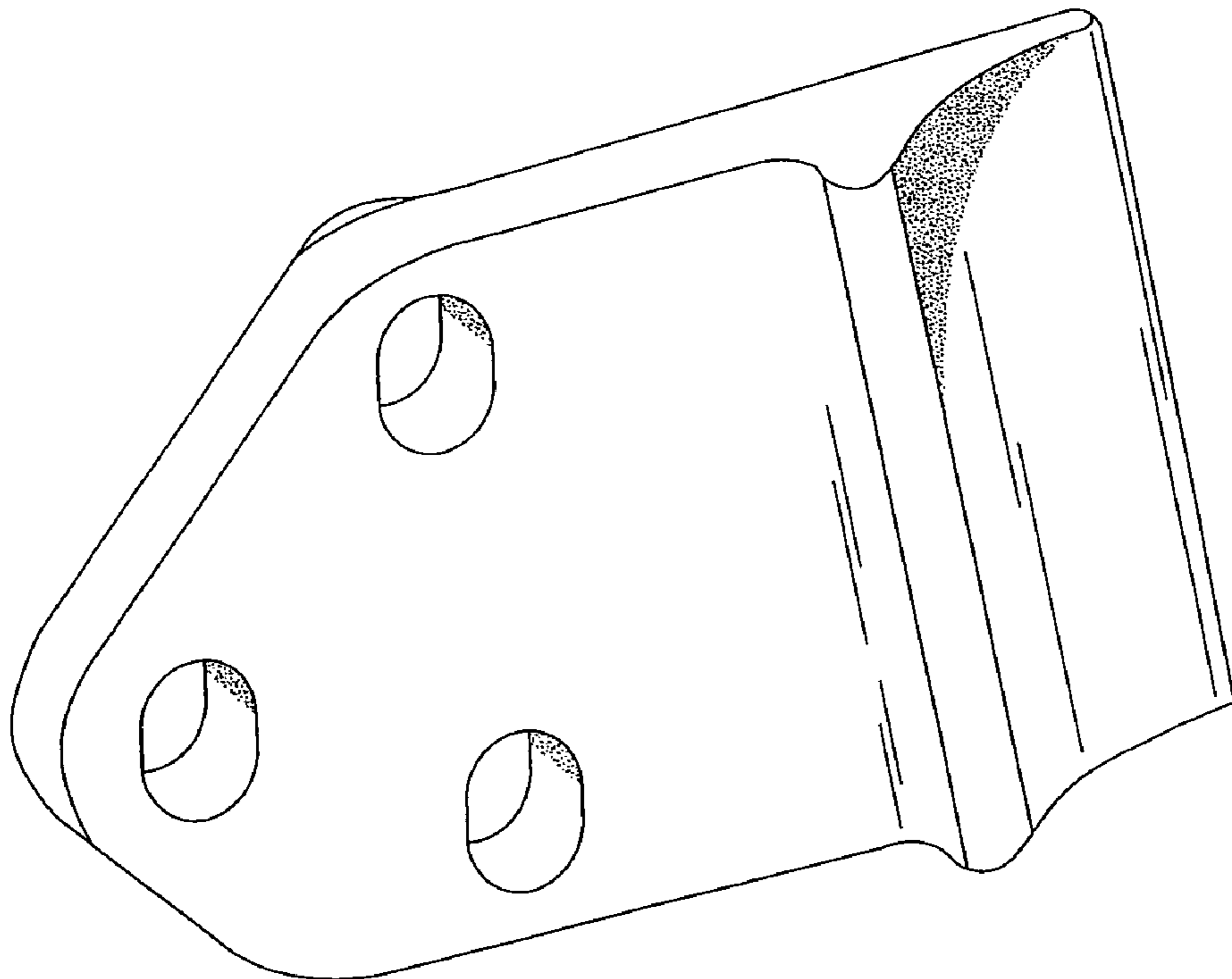


FIG. 11.

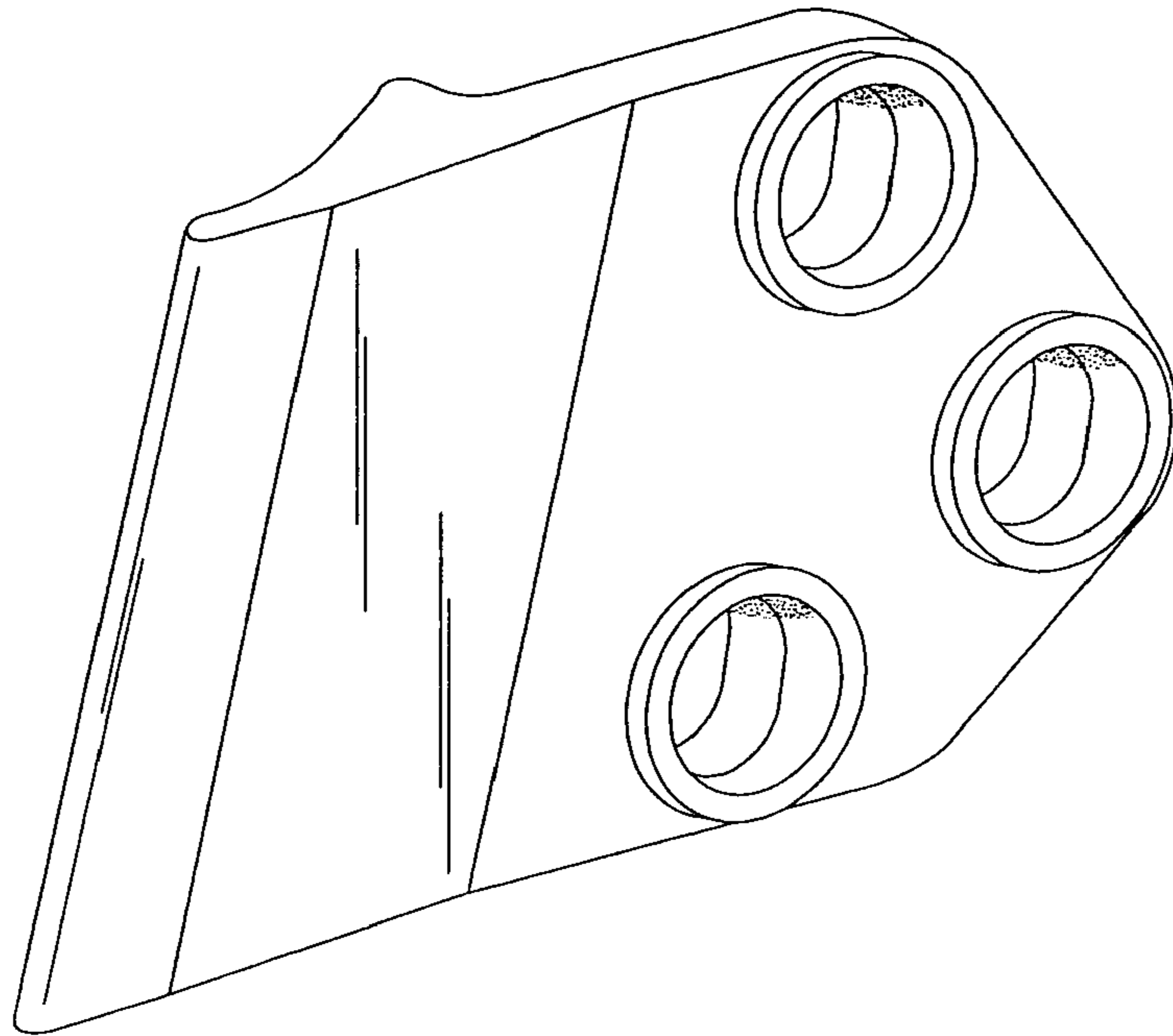


FIG. 12.

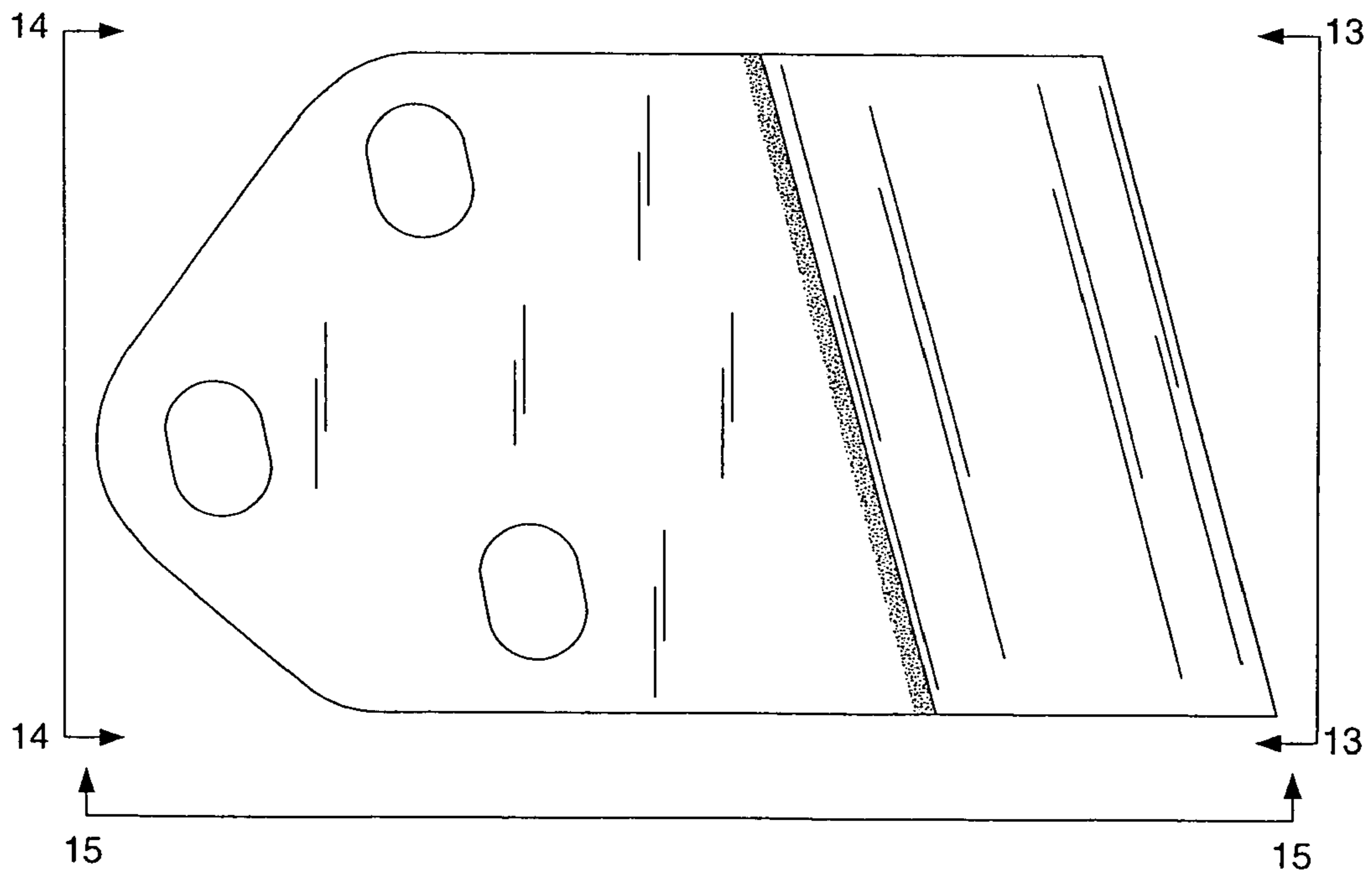


FIG. 13.

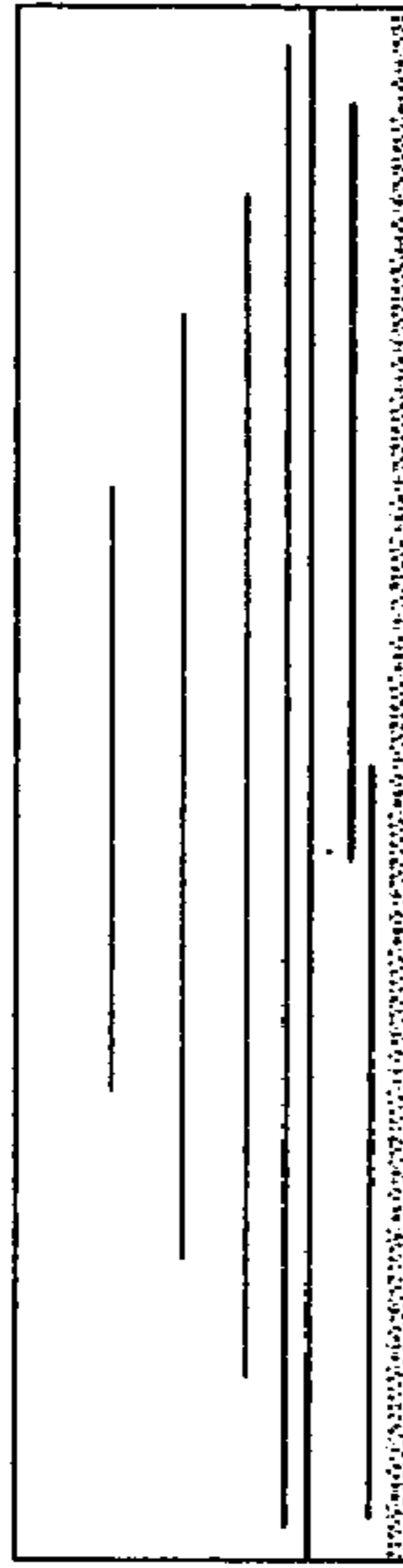


FIG. 14.

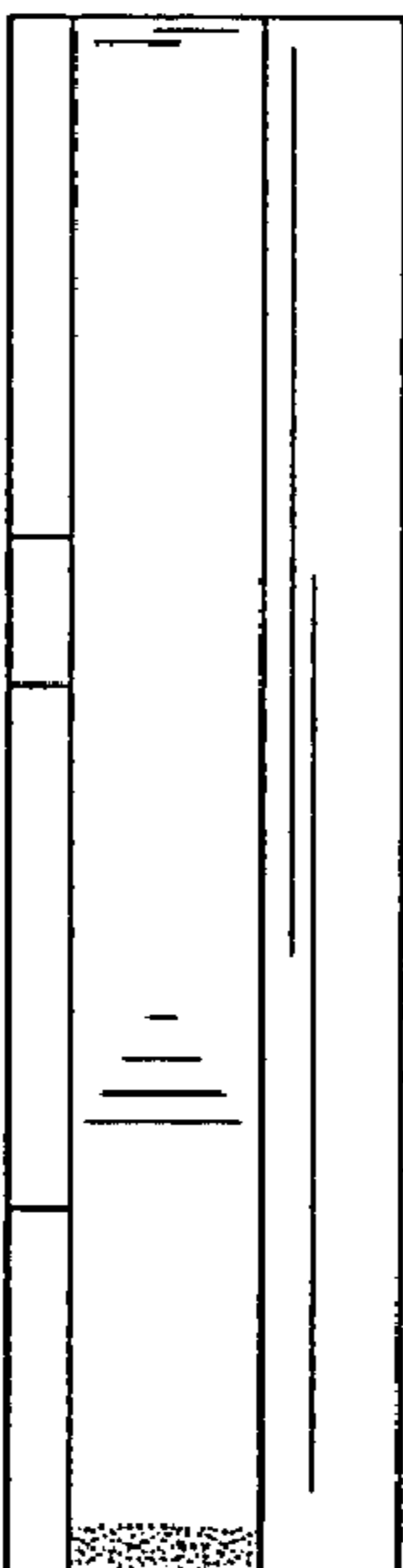


FIG. 15.

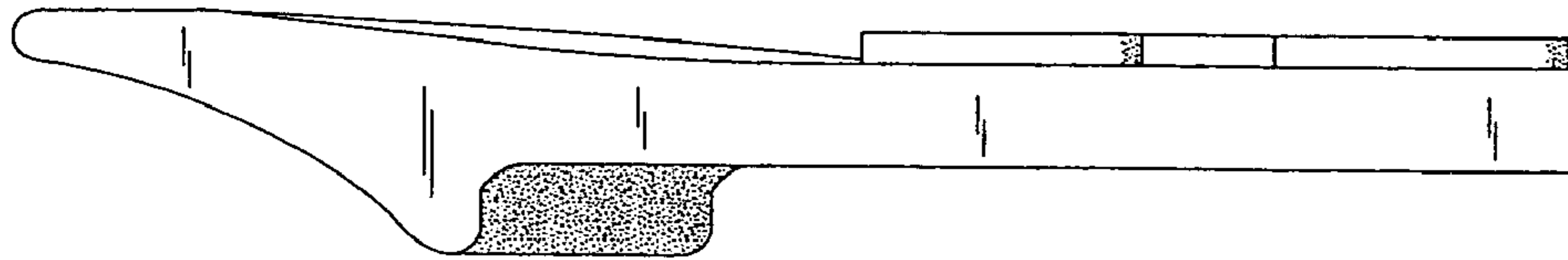


FIG. 16.

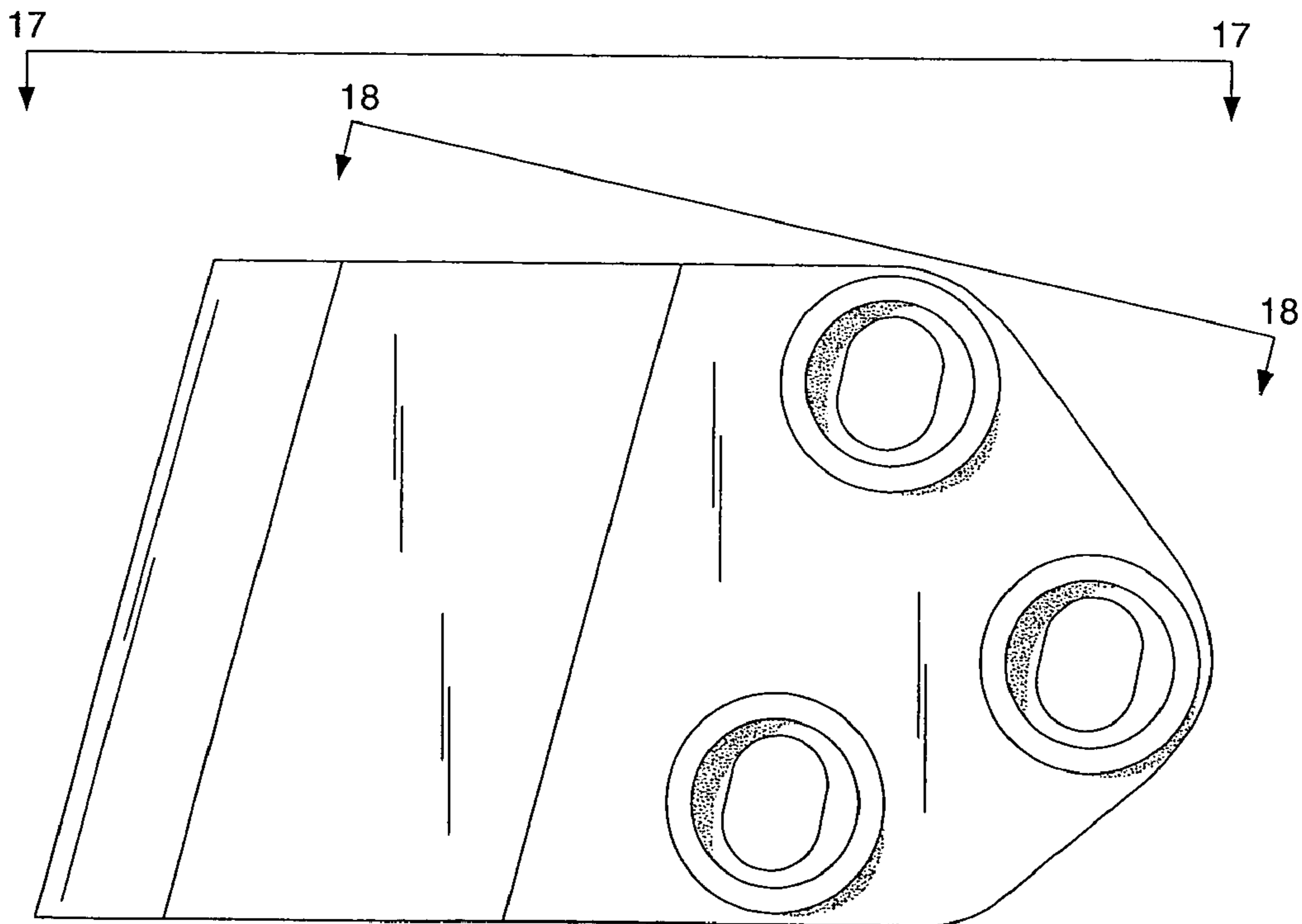


FIG. 17.

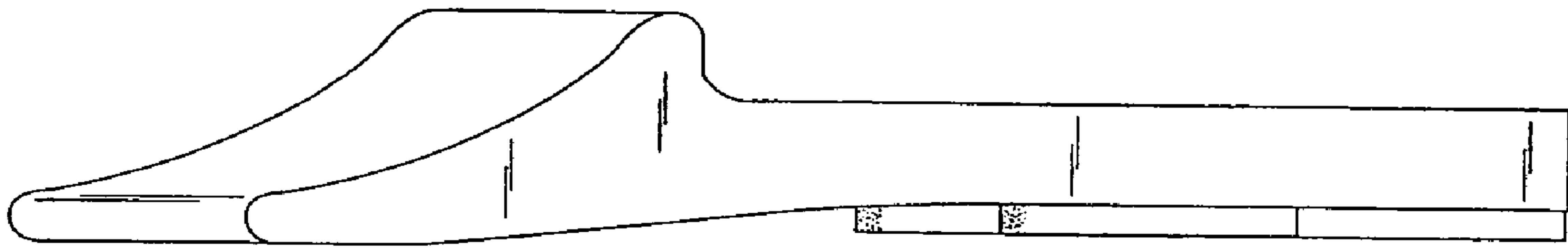


FIG. 18.

