



US00D554155S

(12) **United States Design Patent**
Yuzuriha

(10) **Patent No.:** **US D554,155 S**

(45) **Date of Patent:** **** Oct. 30, 2007**

(54) **SNOWPLOW**

(75) Inventor: **Hiromi Yuzuriha**, Saitama (JP)

(73) Assignee: **Honda Motor Co., Ltd.**, Tokyo (JP)

(**) Term: **14 Years**

(21) Appl. No.: **29/244,821**

(22) Filed: **Dec. 15, 2005**

(30) **Foreign Application Priority Data**

Jul. 14, 2005 (JP) 2005-020537

(51) **LOC (8) Cl.** **15-03**

(52) **U.S. Cl.** **D15/12; D15/11**

(58) **Field of Classification Search** D15/10-12,
D15/22, 24; 37/257, 254, 242-251, 258,
37/227, 219, 234; 180/272, 19.3; 192/224.2;
172/42

See application file for complete search history.

(56) **References Cited**

U.S. PATENT DOCUMENTS

D270,057	S *	8/1983	Nakamura	D15/12
4,783,915	A *	11/1988	Sasaki et al.	37/251
D314,775	S *	2/1991	Yoshida et al.	D15/11
5,020,250	A *	6/1991	Fujii et al.	37/257
5,123,186	A *	6/1992	Matushita et al.	37/251
5,174,053	A *	12/1992	Takeshita	37/258
5,438,770	A *	8/1995	Miller	37/227
6,131,316	A *	10/2000	Yoshina et al.	37/242
6,327,799	B1 *	12/2001	Hanafusa et al.	37/257

6,453,583	B1 *	9/2002	Hanafusa et al.	37/246
6,499,236	B2 *	12/2002	Yoshida et al.	37/219
6,513,267	B2 *	2/2003	Yoshida et al.	37/283
D498,770	S *	11/2004	Yuzuriha	D15/12
D500,053	S *	12/2004	Yuzuriha et al.	D15/12
7,059,071	B2 *	6/2006	Hanafusa et al.	37/249

OTHER PUBLICATIONS

Notification of Refusal Reasons.

* cited by examiner

Primary Examiner—Mitchell Siegel

Assistant Examiner—Mark Goodwin

(74) *Attorney, Agent, or Firm*—Westerman, Hattori, Daniels & Adrian, LLP.

(57) **CLAIM**

The ornamental design for a snowplow, as shown and described.

DESCRIPTION

FIG. 1 is a front elevation view of a snowplow, showing our new design;

FIG. 2 is a rear elevation view thereof;

FIG. 3 is a top plan view thereof;

FIG. 4 is a left side elevation view thereof;

FIG. 5 is a right side elevation view thereof;

FIG. 6 is a perspective view thereof; and,

FIG. 7 is an another perspective view thereof.

1 Claim, 7 Drawing Sheets

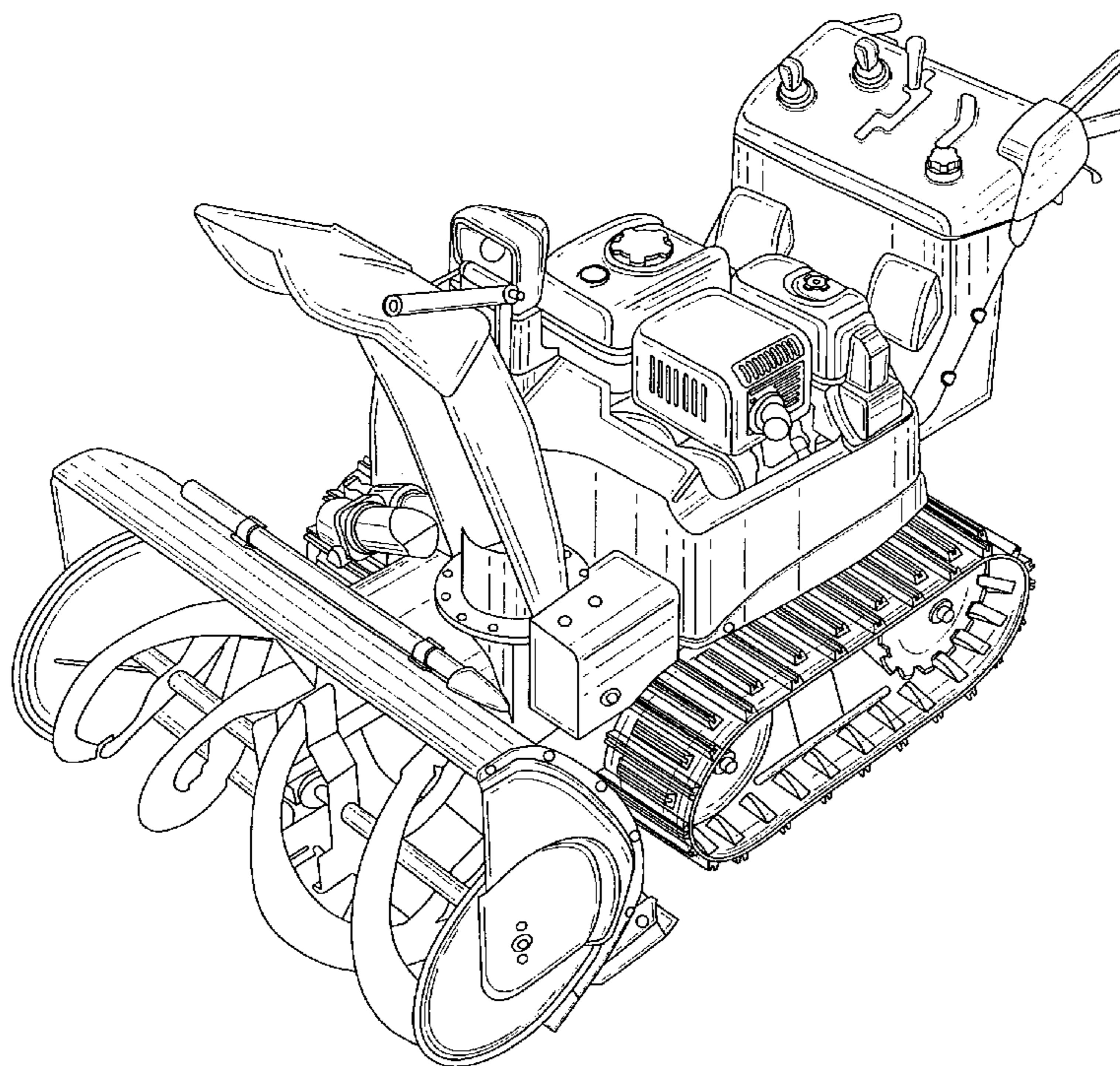


Fig.1

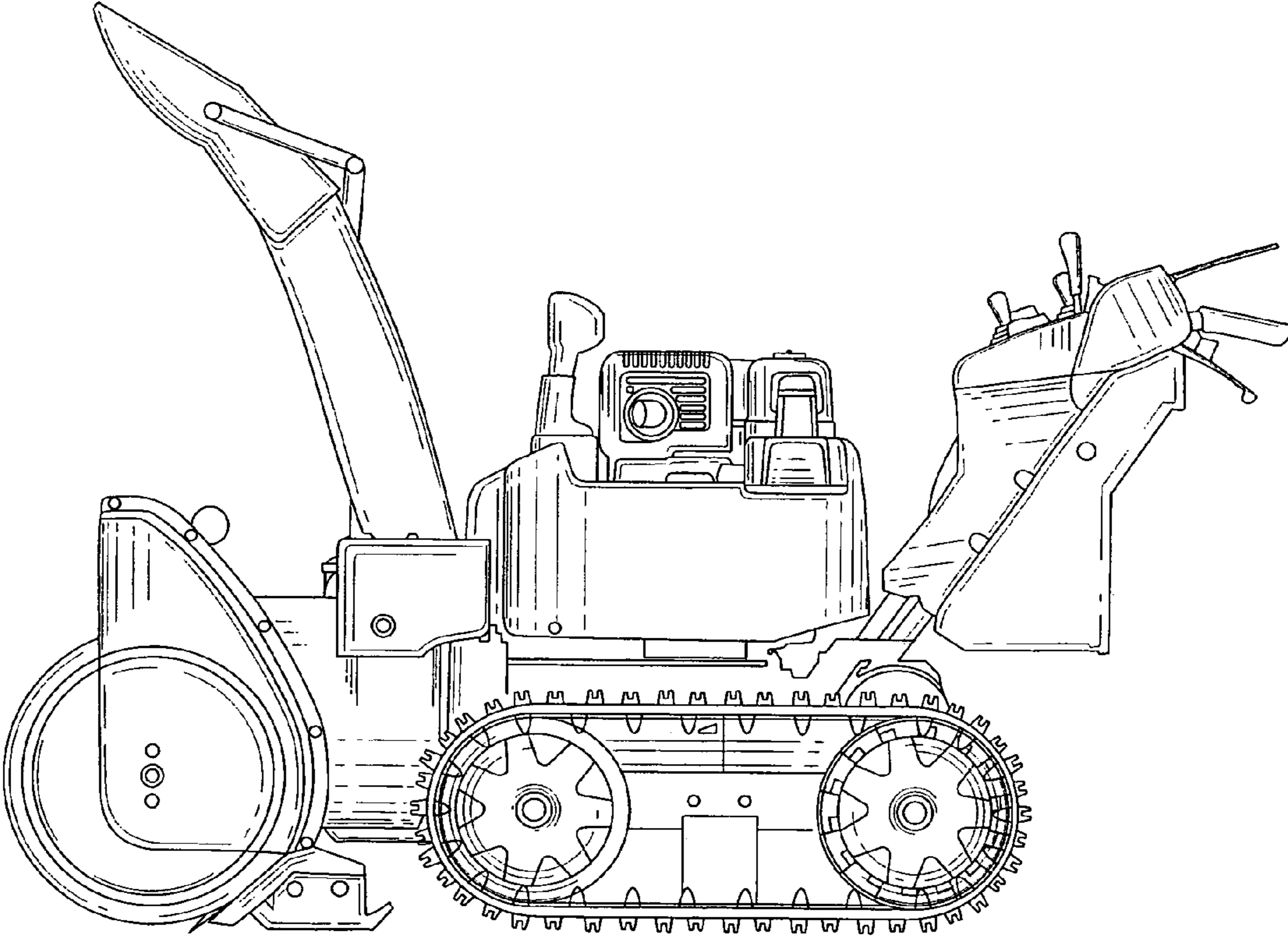


Fig.2

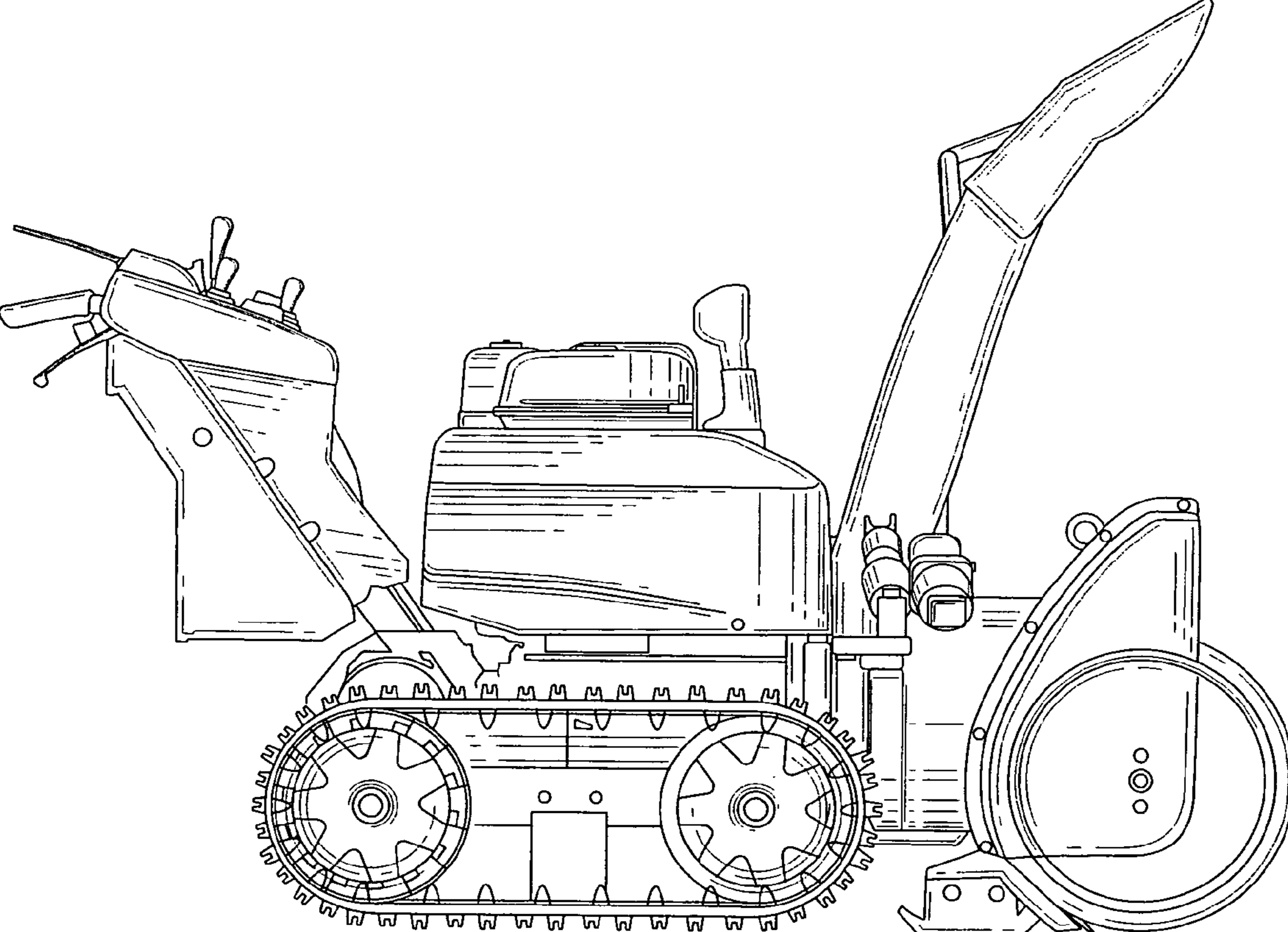


Fig.3

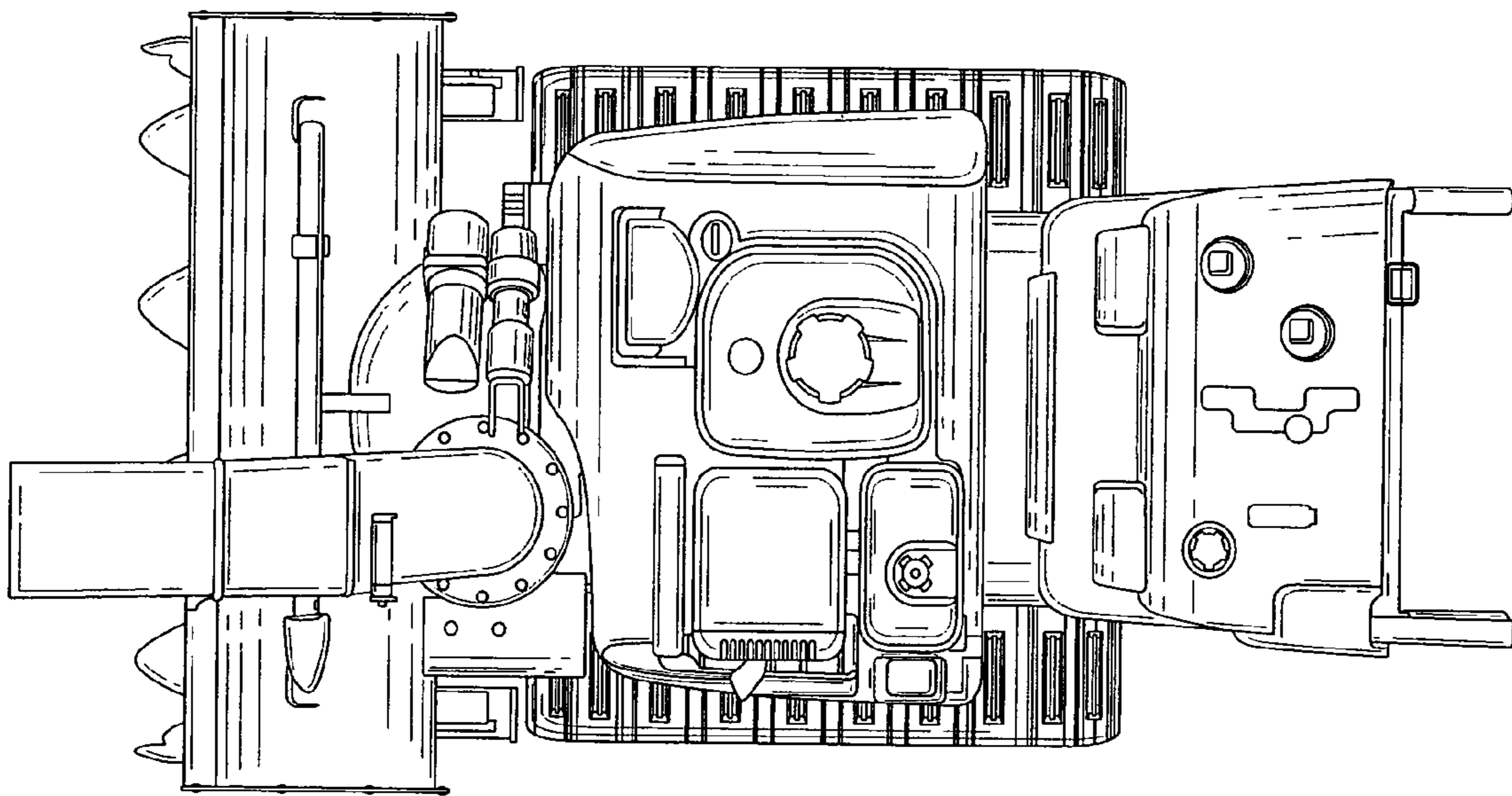


Fig.4

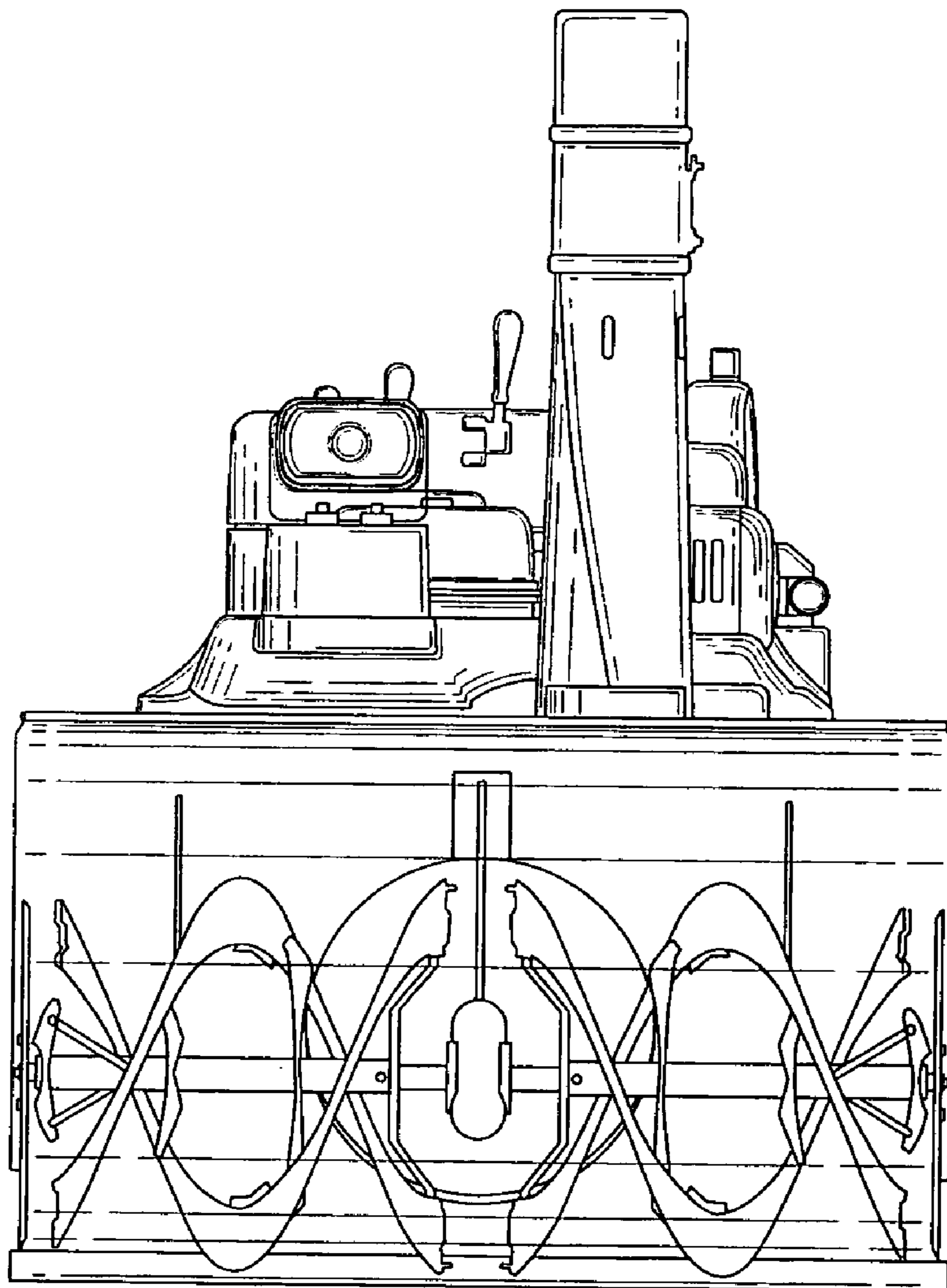


Fig.5

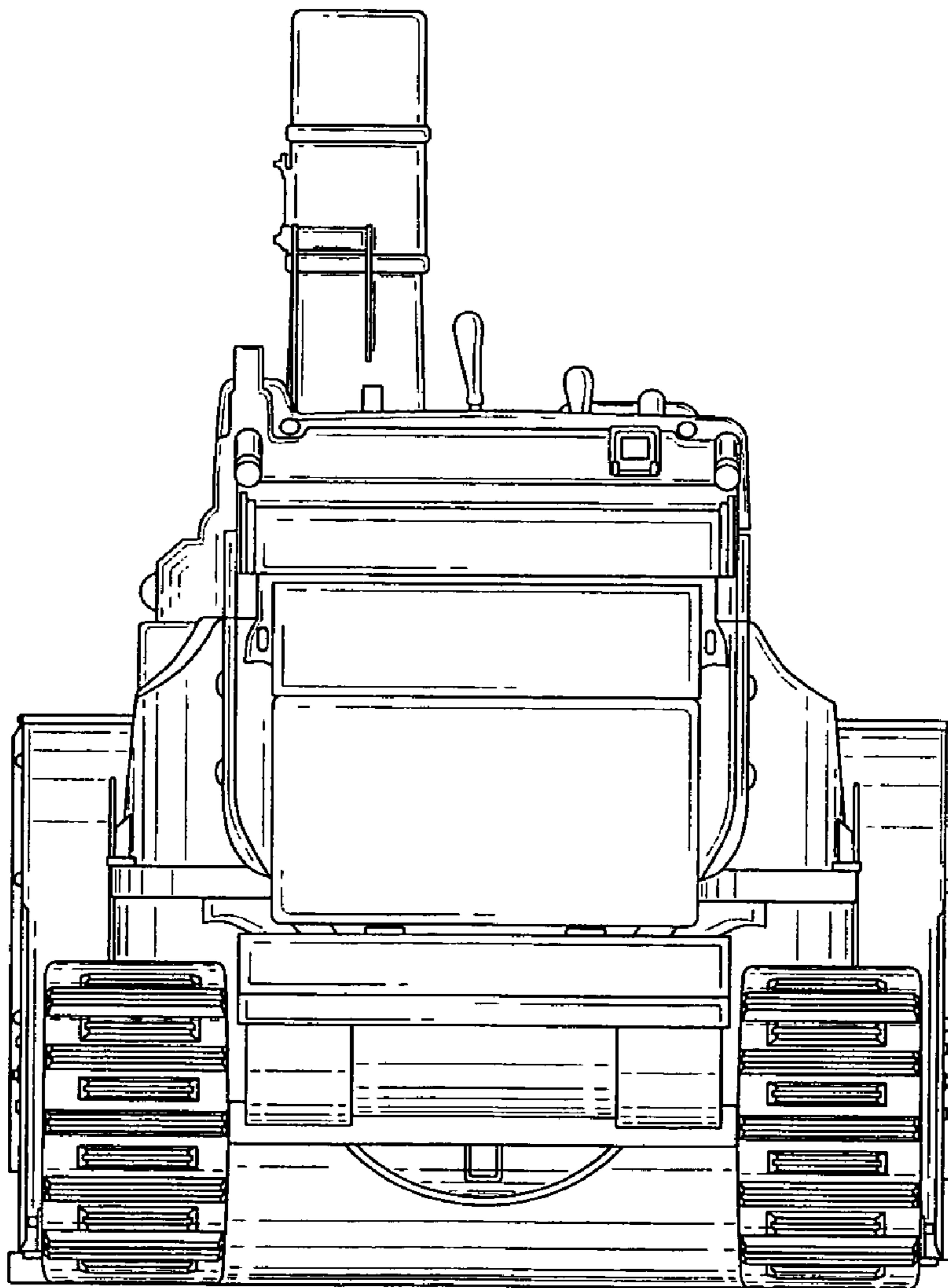


Fig.6

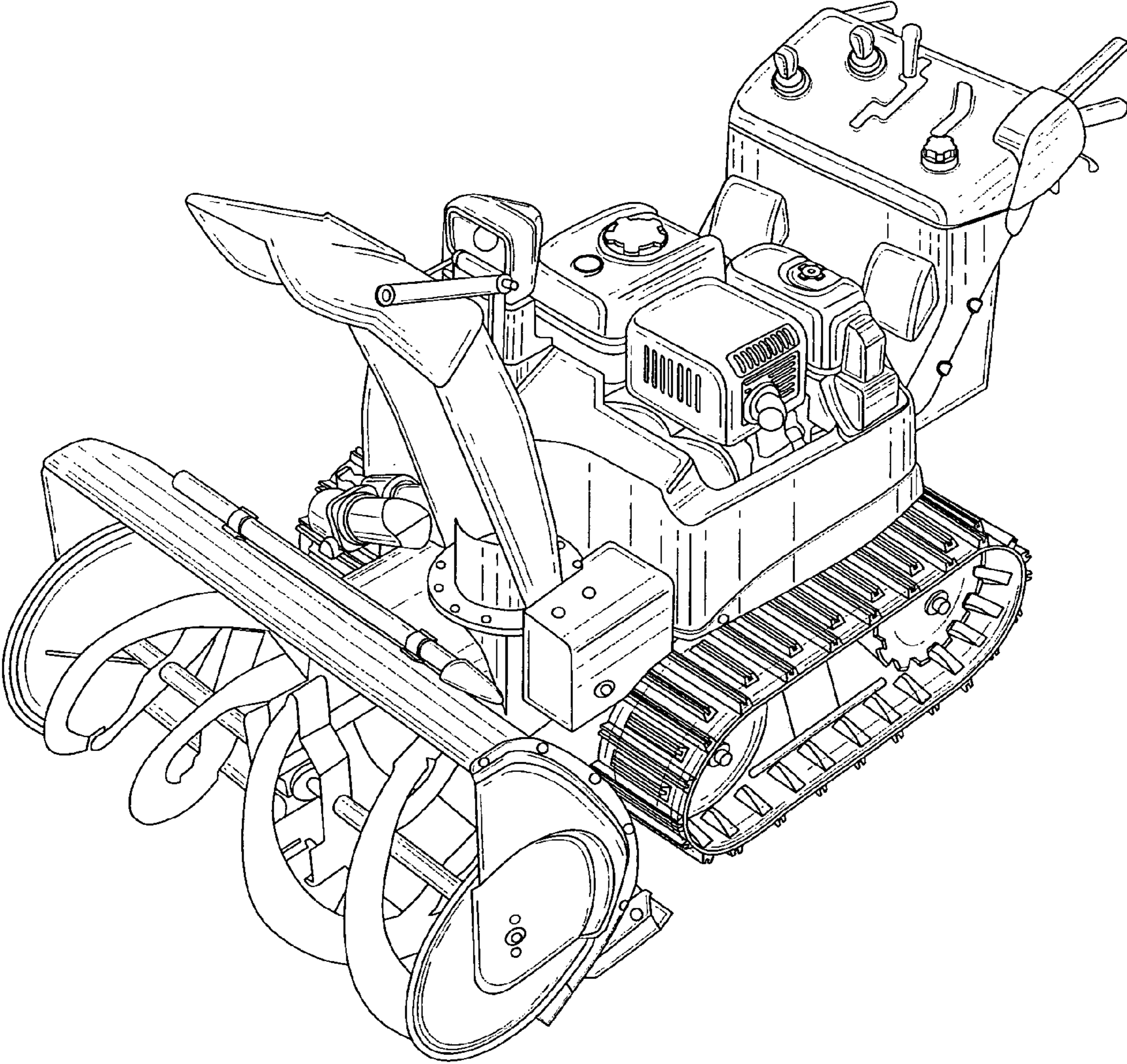


Fig.7

