



US00D554154S

(12) **United States Design Patent**
Hansen

(10) **Patent No.:** **US D554,154 S**

(45) **Date of Patent:** **** Oct. 30, 2007**

(54) **CONTROL BOX FOR A COMPRESSOR**

(75) Inventor: **Kristoffer Riemann Hansen**, Broager (DK)

(73) Assignee: **Danfoss A/S**, Nordborg (DK)

(**) Term: **14 Years**

(21) Appl. No.: **29/234,516**

(22) Filed: **Jul. 19, 2005**

(30) **Foreign Application Priority Data**

Jan. 22, 2005 (CN) 2005 3 0001529

(51) **LOC (8) Cl.** **15-02**

(52) **U.S. Cl.** **D15/9**

(58) **Field of Classification Search** D15/7-9;
D23/232, 231; 417/359, 415-416, 410.1,
417/321, 265, 405

See application file for complete search history.

(56) **References Cited**

U.S. PATENT DOCUMENTS

3,735,447	A *	5/1973	Abraham	24/6
3,982,303	A *	9/1976	Shulkin	24/6
4,229,877	A *	10/1980	Fagan	29/509
D271,587	S *	11/1983	Ise	D15/7
4,559,675	A *	12/1985	Devenny	24/5
4,852,220	A *	8/1989	Berardi	24/6
D327,481	S *	6/1992	Stephenson	D15/7
D331,240	S *	11/1992	Winn	D15/7
D332,269	S *	1/1993	Cook et al.	D15/7
5,836,017	A *	11/1998	Hironaga et al.	2/69
D409,522	S *	5/1999	Satterfield et al.	D11/200

D482,370	S *	11/2003	Niwatsukino et al.	D15/7
D482,698	S *	11/2003	Niwatsukino et al.	D15/7
D483,041	S *	12/2003	Niwatsukino et al.	D15/7
D491,932	S *	6/2004	Nakamura	D14/300
D492,325	S *	6/2004	Niwatsukino et al.	D15/7
D517,091	S *	3/2006	Sugiyama et al.	D15/7
D525,194	S *	7/2006	Nagai et al.	D13/110
D525,211	S *	7/2006	Tanabe et al.	D13/162
D525,586	S *	7/2006	Blake	D13/123

* cited by examiner

Primary Examiner—Ralf Seifert

(74) *Attorney, Agent, or Firm*—McCormick, Paulding & Huber LLP

(57) **CLAIM**

The ornamental design for a control box for a compressor, as shown and described.

DESCRIPTION

FIG. 1 is a perspective view as seen from the top and front of a control box for a compressor or similar article thereof.

FIG. 2 is a perspective view as seen from the top, front and left hand side of the control box for a compressor.

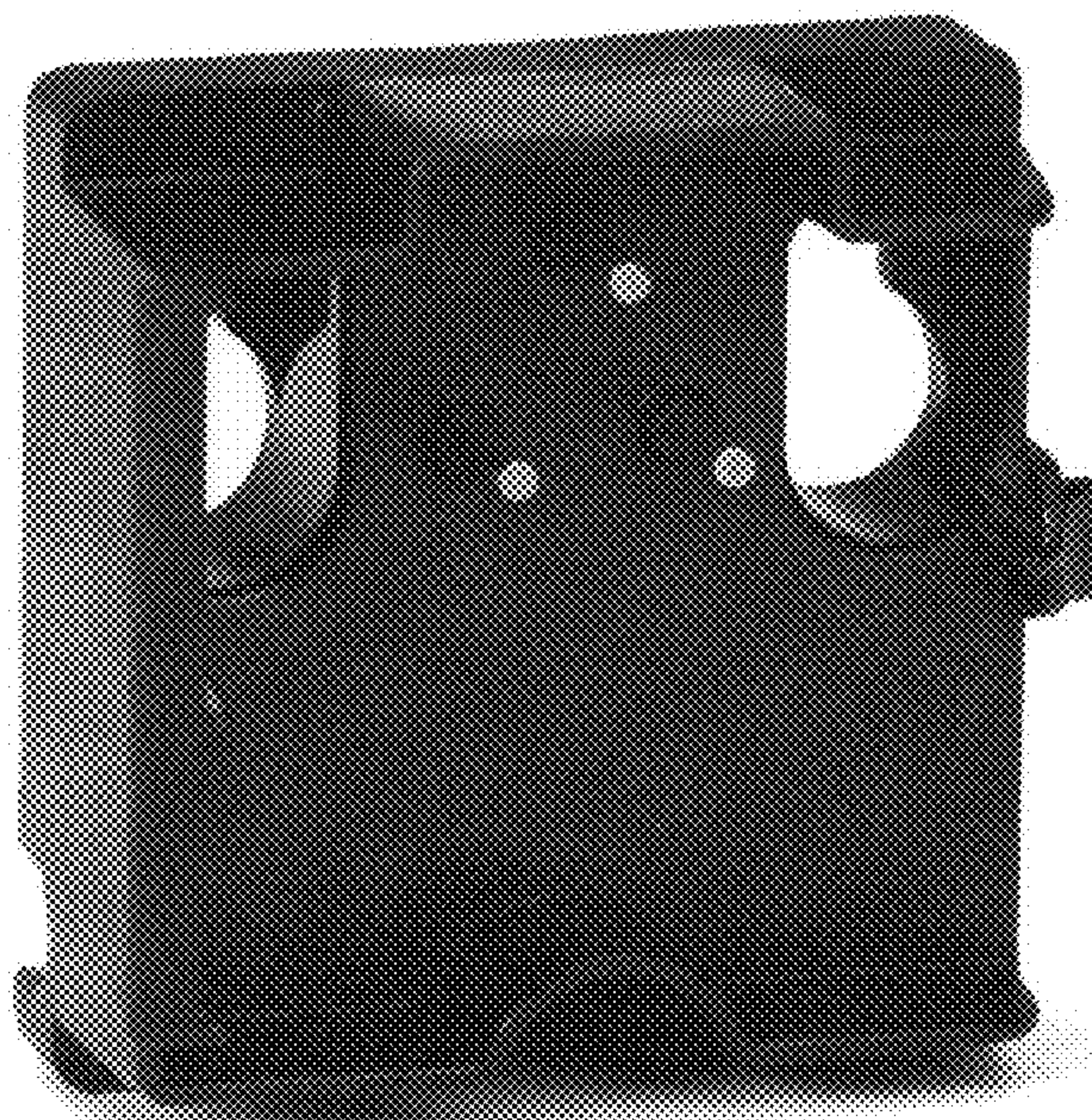
FIG. 3 is a perspective view as seen from the top, front and right hand side of the control box for a compressor.

FIG. 4 is a perspective view as seen from the top, rear and left hand side of the control box for a compressor; and,

FIG. 5 is a rear view of the control box for a compressor.

No claim is made to the bottom view which is omitted from the drawings.

1 Claim, 2 Drawing Sheets



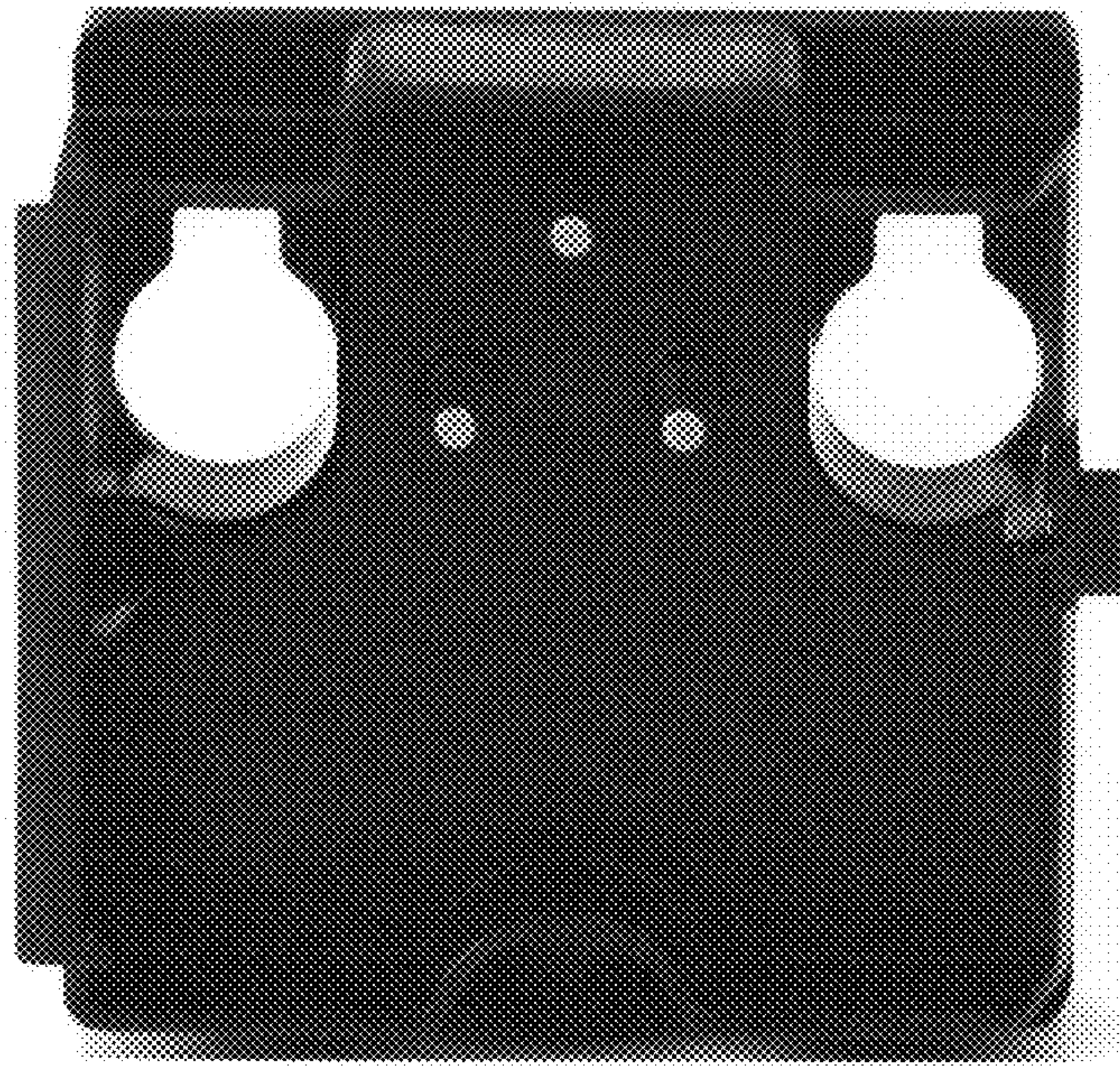


FIG. 1

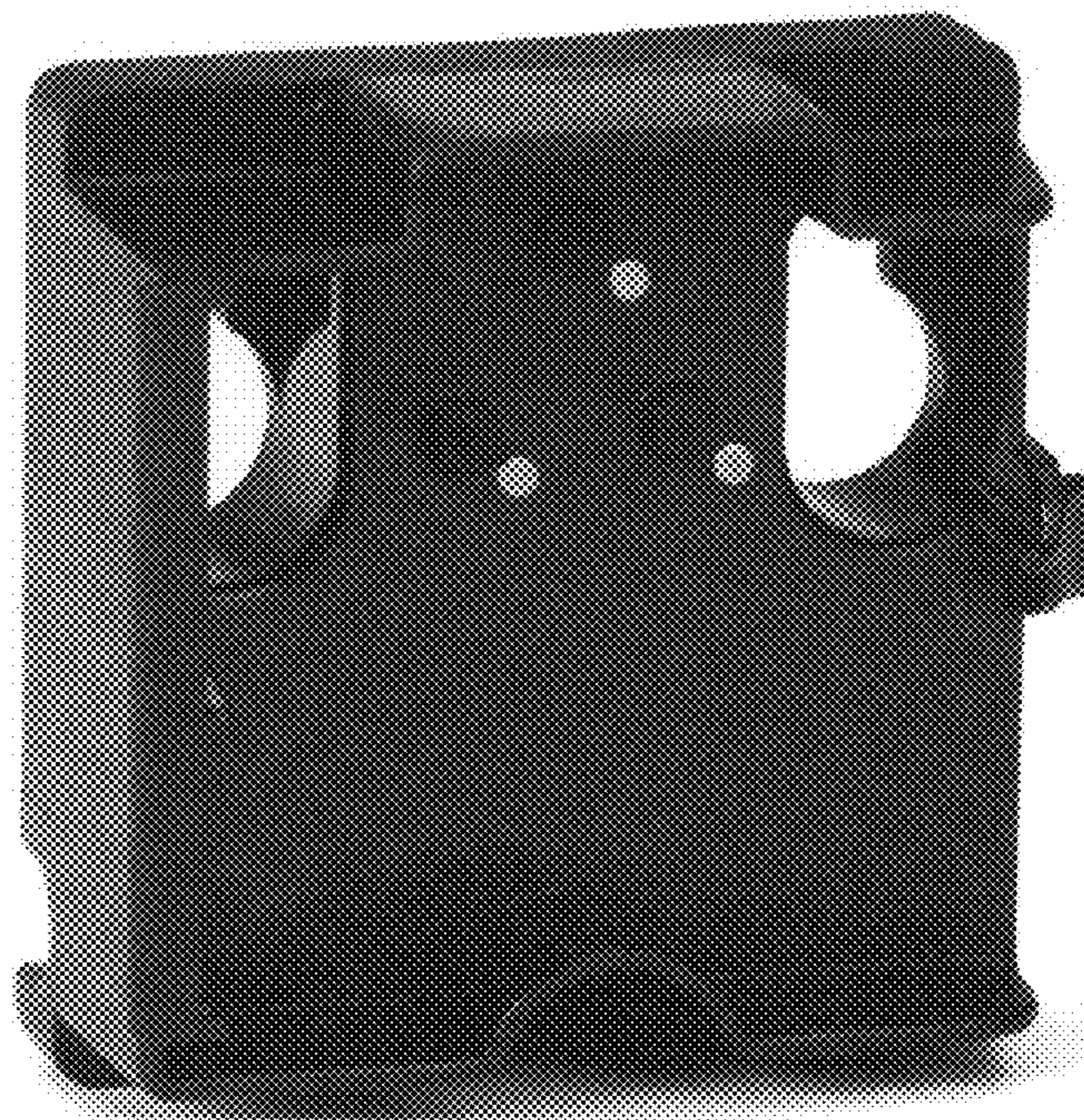


FIG. 2

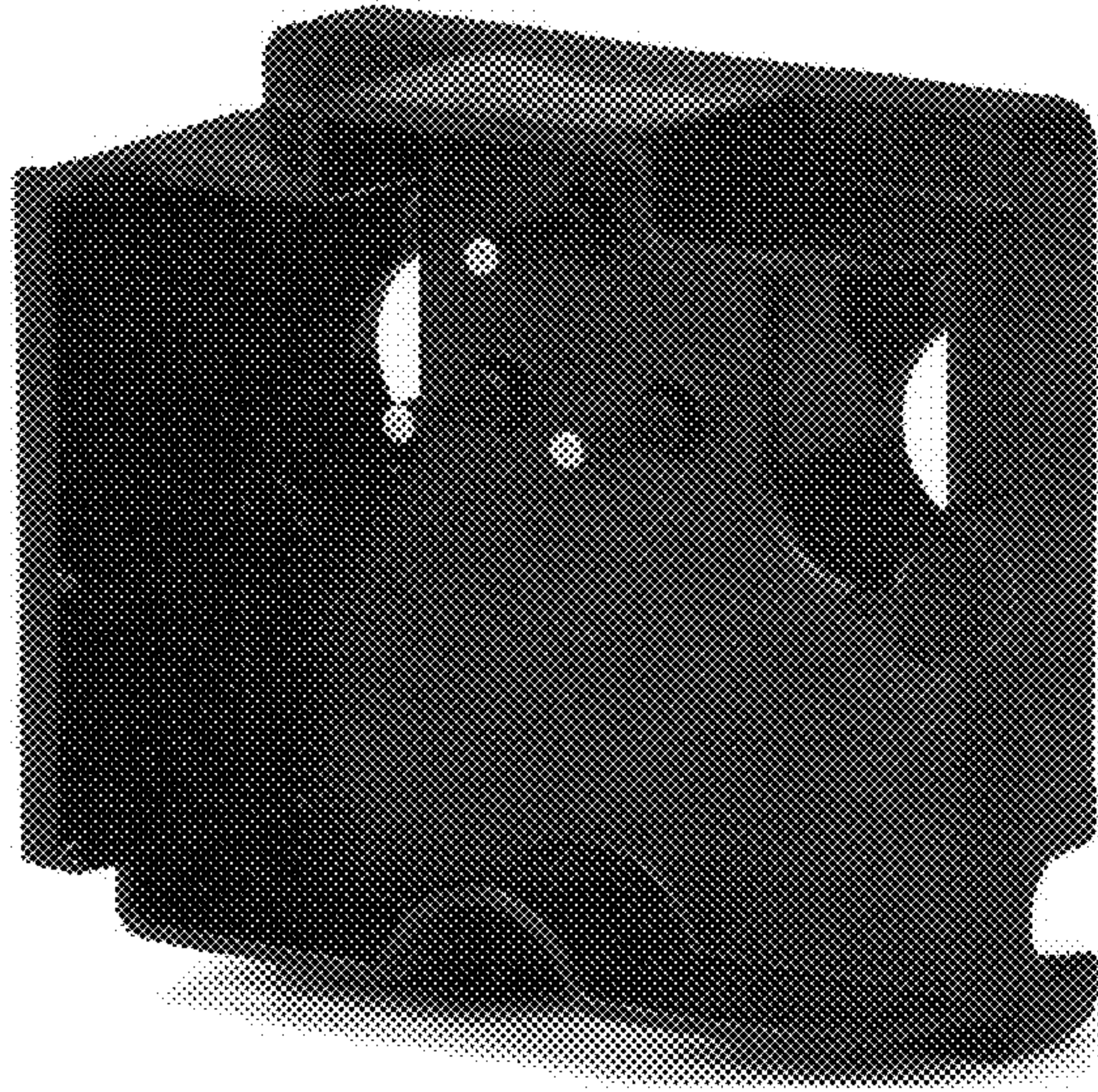


FIG. 3

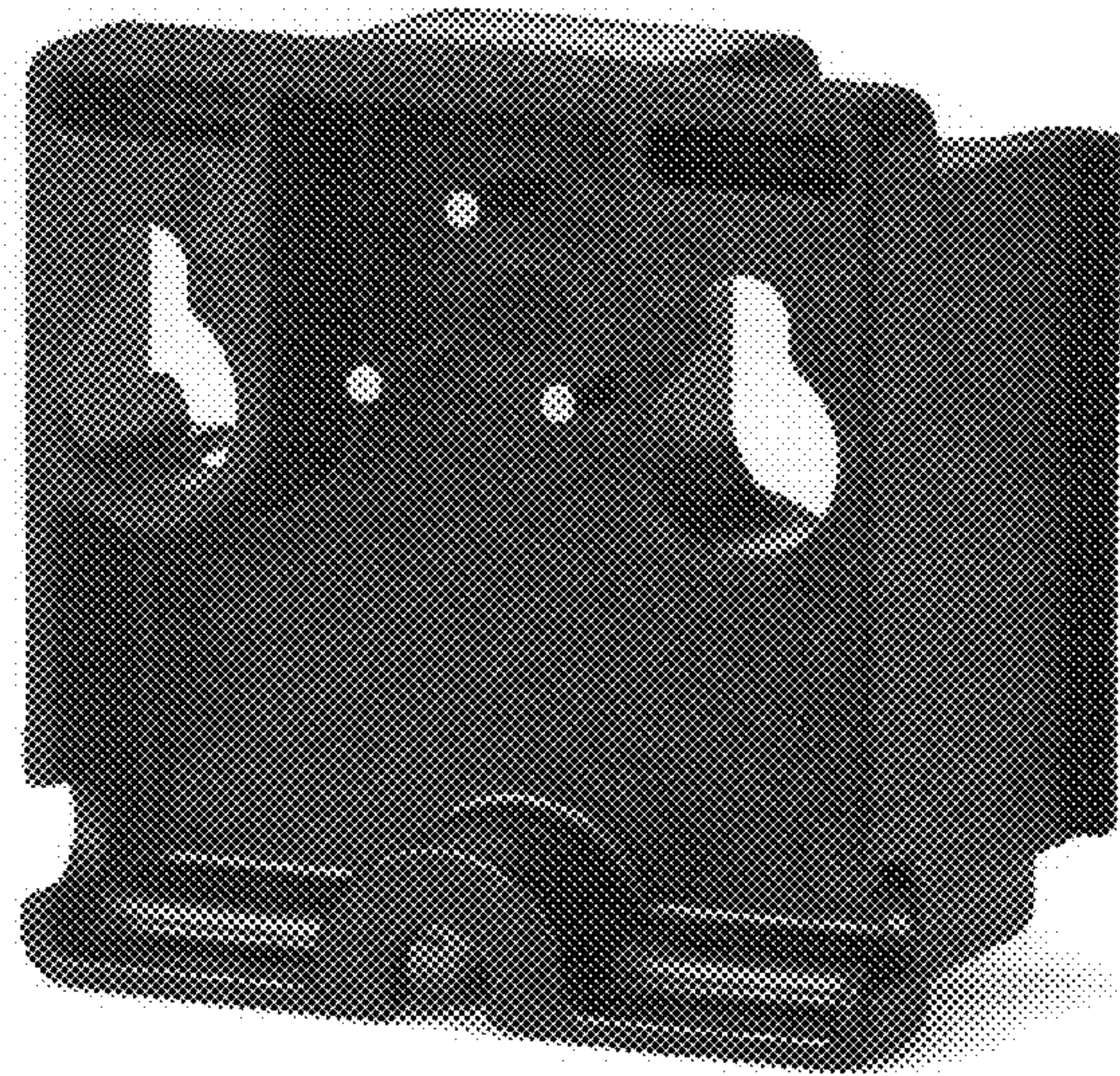


FIG. 4

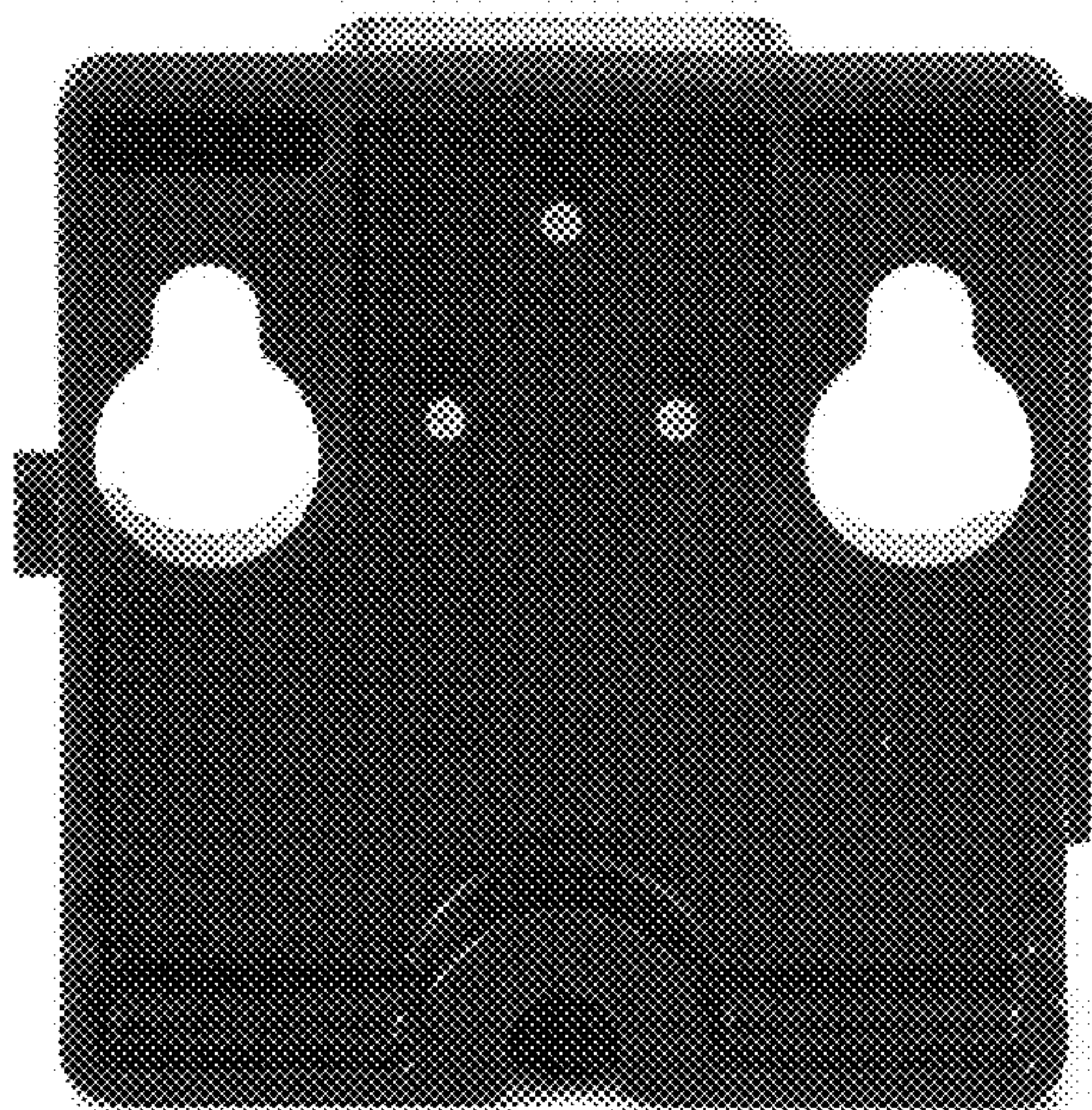


FIG. 5