



US00D554149S

(12) **United States Design Patent**  
**Kim**

(10) **Patent No.:** **US D554,149 S**  
(45) **Date of Patent:** **\*\* Oct. 30, 2007**

(54) **MP3 PLAYER**

(75) Inventor: **Han Kim**, Seoul (KR)

(73) Assignee: **Samsung Electronics Co., Ltd.**,  
Suwon-Si (KR)

(\*\*) Term: **14 Years**

(21) Appl. No.: **29/264,909**

(22) Filed: **Aug. 22, 2006**

(51) **LOC (8) Cl.** ..... **14-01**

(52) **U.S. Cl.** ..... **D14/496**

(58) **Field of Classification Search** ..... D14/496,  
D14/401, 435, 474, 483, 217, 137, 138, 160,  
D14/168; 345/156, 169, 173–179, 905; 715/727–729,  
715/864; 455/11.1, 7, 73, 344–347, 93, 95;  
370/342–344; 369/1, 2, 6, 12; 463/43–47;  
273/148 B

See application file for complete search history.

(56) **References Cited**

**U.S. PATENT DOCUMENTS**

D489,052 S *	4/2004	Shiraki et al.	.....	D14/156
D491,902 S *	6/2004	Chen	.....	D14/126
6,769,603 B2 *	8/2004	Nagai et al.	.....	235/375
D501,485 S *	2/2005	Lian et al.	.....	D14/496
6,934,568 B2 *	8/2005	Charlier et al.	.....	455/575.3
D509,833 S *	9/2005	Yang	.....	D14/496
D511,347 S *	11/2005	Naruki	.....	D14/496

D513,512 S *	1/2006	Tsai	.....	D14/496
D517,088 S *	3/2006	Chong et al.	.....	D14/496
7,028,127 B2 *	4/2006	Kang et al.	.....	710/303
7,046,230 B2 *	5/2006	Zadesky et al.	.....	345/156
D541,812 S *	5/2007	Wang	.....	D14/496

\* cited by examiner

*Primary Examiner*—Prabhakar Deshmukh  
(74) *Attorney, Agent, or Firm*—Staas & Halsey LLP

(57) **CLAIM**

The ornamental design for an MP3 player, as shown and described.

**DESCRIPTION**

FIG. 1 is a perspective view of an MP3 player according to my new design;

FIG. 2 is a front elevational view thereof;

FIG. 3 is a rear elevational view thereof;

FIG. 4 is a left side elevational view thereof;

FIG. 5 is a right side elevational view thereof;

FIG. 6 is a top plan view thereof;

FIG. 7 is a bottom plan view thereof; and,

FIG. 8 is a perspective view of the MP3 player according to my new design showing that a rear speaker portion may be dividely extracted from a front body.

**1 Claim, 8 Drawing Sheets**

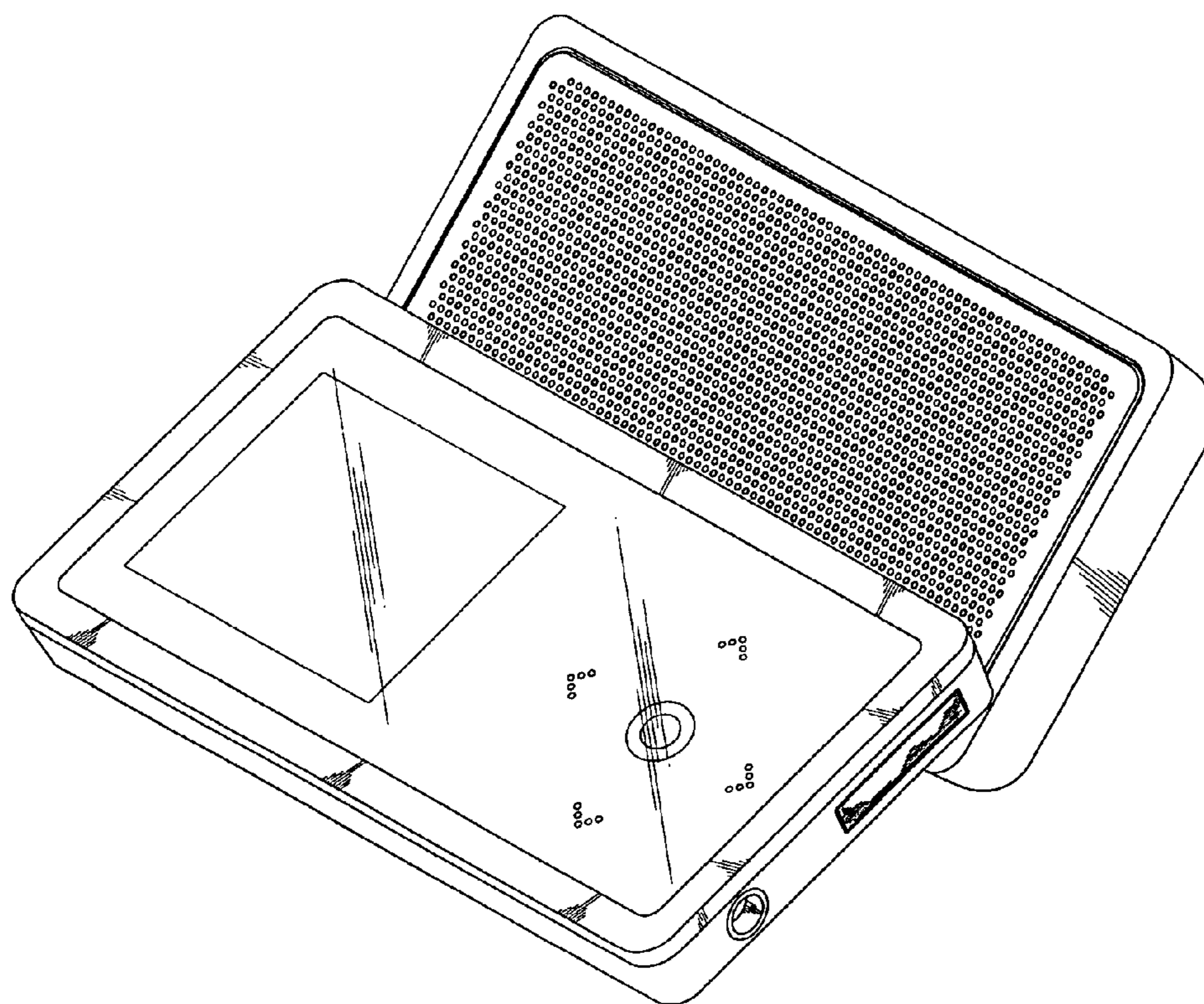


FIG. 1

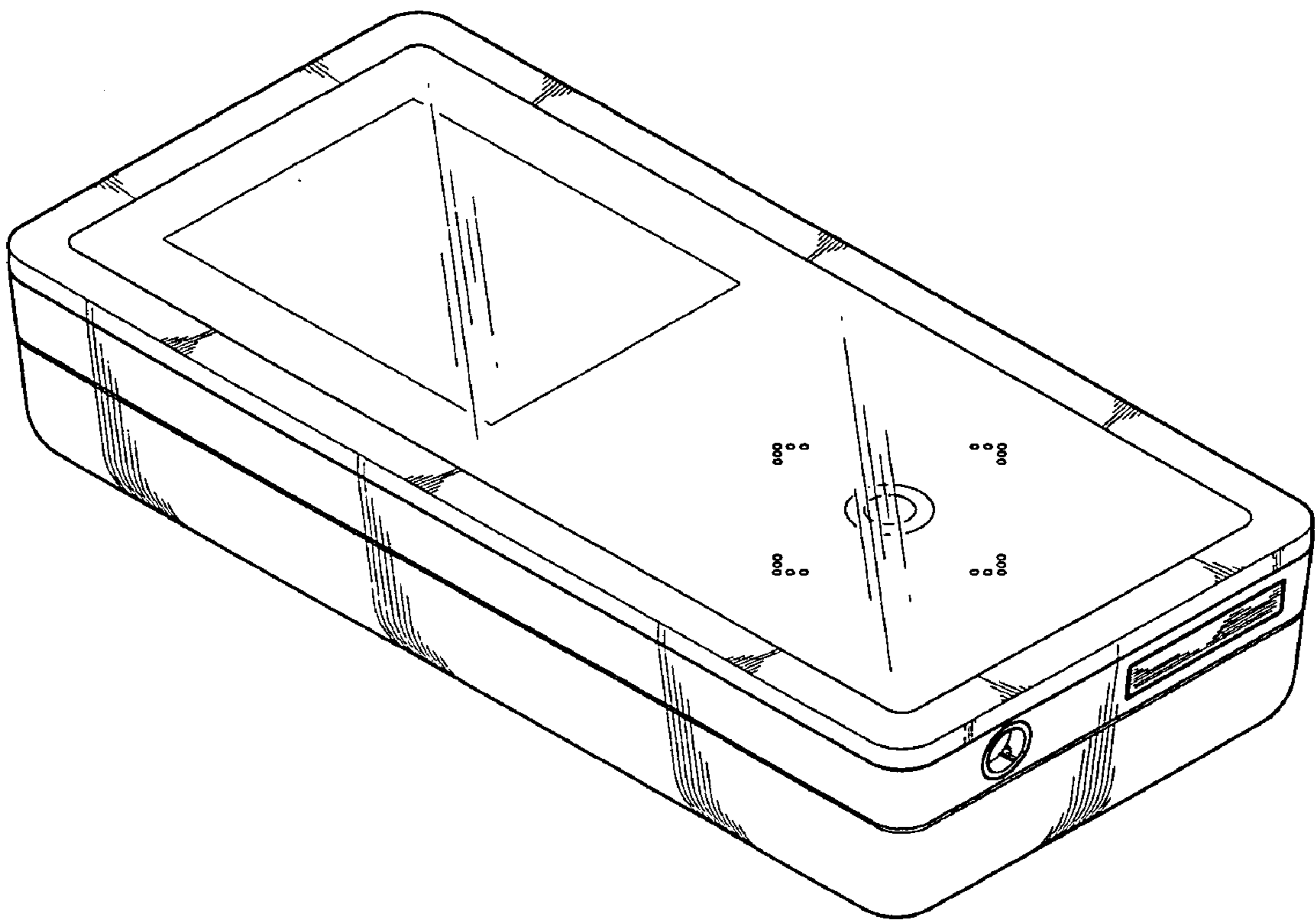


FIG. 2

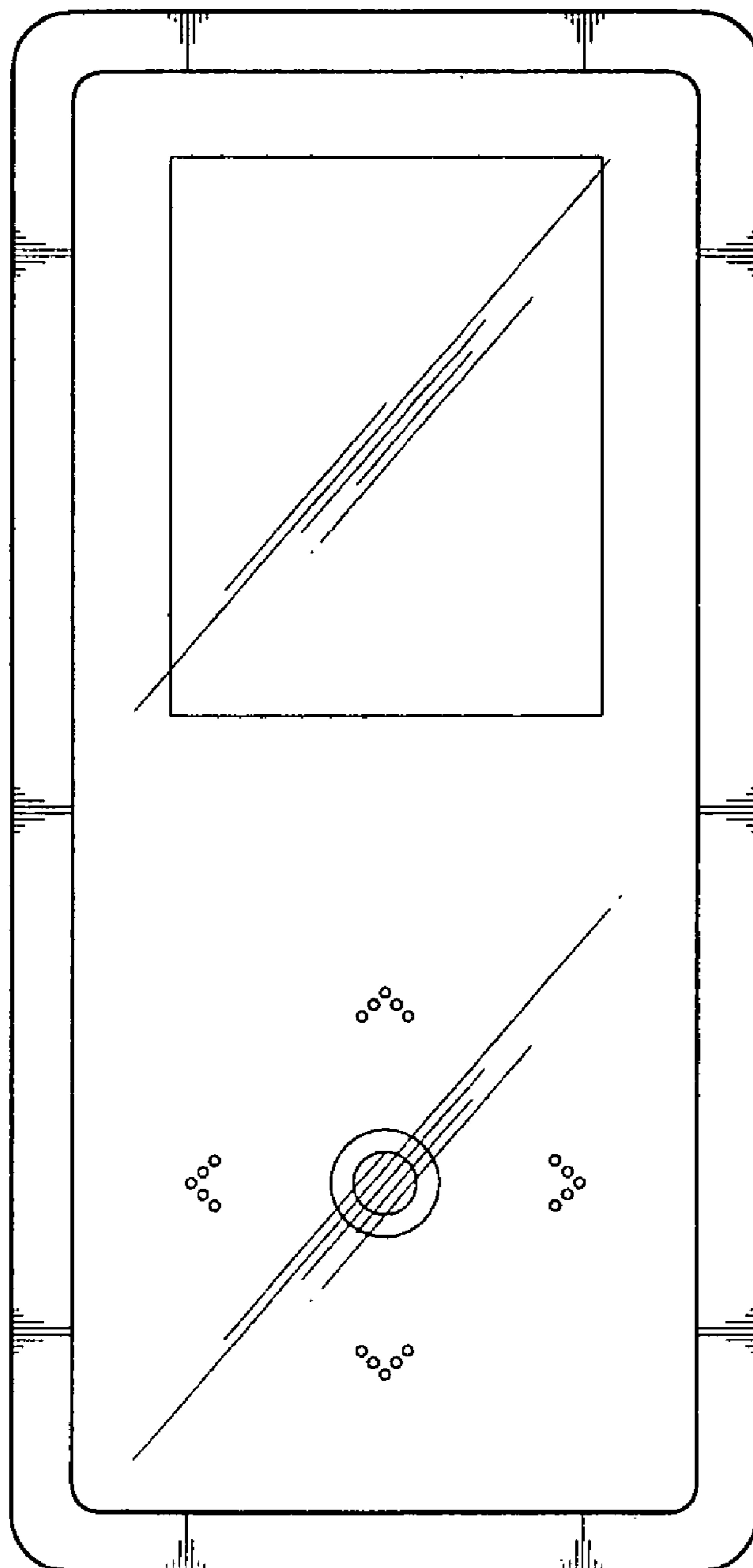


FIG. 3

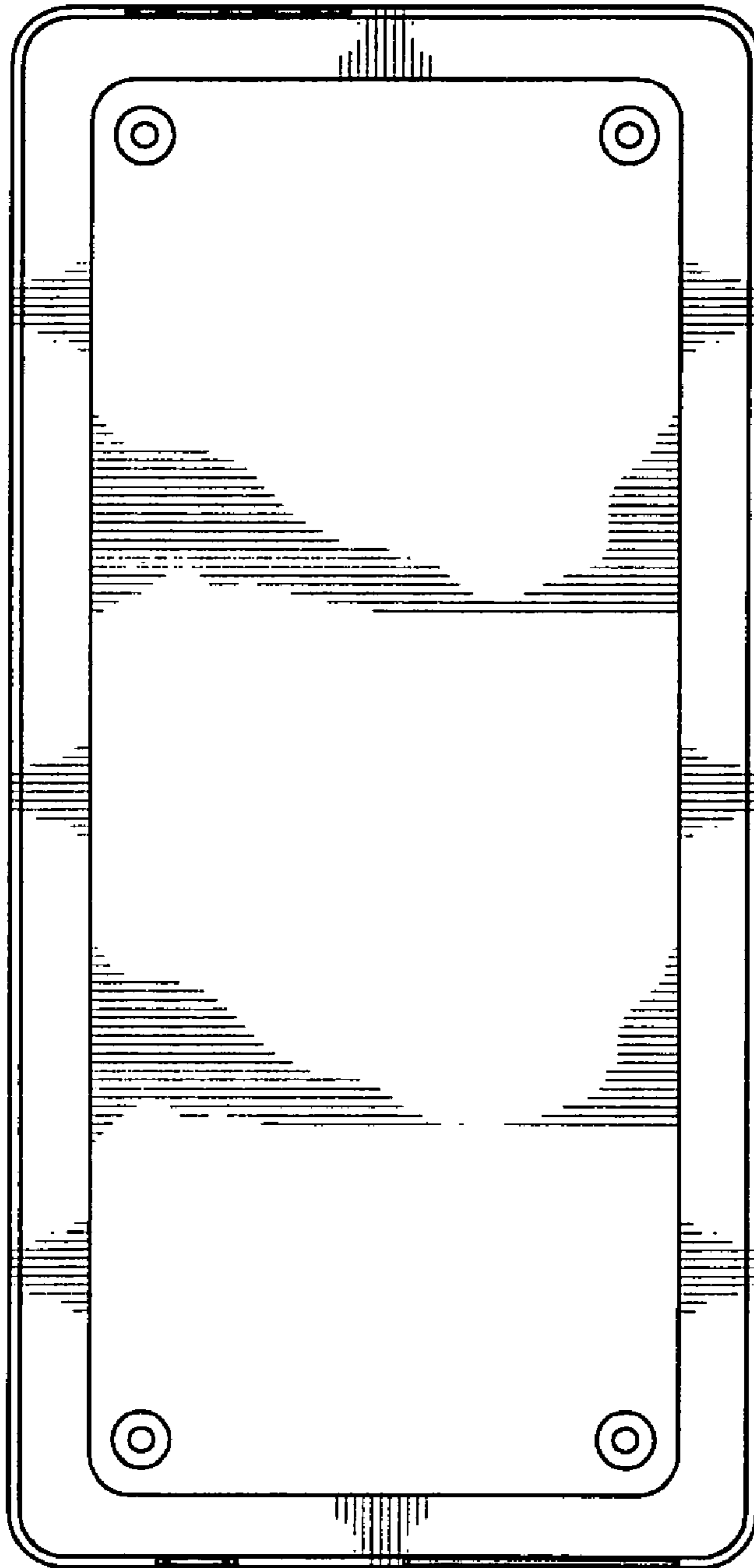


FIG. 4

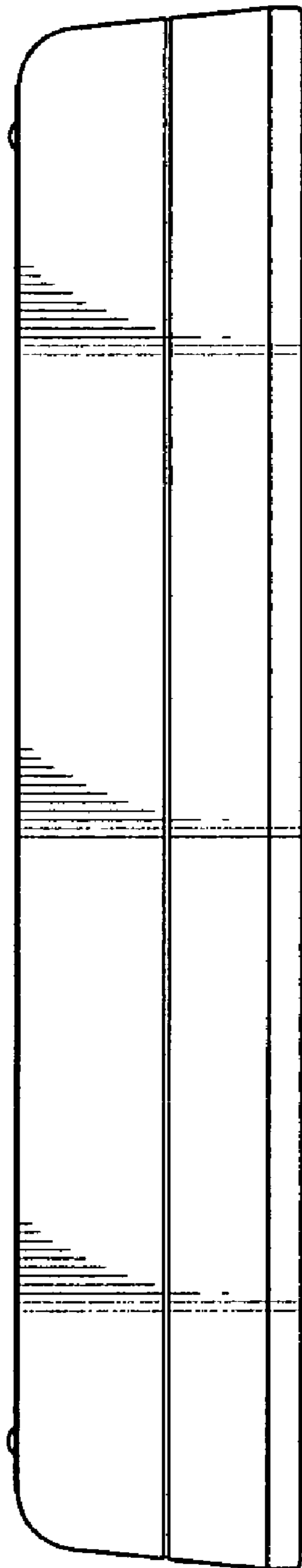


FIG. 5

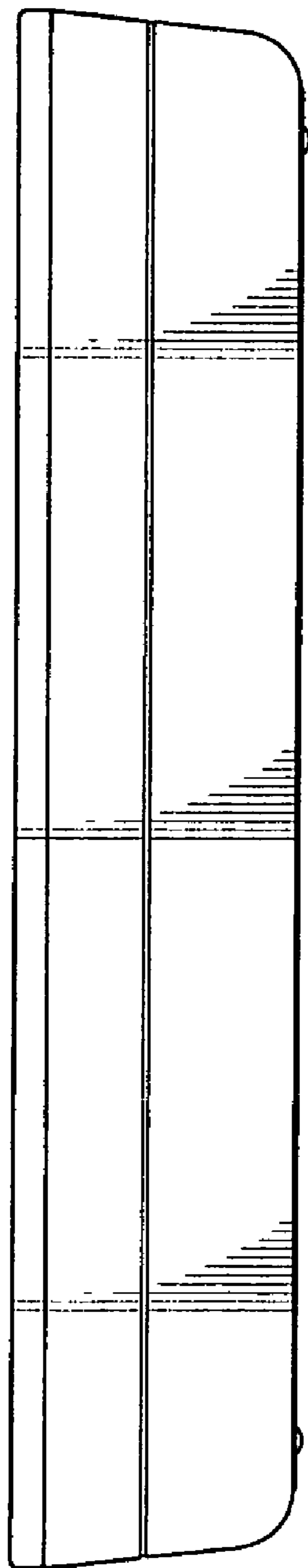


FIG. 6

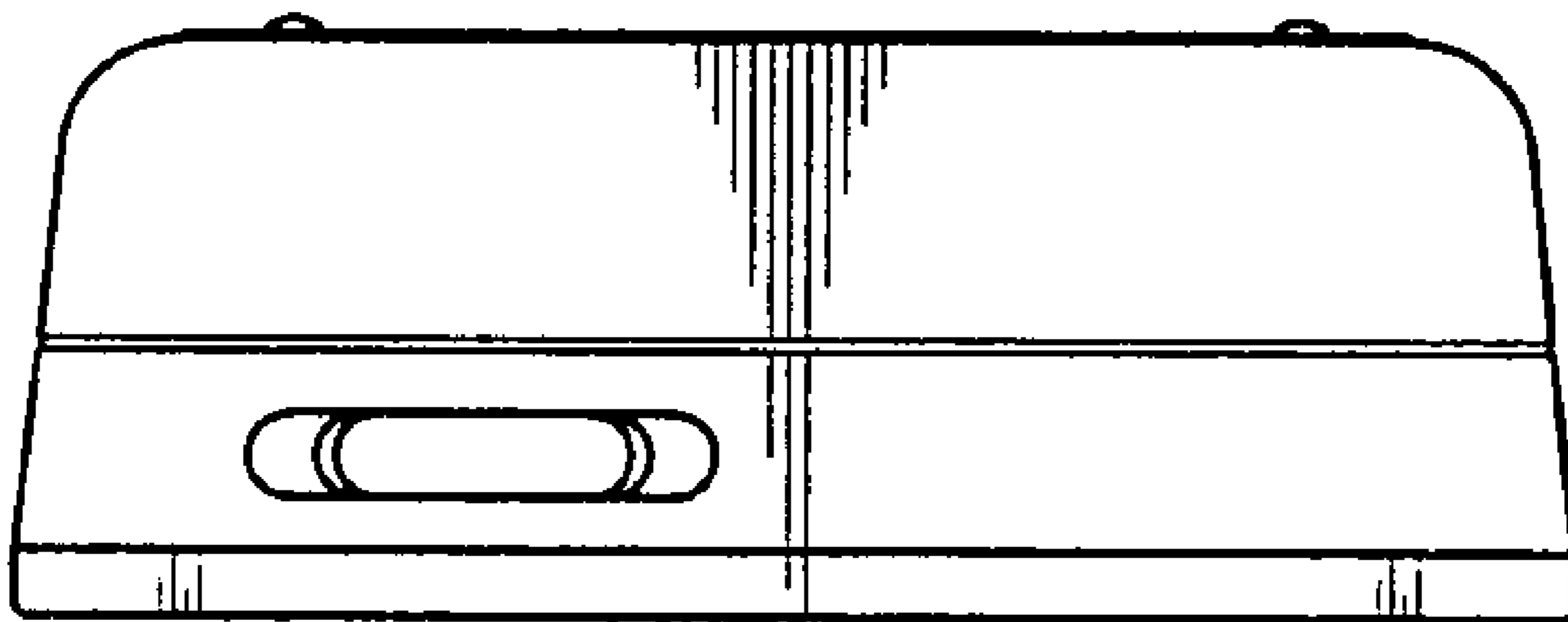


FIG. 7

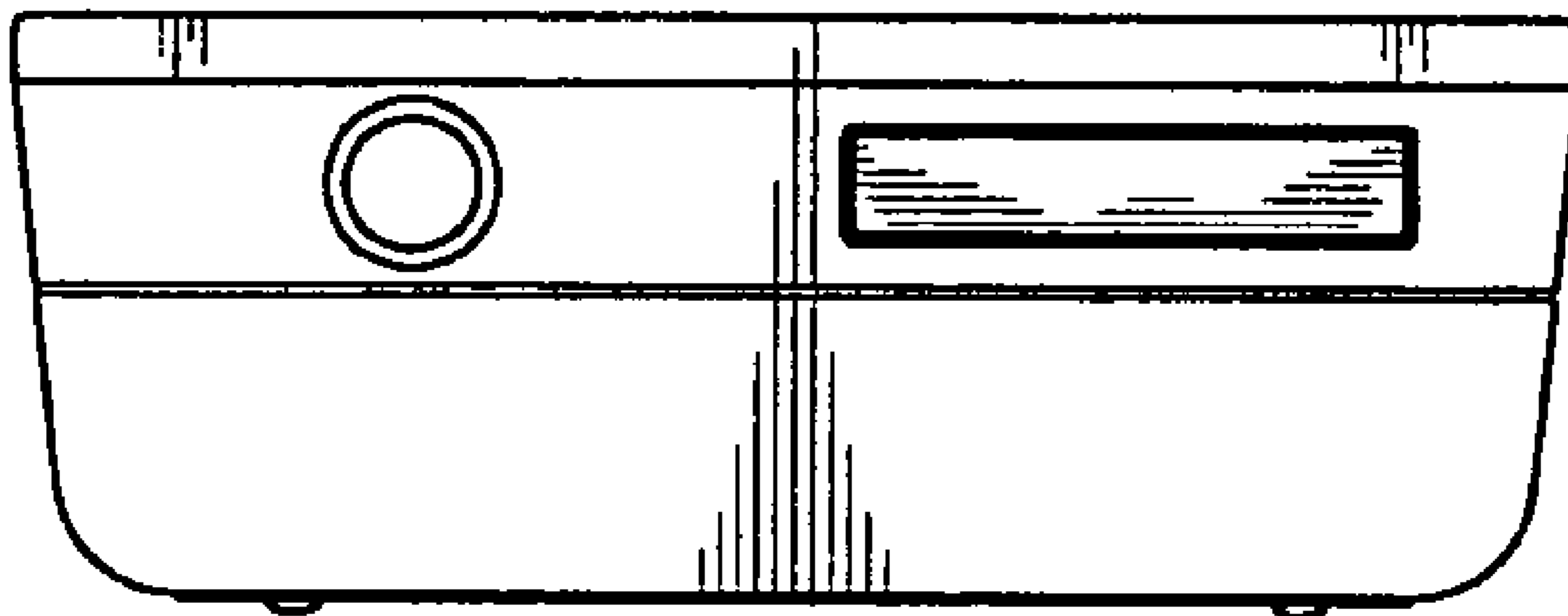




FIG. 8

