



US00D554147S

(12) **United States Design Patent**
Huang

(10) **Patent No.:** **US D554,147 S**

(45) **Date of Patent:** **** Oct. 30, 2007**

(54) **USER INTERFACE MODULE**

(75) Inventor: **Chao (Adam) Huang**, Jianguomen (CN)

(73) Assignee: **Motorola, Inc.**, Schaumburg, IL (US)

(**) Term: **14 Years**

(21) Appl. No.: **29/250,026**

(22) Filed: **Oct. 31, 2006**

(51) **LOC (8) Cl.** **14-03**

(52) **U.S. Cl.** **D14/496; D14/156**

(58) **Field of Classification Search** D14/496, D14/401, 435, 474, 483, 217, 137, 138, 160, D14/168; 345/156, 169, 173-179, 905; 715/727-729, 715/864; 455/11, 17, 73, 344-347; 370/342-344; 360/1, 2, 6, 12; 463/43-47; 273/148 B
See application file for complete search history.

(56) **References Cited**

U.S. PATENT DOCUMENTS

- D442,934 S * 5/2001 Volanski D14/156
- D464,941 S * 10/2002 Latto et al. D14/156
- 6,606,281 B2 * 8/2003 Cowgill et al. 369/11

- D486,133 S * 2/2004 Martinez et al. D14/156
- 6,791,907 B2 * 9/2004 Berhan 369/7
- D521,023 S * 5/2006 Kim et al. D14/496
- D543,994 S * 6/2007 Kurihara D14/496

* cited by examiner

Primary Examiner—Prabhakar Deshmukh

(74) *Attorney, Agent, or Firm*—David S. Noskowicz

(57) **CLAIM**

The ornamental design for a user interface module, as shown and described.

DESCRIPTION

FIG. 1 is a perspective view of a user interface module showing my new design;

FIG. 2 is a front elevational view thereof;

FIG. 3 is a rear elevational view thereof;

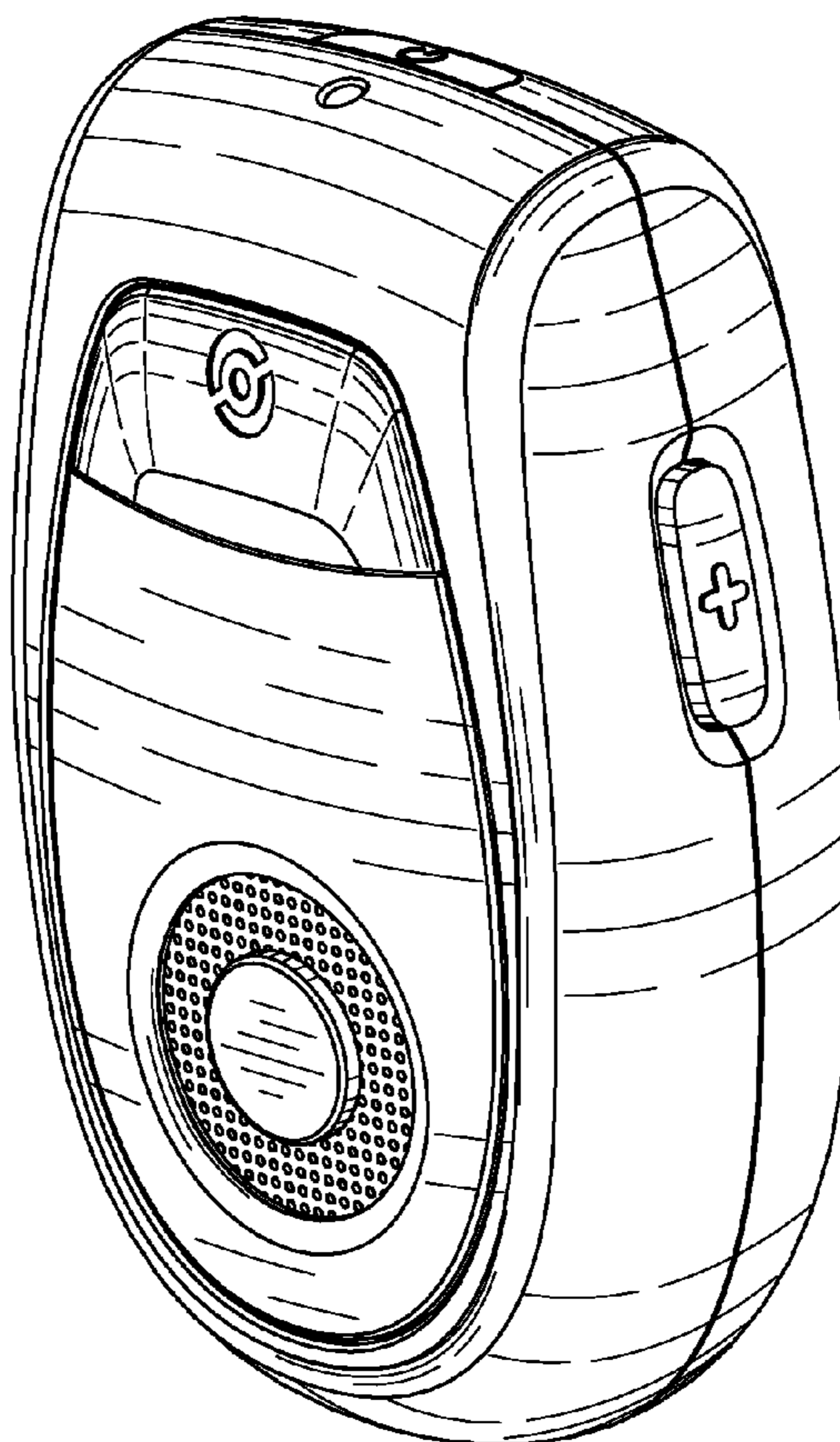
FIG. 4 is a left side elevational view thereof;

FIG. 5 is a right side elevational view thereof;

FIG. 6 is a top plan view thereof; and,

FIG. 7 is a bottom plan view thereof.

1 Claim, 5 Drawing Sheets



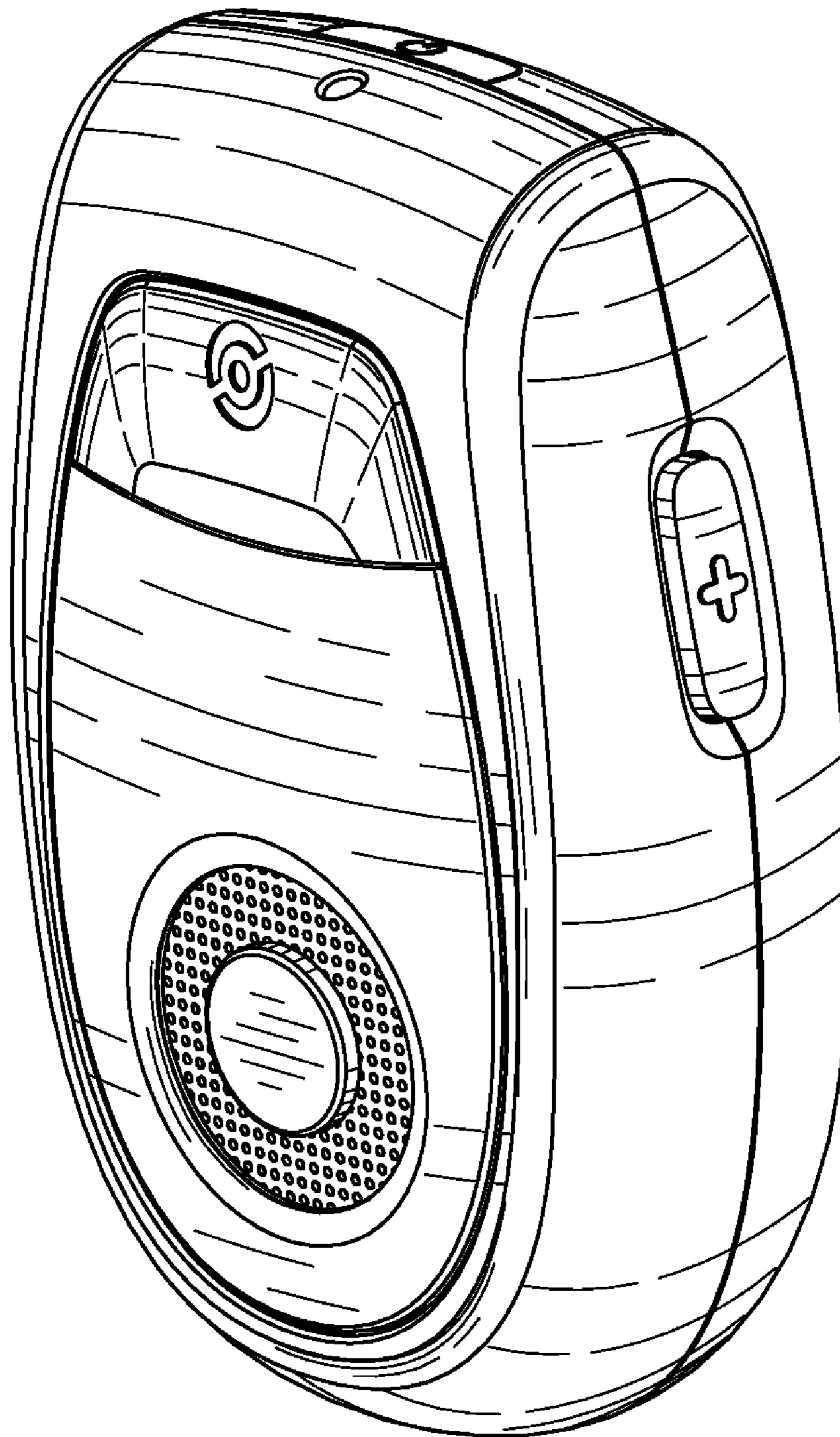


FIG. 1

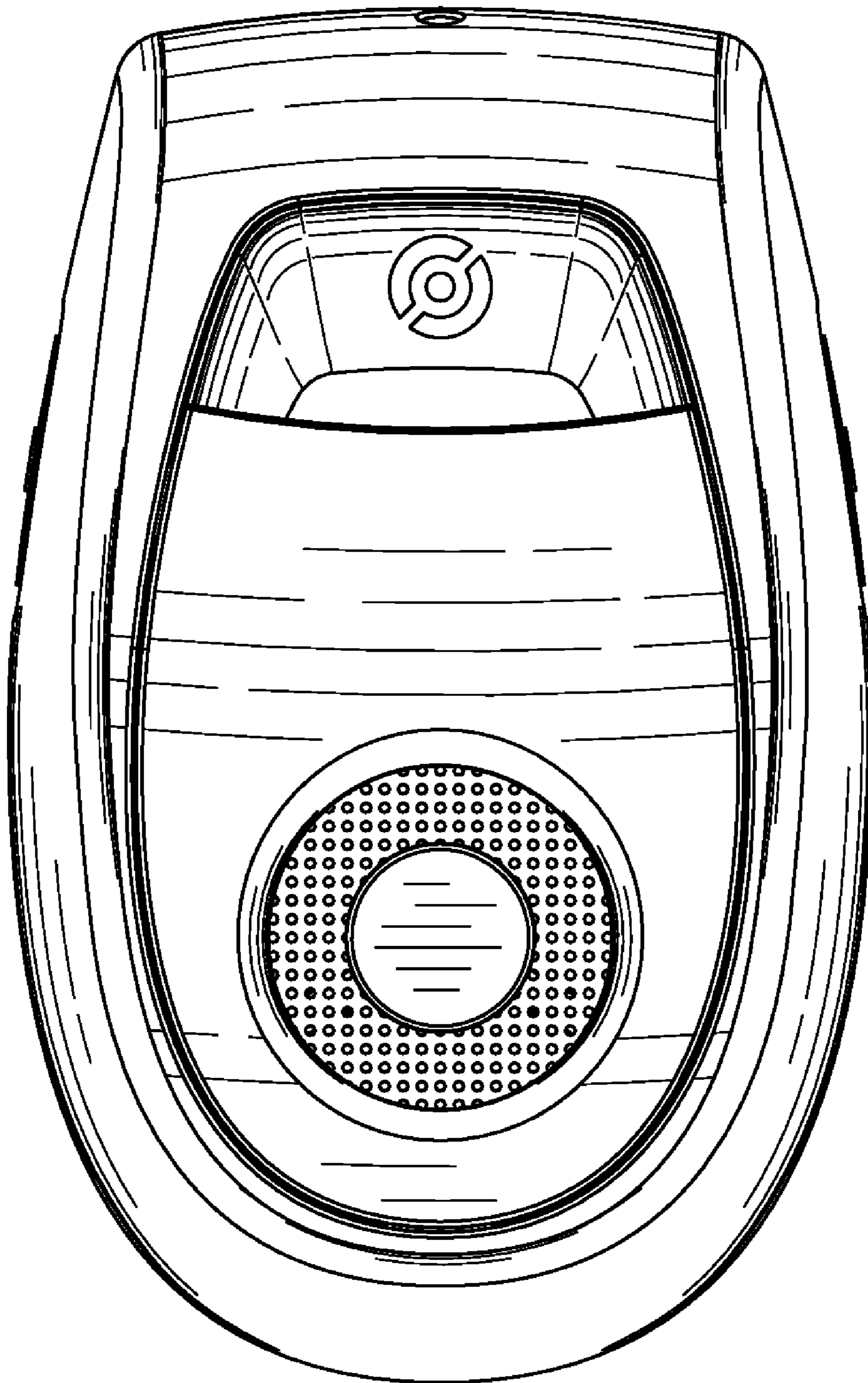


FIG. 2

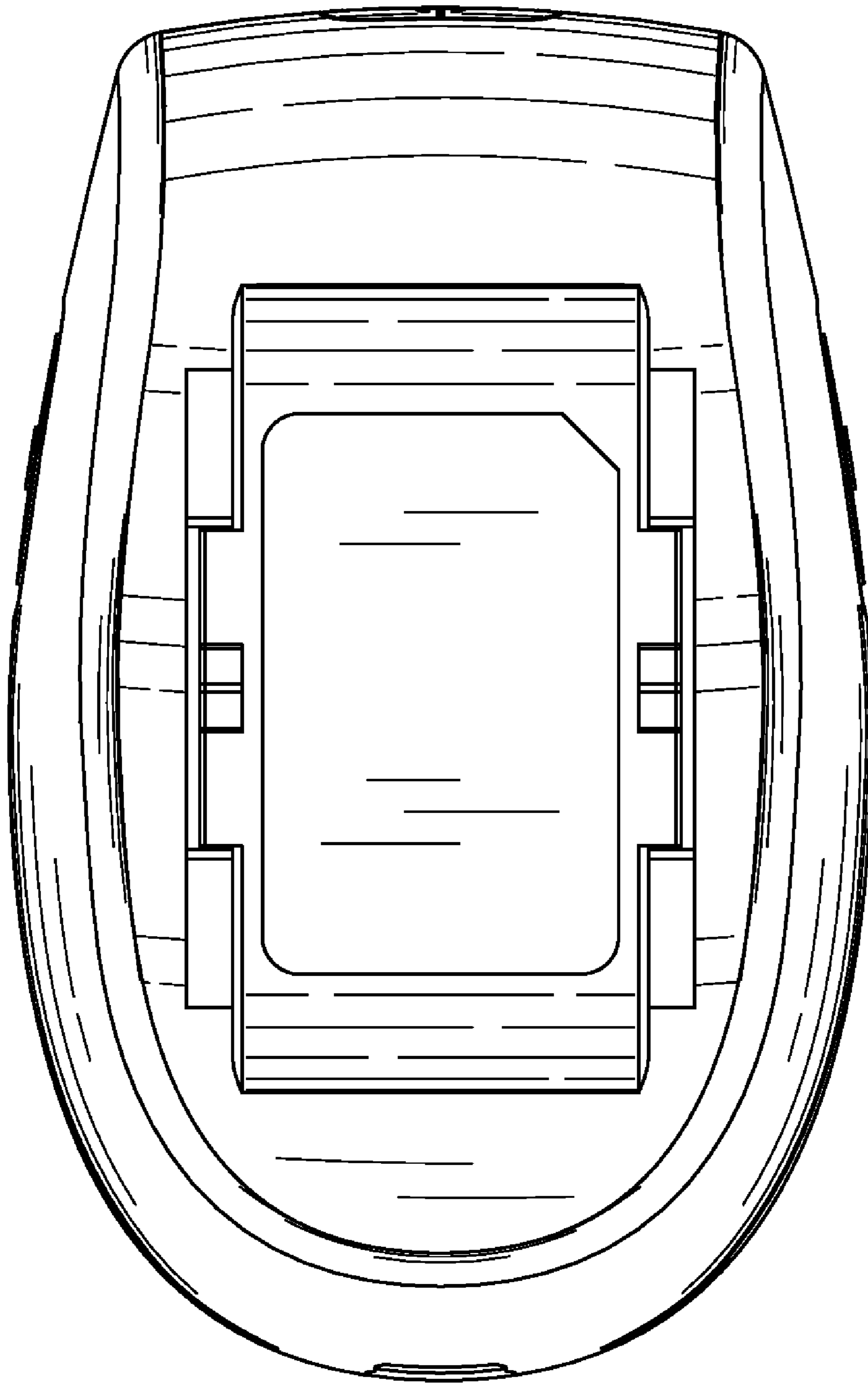


FIG. 3

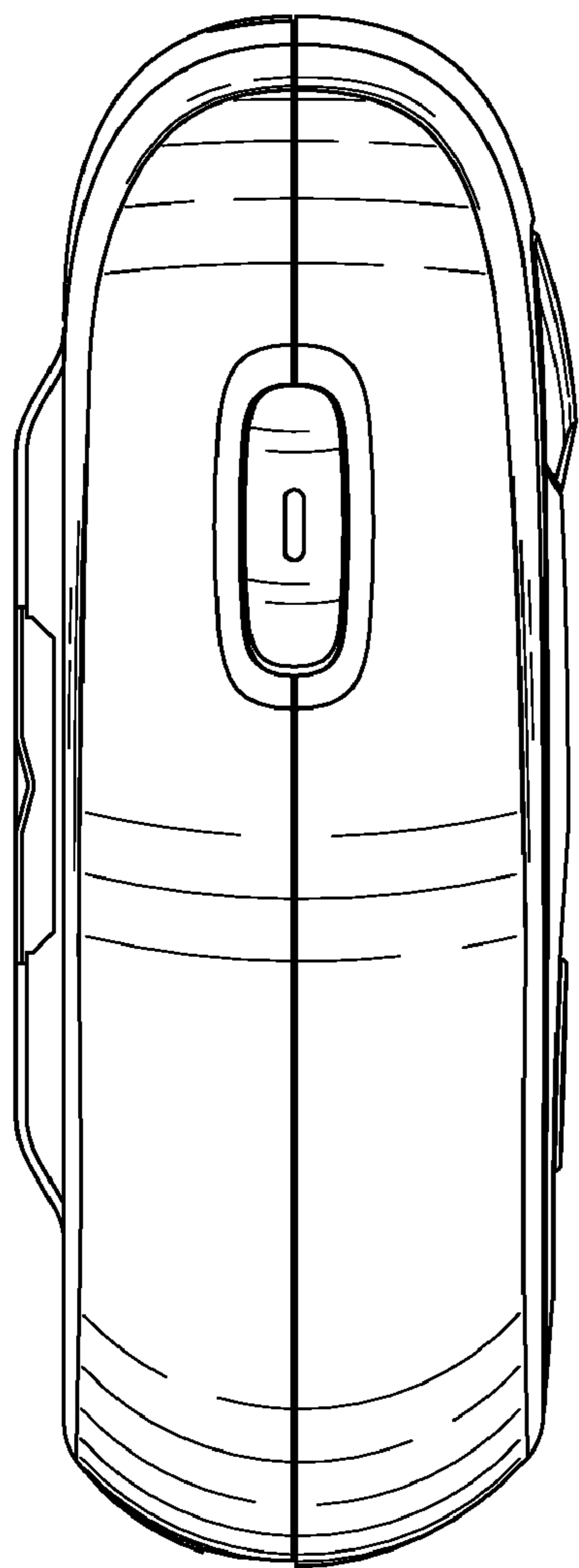


FIG. 4

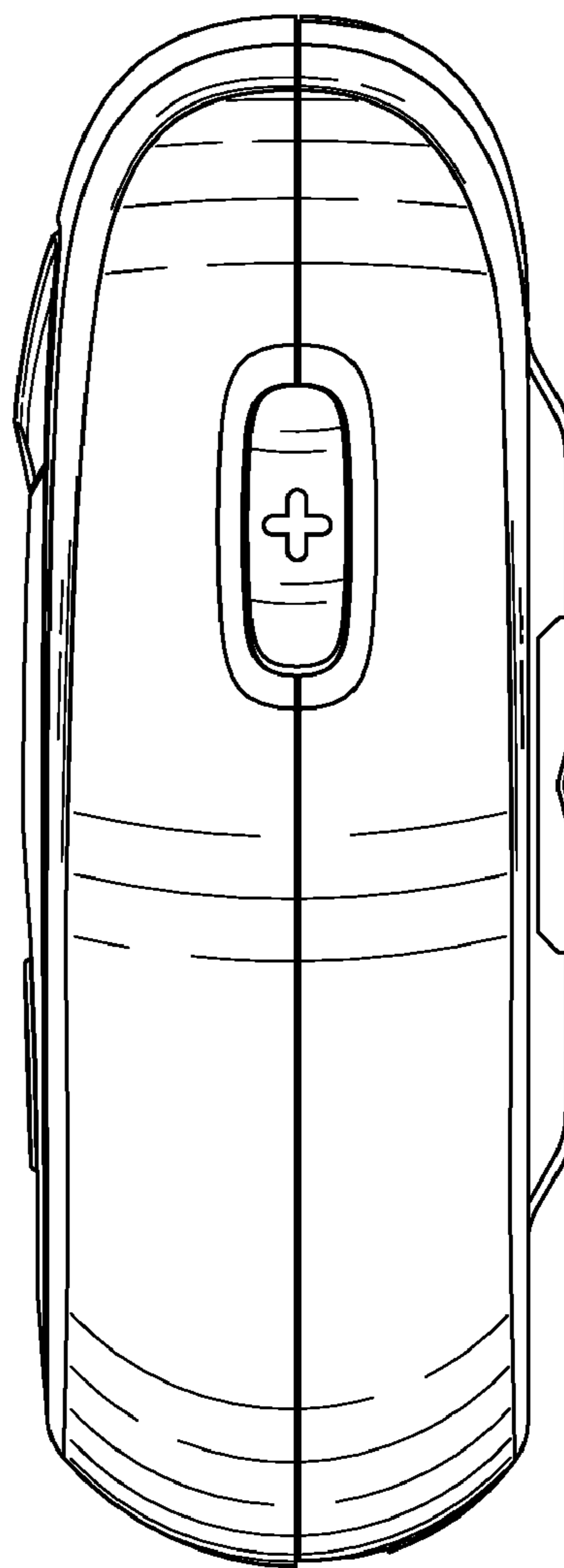


FIG. 5

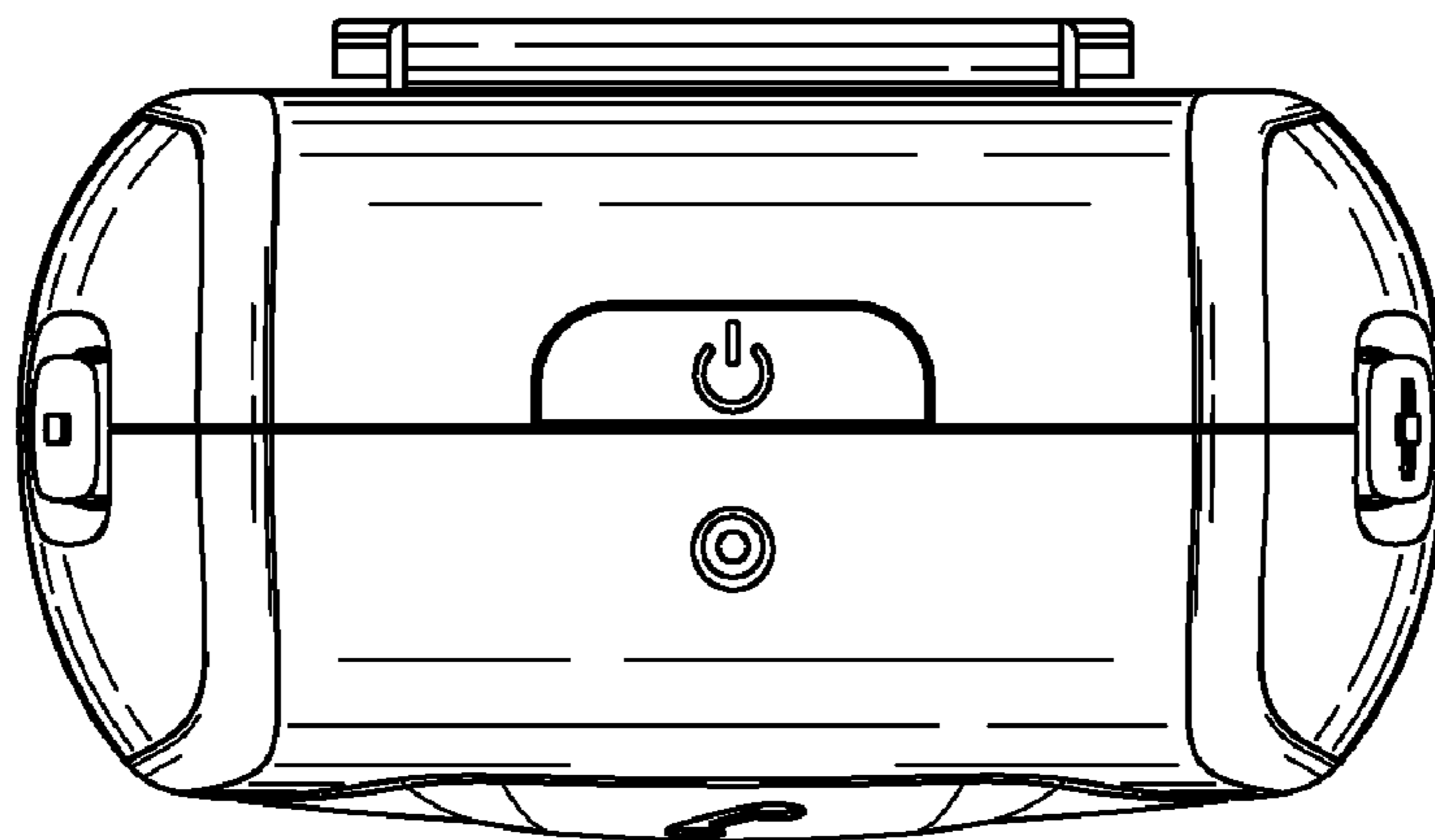


FIG. 6

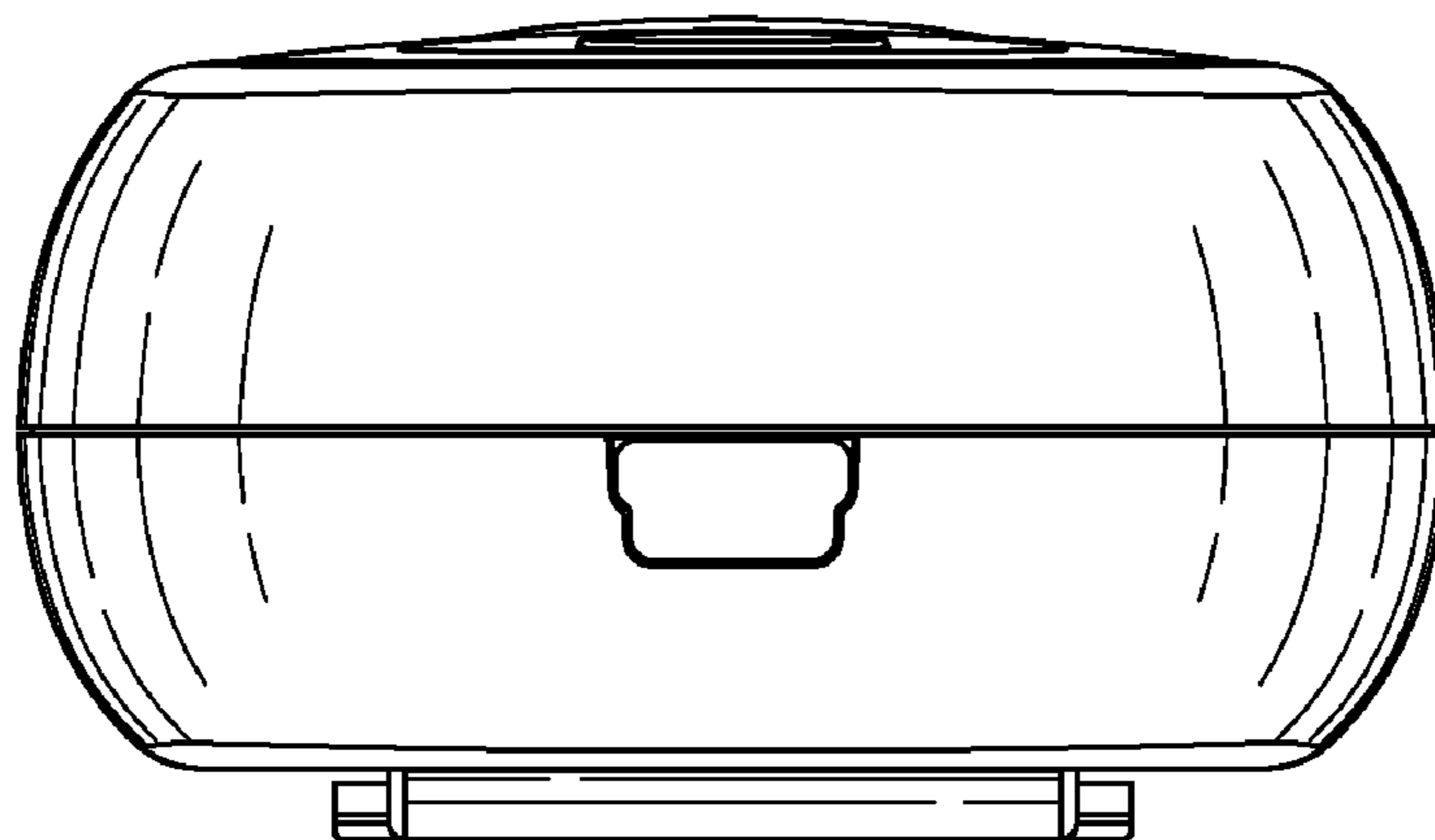


FIG. 7