



US00D554137S

(12) **United States Design Patent** (10) **Patent No.:** **US D554,137 S**  
**Richter** (45) **Date of Patent:** **\*\* Oct. 30, 2007**

(54) **SUPPORT DEVICE FOR SUPPORTING AN APPARATUS HOLDER**

(76) Inventor: **Harald Richter**, Höhenstrasse 32, Engelbrand 75332 (DE)

(\*\*) Term: **14 Years**

(21) Appl. No.: **29/265,857**

(22) Filed: **Sep. 8, 2006**

(51) **LOC (8) Cl.** ..... **14-03**

(52) **U.S. Cl.** ..... **D14/447; D14/251; D14/253; D14/452**

(58) **Field of Classification Search** ..... D14/251-253, D14/447, 140, 142, 146, 224, 434, 240, 452; D6/468; D8/71, 350, 355; D12/400, 415; D13/107, 108; D16/242; 379/454, 455; 455/575.1, 575.2, 575.6, 575.9, 90.3; 248/121, 248/157, 160, 205.8, 206.2, 274.1, 371, 917, 248/309.3, 205.5, 205.4, 205.9; 320/107, 320/108, 114, 115

See application file for complete search history.

(56) **References Cited**

**U.S. PATENT DOCUMENTS**

D324,865 S \* 3/1992 Cooper ..... D14/253  
D337,333 S \* 7/1993 Turk ..... D14/251  
D423,821 S \* 5/2000 Crump ..... D6/466  
D460,078 S \* 7/2002 Li ..... D14/452

D487,270 S \* 3/2004 Richter ..... D14/447  
6,913,232 B2 \* 7/2005 Richter ..... 248/205.8  
D530,333 S \* 10/2006 Richter ..... D14/447  
D533,174 S \* 12/2006 Richter ..... D14/251  
2004/0011932 A1 \* 1/2004 Duff ..... 248/157  
2006/0113434 A1 \* 6/2006 Richter ..... 248/121

\* cited by examiner

*Primary Examiner*—Terry A Wallace

(74) *Attorney, Agent, or Firm*—Klaus J. Bach

(57) **CLAIM**

The ornamental design for an support device for supporting an apparatus holder, as shown and described.

**DESCRIPTION**

FIG. 1 is a perspective view of a support device for supporting an apparatus holder;

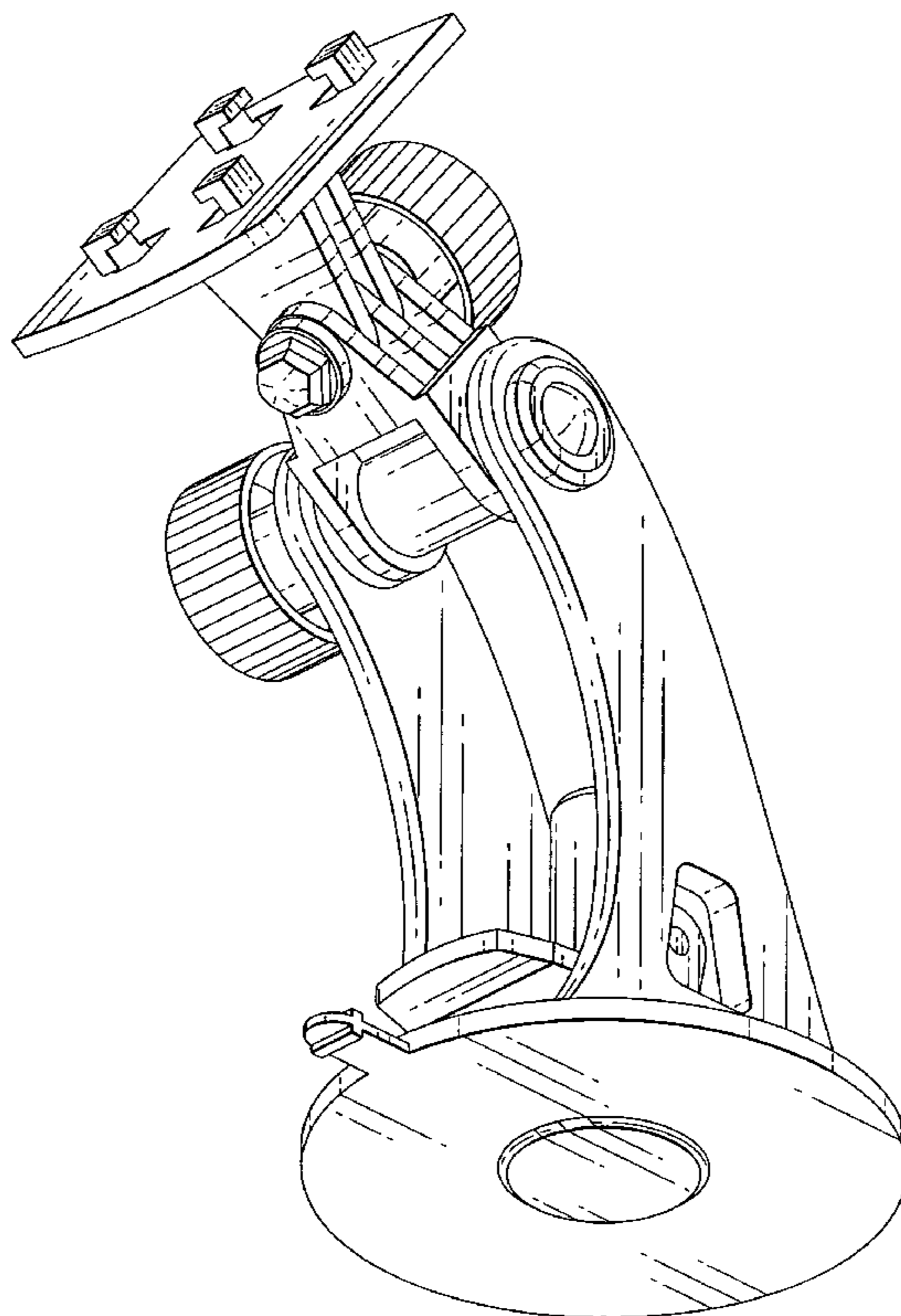
FIG. 2 is side view of the support device for supporting an apparatus holder shown in FIG. 1;

FIG. 3 is a front view of the support device for supporting an apparatus holder shown in FIG. 2,

FIG. 4 is a top view of the support device for supporting an apparatus holder shown in FIG. 1; and,

FIG. 5 is a rear view of the support device for supporting an apparatus holder shown in FIG. 1.

**1 Claim, 5 Drawing Sheets**



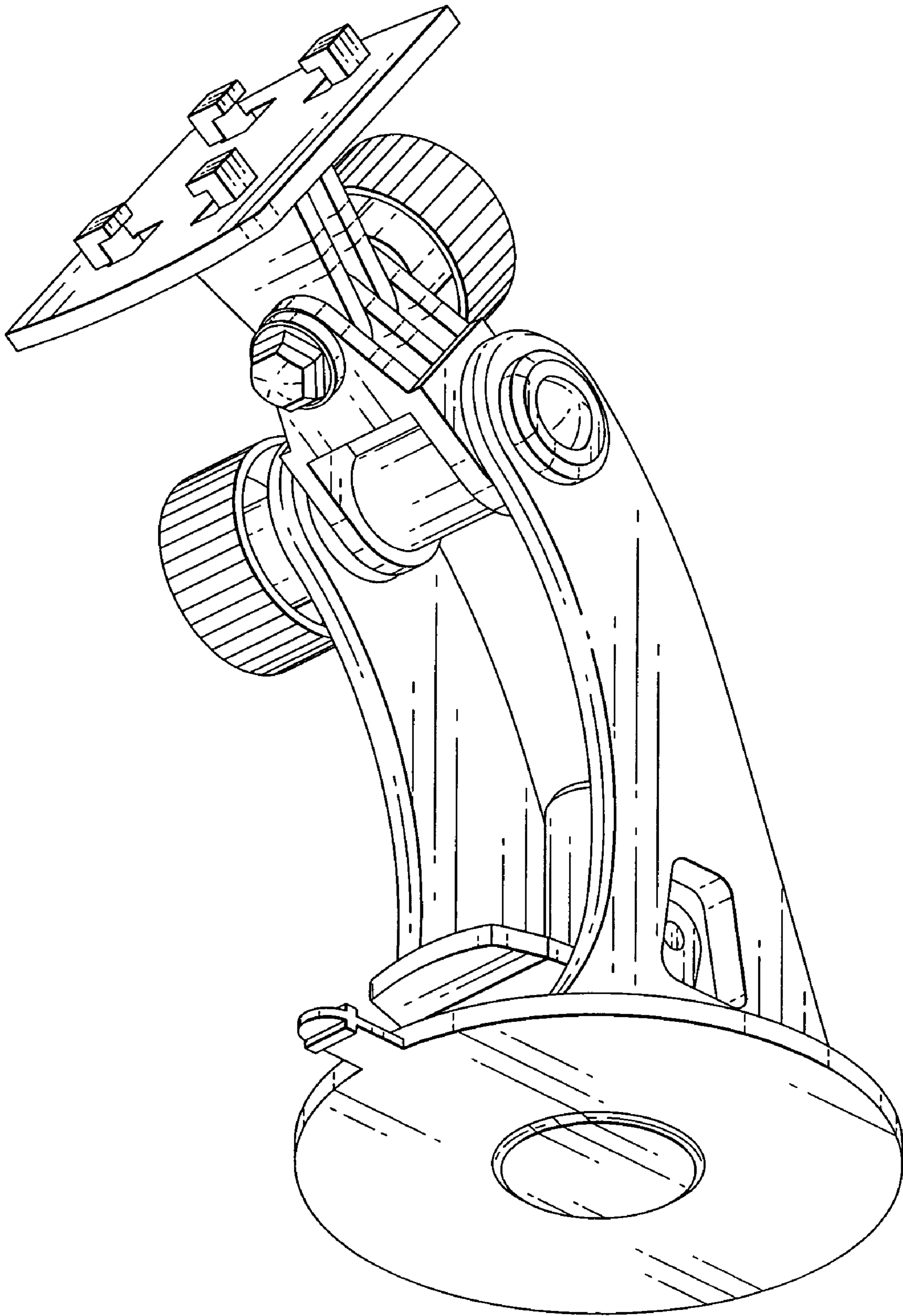


FIG. 1

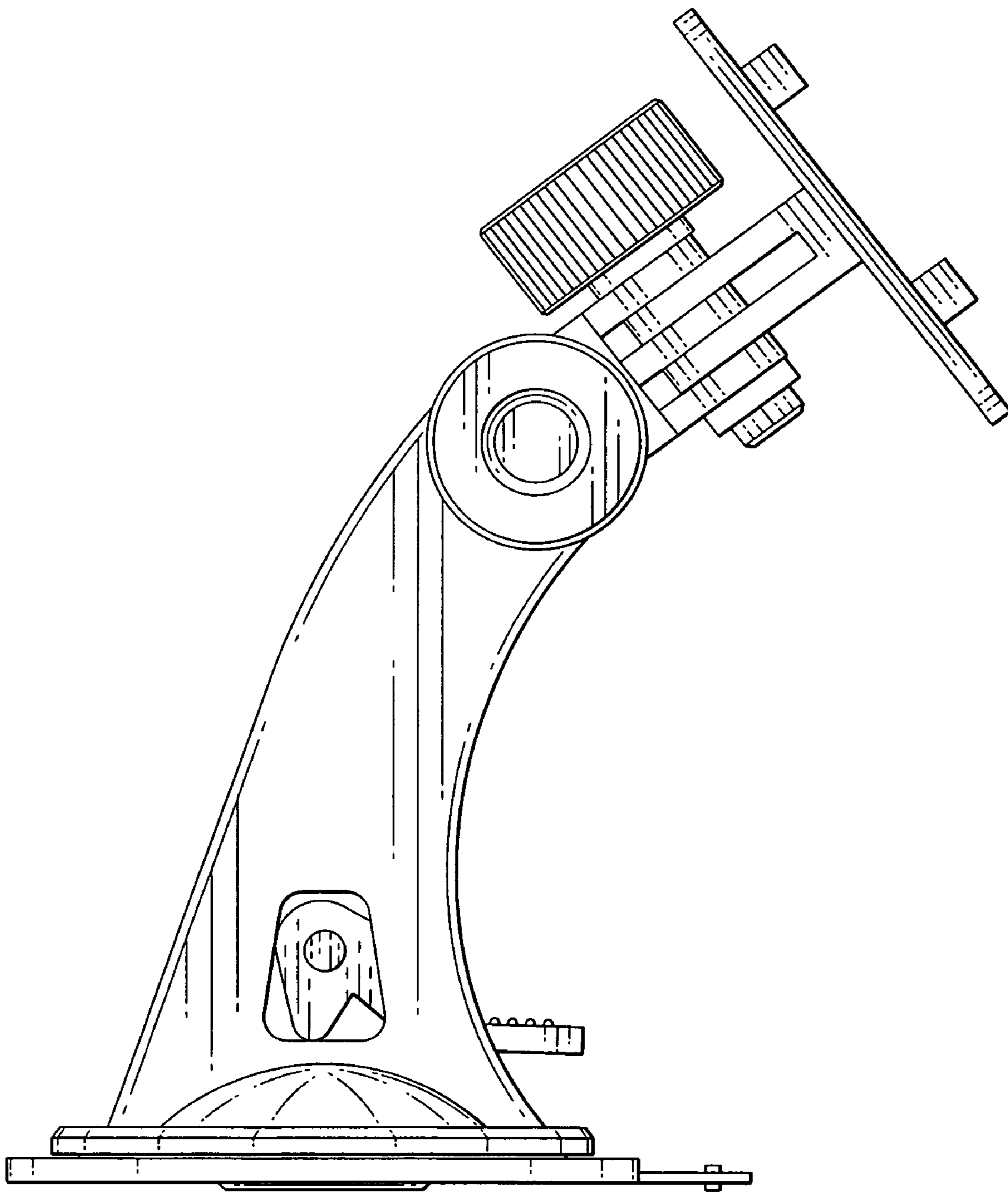


FIG. 2

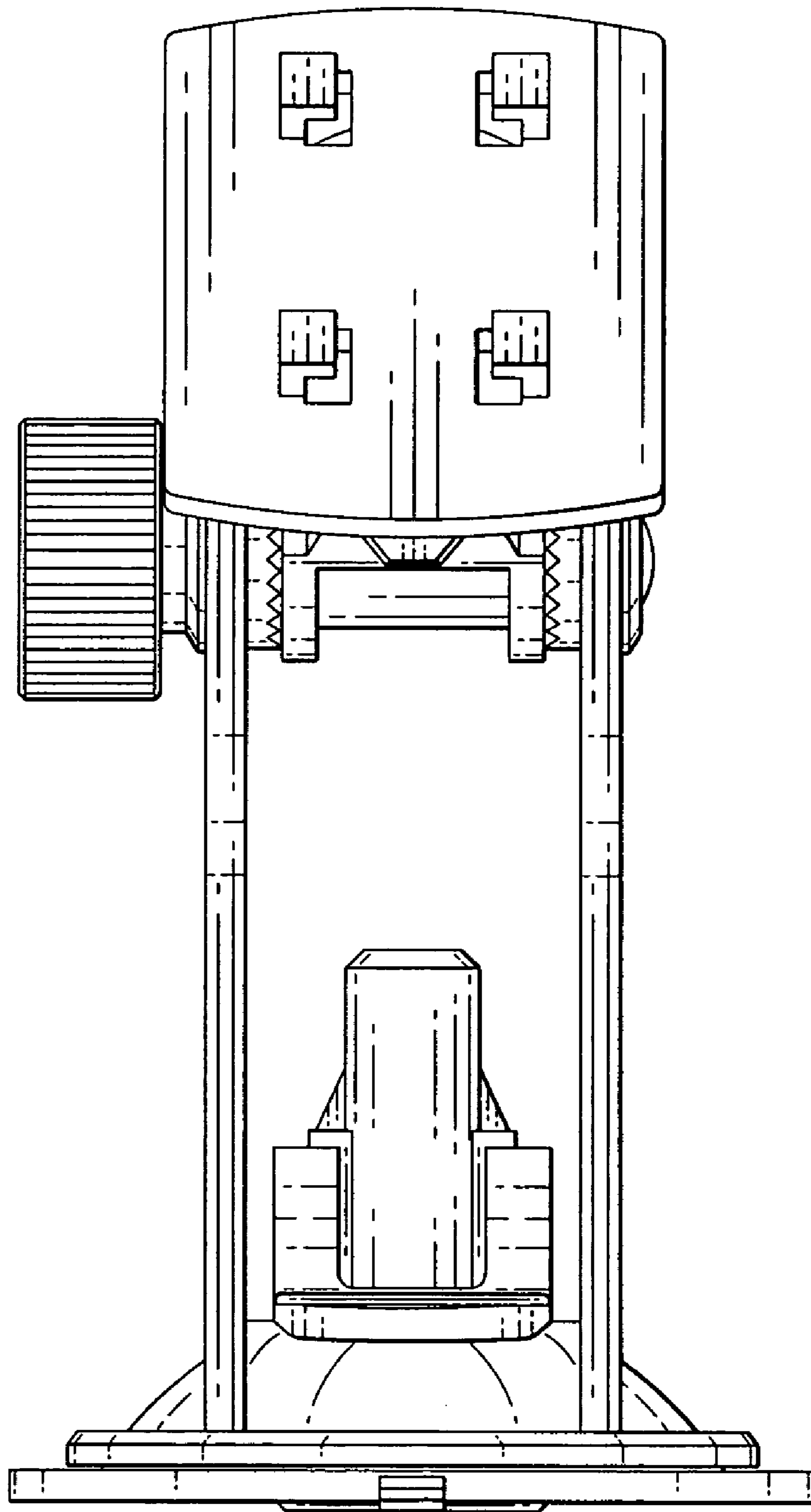
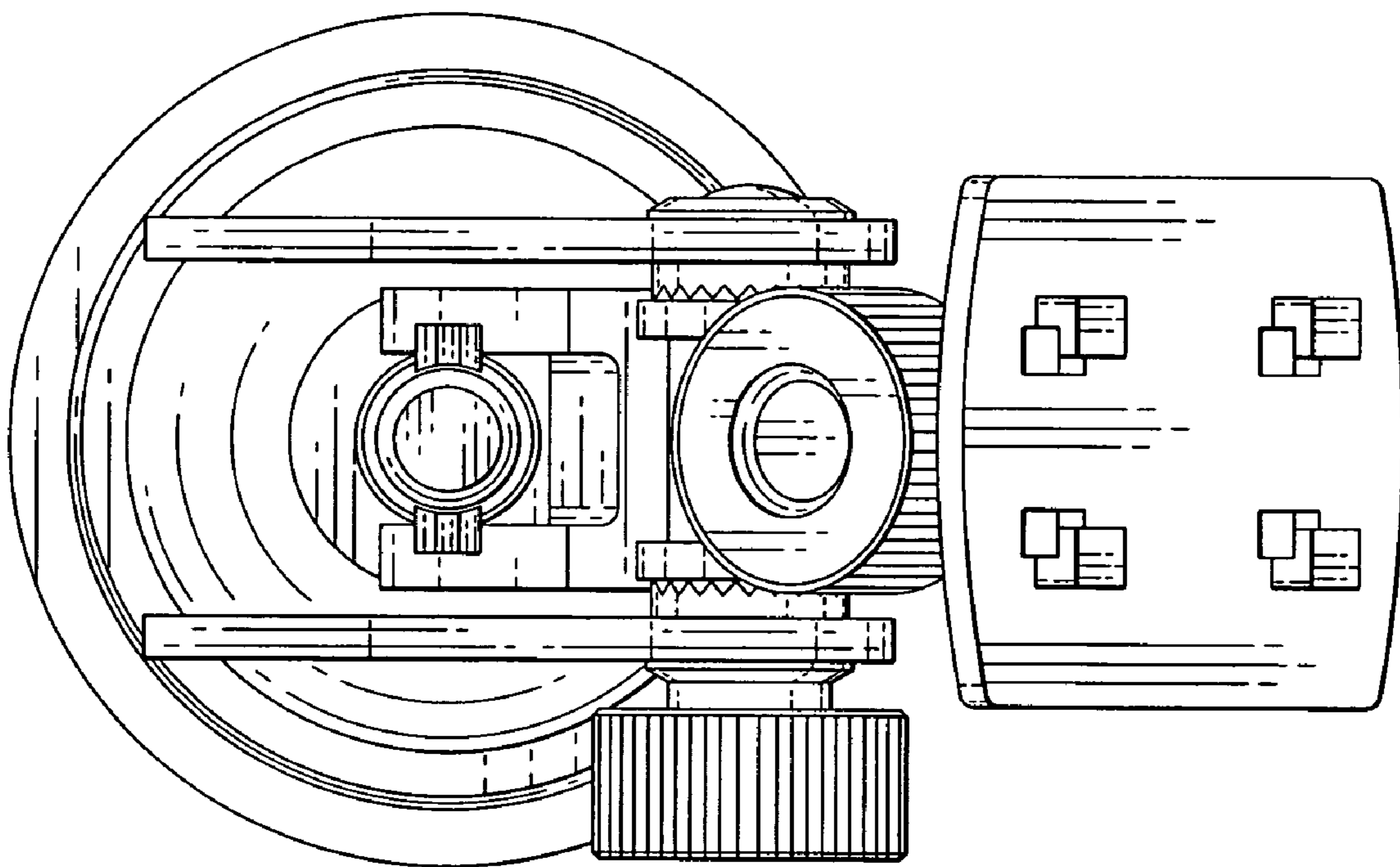


FIG. 3



*FIG. 4*

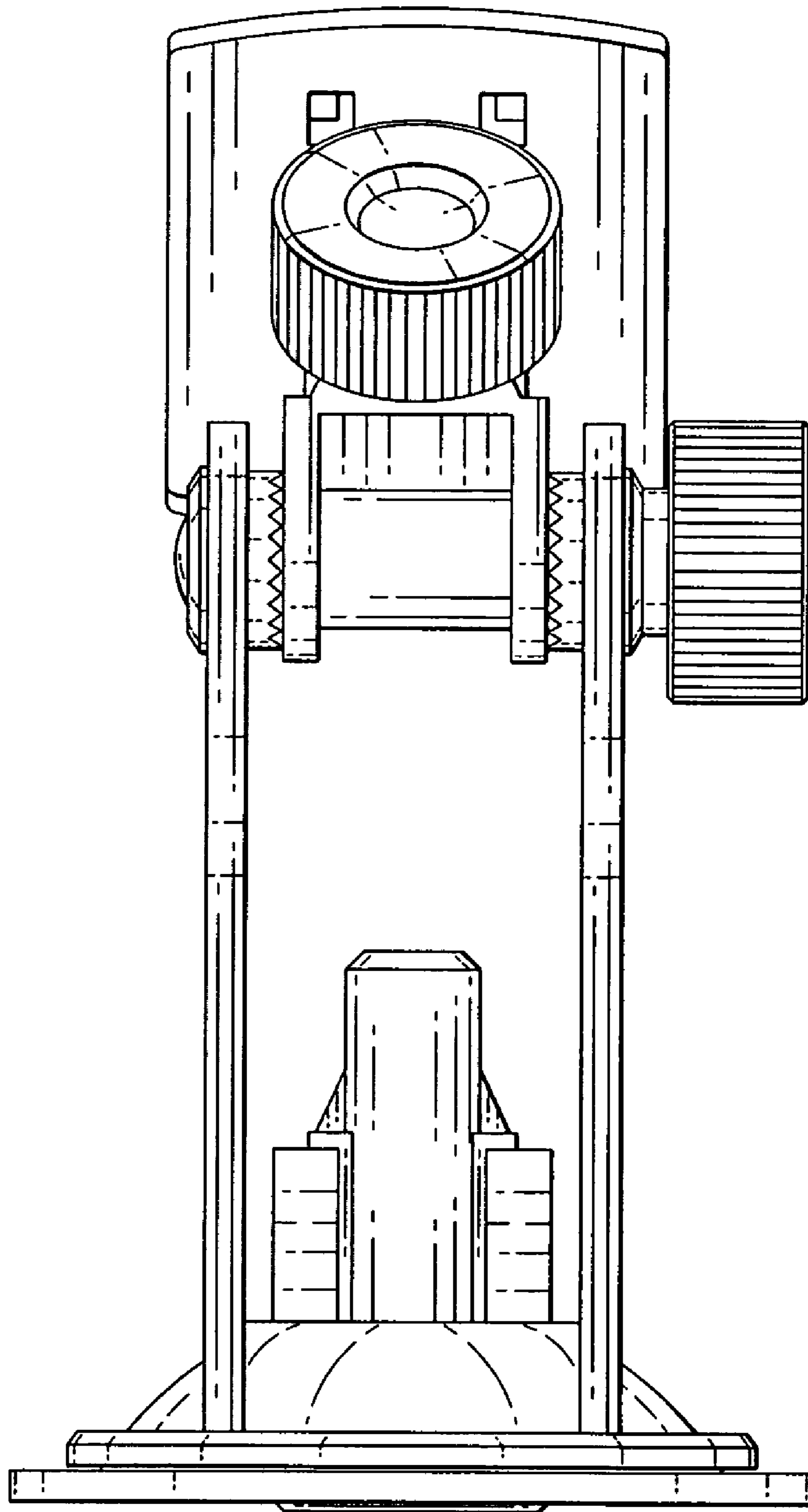


FIG. 5