



US00D554136S

(12) **United States Design Patent**
Richter

(10) **Patent No.:** **US D554,136 S**
(45) **Date of Patent:** **** Oct. 30, 2007**

(54) **SUPPORT DEVICE FOR SUPPORTING AN APPARATUS HOLDER**

(76) Inventor: **Harald Richter**, Höhenstrasse 32, Engelbrand 75332 (DE)

(**) Term: **14 Years**

(21) Appl. No.: **29/265,856**

(22) Filed: **Sep. 8, 2006**

(51) **LOC (8) Cl.** **14-03**

(52) **U.S. Cl.** **D14/447; D14/251; D14/253; D14/452**

(58) **Field of Classification Search** D14/251-253, D14/447, 140, 142, 146, 224, 434, 240, 452; D6/468; D8/71, 350, 355; D12/400, 415; D13/107, 108; D16/242; 379/454, 455; 455/575.1, 575.2, 575.6, 575.9, 90.3; 248/121, 248/157, 160, 205.8, 206.2, 274.1, 371, 917, 248/309.3, 205.5, 205.4, 205.9; 320/107, 320/108, 114, 115

See application file for complete search history.

(56) **References Cited**

U.S. PATENT DOCUMENTS

- D324,865 S * 3/1992 Cooper D14/253
- D337,333 S * 7/1993 Turk D14/251
- D423,821 S * 5/2000 Crump D6/466
- D460,078 S * 7/2002 Li D14/452

- D487,270 S * 3/2004 Richter D14/447
- 6,913,232 B2 * 7/2005 Richter 248/205.8
- D530,333 S * 10/2006 Richter D14/447
- D533,174 S * 12/2006 Richter D14/251
- 2004/0011932 A1 * 1/2004 Duff 248/157
- 2006/0113434 A1 * 6/2006 Richter 248/121

* cited by examiner

Primary Examiner—Terry A Wallace

(74) *Attorney, Agent, or Firm*—Klaus J. Bach

(57) **CLAIM**

The ornamental design for an support device for supporting an apparatus holder, as shown and described.

DESCRIPTION

FIG. 1 is a perspective view of a support device for supporting an apparatus holder;

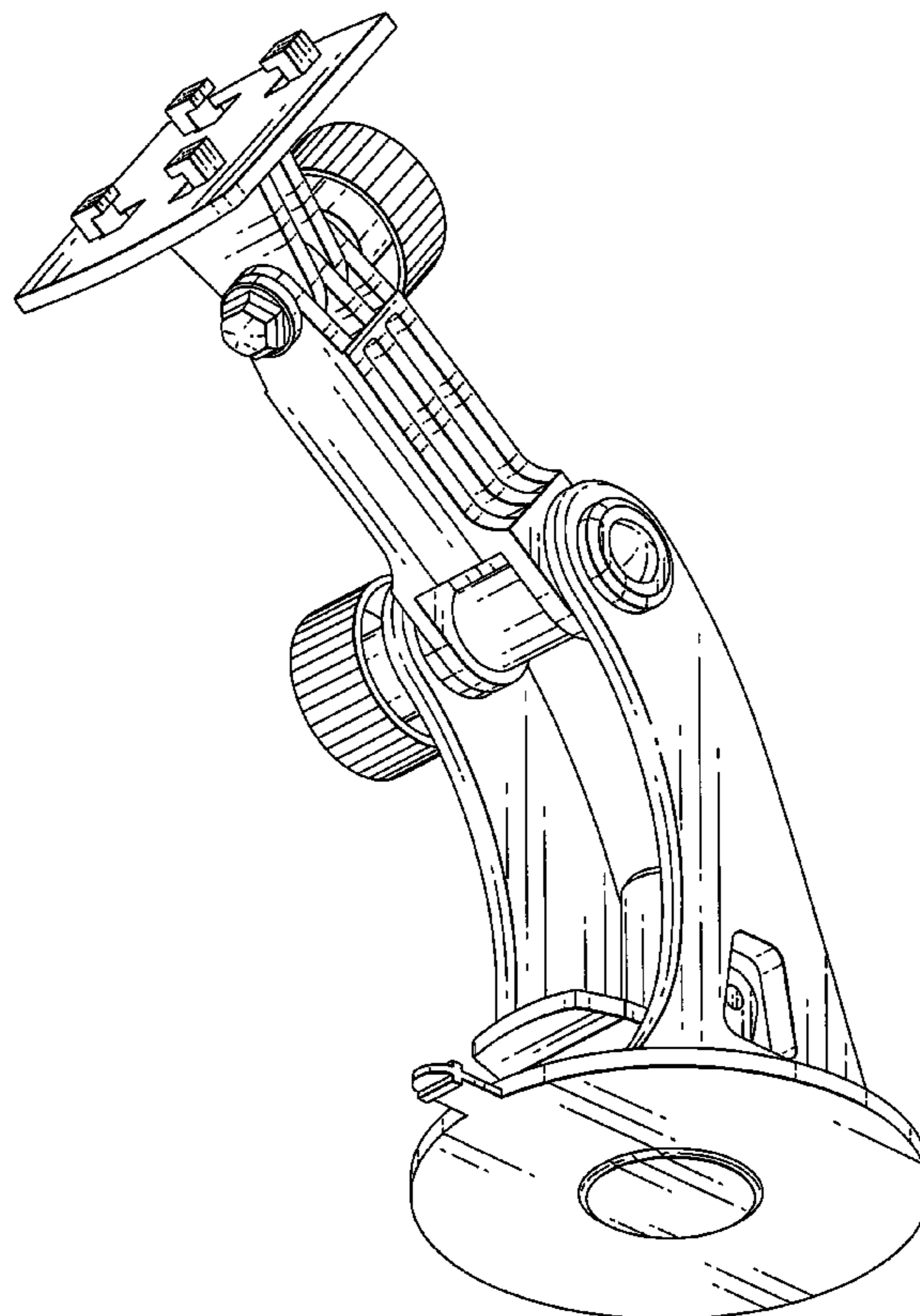
FIG. 2 is side view of the support device for supporting an apparatus holder shown in FIG. 1;

FIG. 3 is a front view of the support device for supporting an apparatus holder shown in FIG. 2,

FIG. 4 is a top view of the support device for supporting an apparatus holder shown in FIG. 1; and,

FIG. 5 is a rear view of the support device for supporting an apparatus holder shown in FIG. 1.

1 Claim, 5 Drawing Sheets



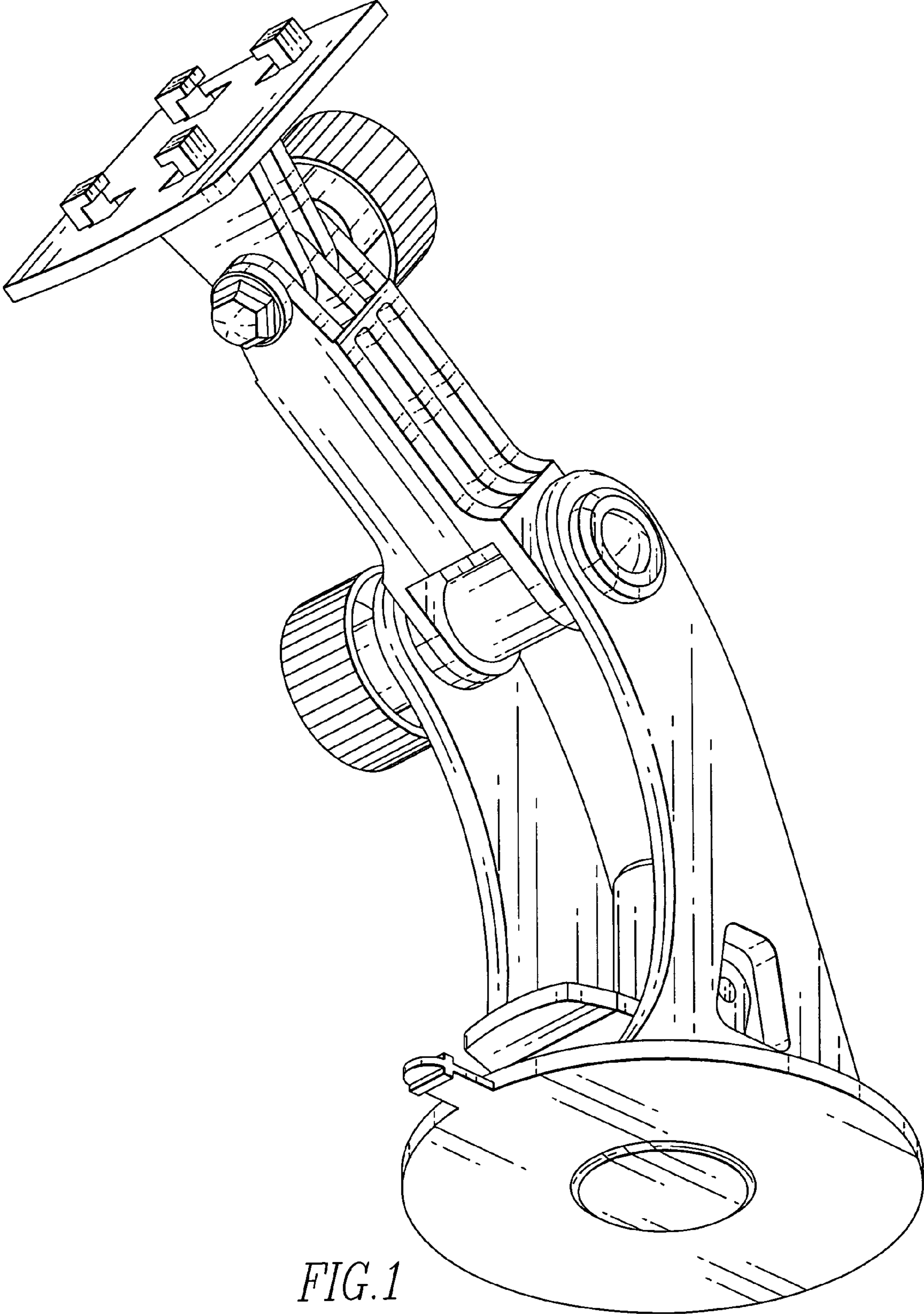


FIG. 1

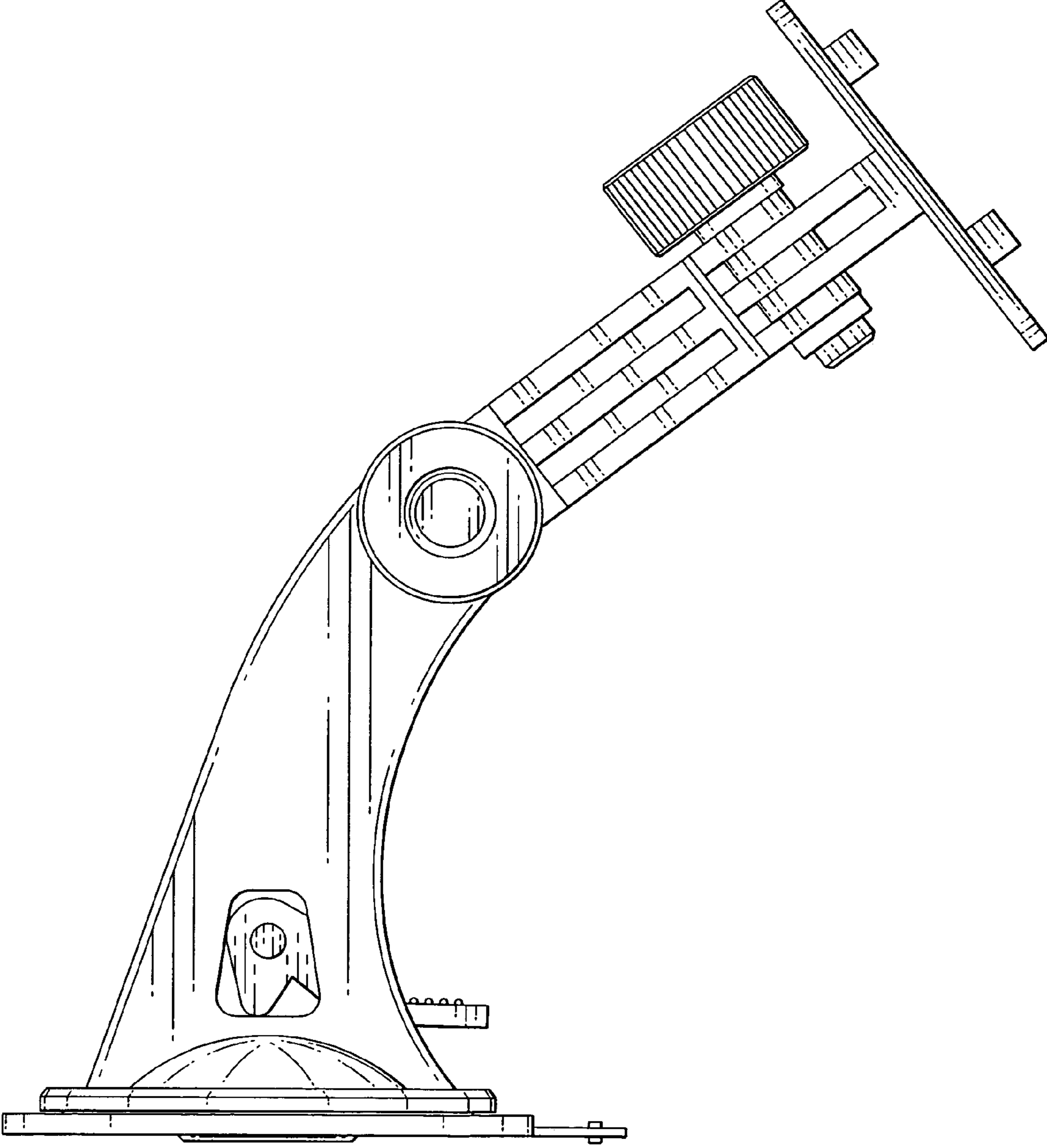


FIG. 2

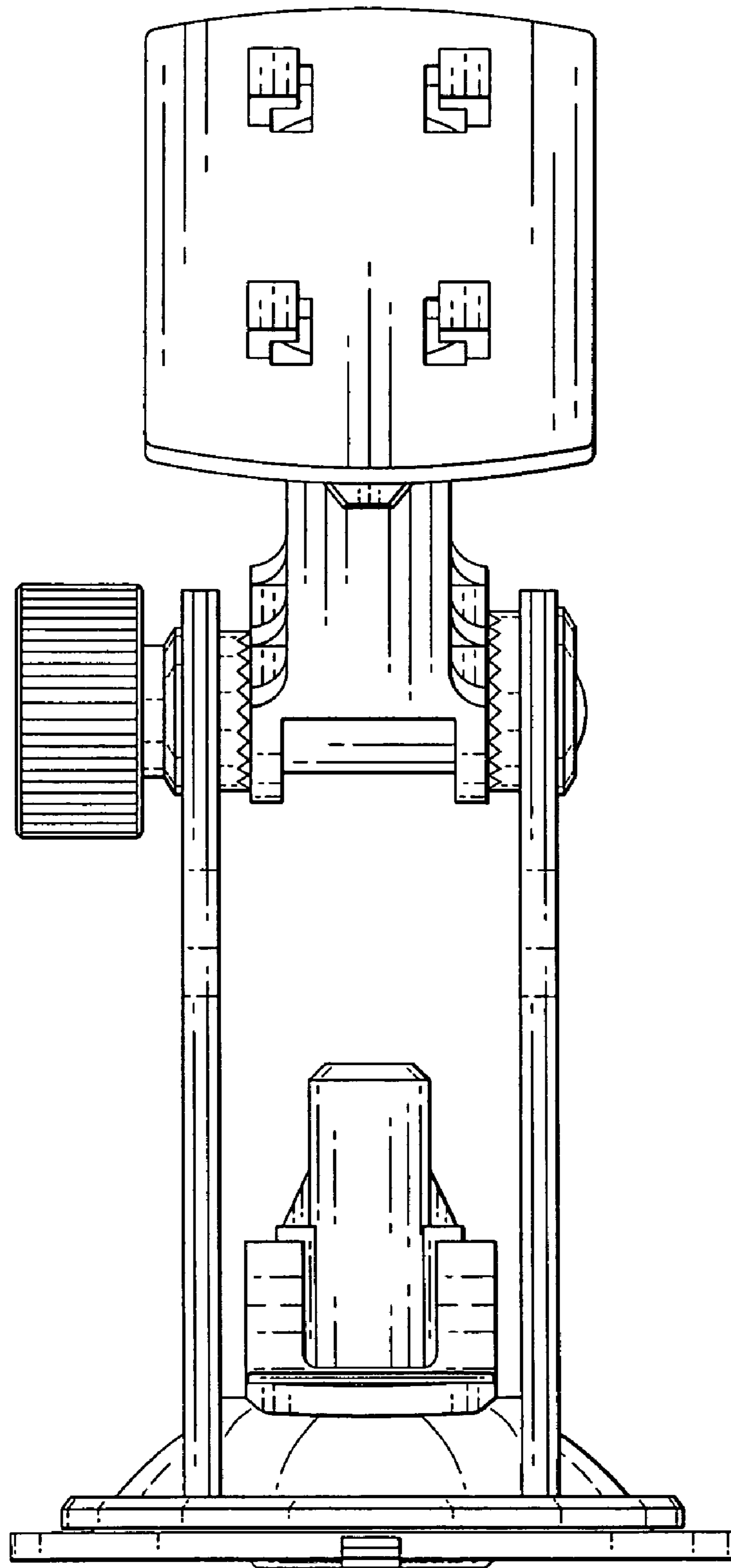


FIG. 3

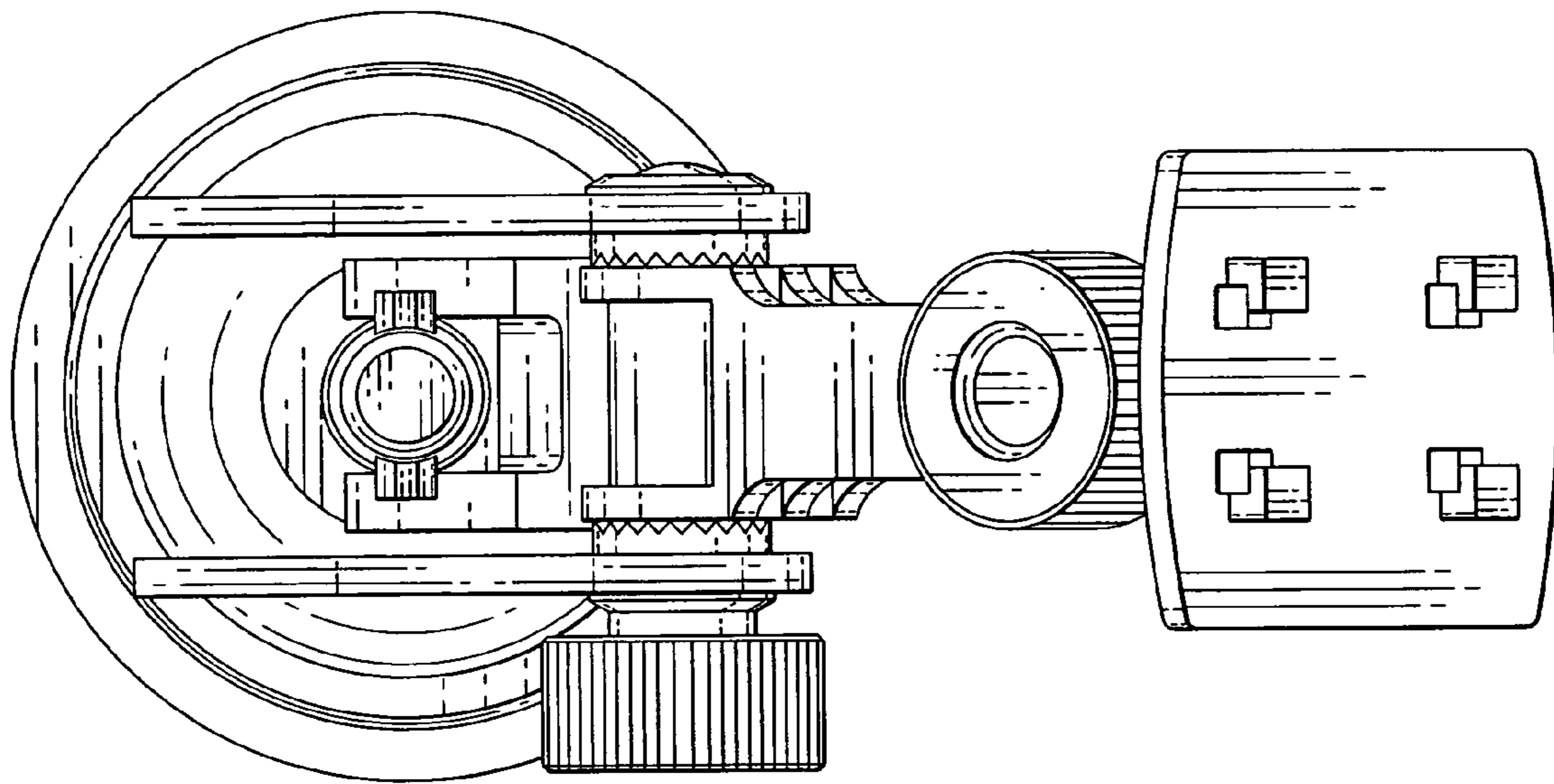


FIG. 4

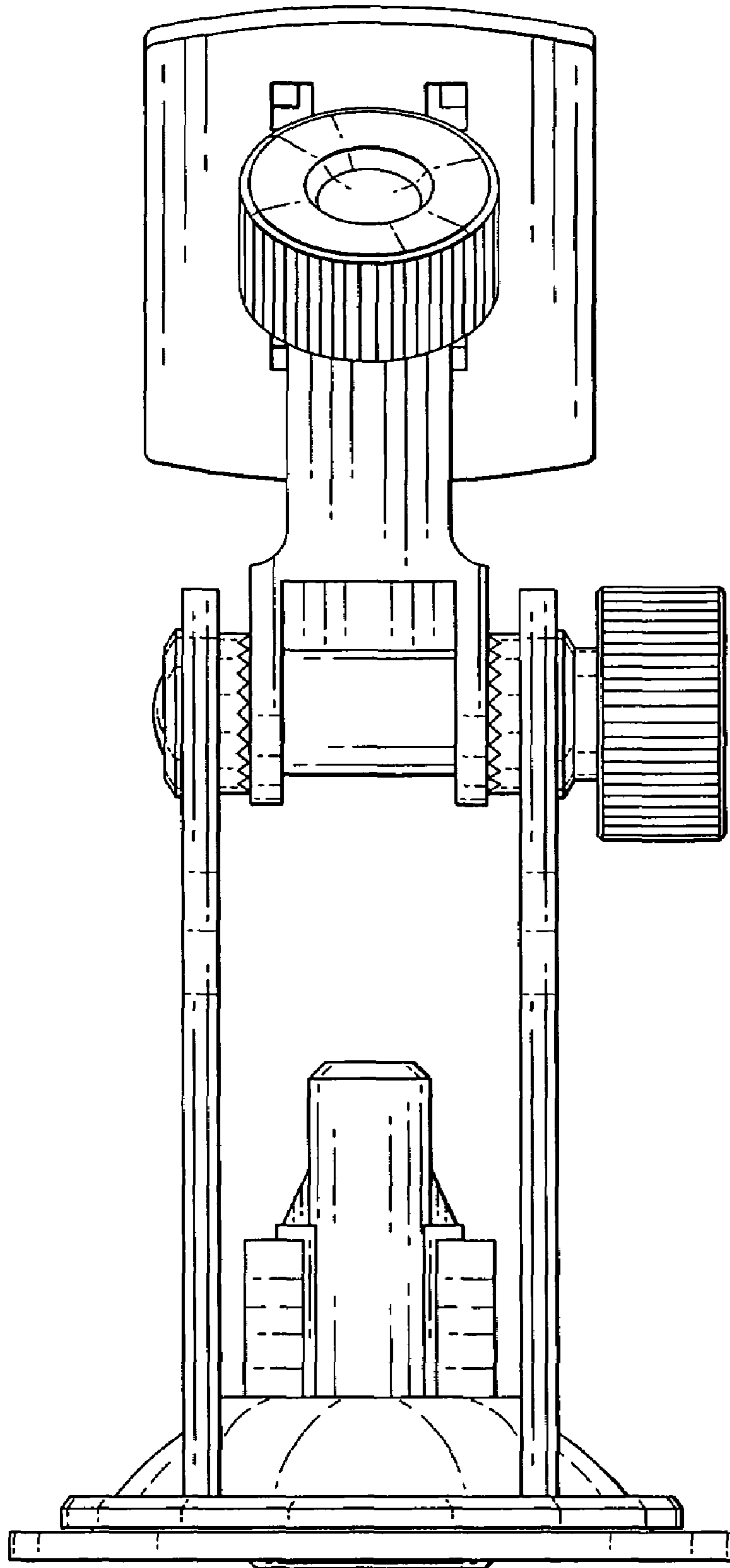


FIG. 5