



US00D554132S

(12) **United States Design Patent**
Zhou et al.

(10) **Patent No.:** **US D554,132 S**
(45) **Date of Patent:** **** Oct. 30, 2007**

(54) **FRONT BEZEL FOR COMPUTER ENCLOSURE**

(75) Inventors: **Bo Zhou**, Shenzhen (CN); **Chun-Chi Liang**, Tu-cheng (TW); **Jiing-Ren Yu**, Tu-cheng (TW); **Yu Wang**, Shenzhen (CN)

(73) Assignee: **Hon Hai Precision Industry Co., Ltd.**, Tu-Cheng, Taipei Hsien (TW)

(**) Term: **14 Years**

(21) Appl. No.: **29/264,532**

(22) Filed: **Aug. 11, 2006**

(30) **Foreign Application Priority Data**

Jun. 2, 2006 (TW) 95303035

(51) **LOC (8) Cl.** **14-02**

(52) **U.S. Cl.** **D14/444**

(58) **Field of Classification Search** D14/441-446;
D13/162, 184, 199; 312/223.1-223.3; 360/99.01-99.12,
360/92; 361/680-686, 690-696, 725
See application file for complete search history.

(56) **References Cited**

U.S. PATENT DOCUMENTS

5,547,272 A * 8/1996 Paterson et al. 312/223.2
D431,825 S * 10/2000 Jean et al. D14/444

D439,254 S * 3/2001 Zhao D14/441
D464,055 S * 10/2002 Chieh et al. D14/444
D491,569 S * 6/2004 Chen et al. D14/444
D499,734 S * 12/2004 Su et al. D14/444
D507,574 S * 7/2005 Su et al. D14/445
D517,075 S * 3/2006 Zhu et al. D14/441

* cited by examiner

Primary Examiner—Freda S Nunn

(74) *Attorney, Agent, or Firm*—Wei Te Chung

(57) **CLAIM**

The ornamental design for a front bezel for computer enclosure, as shown and described.

DESCRIPTION

FIG. 1 is a perspective view of a front bezel for computer enclosure showing our new design;

FIG. 2 is a front elevational view thereof;

FIG. 3 is a left side elevational view thereof;

FIG. 4 is a right side elevational view thereof;

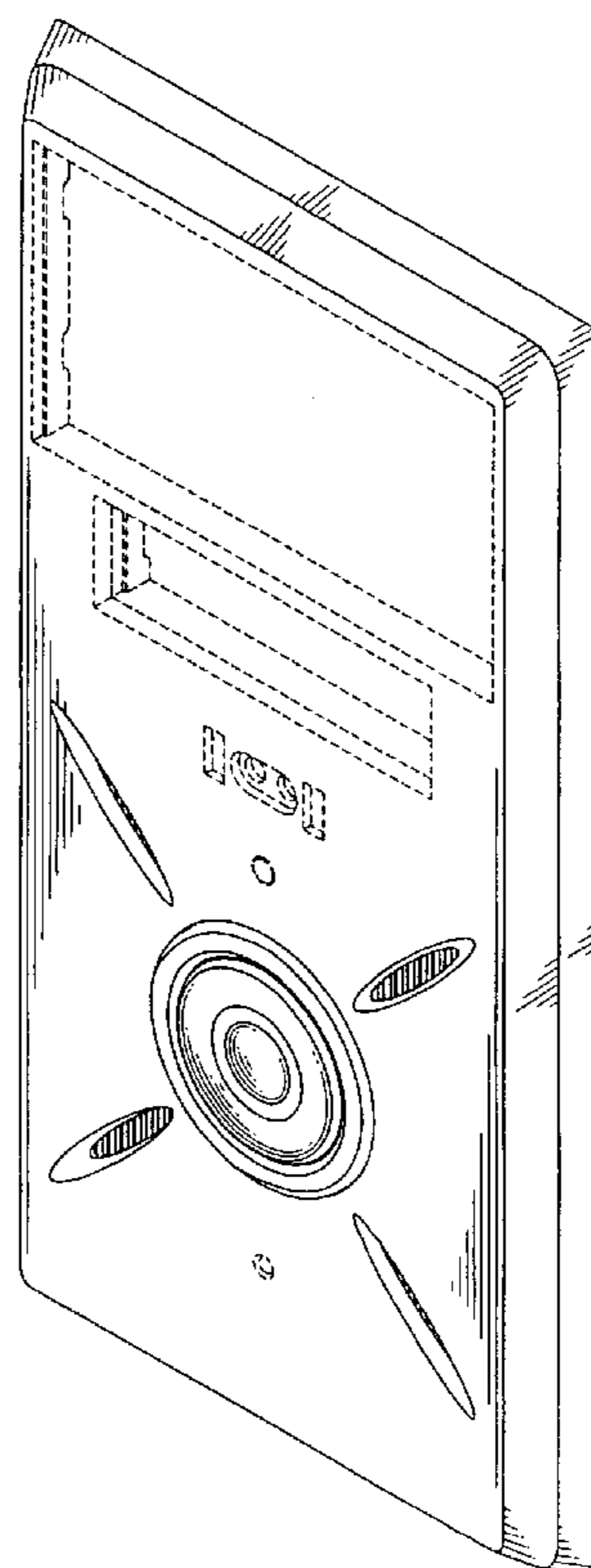
FIG. 5 is a top plan view thereof;

FIG. 6 is a bottom plan view thereof; and,

FIG. 7 is a perspective view thereof being mounted to a computer enclosure.

Broken lines are for illustrative purposes only and form no part of the claimed design.

1 Claim, 5 Drawing Sheets



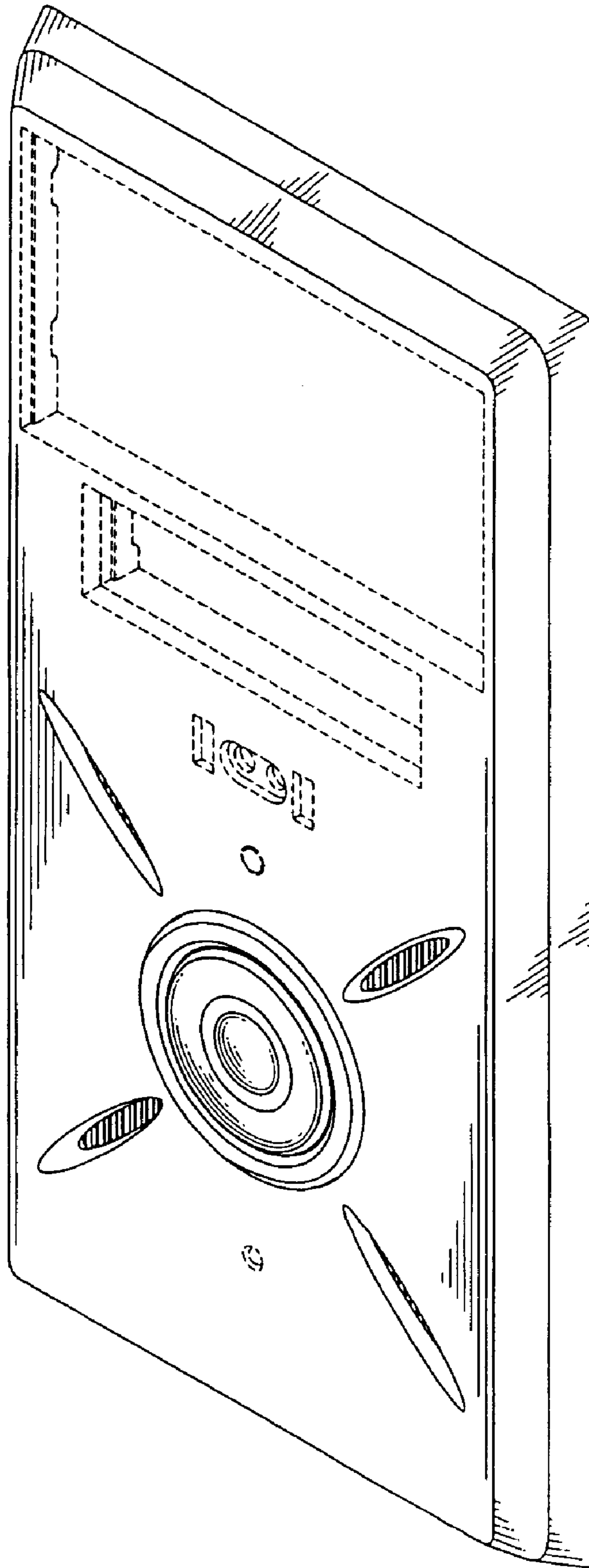


FIG. 1

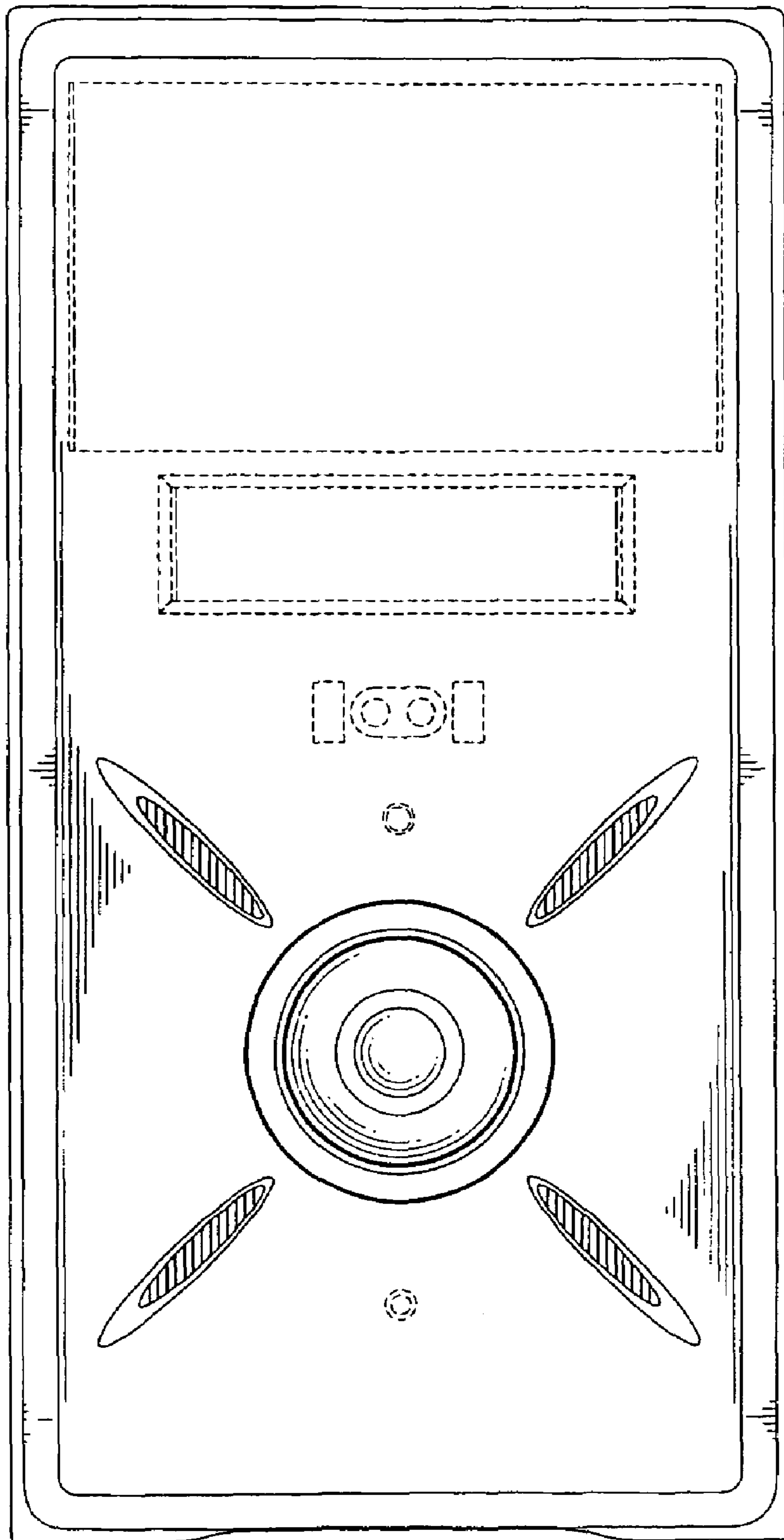


FIG. 2

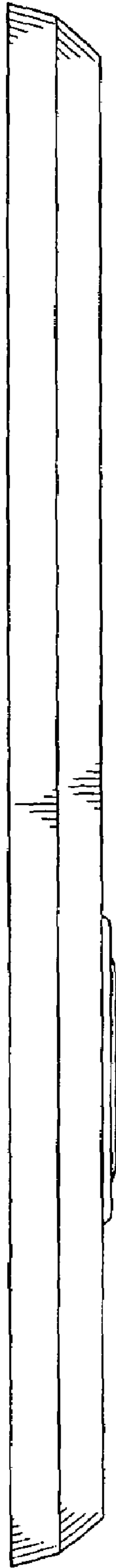


FIG. 3



FIG. 4

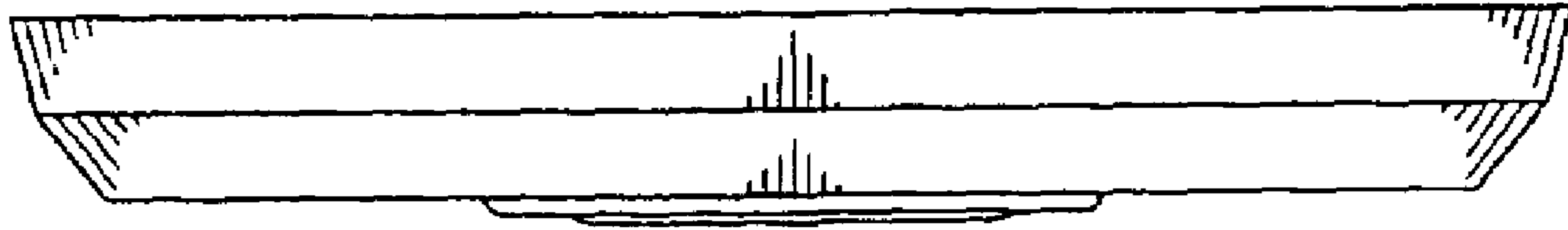


FIG. 5

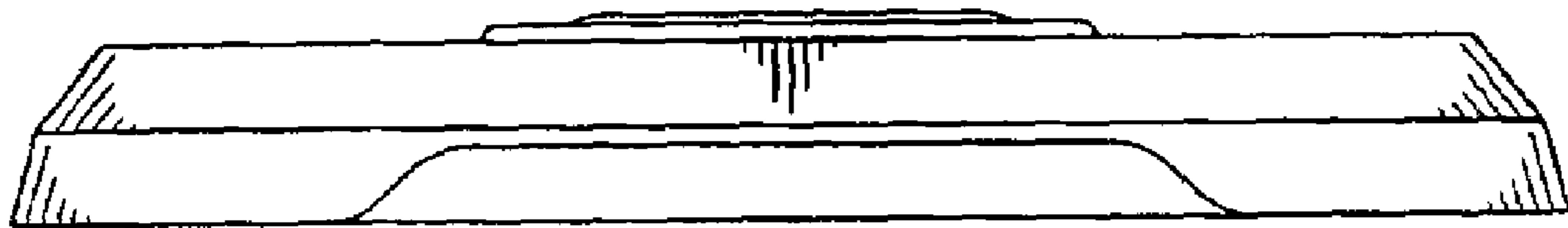


FIG. 6

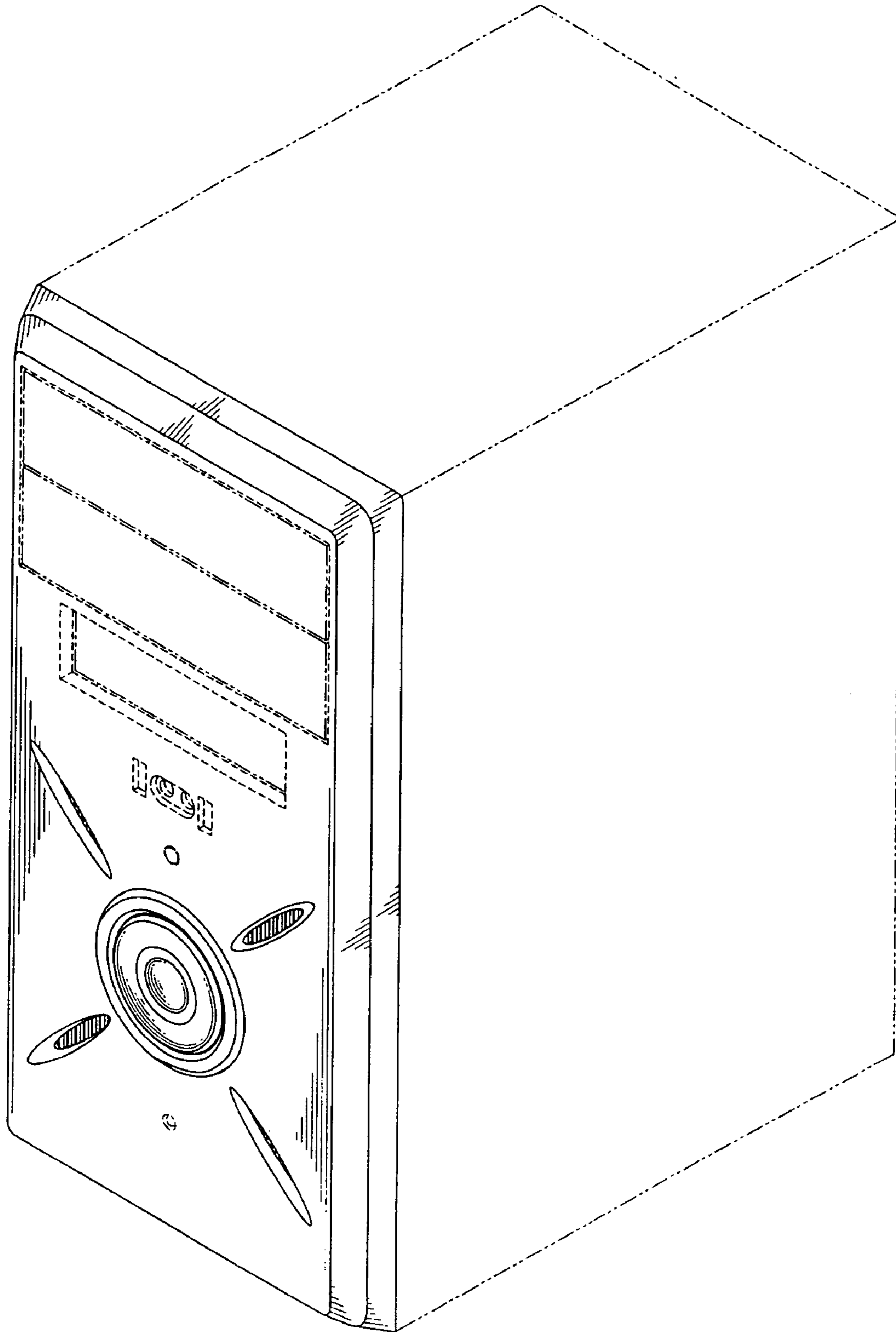


FIG. 7