

US00D554130S

(12) **United States Design Patent**
Chen et al.

(10) **Patent No.:** **US D554,130 S**
(45) **Date of Patent:** **** Oct. 30, 2007**

(54) **COMPUTER FRONT BEZEL**

(74) *Attorney, Agent, or Firm*—Wei Te Chung

(75) Inventors: **Yun-Lung Chen**, Tu-Cheng (TW);
Ning-Bo Pan, Shenzhen (CN)

(57) **CLAIM**

(73) Assignee: **Hon Hai Precision Industry Co., Ltd.**,
Tu-Cheng, Taipei Hsien (TW)

The ornamental design for a computer front bezel, as shown and described.

(**) Term: **14 Years**

DESCRIPTION

(21) Appl. No.: **29/264,200**

FIG. 1 is a perspective view of the design for the computer front bezel wherein broken lines illustrate environmental features;

(22) Filed: **Aug. 4, 2006**

FIG. 2 is a front elevational view thereof;

(51) **LOC (8) Cl.** **14-02**

FIG. 3 is a left side elevational view thereof;

(52) **U.S. Cl.** **D14/444**

FIG. 4 is a right side elevational view thereof;

(58) **Field of Classification Search** D14/441-446;
D13/162, 184, 199; 312/223.1-223.3; 360/99.01-99.12,
360/92; 361/680-686, 690-696, 725
See application file for complete search history.

FIG. 5 is a top plan view thereof;

FIG. 6 is a bottom plan view thereof; and,

(56) **References Cited**

FIG. 7 is a perspective view thereof being mounted to a computer case which is shown in broken lines for illustrative purposes only and forms no part of the claimed design.

U.S. PATENT DOCUMENTS

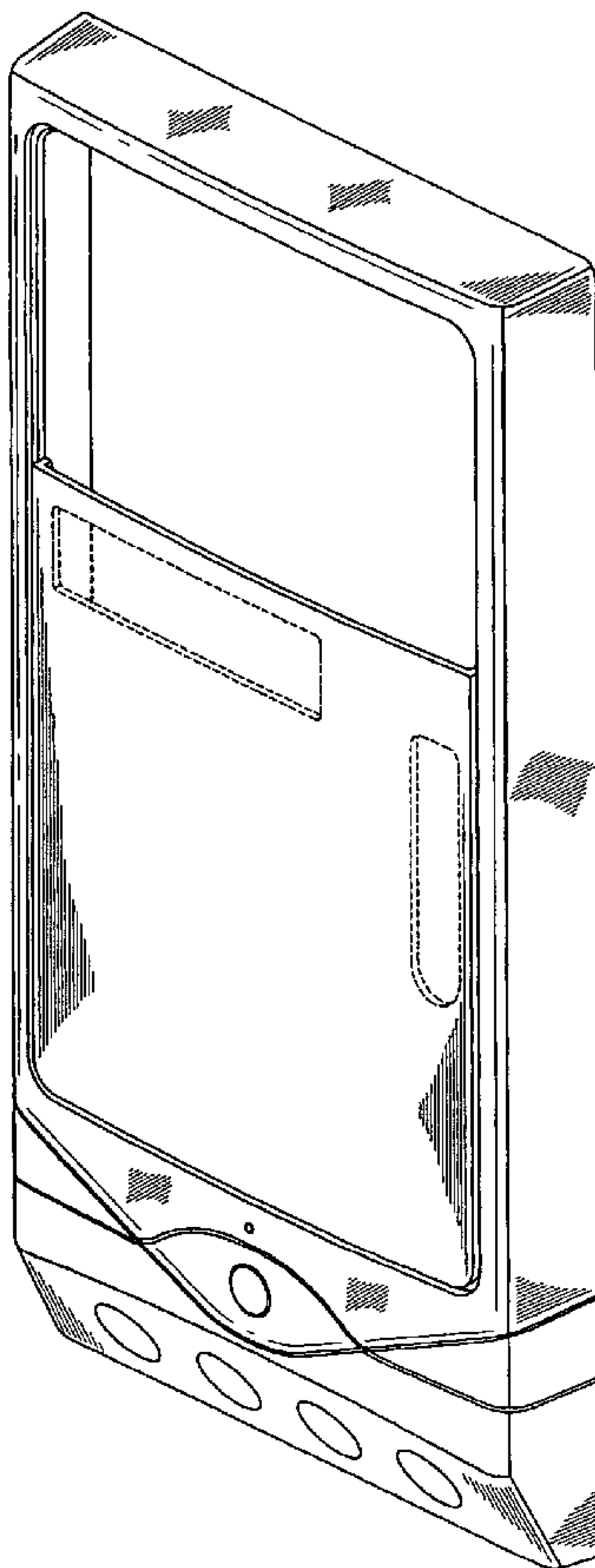
D517,075 S * 3/2006 Zhu et al. D14/441
D525,253 S * 7/2006 Hu et al. D14/444

In these drawings the solid lines illustrate the claimed ornamental design whereas the broken lines illustrate environmental features that form no part of the claimed ornamental design.

* cited by examiner

Primary Examiner—Freda S Nunn

1 Claim, 5 Drawing Sheets



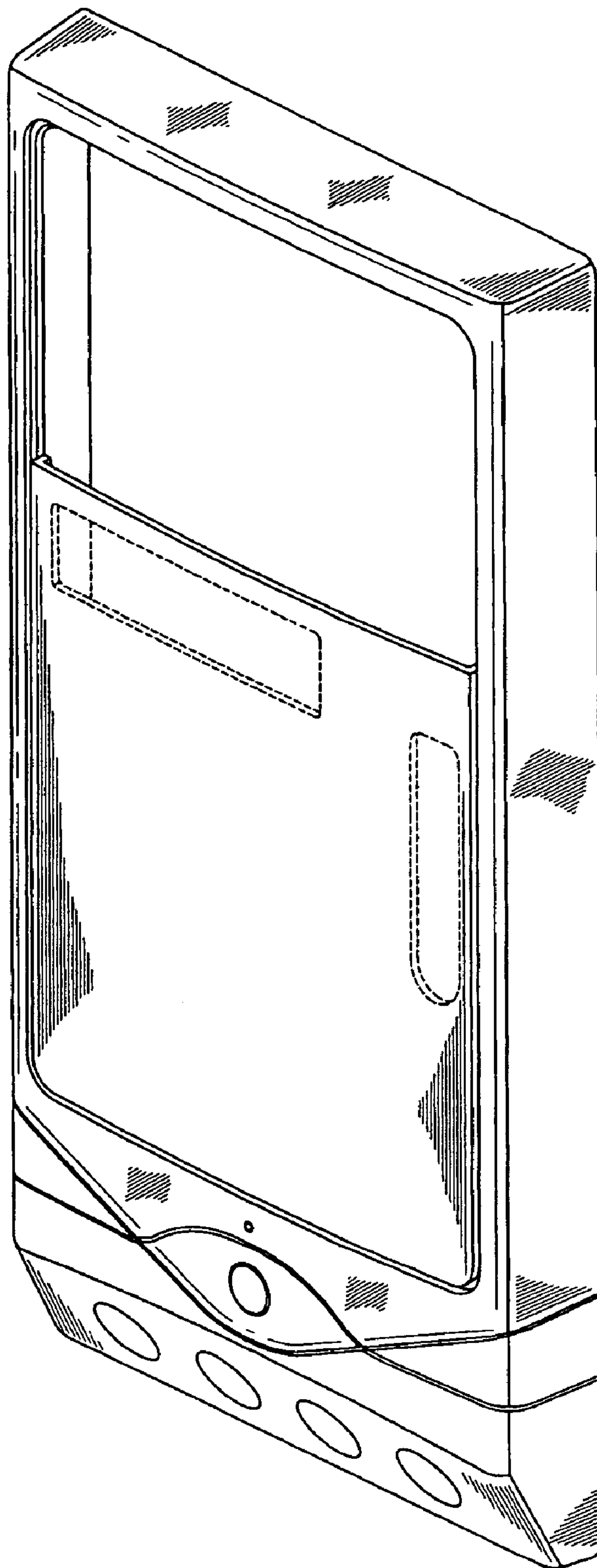


FIG. 1

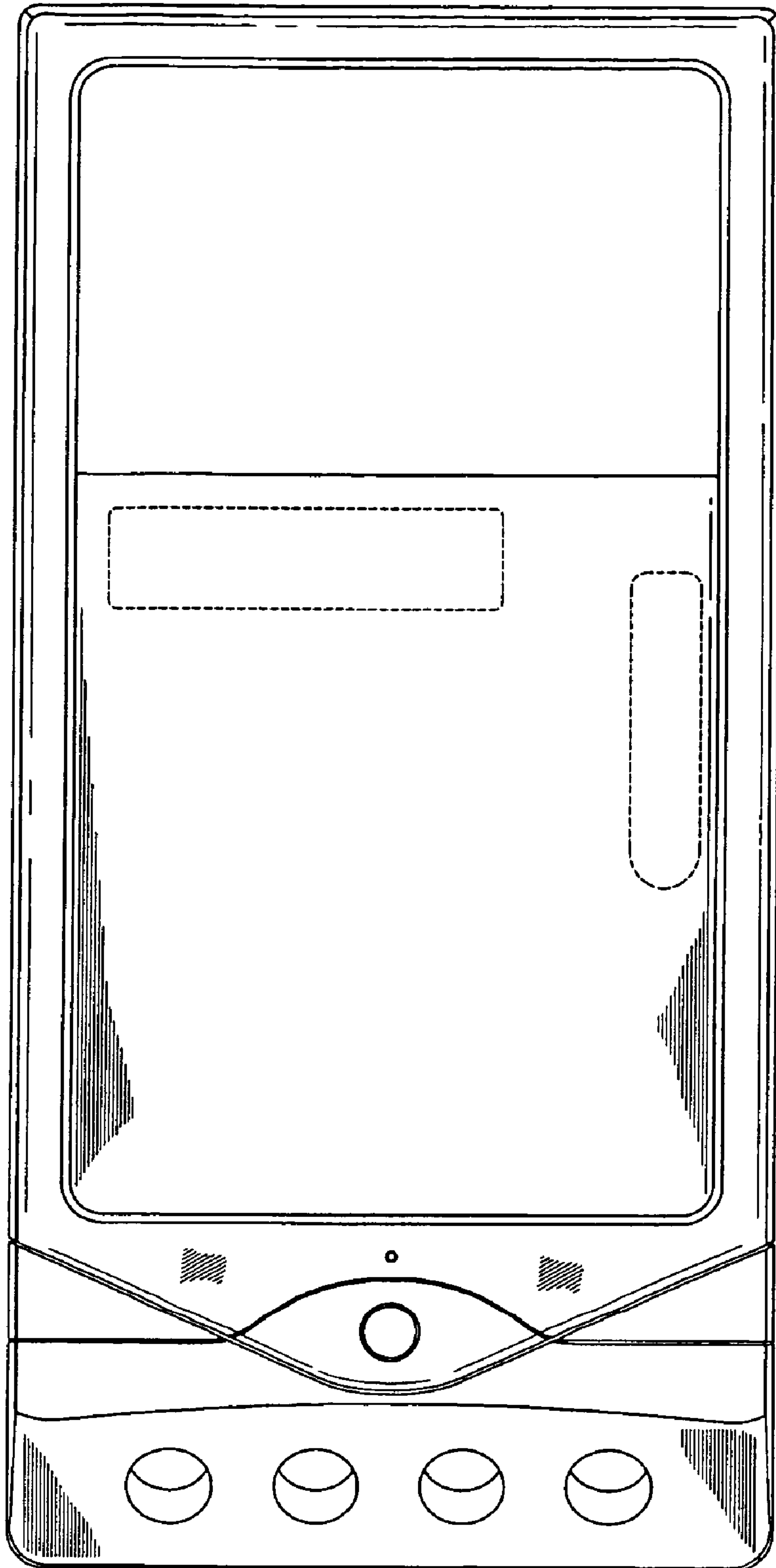


FIG. 2

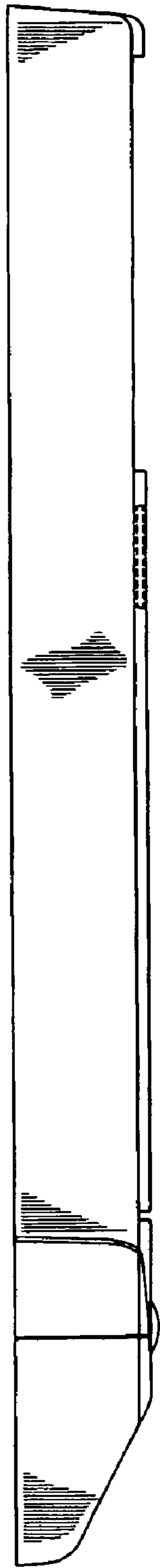


FIG. 3

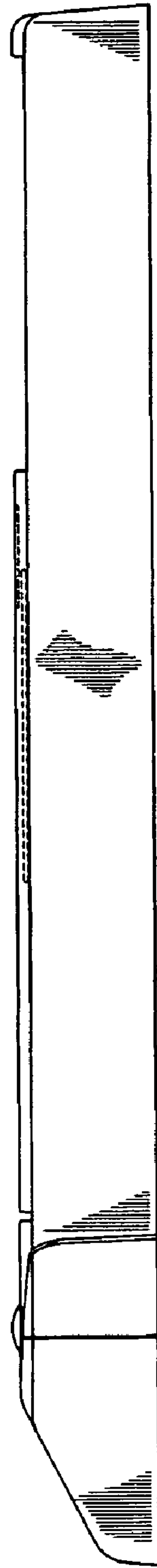


FIG. 4

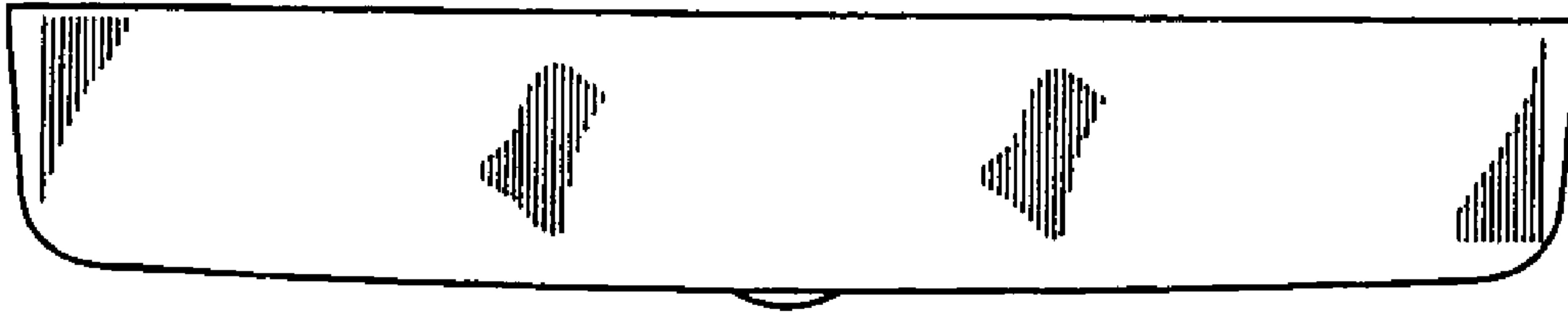


FIG. 5

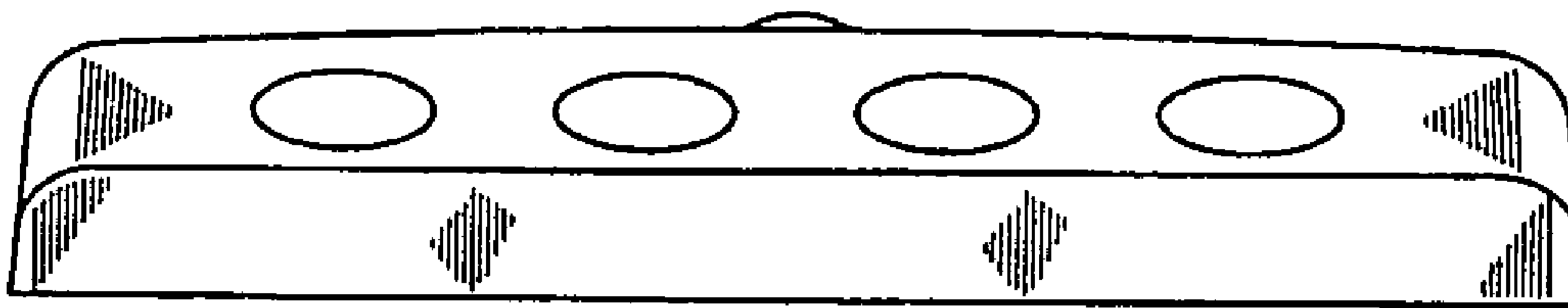


FIG. 6

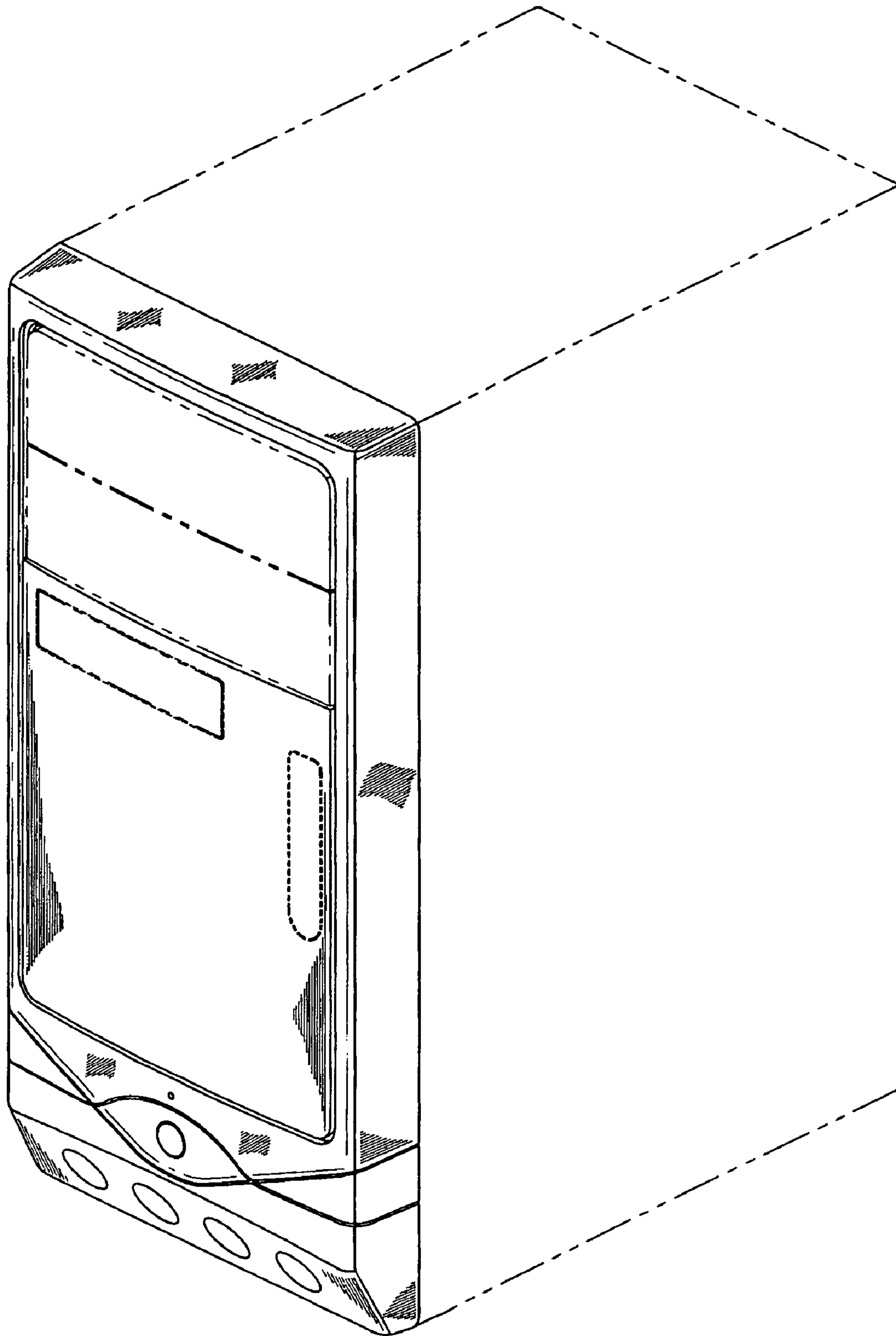


FIG. 7