



US00D554123S

(12) **United States Design Patent** (10) **Patent No.:** **US D554,123 S**
Day et al. (45) **Date of Patent:** **** Oct. 30, 2007**

- (54) **FLASH MEMORY CARD WITH A TRANSLUCENT COVER**
- (75) Inventors: **Christina Mei Chien Day**, Sunnyvale, CA (US); **Peter Galat**, San Jose, CA (US); **Robert C. Miller**, San Jose, CA (US)
- (73) Assignee: **SanDisk Corporation**, Milpitas, CA (US)
- (**) Term: **14 Years**
- (21) Appl. No.: **29/244,040**
- (22) Filed: **Dec. 2, 2005**

D452,244 S	12/2001	Wallace et al.	
D452,245 S	12/2001	Wallace et al.	
D452,246 S	12/2001	Wallace et al.	
D452,690 S	1/2002	Wallace et al.	
D452,691 S *	1/2002	Iwasaki et al. D14/479
D452,864 S	1/2002	Wallace et al.	
D452,865 S	1/2002	Wallace et al.	
D453,934 S	2/2002	Wallace et al.	
6,381,143 B1 *	4/2002	Nakamura 361/737
D457,887 S *	5/2002	Kadonaga D14/436
6,646,885 B1 *	11/2003	Yu et al. 361/737
D492,688 S	7/2004	Wallace et al.	
6,858,470 B1	2/2005	Han et al.	
7,107,378 B1 *	9/2006	Brewer et al. 710/300
2004/0037145 A1 *	2/2004	Tagawa et al. 365/222
2004/0259291 A1	12/2004	Takiar	

* cited by examiner

Related U.S. Application Data

- (63) Continuation-in-part of application No. 29/230,385, filed on May 19, 2005, now Pat. No. Des. 537,824.

Primary Examiner—M. H. Tung
Assistant Examiner—Susan Moon Lee
 (74) *Attorney, Agent, or Firm*—Vierra Magen Marcus & DeNiro LLP

- (51) **LOC (8) Cl.** **14-02**
- (52) **U.S. Cl.** **D14/436**
- (58) **Field of Classification Search** 235/441, 235/443, 487, 492, 493, 495; D14/435-38, D14/478-80; 361/737, 679, 736, 728, 729-30; 257/678-79; 439/946; 174/250, 260, 52.1-52.2; 710/300-303
 See application file for complete search history.

(57) **CLAIM**

The ornamental design for a flash memory card with a translucent cover, as shown and described.

DESCRIPTION

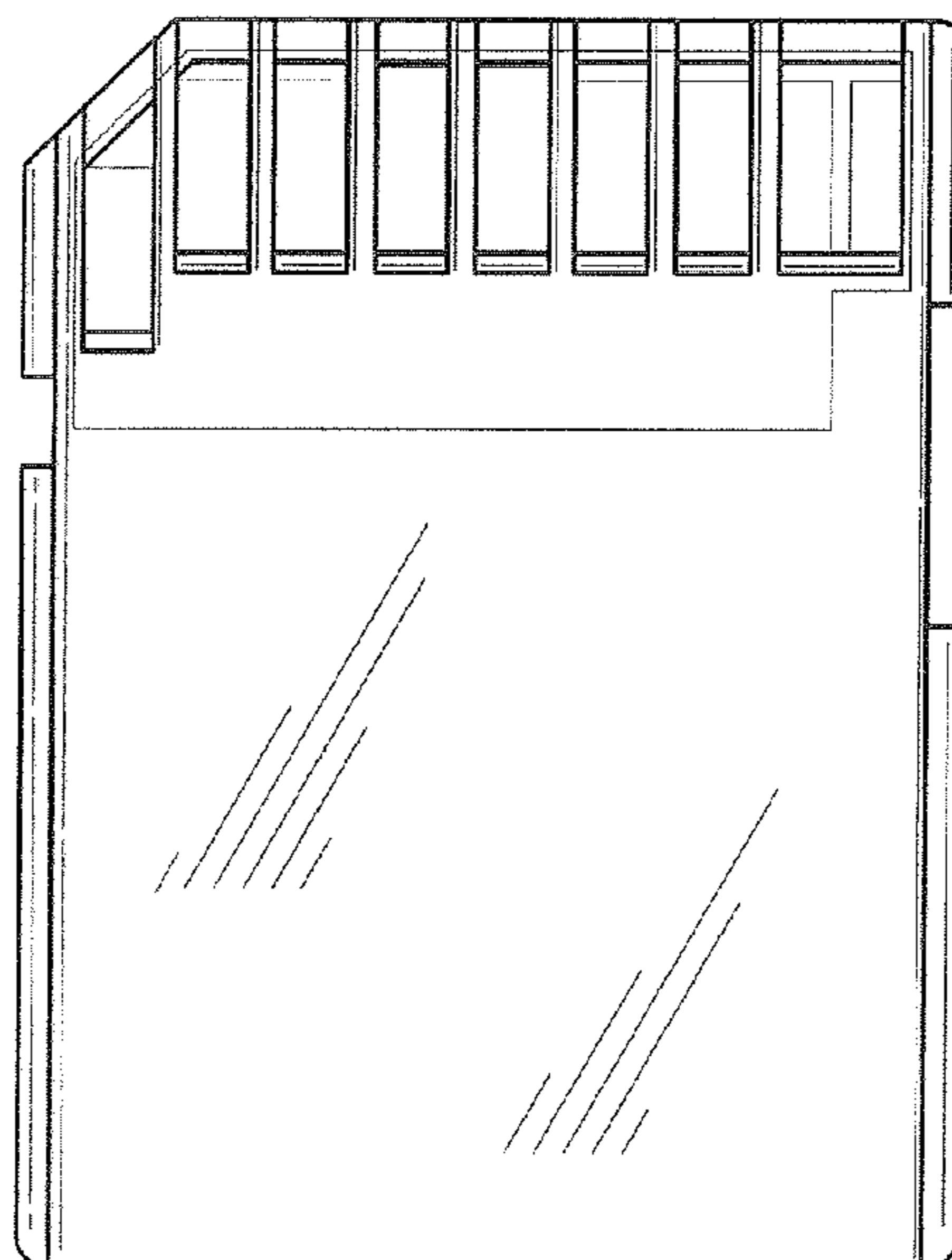
FIG. 1 is a perspective view of a flash memory card with a translucent cover according to the present invention;
 FIG. 2 is a bottom view thereof;
 FIG. 3 is a first end view thereof;
 FIG. 4 is a first side view thereof;
 FIG. 5 is a second side view thereof;
 FIG. 6 is a top view thereof; and,
 FIG. 7 is a second end view thereof.

1 Claim, 2 Drawing Sheets

(56) **References Cited**

U.S. PATENT DOCUMENTS

D442,598 S	5/2001	Wallace et al.	
D444,473 S *	7/2001	Okamoto et al. D14/436
D445,096 S	7/2001	Wallace	
D445,111 S *	7/2001	Okamoto et al. D14/436
D446,525 S *	8/2001	Okamoto et al. D14/436
D447,481 S	9/2001	Wallace et al.	
D452,243 S	12/2001	Wallace	



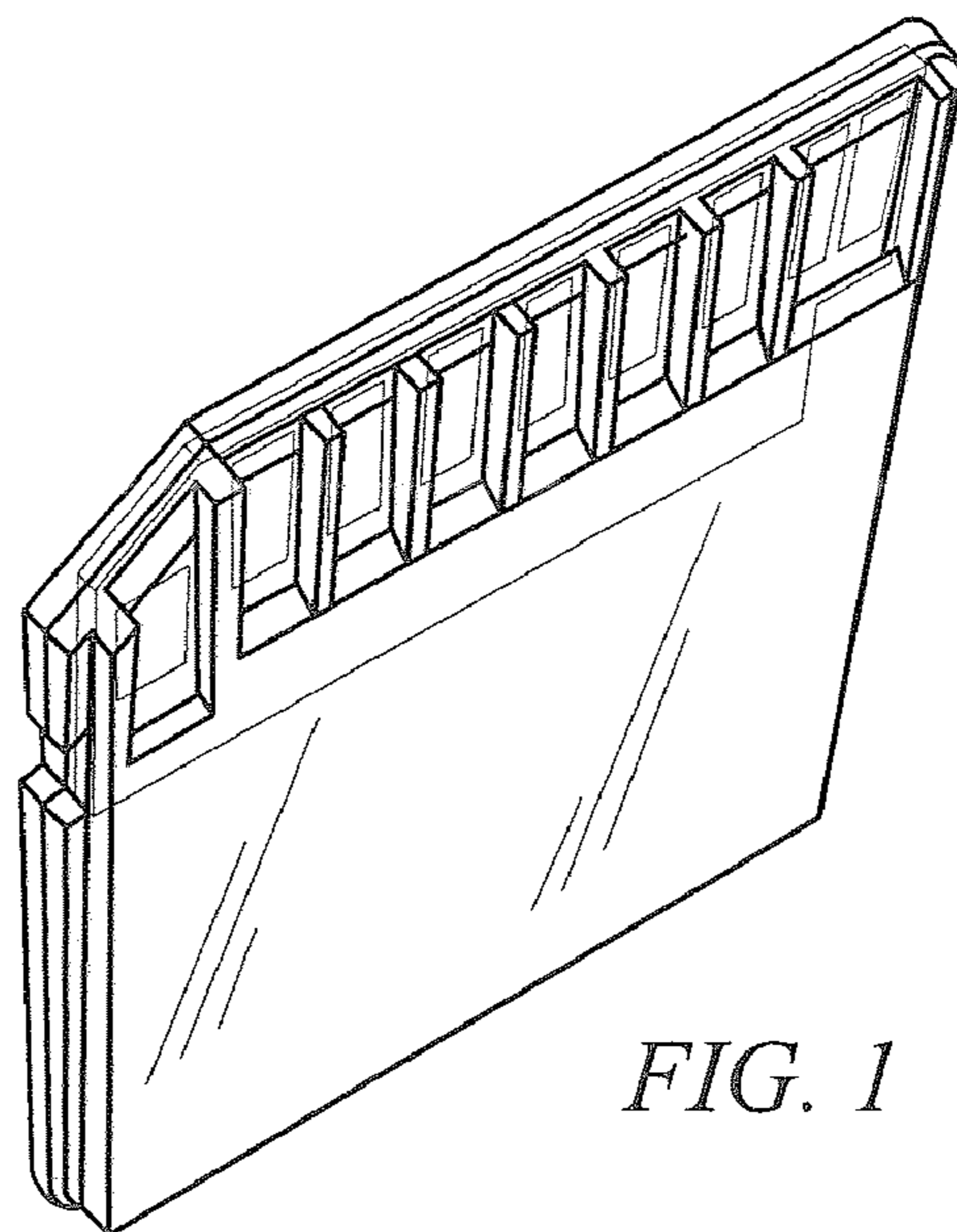


FIG. 1

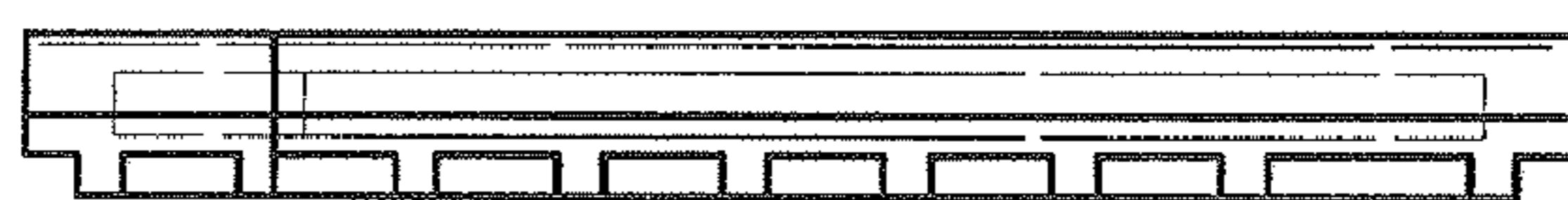


FIG. 3

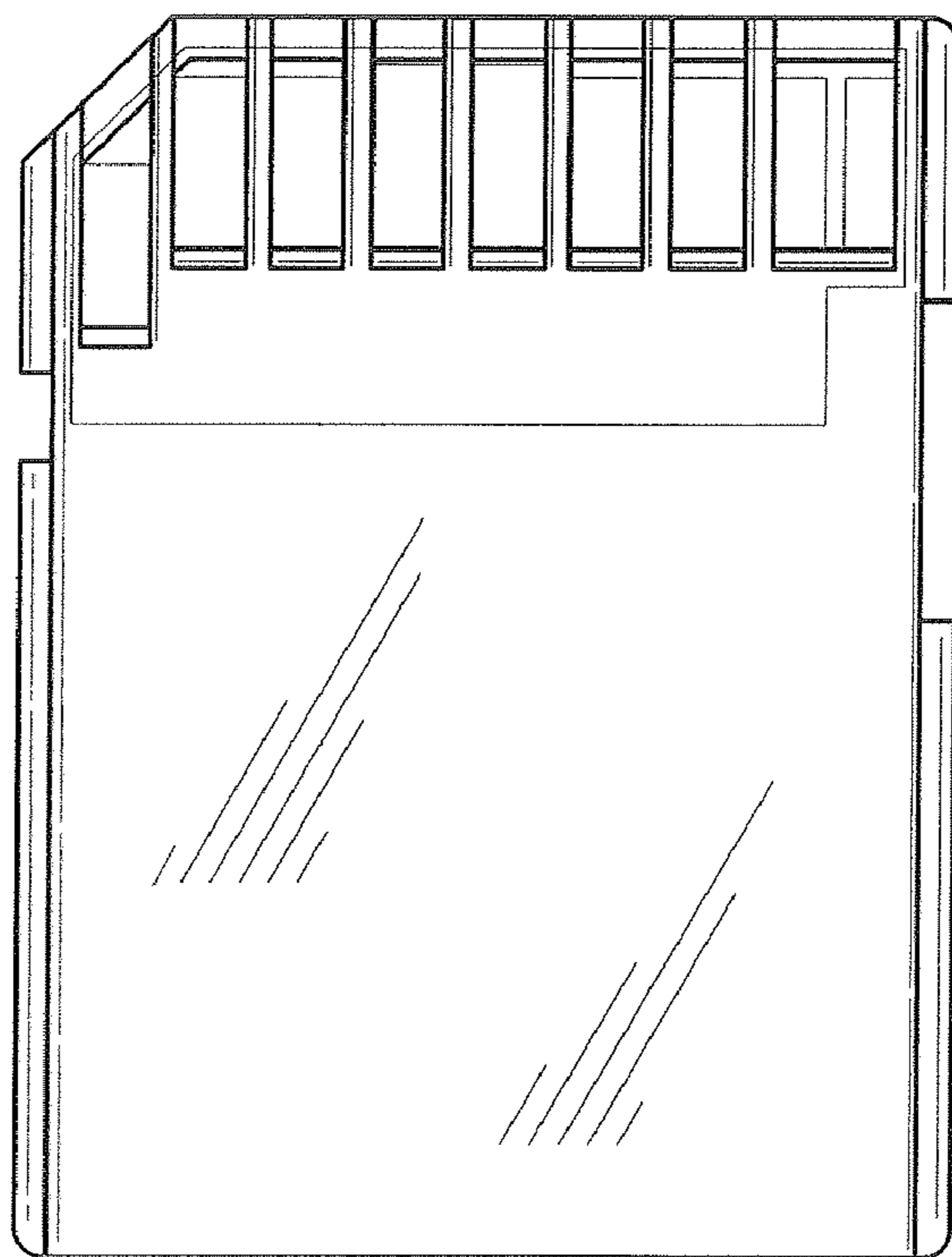


FIG. 2

FIG. 4



FIG. 5



FIG. 6

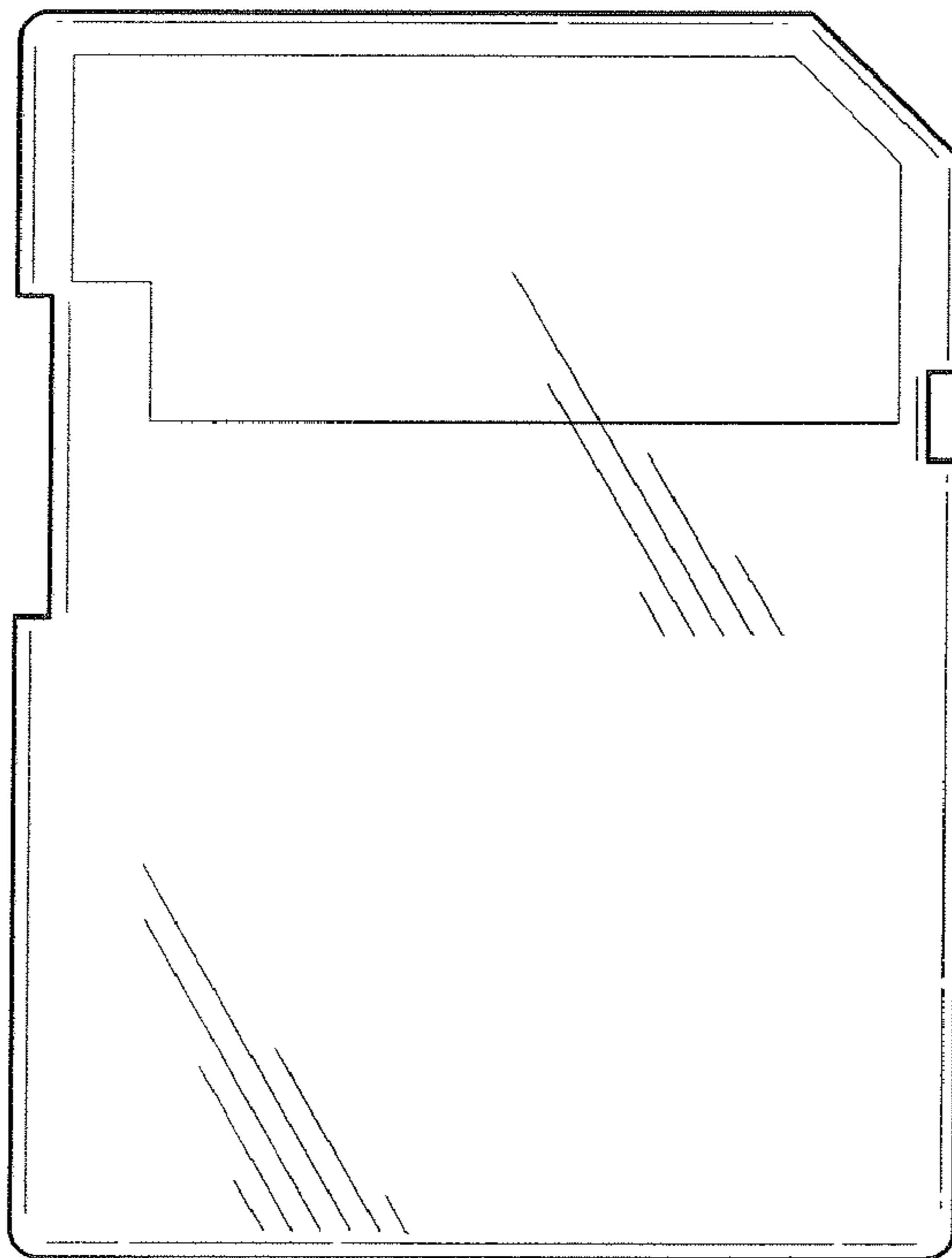


FIG. 7

