



US00D554120S

(12) **United States Design Patent**
Hasegawa et al.

(10) **Patent No.:** **US D554,120 S**

(45) **Date of Patent:** **** Oct. 30, 2007**

(54) **COMPUTER DISPLAY**

D515,523 S * 2/2006 Asanuma et al. D14/129
D516,557 S * 3/2006 Noda et al. D14/375

(75) Inventors: **Kenichi Hasegawa**, Tokyo (JP); **Seiji Matsui**, Tokyo (JP); **Yoshihiro Takechi**, Tokyo (JP); **Yoichiro Okoshi**, Tokyo (JP); **Naoto Fukasawa**, Tokyo (JP)

* cited by examiner

Primary Examiner—Freda S Nunn
(74) *Attorney, Agent, or Firm*—Darby & Darby

(73) Assignee: **NEC Display Solutions, Ltd.**, Tokyo (JP)

(57) **CLAIM**

The ornamental design for a computer display, as shown and described.

(**) Term: **14 Years**

(21) Appl. No.: **29/256,007**

(22) Filed: **Mar. 14, 2006**

(30) **Foreign Application Priority Data**

Sep. 15, 2005 (JP) 2005-026764

(51) **LOC (8) Cl.** **14-02**

(52) **U.S. Cl.** **D14/375**

(58) **Field of Classification Search** D14/371–375,
D14/125–129, 133; 345/104, 156, 167, 173;
348/180, 184, 325, 739, 837; 248/917–924,
248/278.1; 349/1, 2, 11, 62; 341/12
See application file for complete search history.

(56) **References Cited**

U.S. PATENT DOCUMENTS

D434,738 S * 12/2000 Takemasa D14/133
D446,519 S * 8/2001 Wu D14/375
D471,549 S * 3/2003 Tsuji D14/375
6,837,469 B2 * 1/2005 Wu et al. 248/278.1
D512,423 S * 12/2005 Tanimura et al. D14/371
D513,002 S * 12/2005 Lin et al. D14/371

DESCRIPTION

FIG. 1 is a perspective view of a computer display.

FIG. 2 is a front elevation view thereof.

FIG. 3 is a rear elevation view thereof.

FIG. 4 is a top plan view thereof.

FIG. 5 is a bottom plan view thereof.

FIG. 6 is a left side elevation view thereof.

FIG. 7 is a right side elevation view thereof.

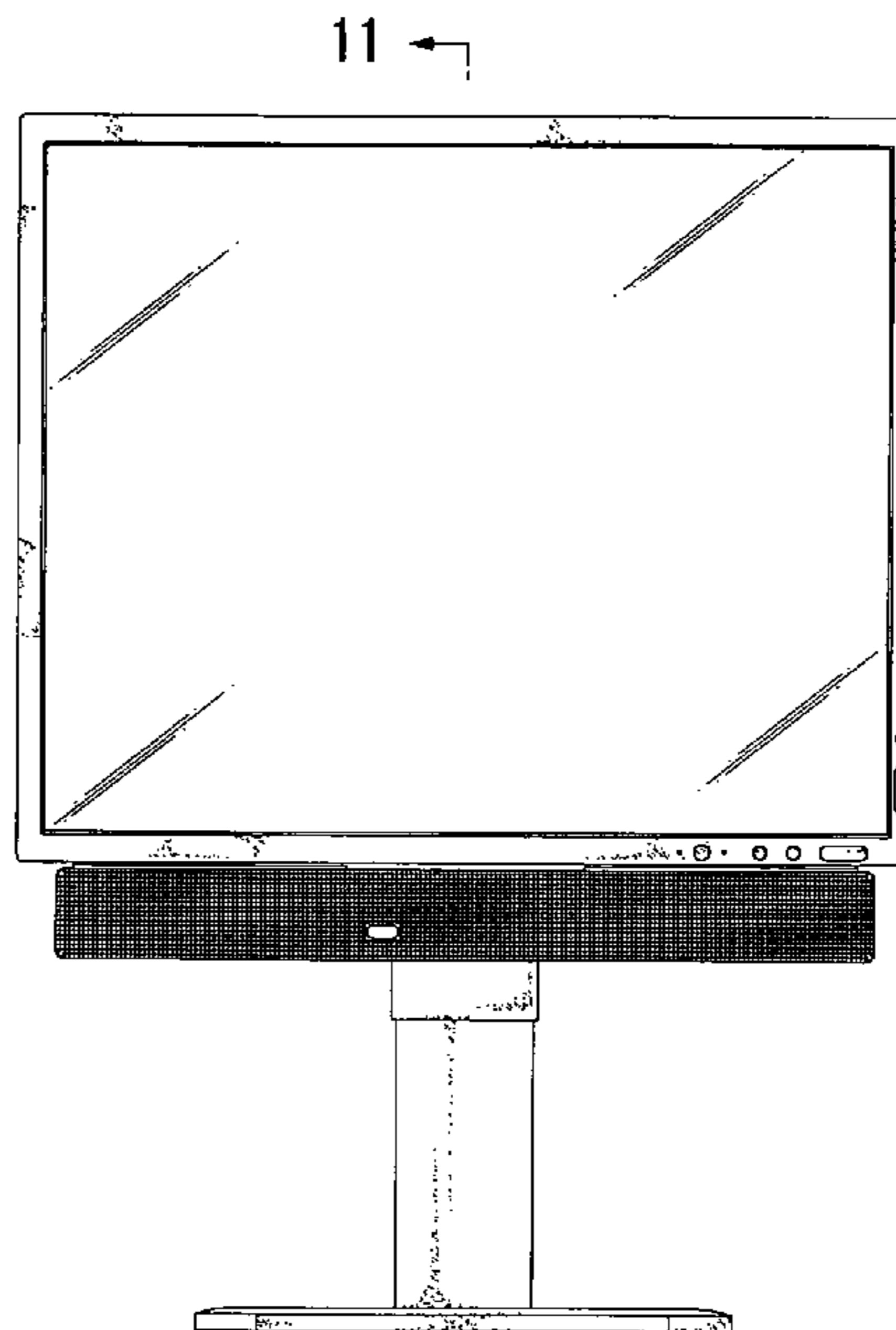
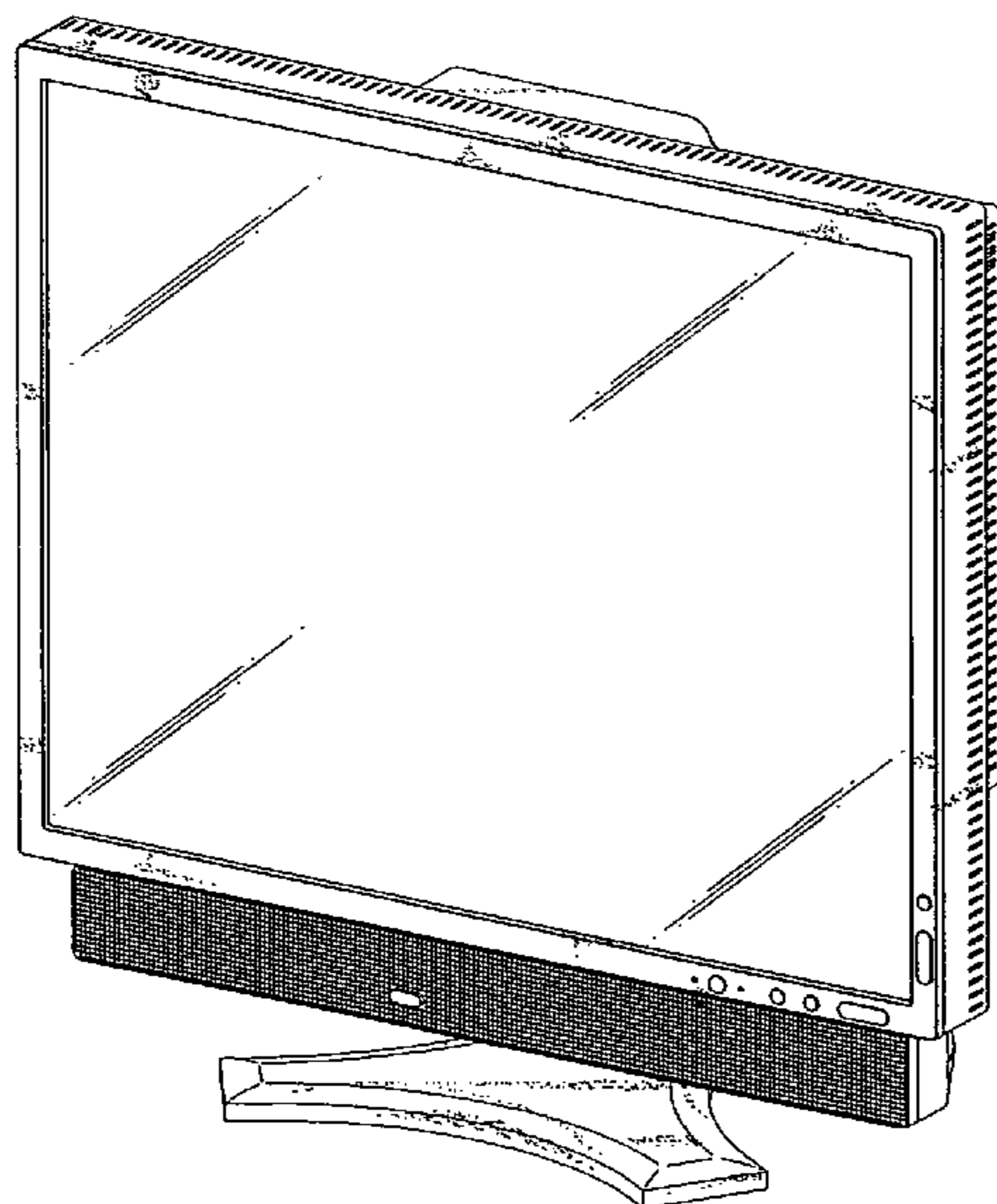
FIG. 8 is a longitudinal cross-sectional view of the central part of the front elevation view thereof, taken along lines 8—8 of FIG. 2, which omits the internal structure.

FIG. 9 is a reduced front elevation view with the stand extended vertically.

FIG. 10 is a reduced right side elevation view with the stand extended vertically; and,

FIG. 11 is a reduced longitudinal cross-sectional view of the central part of the front elevation view taken along lines 11—11 of FIG. 2 with the stand extended vertically.

1 Claim, 11 Drawing Sheets



11 ←

FIG. 1

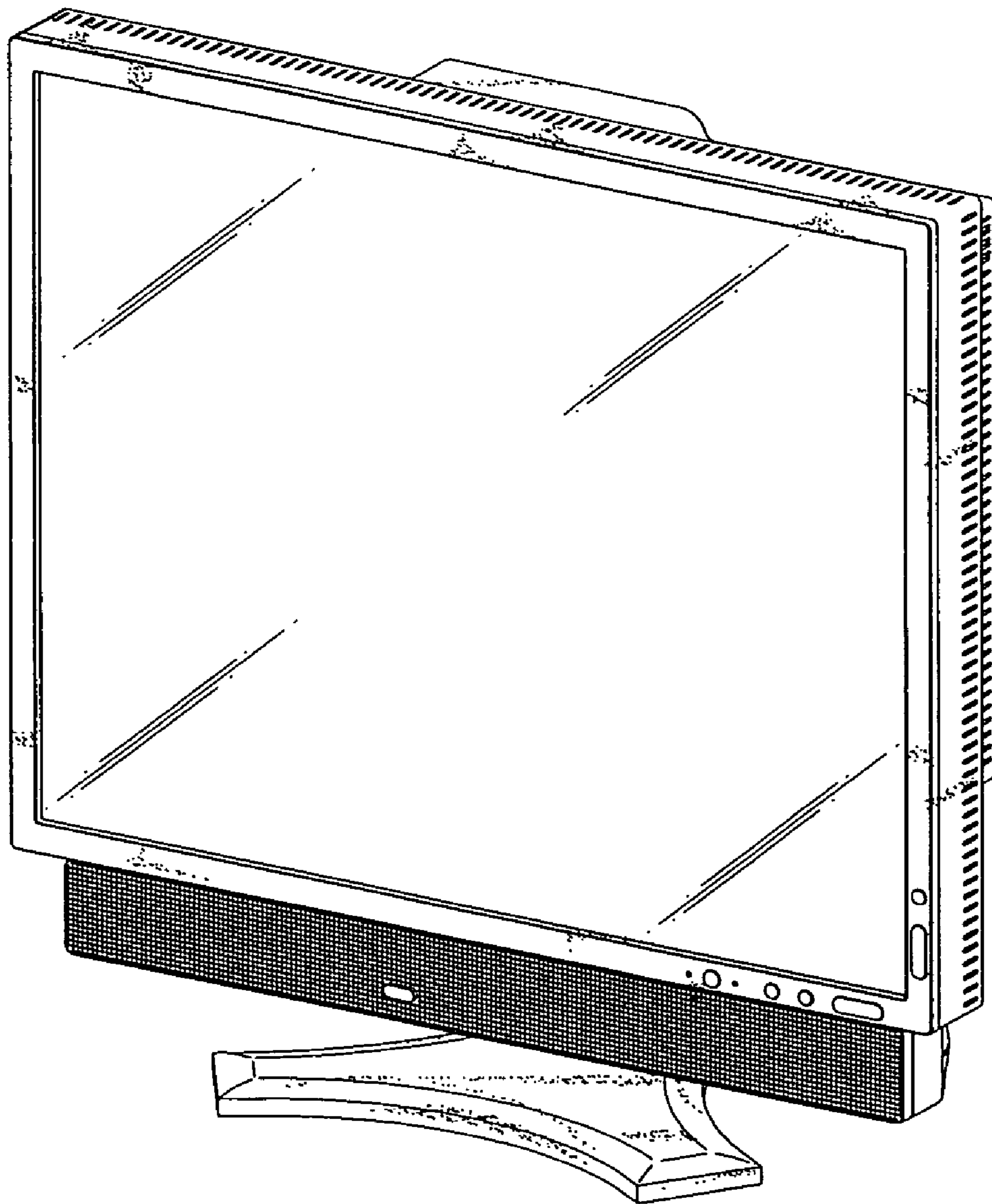


FIG. 2

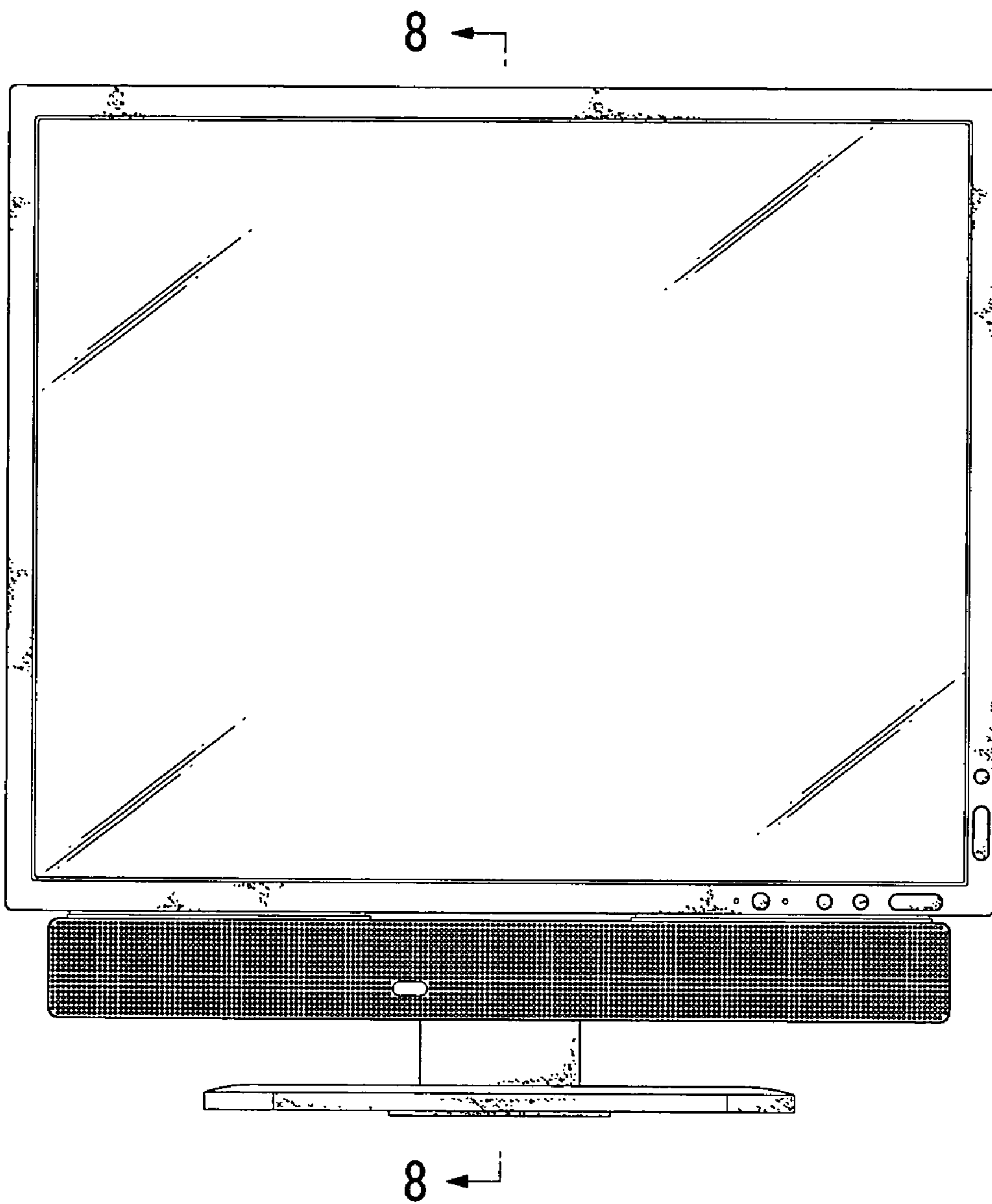


FIG. 3

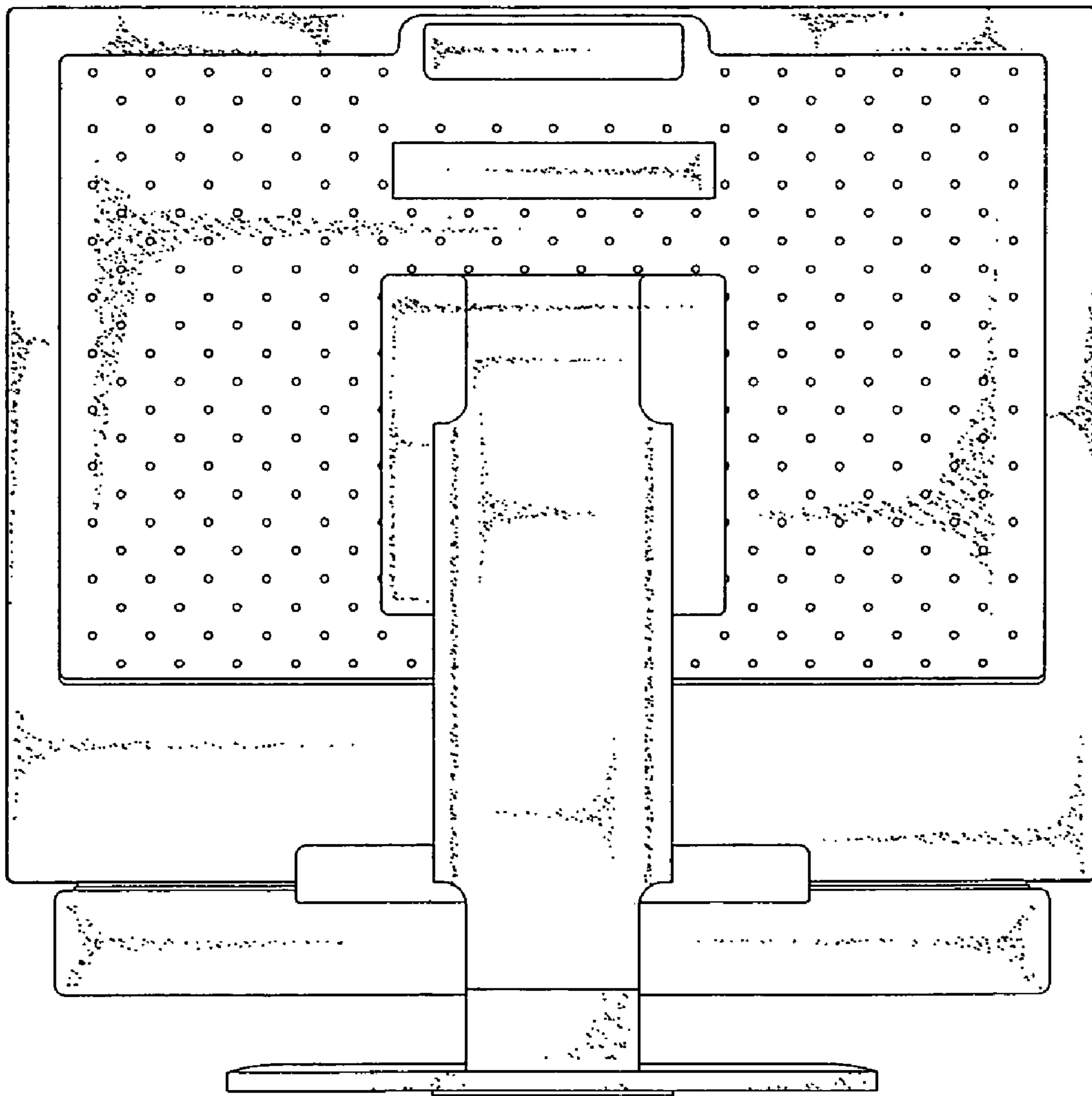


FIG. 4

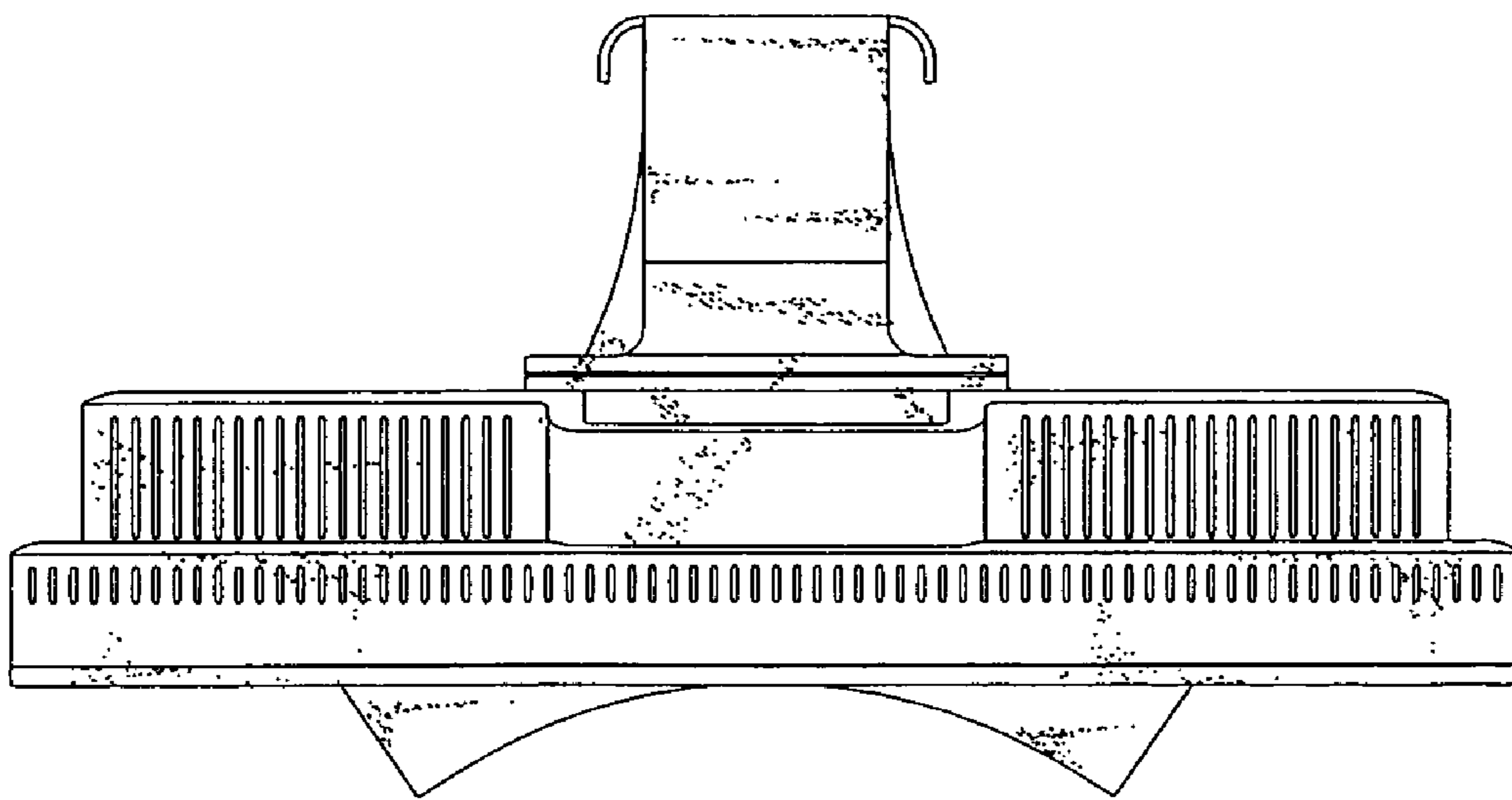


FIG. 5

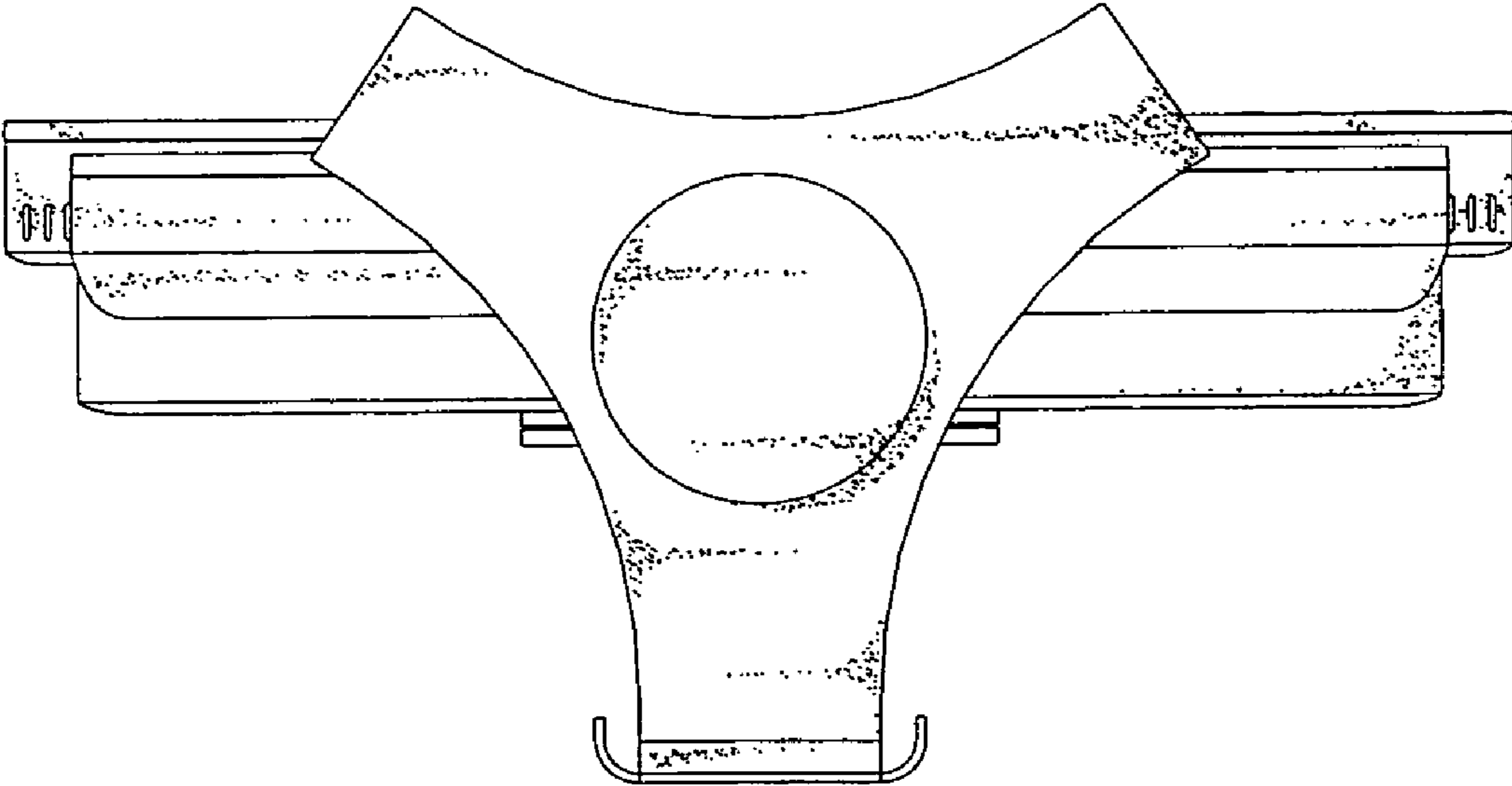


FIG. 6

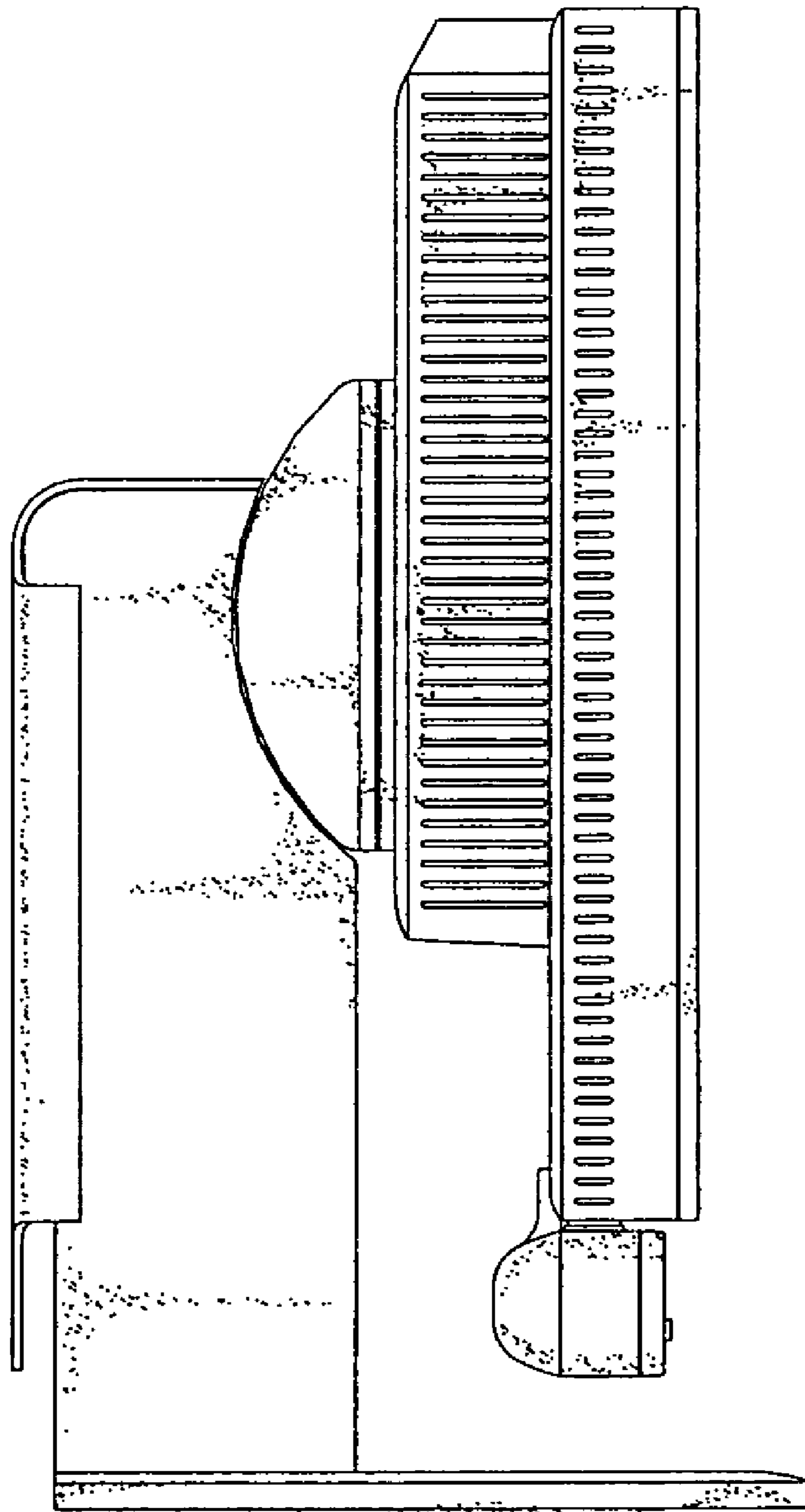


FIG. 7

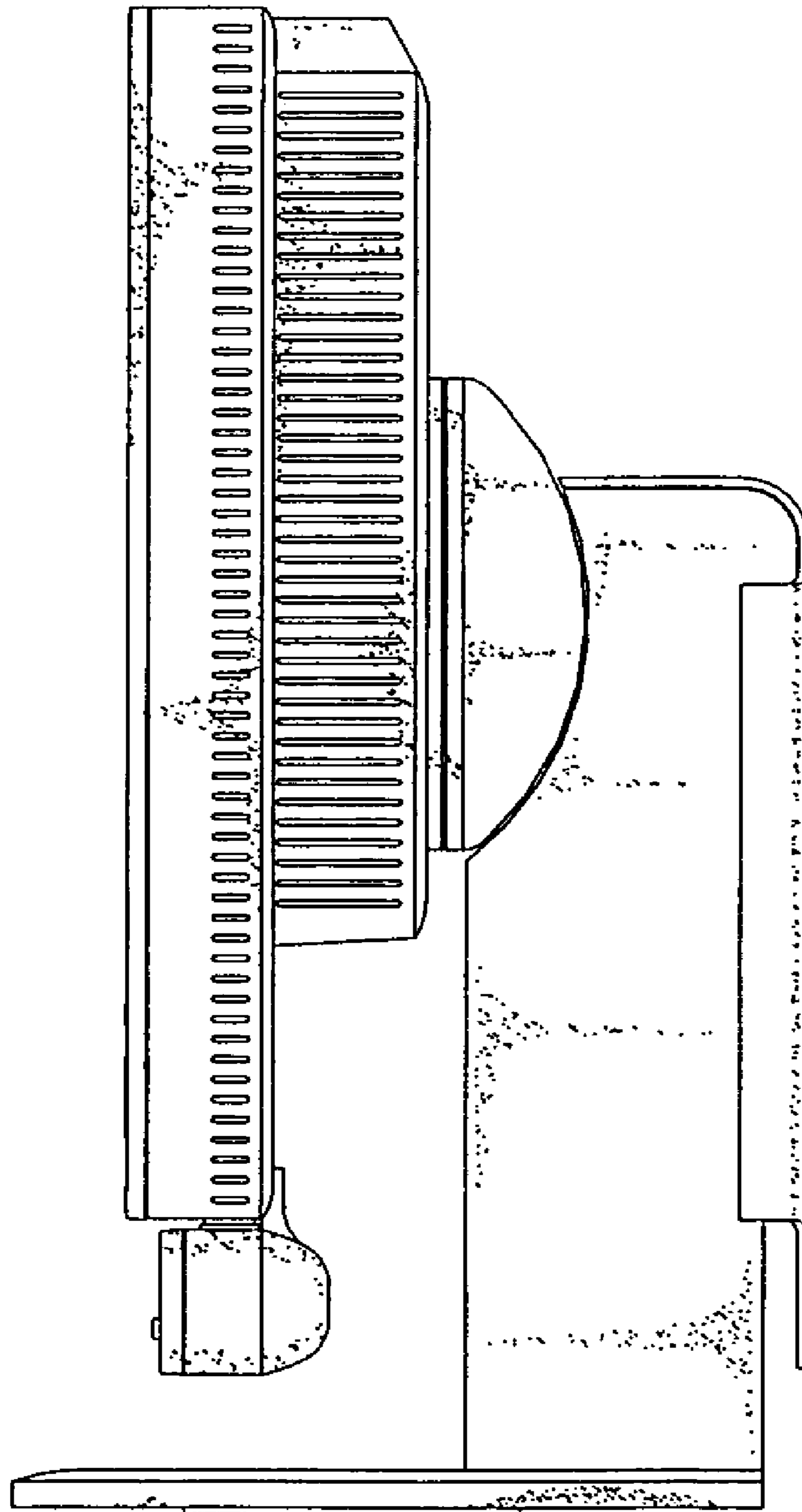


FIG. 8

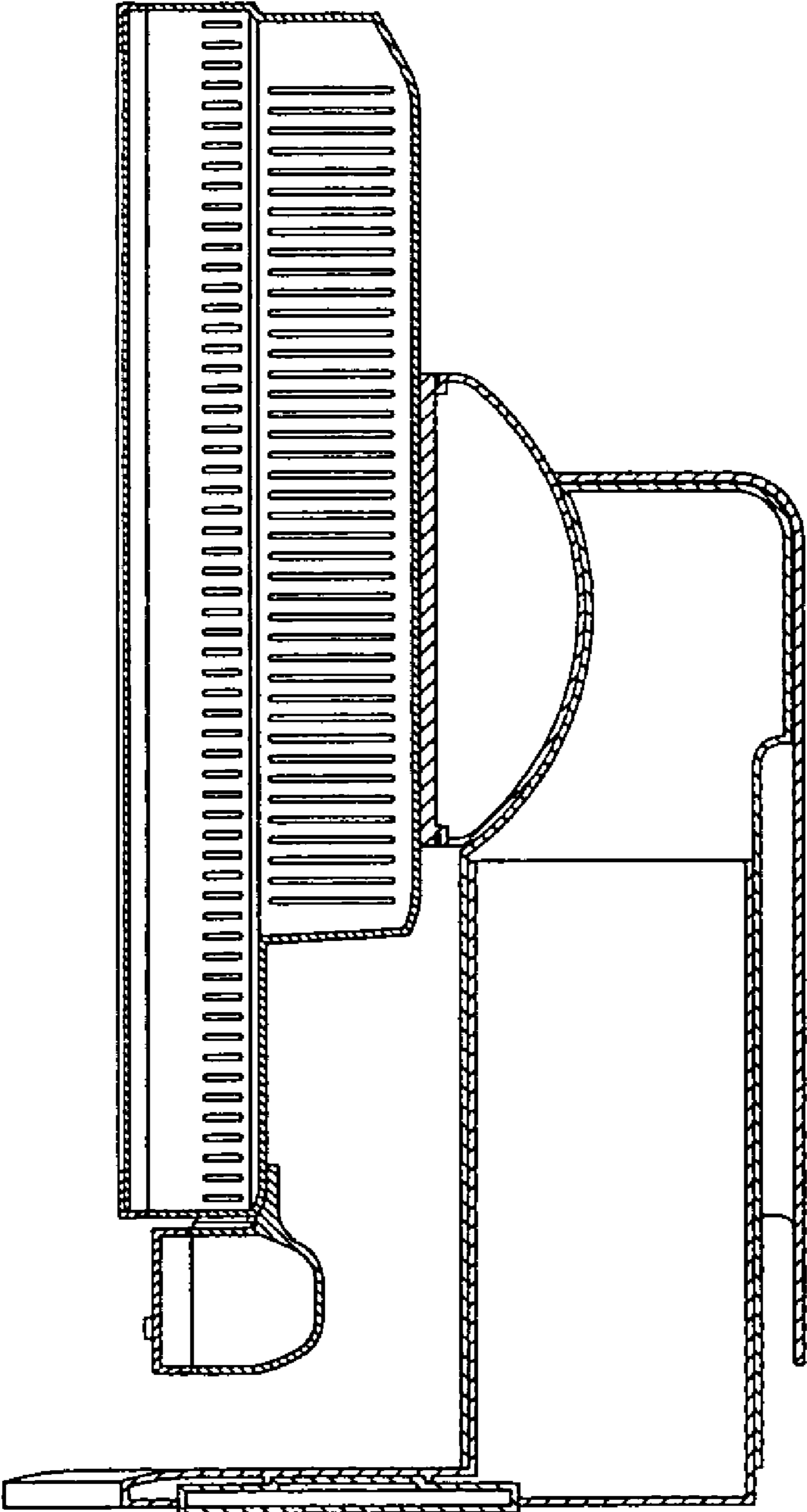
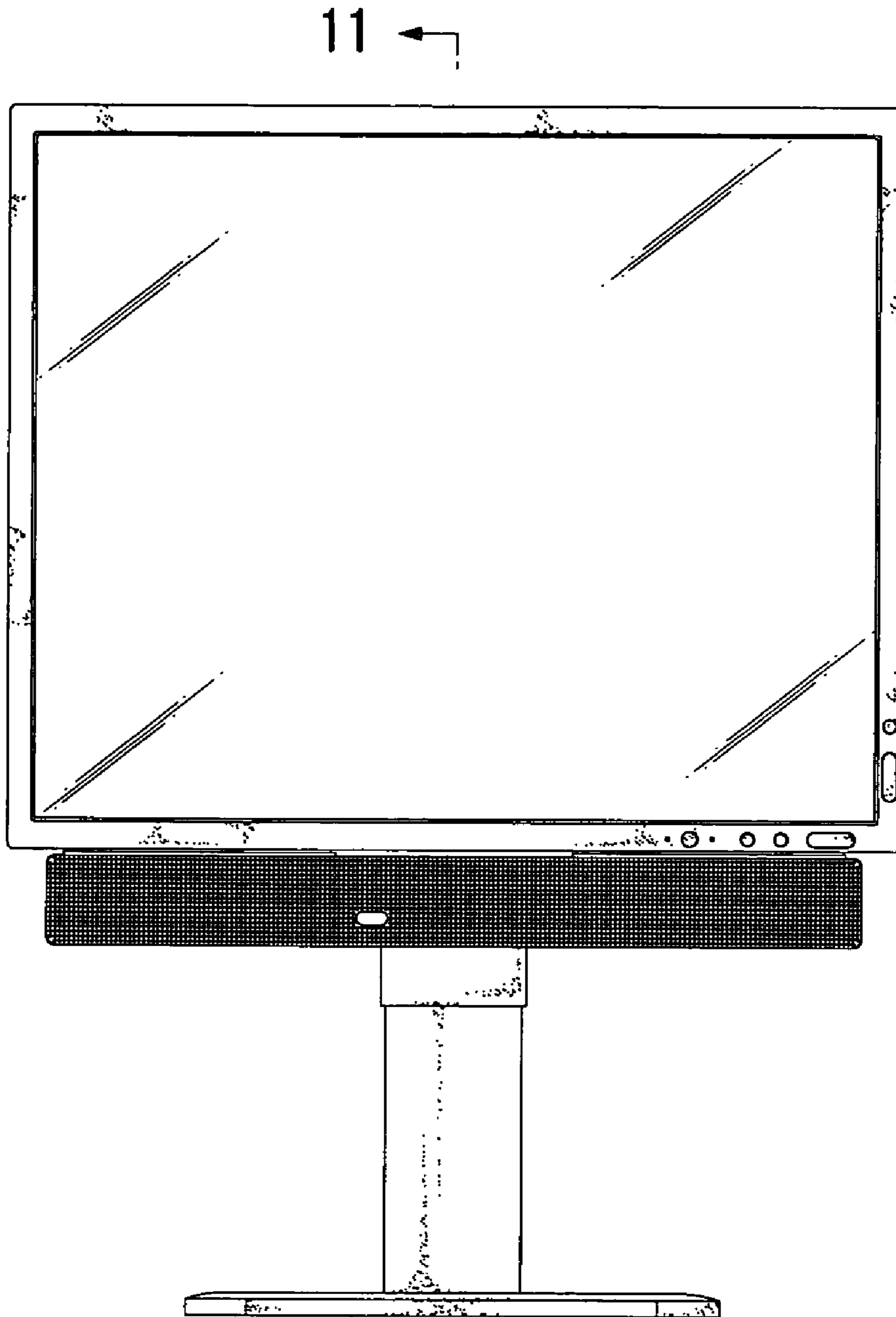


FIG. 9



11 ←

FIG. 10

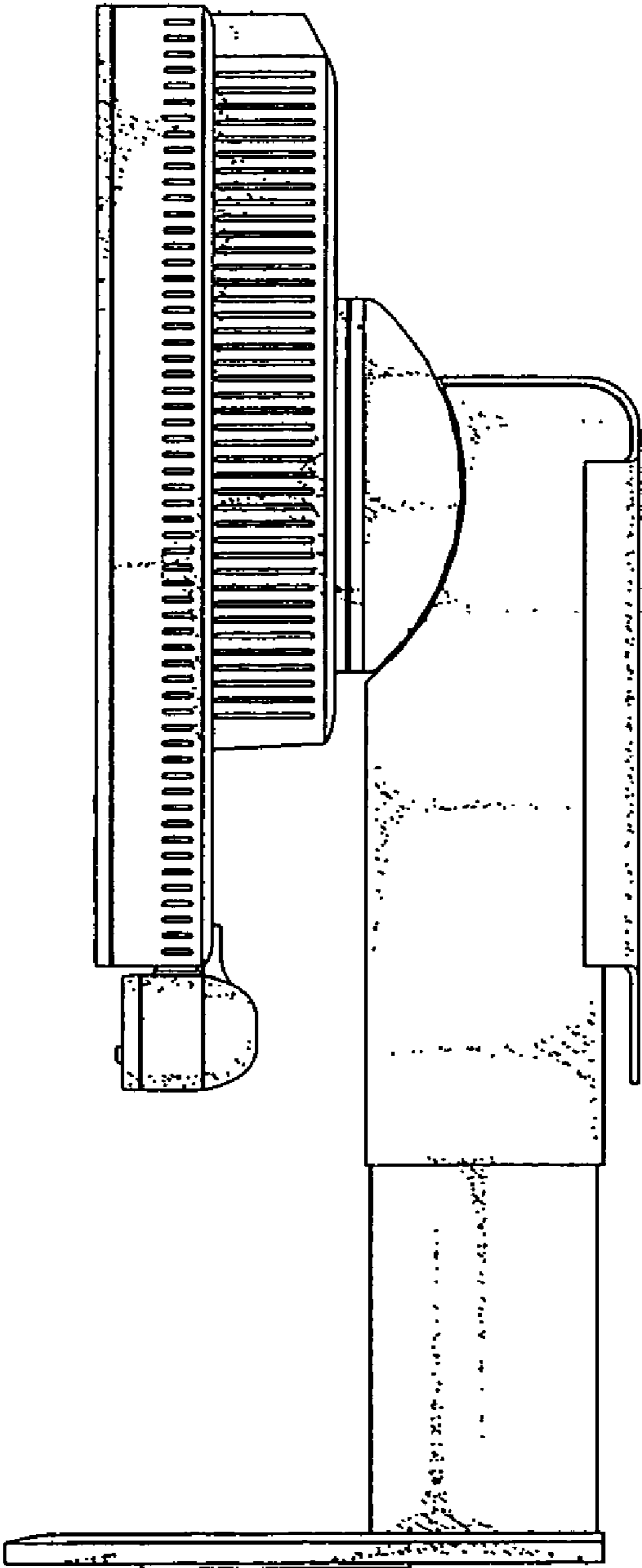
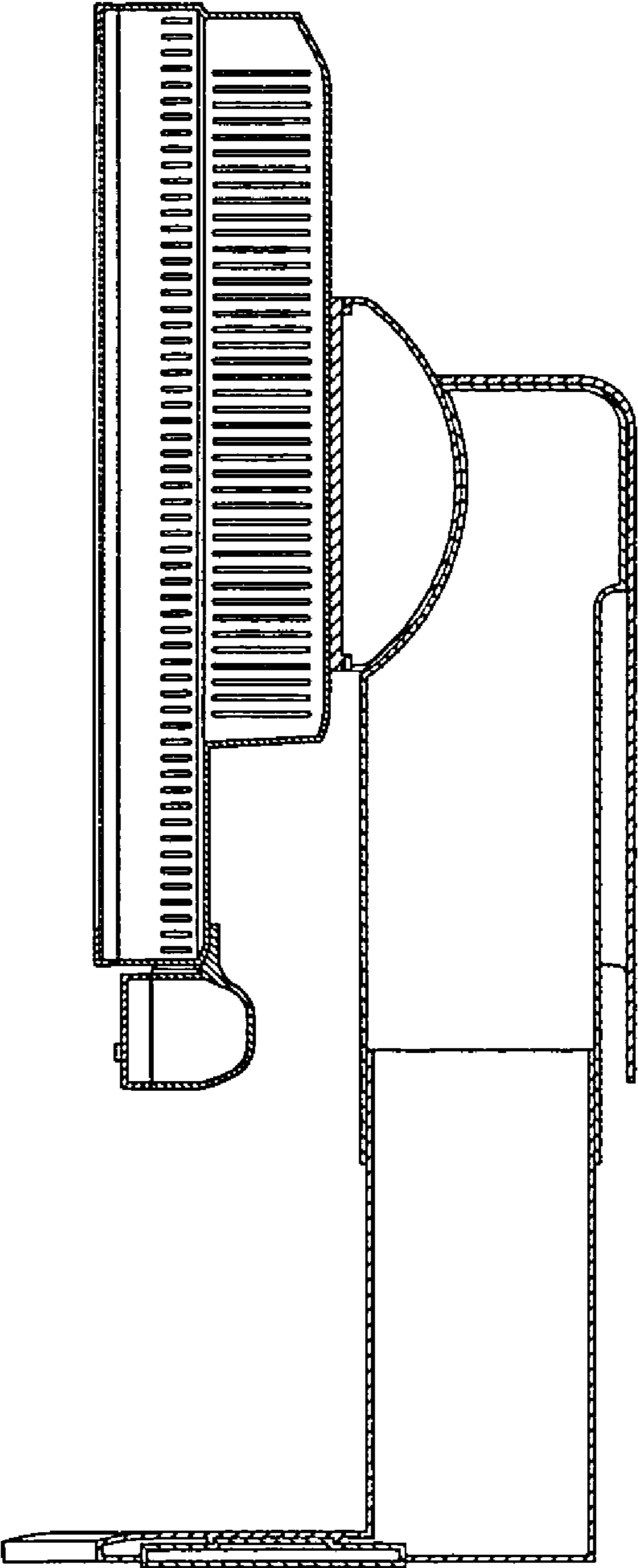


FIG. 11



UNITED STATES PATENT AND TRADEMARK OFFICE
CERTIFICATE OF CORRECTION

PATENT NO. : Des. 554,120 S
APPLICATION NO. : 29/256007
DATED : October 30, 2007
INVENTOR(S) : Kenichi Hasegawa et al.

Page 1 of 1

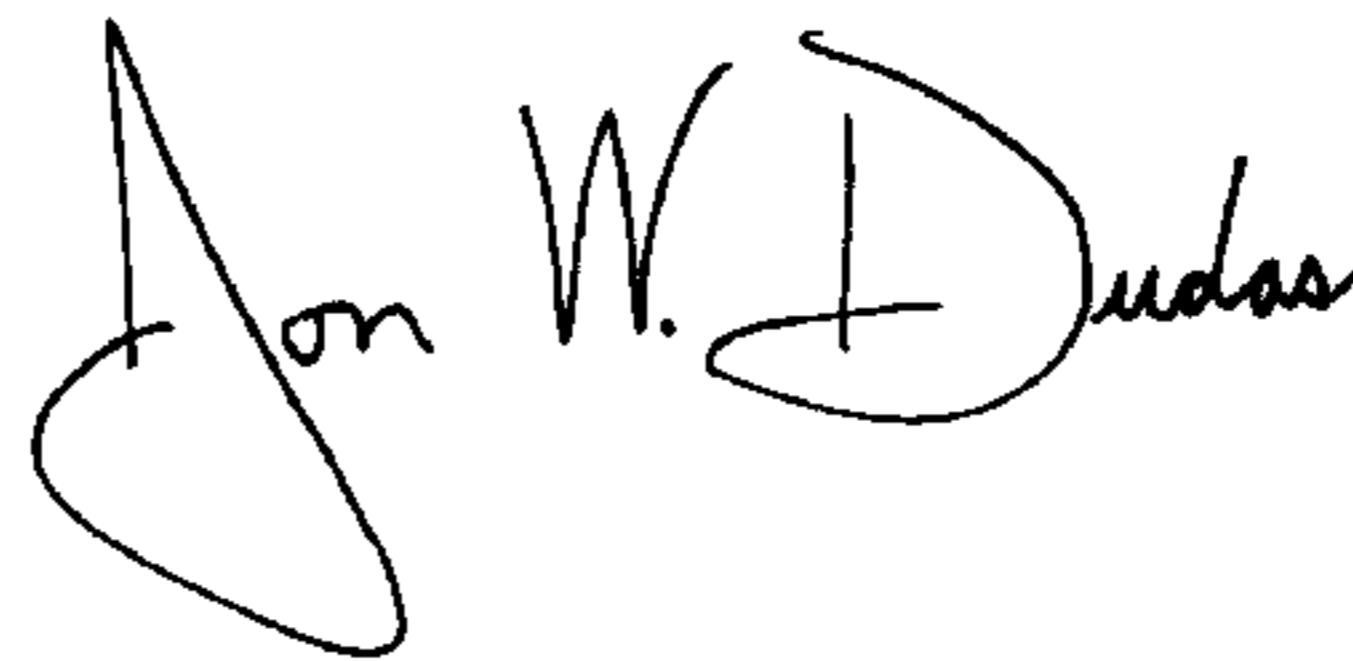
It is certified that error appears in the above-identified patent and that said Letters Patent is hereby corrected as shown below:

On the Front Cover:

Please delete "lines 11-11 of Fig. 2 with the strand extended vertically" and insert --lines 11-11 of Fig. 9 with the strand extended vertically--

Signed and Sealed this

Tenth Day of June, 2008

A handwritten signature in black ink that reads "Jon W. Dudas". The signature is written in a cursive style with a large, looped initial "J".

JON W. DUDAS

Director of the United States Patent and Trademark Office