



US00D554119S

(12) **United States Design Patent** (10) **Patent No.:** **US D554,119 S**  
**Otsuka et al.** (45) **Date of Patent:** **\*\* Oct. 30, 2007**

(54) **USB FLASH MEMORY**  
 (75) Inventors: **Hitoshi Otsuka**, Yokosuka (JP); **Azusa Kanayama**, Tokyo (JP)

CN 3324356D 9/2003  
 JP 1154927 10/2002  
 JP 1174710 6/2003  
 KR KO 30-0328817 7/2003

(73) Assignee: **Kabushiki Kaisha Toshiba** (JP)

**OTHER PUBLICATIONS**

(\*\*) Term: **14 Years**

USB PDF's: <http://www.mrgadget.com.au/2004/11/toshiba-transmemory-usb-flash-drives.html>, Nov. 22, 2004.\*

(21) Appl. No.: **29/236,835**

(Continued)

(22) Filed: **Aug. 24, 2005**

*Primary Examiner*—Robin Webster  
*Assistant Examiner*—Karen E Kearney  
 (74) *Attorney, Agent, or Firm*—Banner & Witcoff, Ltd.

(51) **LOC (8) Cl.** ..... **14-02**

(52) **U.S. Cl.** ..... **D14/356; D14/435**

(58) **Field of Classification Search** ..... D14/137,  
 D14/156, 167, 240, 242, 299, 348, 356, 384-5,  
 D14/402, 432-435, 496; 361/685-6; 365/63,  
 365/131; 439/139-41, 144, 518, 638; 710/62,  
 710/74

(57) **CLAIM**

The ornamental design for a USB flash memory, as shown and described.

See application file for complete search history.

**DESCRIPTION**

(56) **References Cited**

**U.S. PATENT DOCUMENTS**

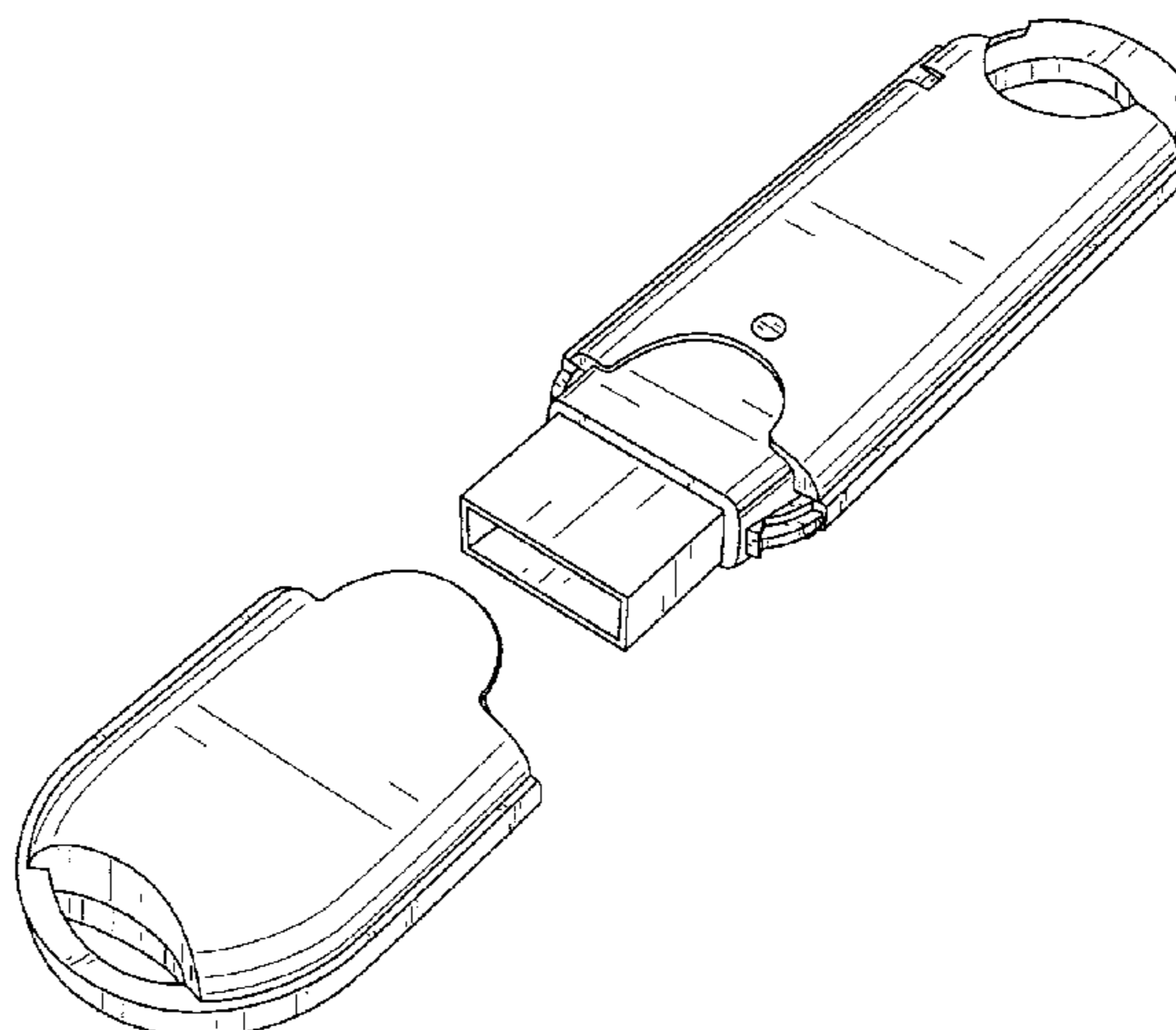
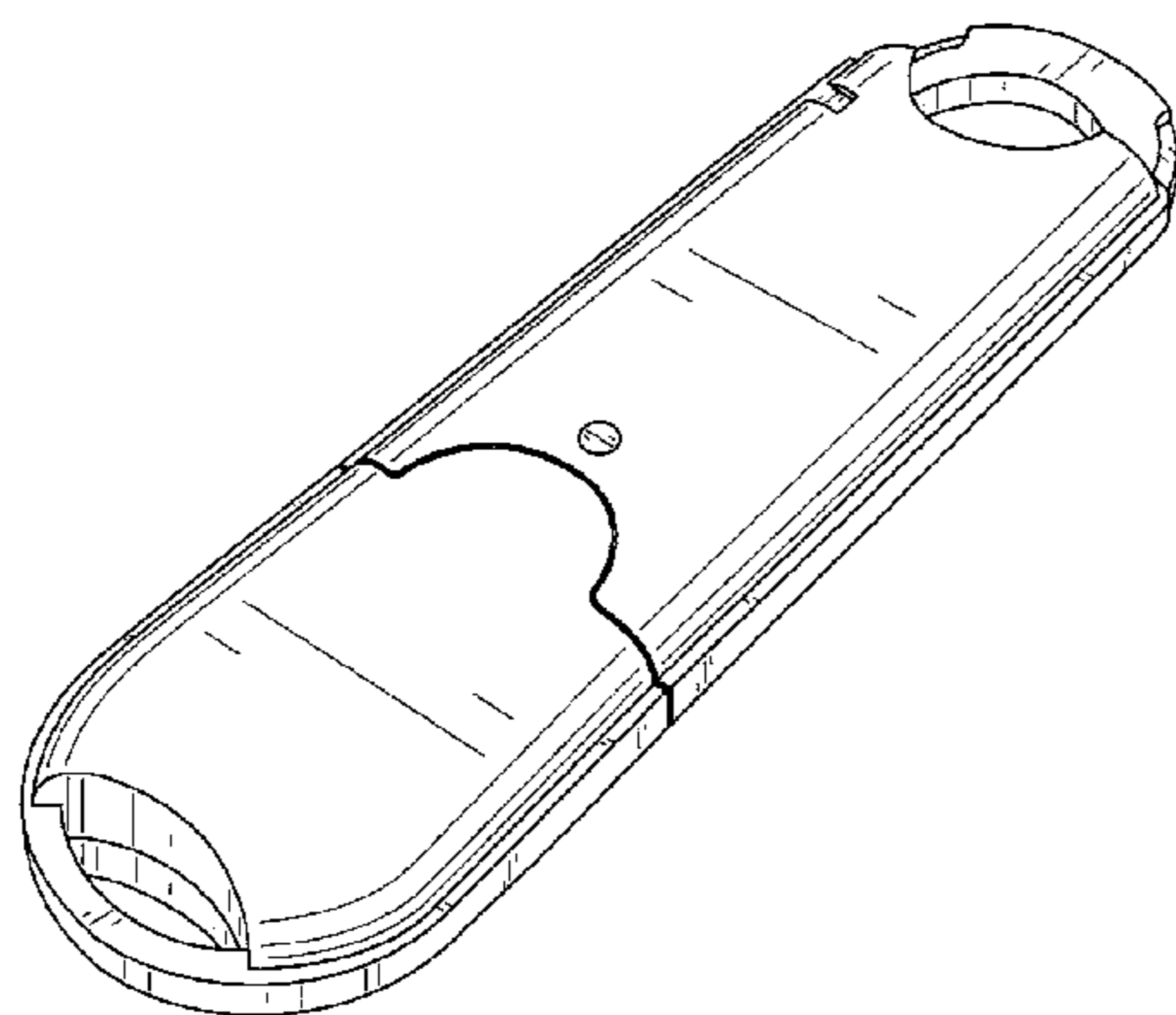
6,309,231	B1 *	10/2001	Gordon et al.	439/140
6,456,500	B1 *	9/2002	Chen	361/752
D475,359	S	6/2003	Hirose	
D479,712	S *	9/2003	Ng	D14/156
D494,969	S	8/2004	Lin	
D496,653	S *	9/2004	Townsend et al.	D14/240
D500,301	S *	12/2004	Deguchi	D14/167
D500,484	S	1/2005	Deguchi	
D502,166	S	2/2005	Nakamura	
D514,560	S *	2/2006	Brown et al.	D14/356
D518,907	S *	4/2006	Leung	D26/37
D519,503	S *	4/2006	Aqqad et al.	D14/356
D521,509	S *	5/2006	Chen	D14/356
D522,506	S *	6/2006	Chen	D14/356
D524,038	S *	7/2006	Leung	D3/208
D532,783	S *	11/2006	Yu	D14/356
2003/0099090	A1 *	5/2003	Su	361/685

**FOREIGN PATENT DOCUMENTS**

CN 3282315D 3/2003

FIG. 1 is a front, bottom and left side perspective view of a USB flash memory, showing our new design;  
 FIG. 2 is a front, bottom and left side perspective view thereof with a cap in a removed state;  
 FIG. 3 is a front elevational view thereof;  
 FIG. 4 is a rear elevational view thereof;  
 FIG. 5 is a top plan view thereof;  
 FIG. 6 is a bottom plan view thereof;  
 FIG. 7 is a right side elevational view thereof;  
 FIG. 8 is a left side elevational view thereof;  
 FIG. 9 is a top plan view thereof with the cap in a removed state;  
 FIG. 10 is a front elevational view thereof with the cap in a removed state; and,  
 FIG. 11 is a left side elevational view thereof with the cap in a removed state.

**1 Claim, 5 Drawing Sheets**



## US D554,119 S

Page 2

---

### OTHER PUBLICATIONS

<http://images-eu.amazon.com/images/P/B000A0D8JK.02.LZZZZZZZ.jpg>, Nov. 24, 2005.\*  
[http://www.motivators.com/viewlarge.asp?img=http://www.motivators.com/resize.asp?path=products/USB\\_1GB.jpg&v=1](http://www.motivators.com/viewlarge.asp?img=http://www.motivators.com/resize.asp?path=products/USB_1GB.jpg&v=1), Oct. 4, 2006.\*

[http://img.alibaba.com/photo/11493648/USB\\_Flash\\_Drive.jpg](http://img.alibaba.com/photo/11493648/USB_Flash_Drive.jpg), Nov. 16, 2006.\*  
B&H Catalog, Summer 2004, p. 188, published Jun. 2004.  
Dempa Shimbun Newspaper Extract, MP3-U128, dated Mar. 19, 2003.

\* cited by examiner

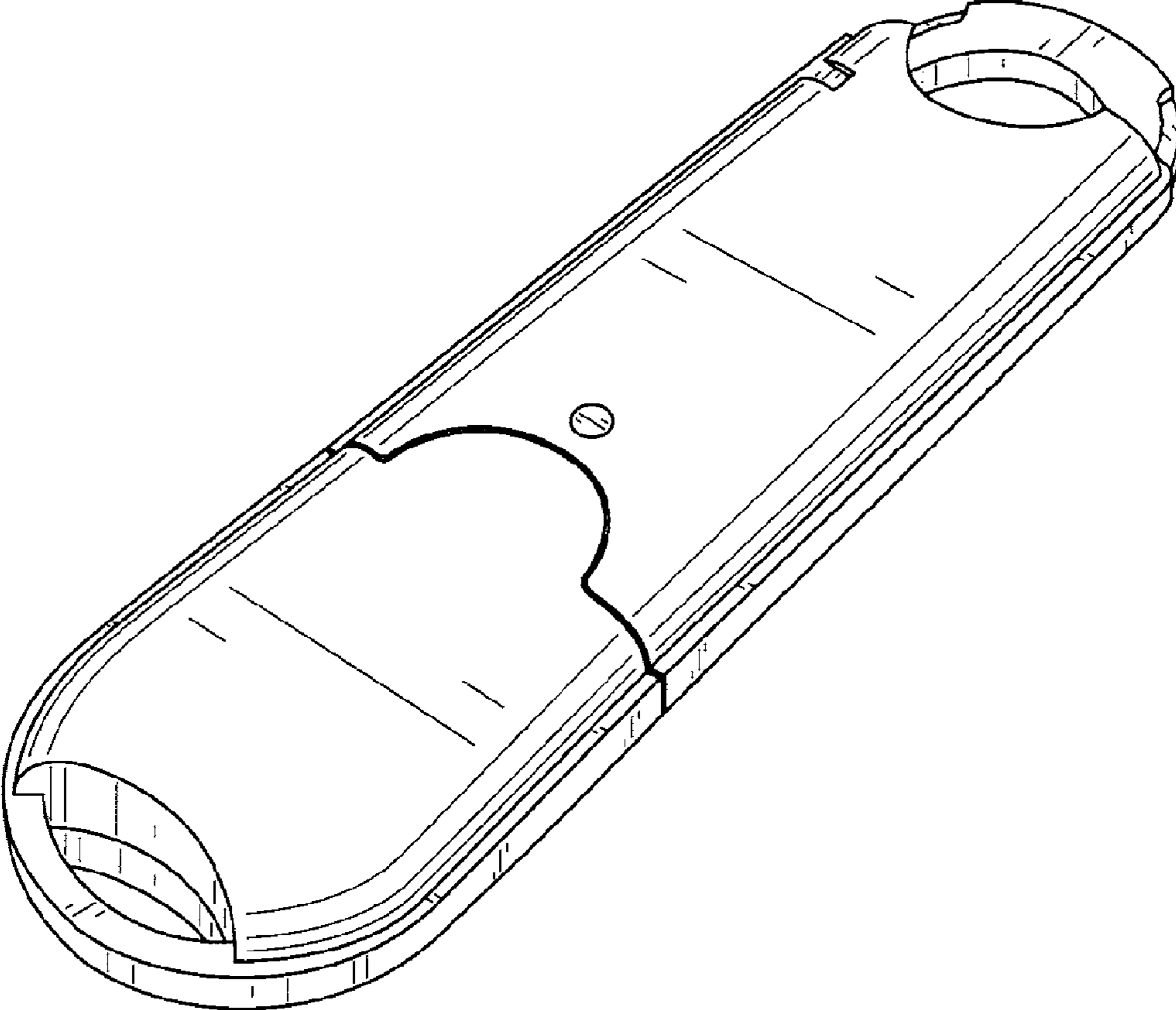


FIG. 1

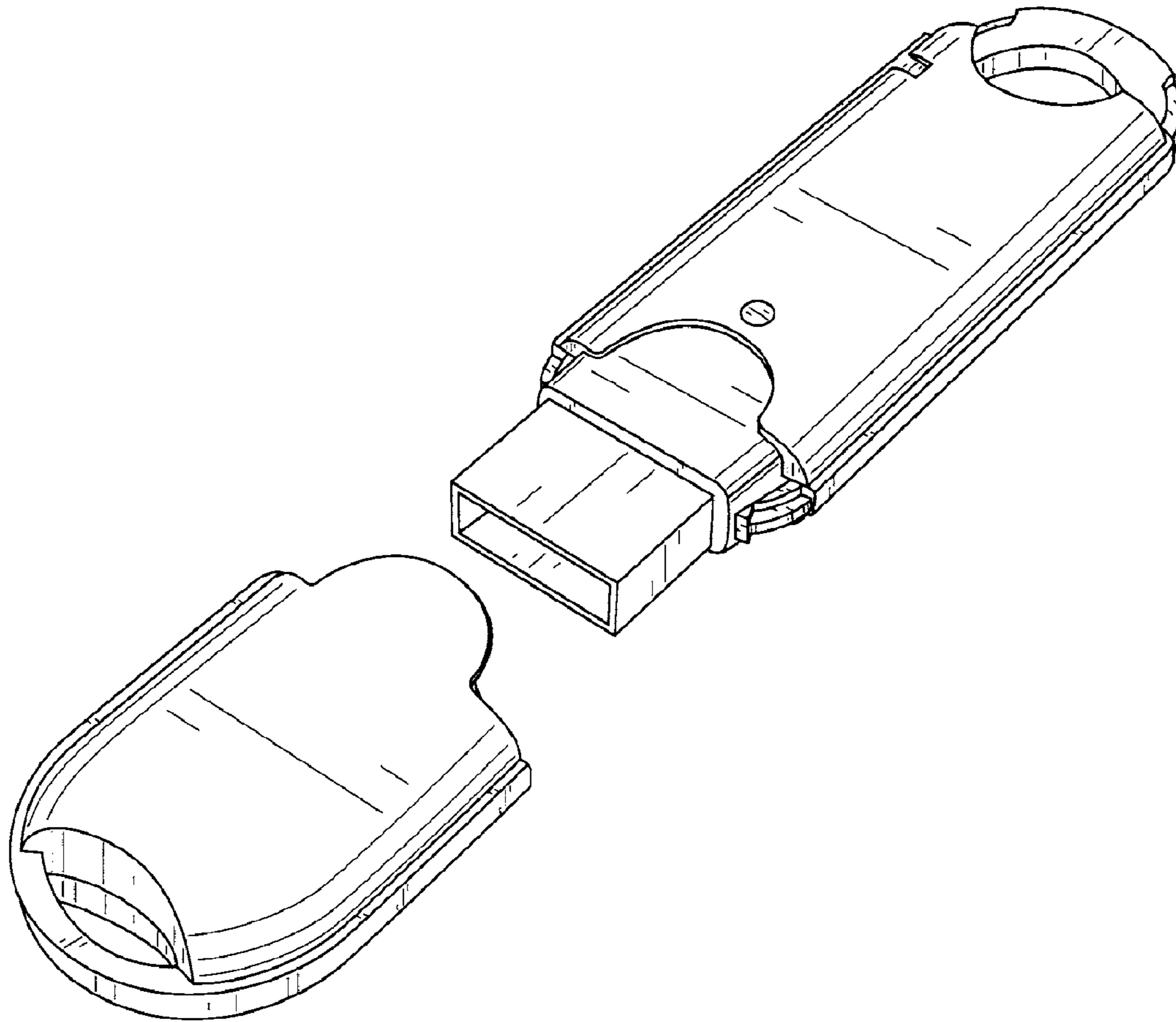


FIG. 2

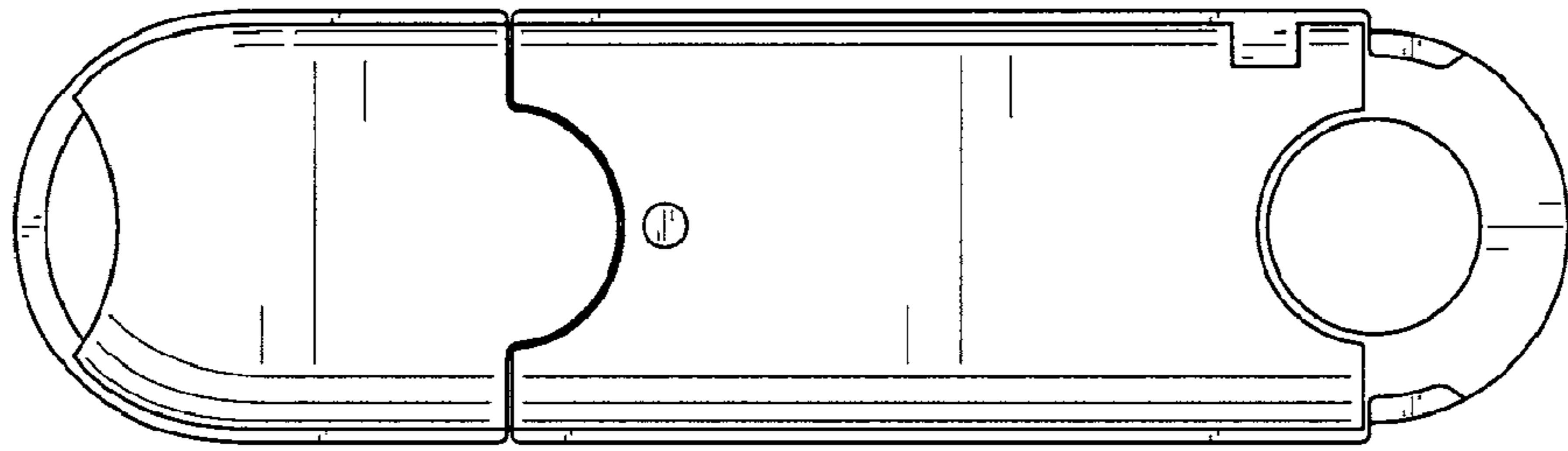


FIG. 3

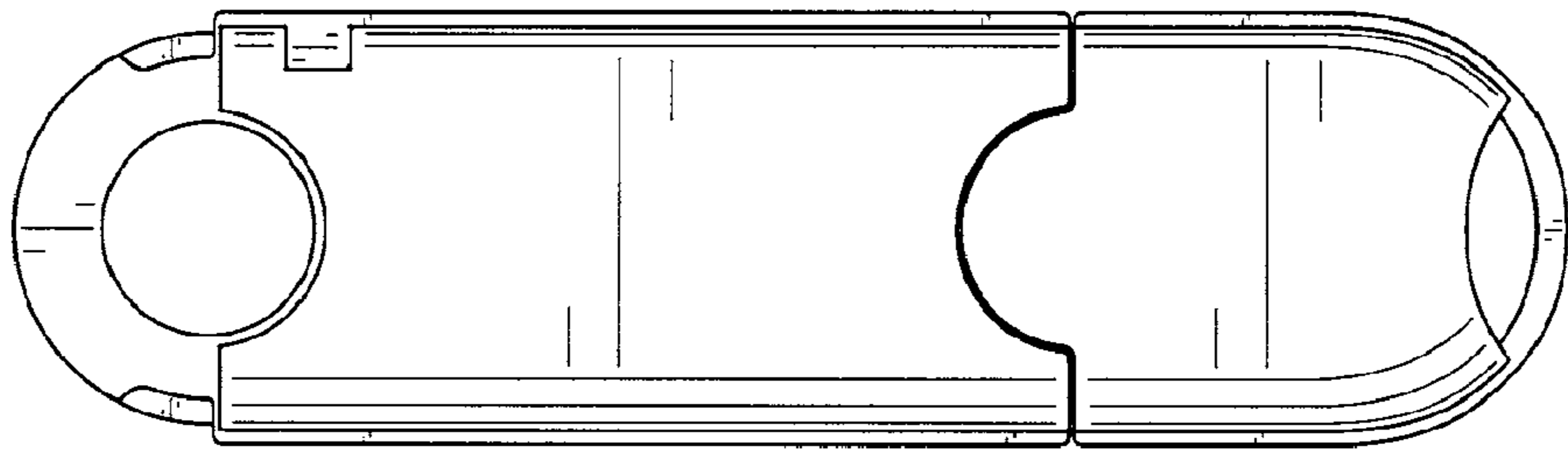


FIG. 4

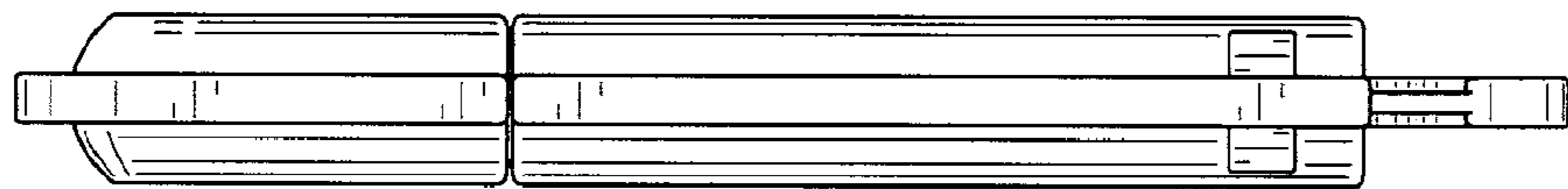


FIG. 5

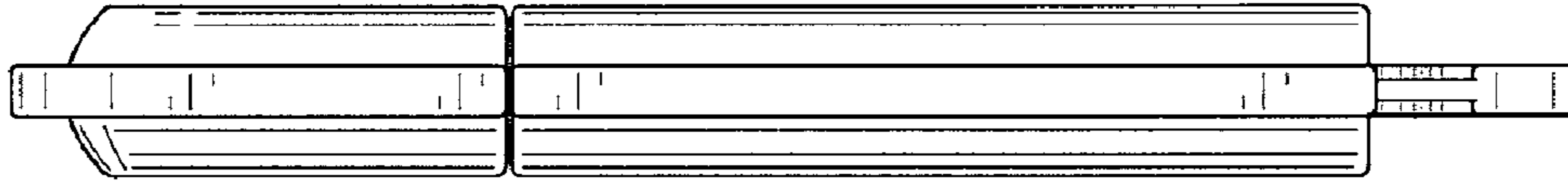


FIG. 6

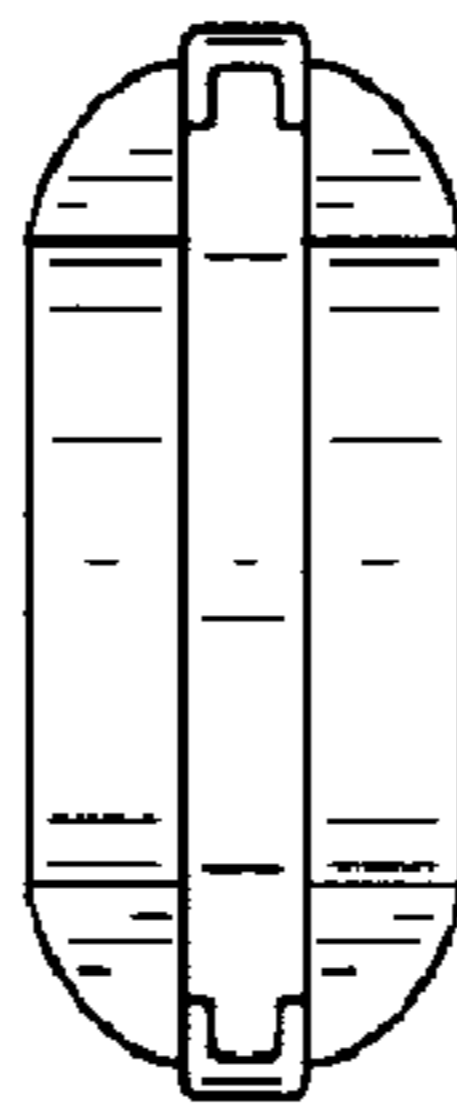


FIG. 7

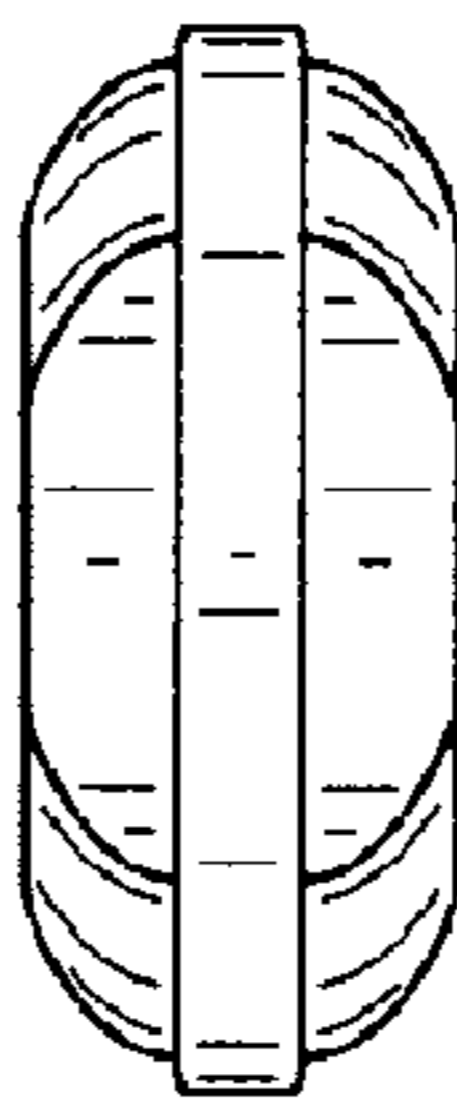


FIG. 8



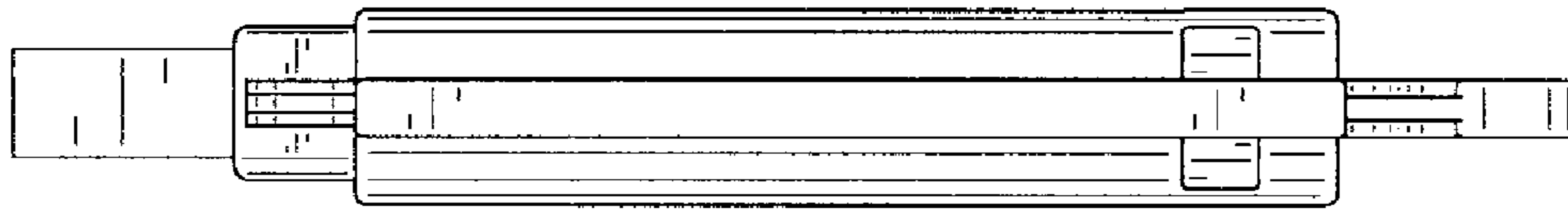


FIG. 9

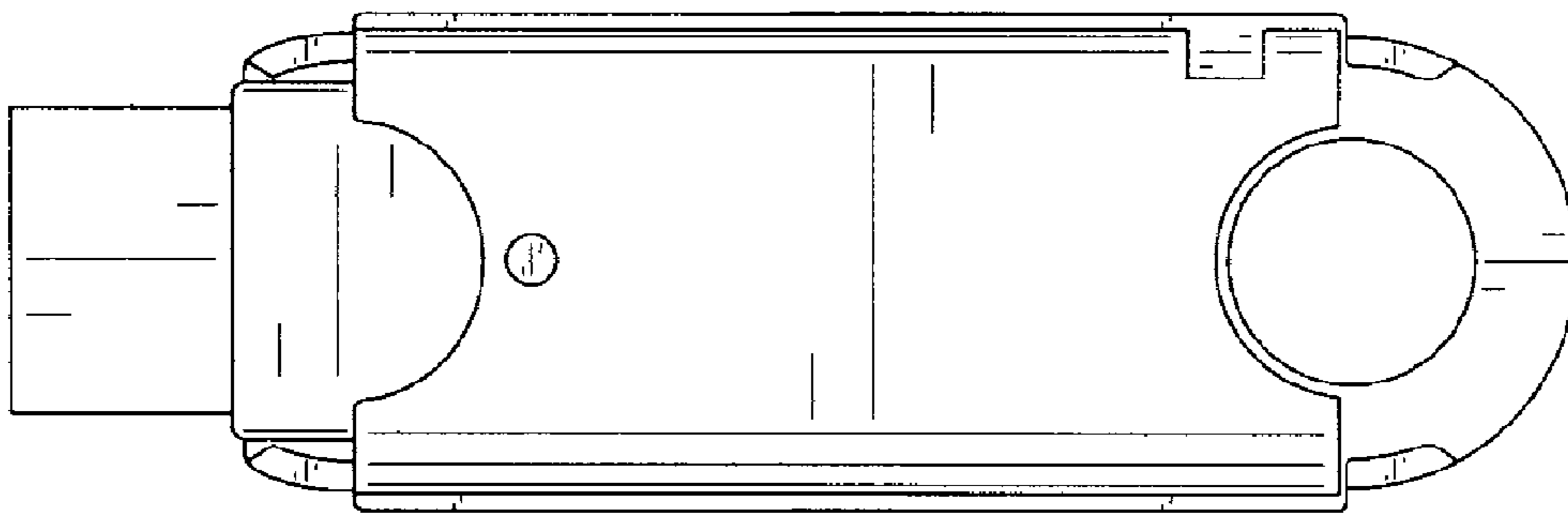


FIG. 10

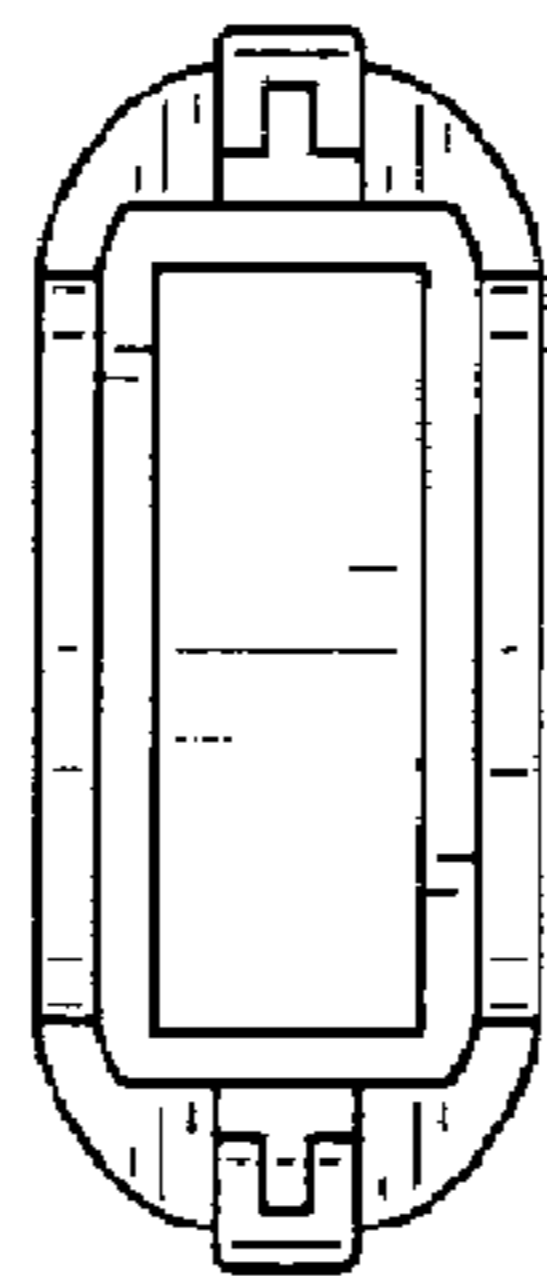


FIG. 11