

US00D554116S

(12) **United States Design Patent** (10) **Patent No.:** **US D554,116 S**  
**Liu et al.** (45) **Date of Patent:** **\*\* Oct. 30, 2007**

(54) **INTERNET TELEPHONE BASE** 6,891,351 B2 \* 5/2005 Chen ..... 320/115  
D505,932 S \* 6/2005 Eckholm et al. .... D14/138  
(75) Inventors: **Calvin Y. Liu**, Irvine, CA (US); D514,079 S \* 1/2006 Lai ..... D14/138  
**Hung-Bing Chen**, Tustin, CA (US) D524,782 S \* 7/2006 Sun et al. .... D14/138  
D525,229 S \* 7/2006 Friesen et al. .... D14/138  
(73) Assignee: **Cisco Technology, Inc.**, San Jose, CA D529,440 S \* 10/2006 Lodato et al. .... D13/108  
(US) D532,005 S \* 11/2006 Leith ..... D14/253  
2004/0180703 A1 \* 9/2004 Kim et al. .... 455/575.1

(\*\*) **Term:** **14 Years**

**FOREIGN PATENT DOCUMENTS**

(21) **Appl. No.:** **29/250,094**

WO DM/062185 \* 12/2002  
WO DM/068112 \* 8/2006

(22) **Filed:** **Nov. 1, 2006**

**OTHER PUBLICATIONS**

(51) **LOC (8) Cl.** ..... **14-03**  
(52) **U.S. Cl.** ..... **D14/253; D13/108**  
(58) **Field of Classification Search** ..... D14/137-138,  
D14/147-148, 156, 218, 247-248, 341-347,  
D14/496, 251-253, 434; D16/208; D21/329,  
D21/331, 333, 517; 348/14.01-14.02; 361/814;  
379/433.01-433.13, 454-455; 455/556.1-566.2,  
455/575.1, 575.3, 575.4, 566, 90.3; 320/114-115  
See application file for complete search history.

“Sharp 550 SH”, 1 p including photo, [online], <URL:http://www.gsmarena.com/sharp\_550sh-1474.php>, announced Feb. 2002, retrieved Feb. 28, 2007.\*

\* cited by examiner

*Primary Examiner*—Charles A. Rademaker  
*Assistant Examiner*—Carla Jobe Wright  
(74) *Attorney, Agent, or Firm*—MacPherson Kwok Chen & Heid LLP; Tom Chen

(56) **References Cited**

(57) **CLAIM**

**U.S. PATENT DOCUMENTS**

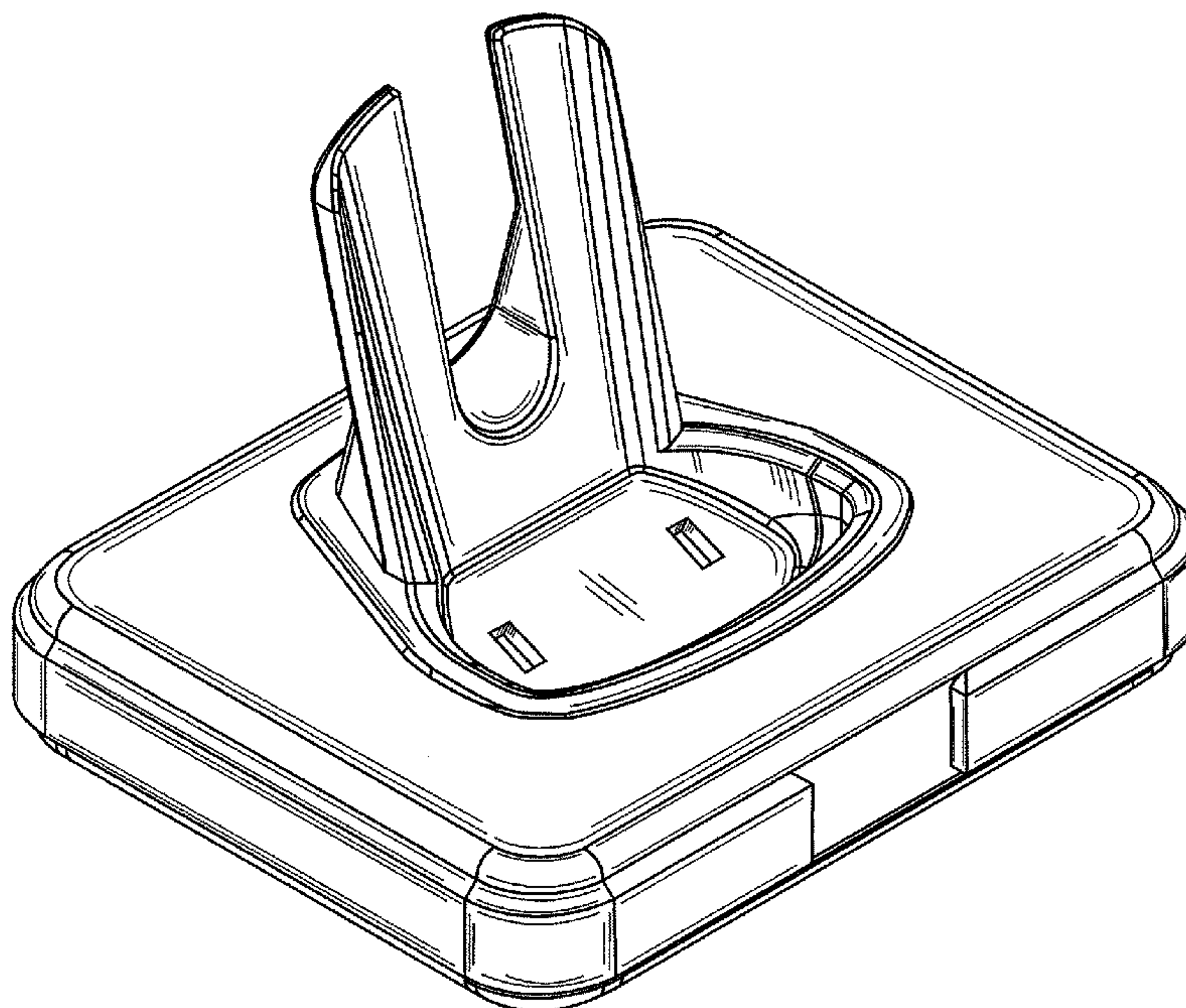
The ornamental design for an internet telephone base, as shown and described.

- D301,456 S \* 6/1989 Siddoway ..... D13/107
- D324,370 S \* 3/1992 Lay et al. .... D13/108
- D327,248 S \* 6/1992 Hotsumi et al. .... D13/108
- D351,132 S \* 10/1994 Brooks et al. .... D13/108
- D354,041 S \* 1/1995 Scheid et al. .... D13/108
- D359,474 S \* 6/1995 Palatov ..... D13/108
- D374,858 S \* 10/1996 Chu ..... D13/108
- D395,280 S \* 6/1998 Phelps ..... D13/108
- D420,989 S \* 2/2000 Sandhu et al. .... D14/447
- D471,906 S \* 3/2003 Salazar et al. .... D14/253
- D477,823 S \* 7/2003 Lavello, Sr. .... D14/253

**DESCRIPTION**

FIG. 1 is a top perspective view of an internet telephone base showing our new design;  
FIG. 2 is a side view thereof; and,  
FIG. 3 is a front view thereof.

**1 Claim, 3 Drawing Sheets**



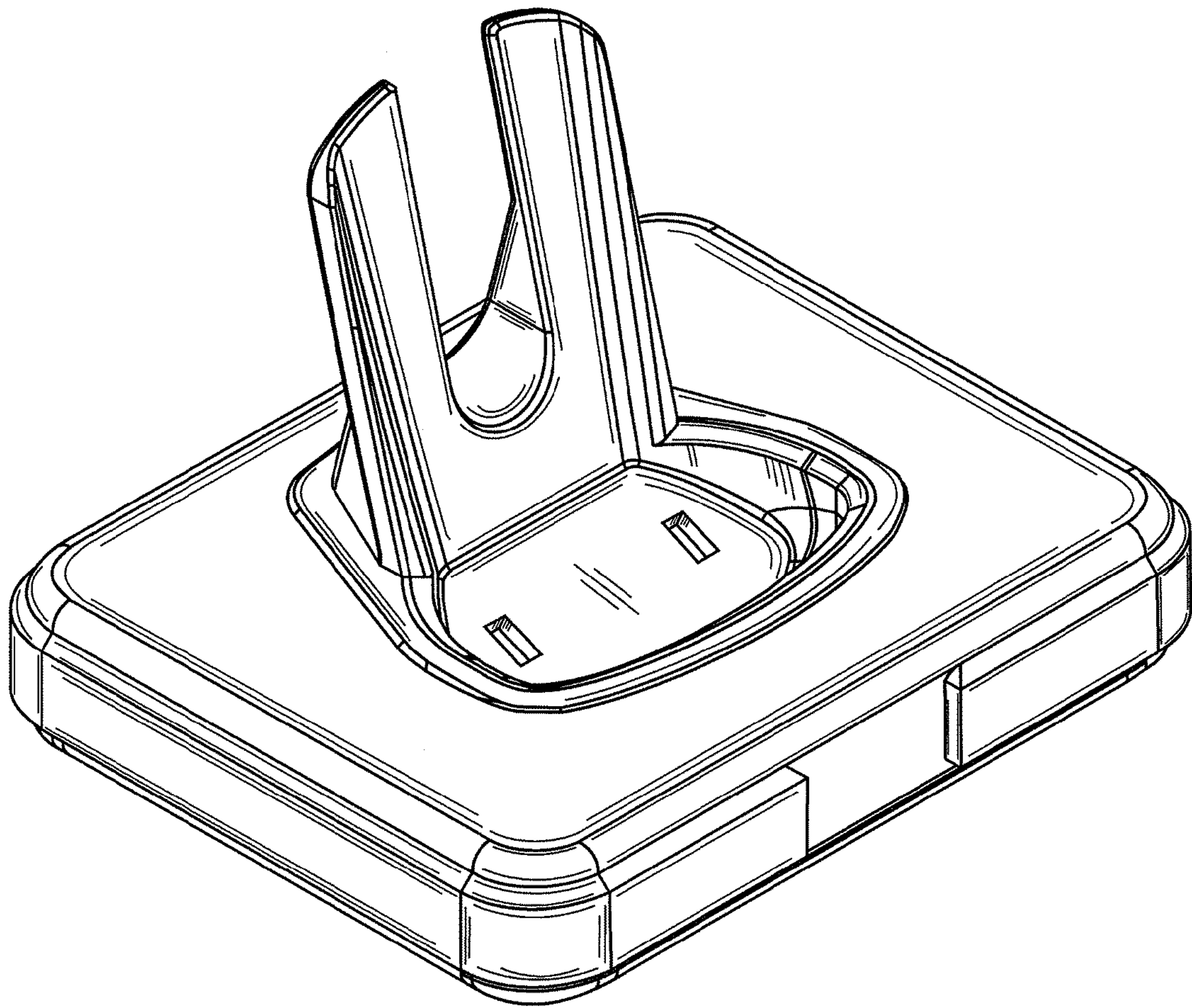


FIG. 1

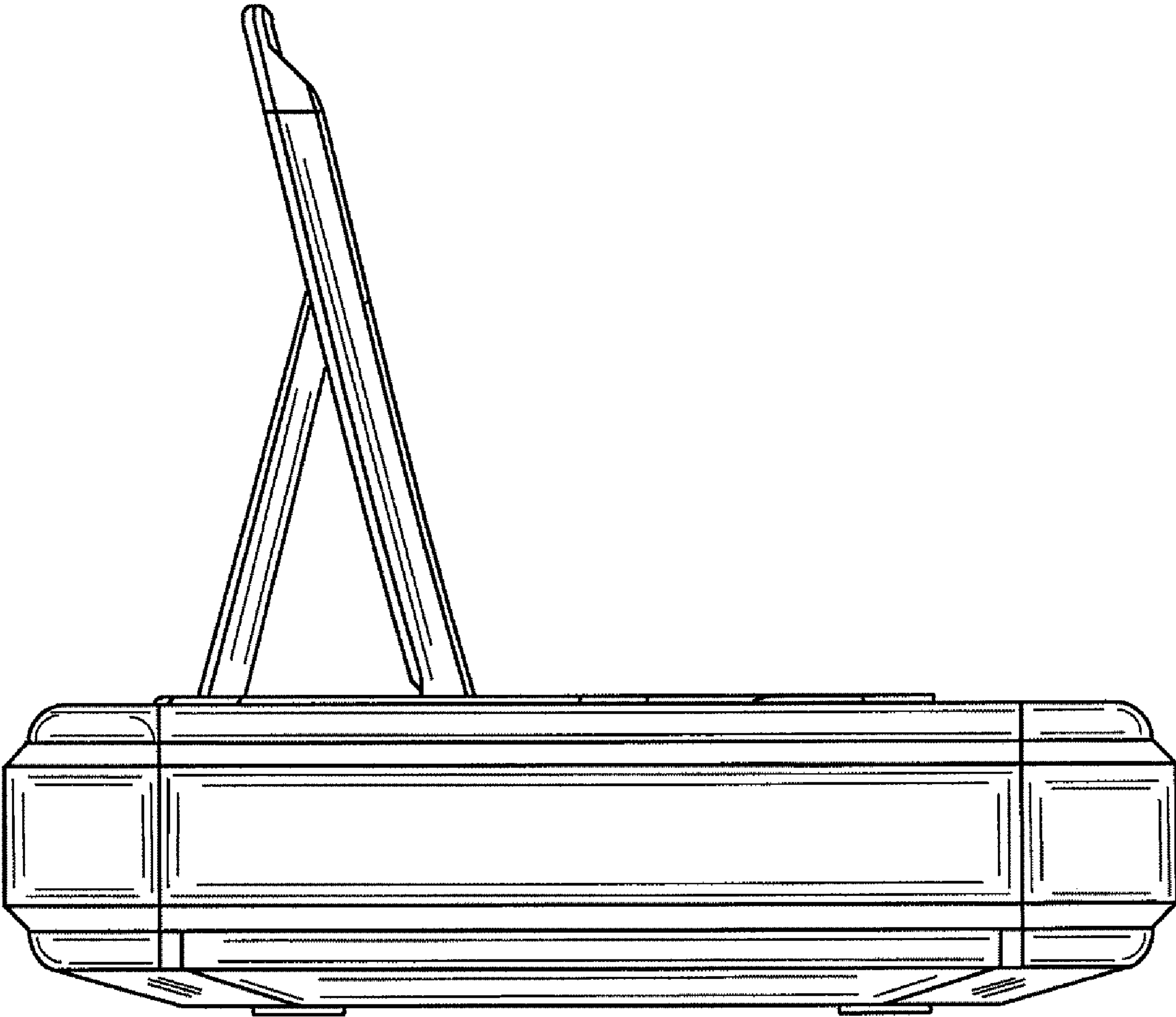


FIG. 2



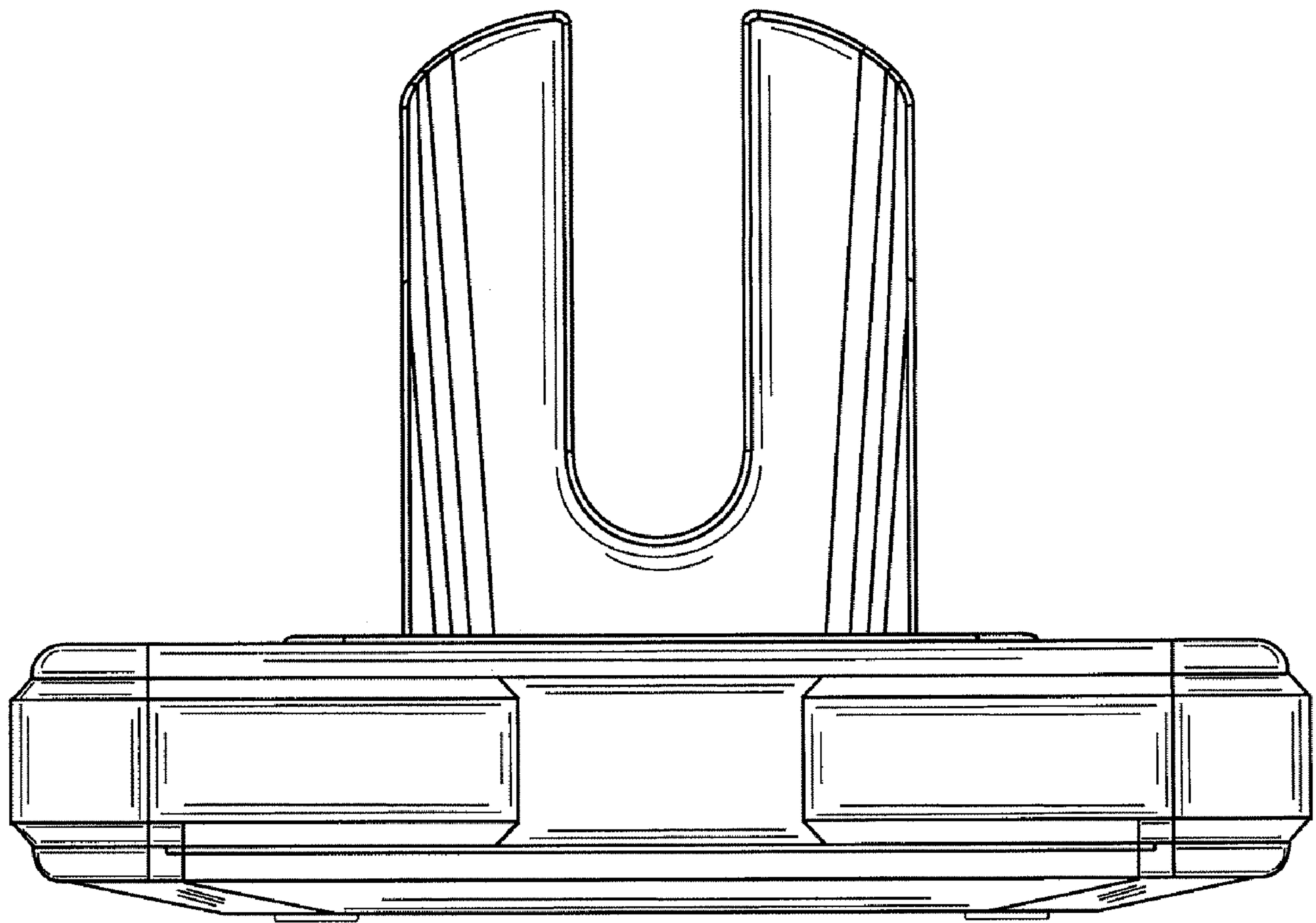


FIG. 3