



US00D554115S

(12) **United States Design Patent**
Liu et al.

(10) **Patent No.:** **US D554,115 S**

(45) **Date of Patent:** **** Oct. 30, 2007**

(54) **DUAL-MODE CORDLESS PHONE BASE**

(75) Inventors: **Calvin Y. Liu**, Irvine, CA (US);
Hung-Bing Chen, Tustin, CA (US)

(73) Assignee: **Cisco Technology, Inc.**, San Jose, CA (US)

(**) Term: **14 Years**

(21) Appl. No.: **29/249,077**

(22) Filed: **Sep. 19, 2006**

(51) **LOC (8) Cl.** **14-03**

(52) **U.S. Cl.** **D14/253; D13/108**

(58) **Field of Classification Search** D14/137-138,
D14/147-148, 156, 218, 247-248, 341-347,
D14/496, 251-253, 434; D16/208; D21/329,
D21/331, 333, 517; 348/14.01-14.02; 361/814;
379/433.01-433.13, 454-455; 455/556.1-556.2,
455/575.1, 575.3, 575.4, 566, 90.3; 320/114-115
See application file for complete search history.

(56) **References Cited**

U.S. PATENT DOCUMENTS

D301,456 S *	6/1989	Siddoway	D13/107
D324,370 S *	3/1992	Lay et al.	D13/108
D327,248 S *	6/1992	Hotsumi et al.	D13/108
D351,132 S *	10/1994	Brooks et al.	D13/108
D354,041 S *	1/1995	Scheid et al.	D13/108
D359,474 S *	6/1995	Palatov	D13/108
D374,858 S *	10/1996	Chu	D13/108
D395,280 S *	6/1998	Phelps	D13/108
D420,989 S *	2/2000	Sandhu et al.	D14/447
D471,906 S *	3/2003	Salazar et al.	D14/253
D477,823 S *	7/2003	Lavello, Sr.	D14/253
6,891,351 B2 *	5/2005	Chen	320/115
D514,079 S *	1/2006	Lai	D14/138
D524,781 S *	7/2006	Lyles	D14/138

D525,229 S *	7/2006	Friesen et al.	D14/138
D529,440 S *	10/2006	Lodato et al.	D13/108
D532,005 S *	11/2006	Leith	D14/253
D532,767 S *	11/2006	Yoshino et al.	D14/138
2004/0180703 A1 *	9/2004	Kim et al.	455/575.1

FOREIGN PATENT DOCUMENTS

WO	DM/062185	*	12/2002
WO	DM/068112	*	8/2006

OTHER PUBLICATIONS

“Sharp 550 SH”, 1 p including photo, [online], <URL:http://www.gsmarena.com/sharp_550sh-1474.php>, announced Feb. 2002, retrieved Feb. 28, 2007.*

* cited by examiner

Primary Examiner—Ian Simmons

Assistant Examiner—Carla Jobe Wright

(74) *Attorney, Agent, or Firm*—MacPherson Kwok Chen & Heid LLP; Tom Chen

(57) **CLAIM**

The ornamental design for a dual-mode cordless phone base, as shown and described.

DESCRIPTION

FIG. 1 is a top perspective view of a dual-mode cordless phone base showing our new design;

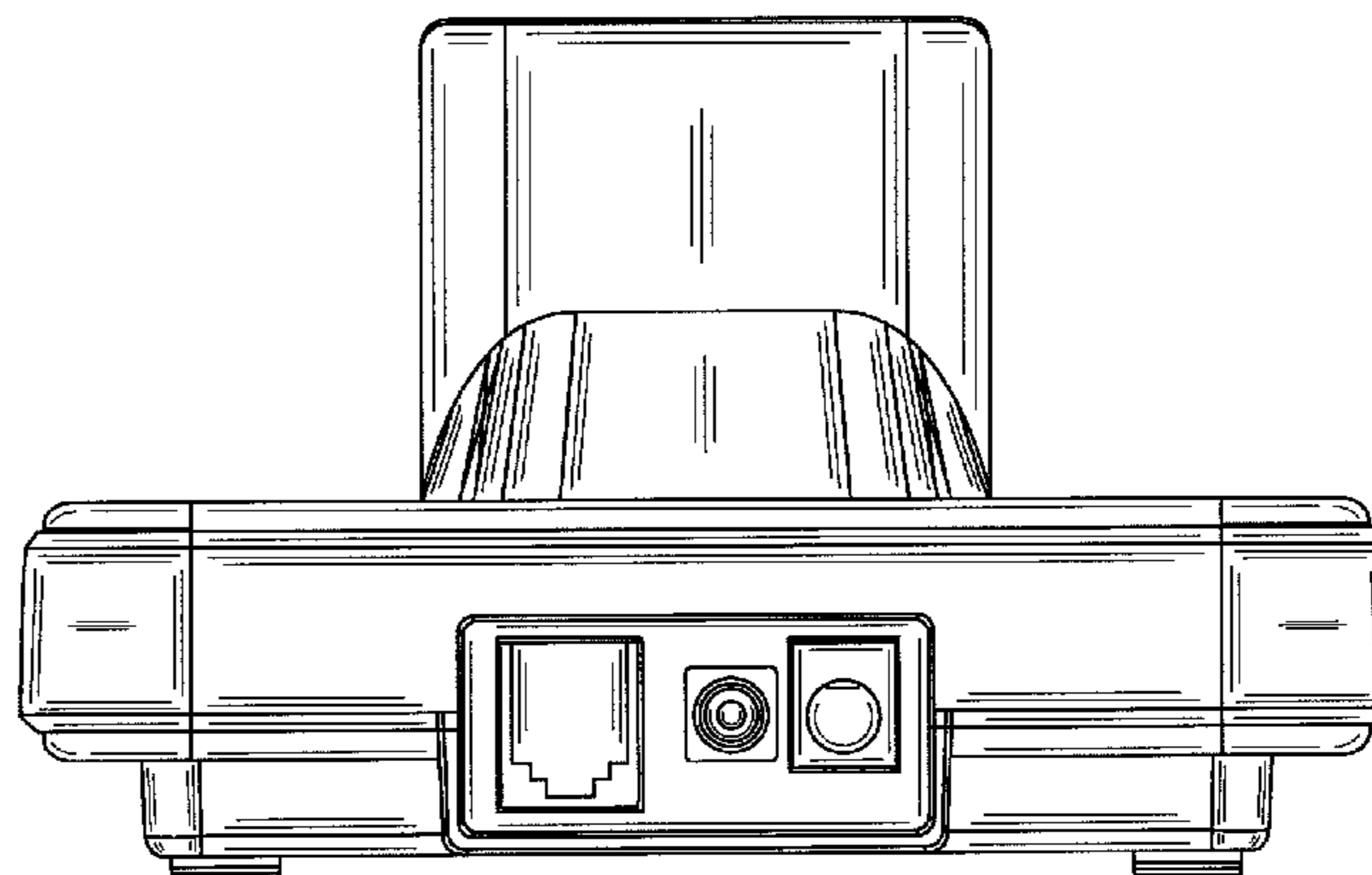
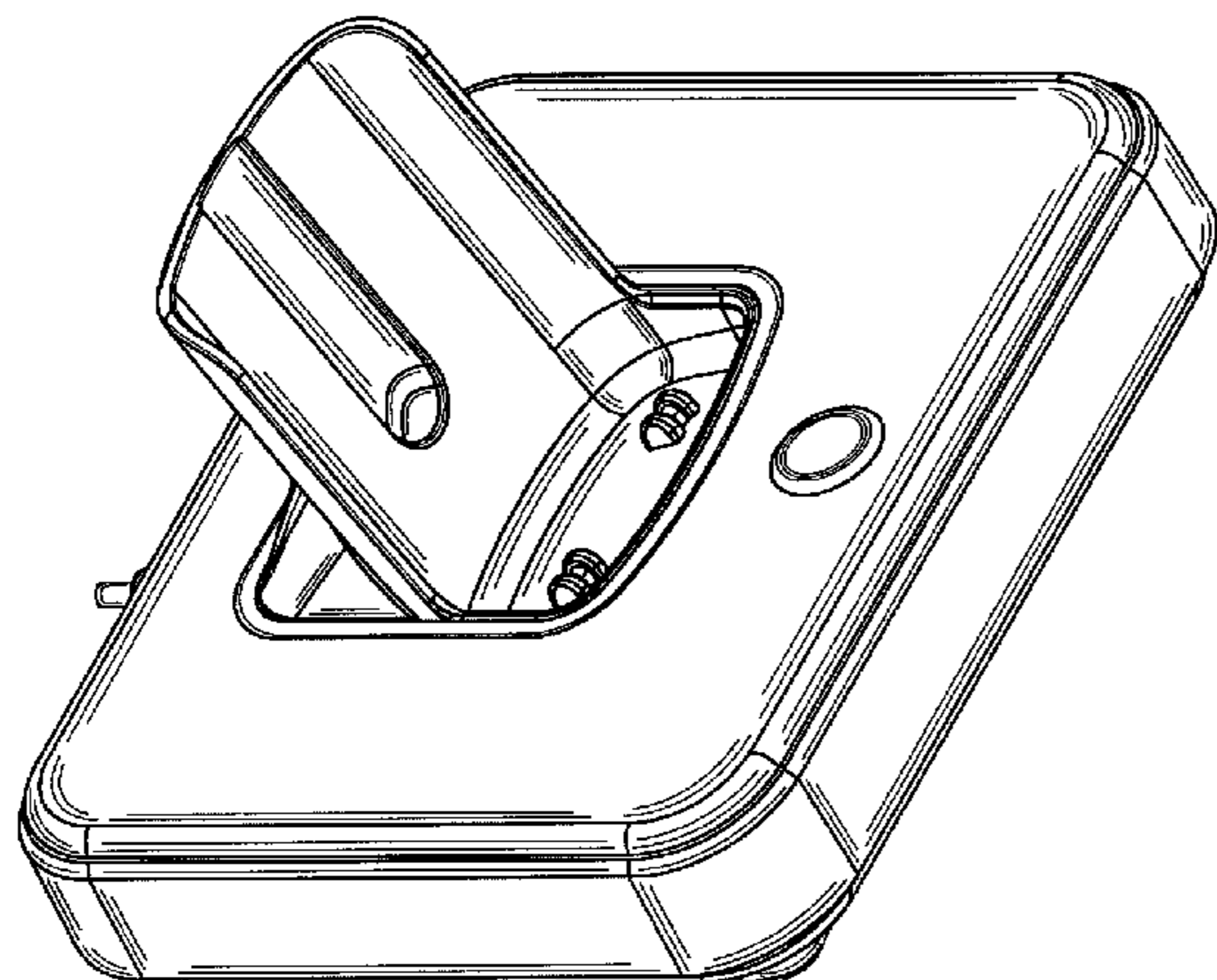
FIG. 2 is a side view thereof;

FIG. 3 is a front view thereof; and,

FIG. 4 is a back view thereof.

The broken line showing of environment in the drawings is for illustrative purposes only and forms no part of the claimed design.

1 Claim, 4 Drawing Sheets



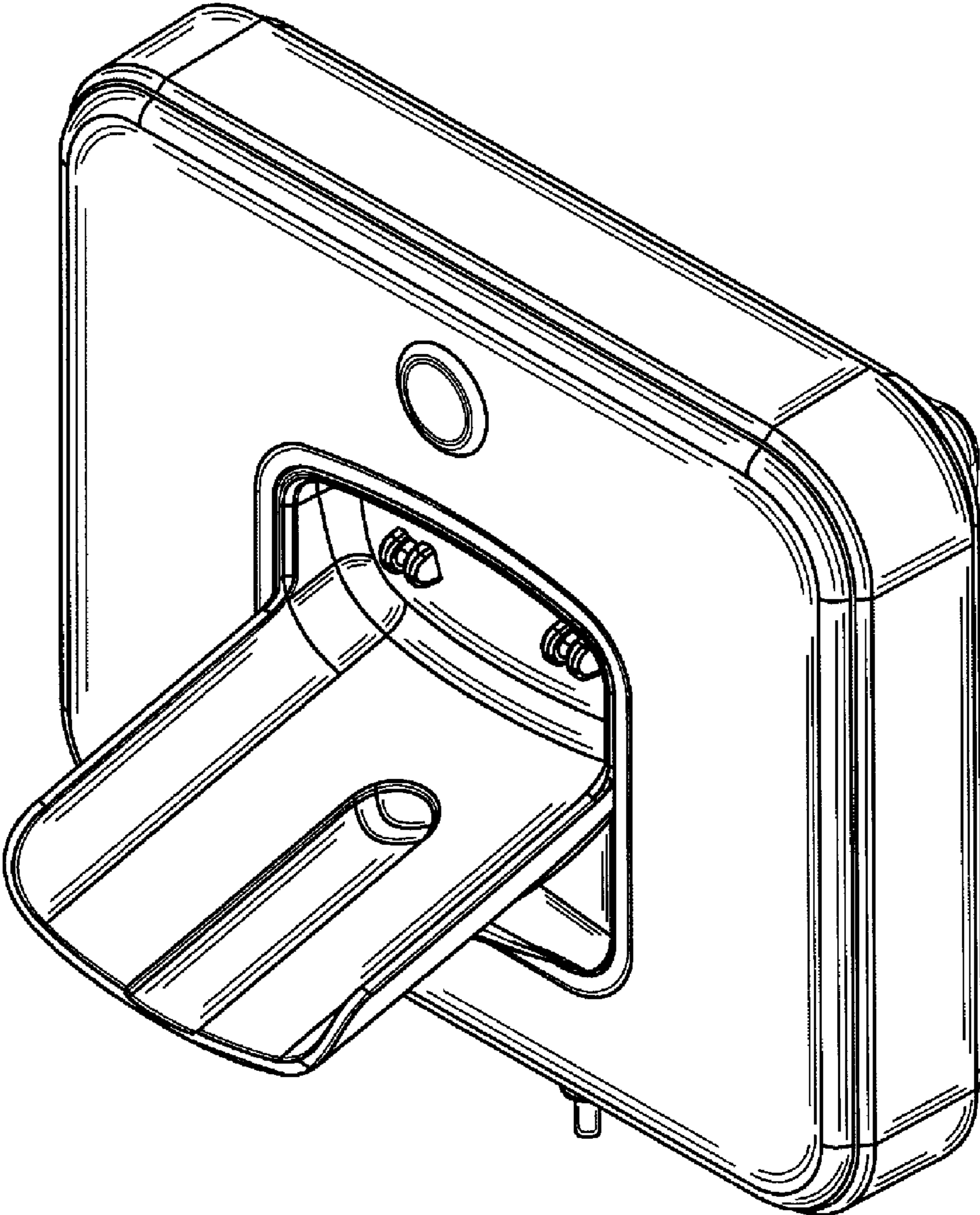


FIG. 1

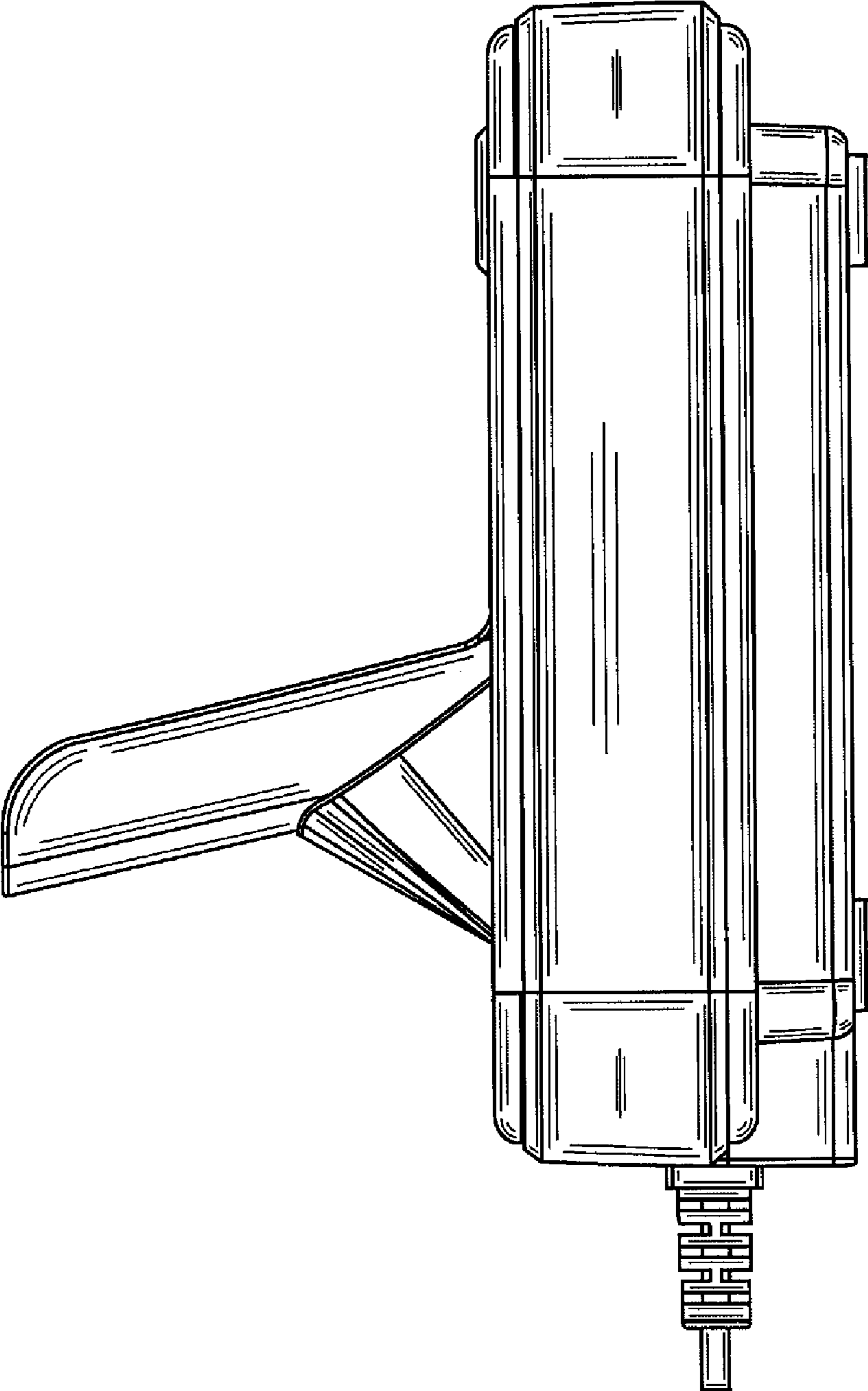


FIG. 2

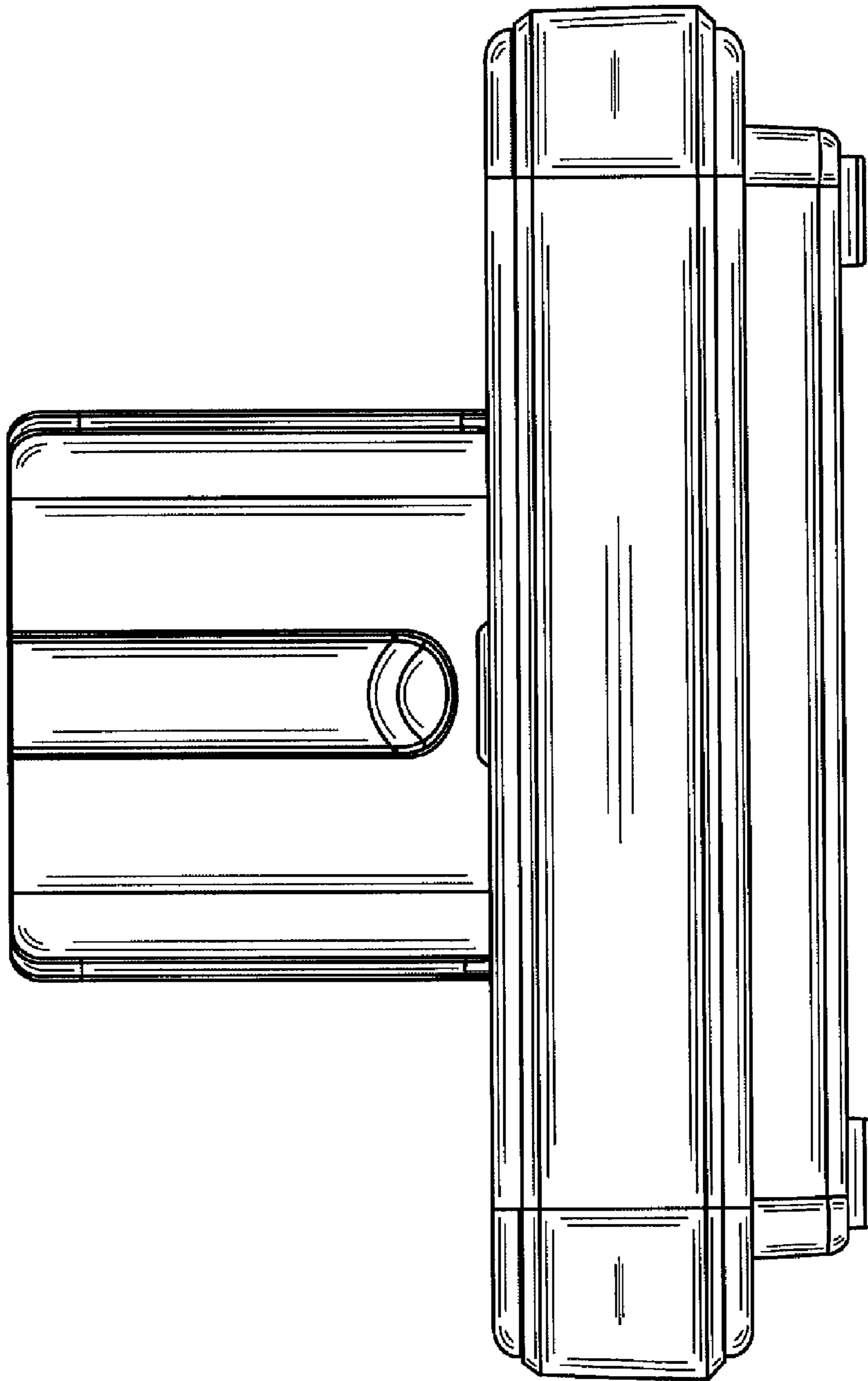


FIG. 3

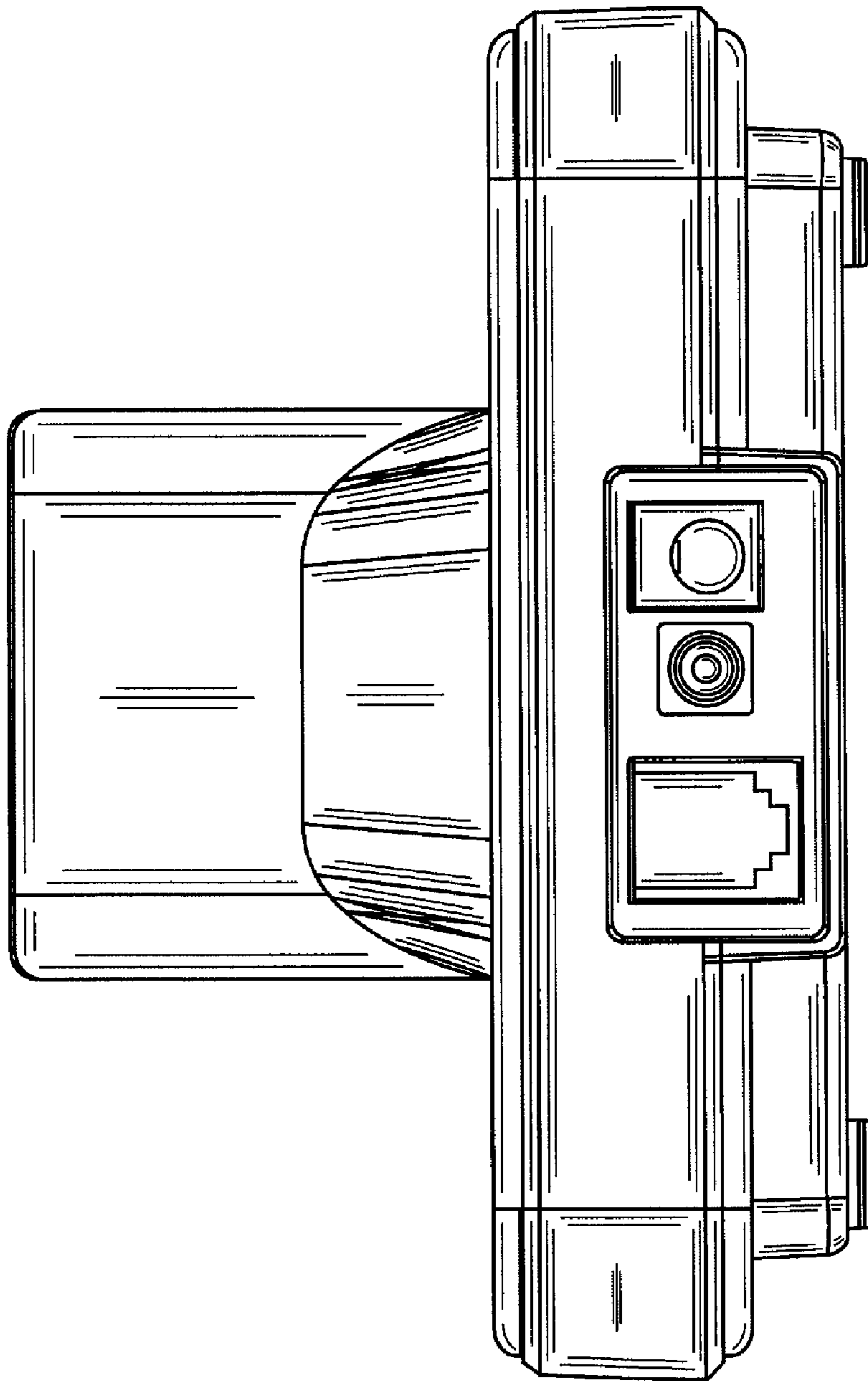


FIG. 4