



US00D554114S

(12) **United States Design Patent**
Bonaventura

(10) **Patent No.:** **US D554,114 S**

(45) **Date of Patent:** **** Oct. 30, 2007**

(54) **PHONE STAND**

D470,533 S * 2/2003 Stravitz D19/87
D478,632 S * 8/2003 Chen D19/87

(75) Inventor: **Gina Bonaventura**, Indianapolis, IN
(US)

* cited by examiner

(73) Assignee: **Deflecto Corporation**, Fishers, IN (US)

Primary Examiner—Terry A Wallace
(74) *Attorney, Agent, or Firm*—Sonnenschein Nath &
Rosenthal LLP; Brian R. McGinley

(**) Term: **14 Years**

(21) Appl. No.: **29/247,602**

(57) **CLAIM**

(22) Filed: **Jun. 28, 2006**

The ornamental design for a phone stand, as shown and described.

(51) **LOC (8) Cl.** **14-03**

(52) **U.S. Cl.** **D14/252; D19/87**

(58) **Field of Classification Search** D14/251–254,
D14/447; D19/78, 86, 87, 90, 91; D6/419,
D6/420, 406.1–406.6, 449; 211/10, 11, 49,
211/50, 126.13, 126.16; 312/223.4, 330.1;
248/676, 694, 917, 923, 463; 379/435, 436,
379/454

DESCRIPTION

See application file for complete search history.

FIG. 1 is a perspective view of a phone stand showing the new design;

FIG. 2 is a front view of the phone stand shown in FIG. 1;

FIG. 3 is a left side elevational view of the phone stand shown in FIG. 1

FIG. 4 is a rear view of the phone stand shown in FIG. 1;

FIG. 5 is a right side elevational view of the phone stand shown in FIG. 1;

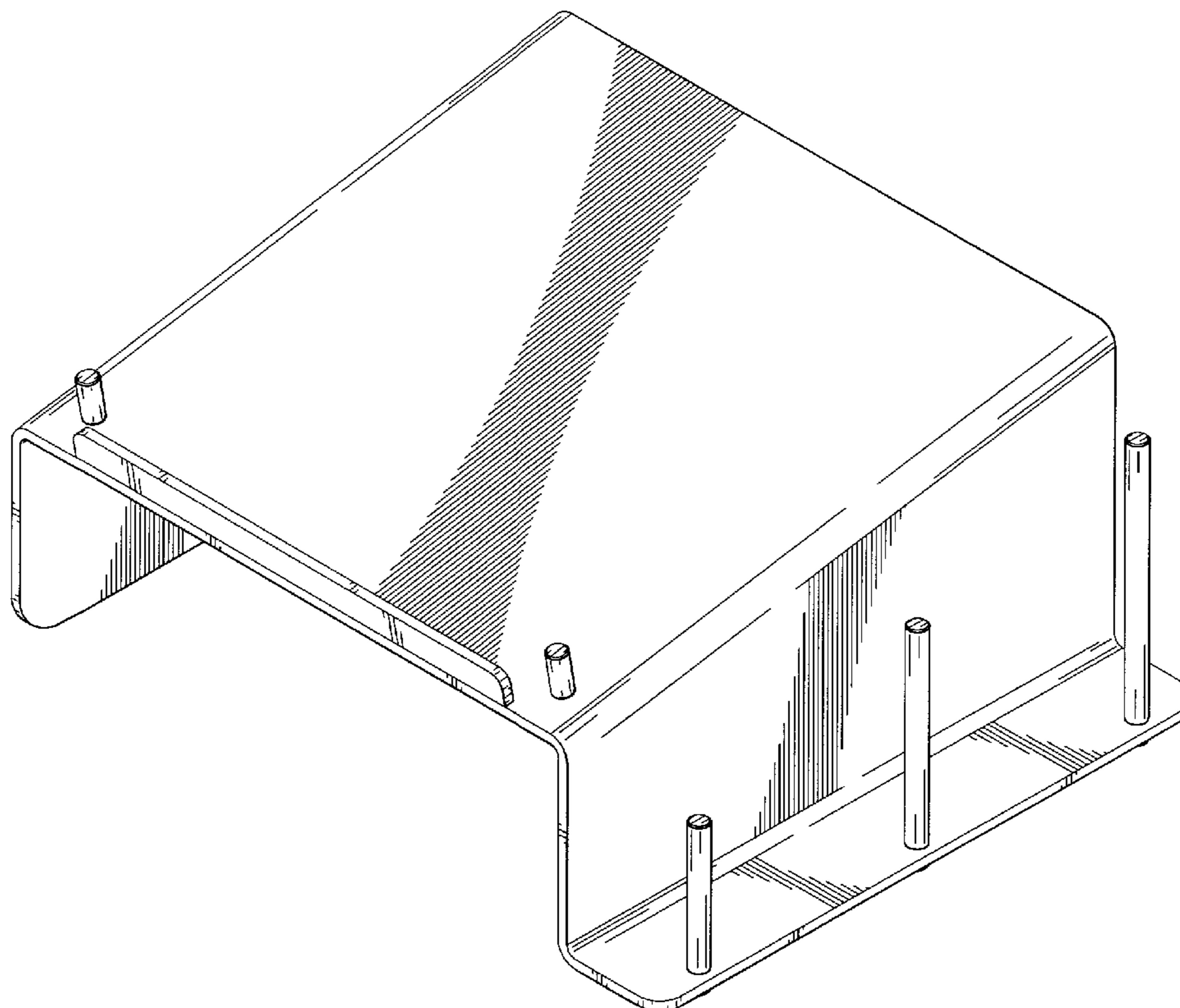
FIG. 6 is a top view of the phone stand shown in FIG. 1; and,
FIG. 7 is a bottom view of the phone stand shown in FIG. 1.

(56) **References Cited**

U.S. PATENT DOCUMENTS

4,182,938 A * 1/1980 Neumeier 379/454
D281,842 S * 12/1985 Blocklinger D6/419
4,830,328 A * 5/1989 Takach et al. 248/676
4,844,264 A * 7/1989 Deskiewicz, Jr. 211/50
5,761,297 A * 6/1998 Kingsbury et al. 379/436

1 Claim, 7 Drawing Sheets



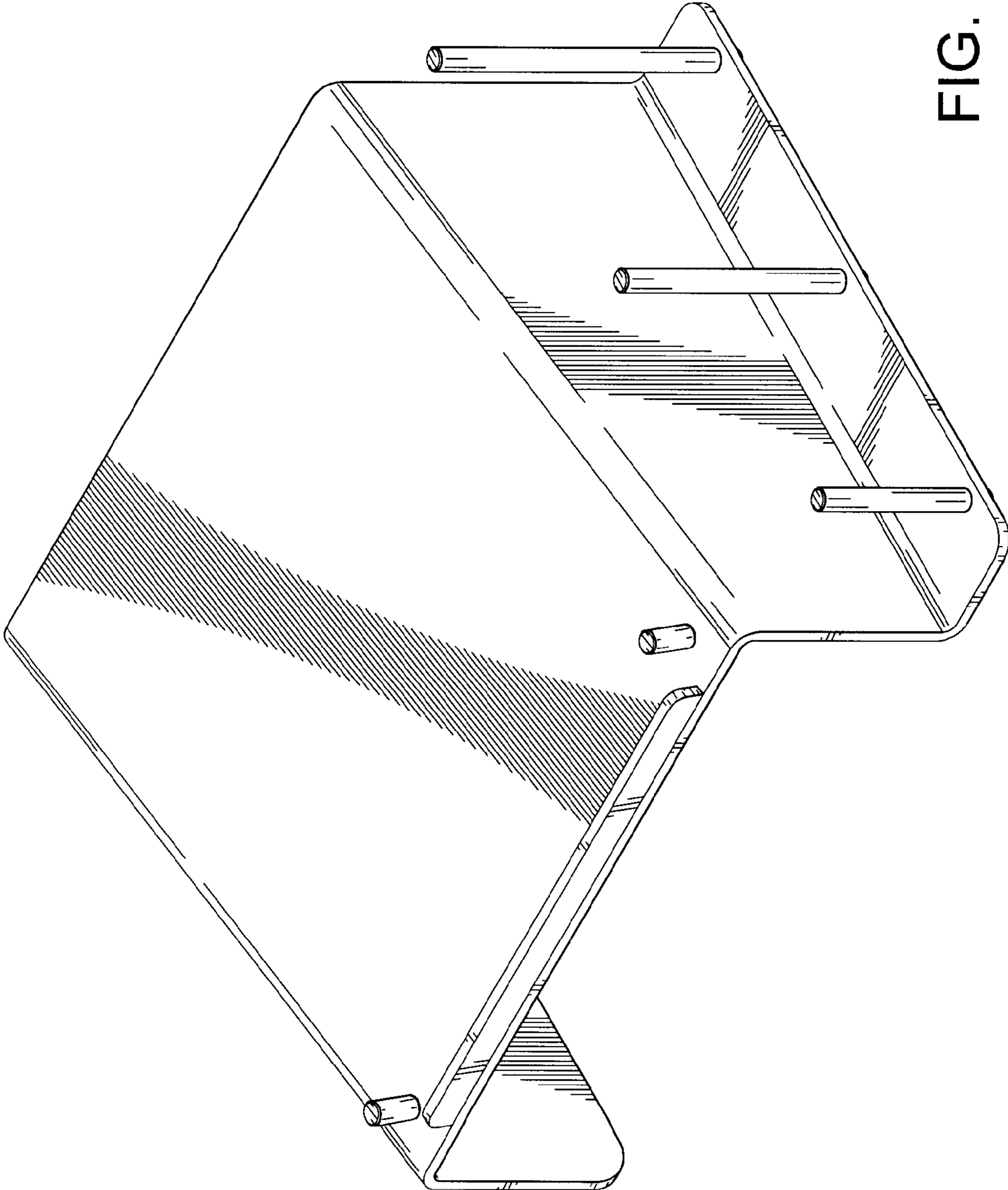


FIG. 1

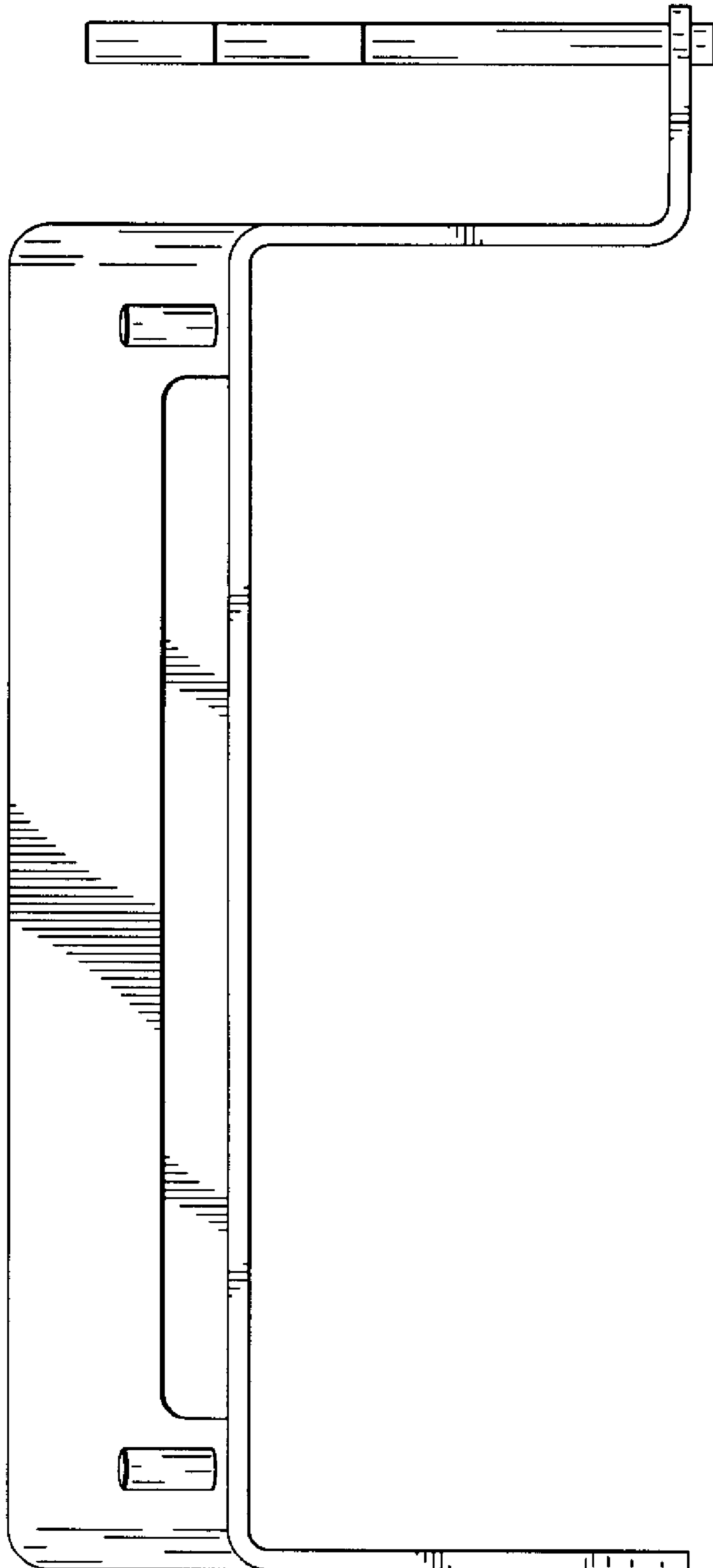


FIG. 2

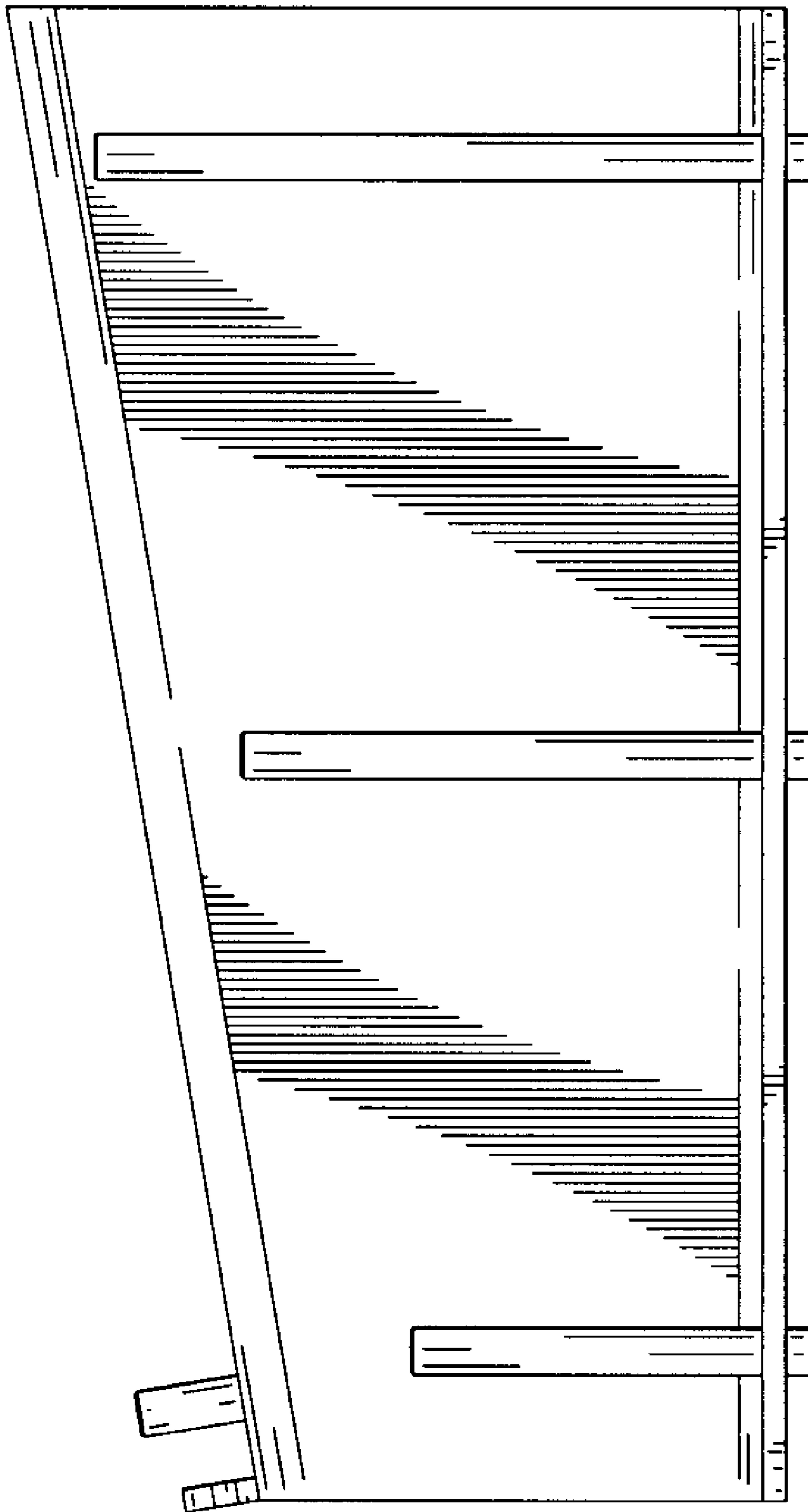


FIG. 3

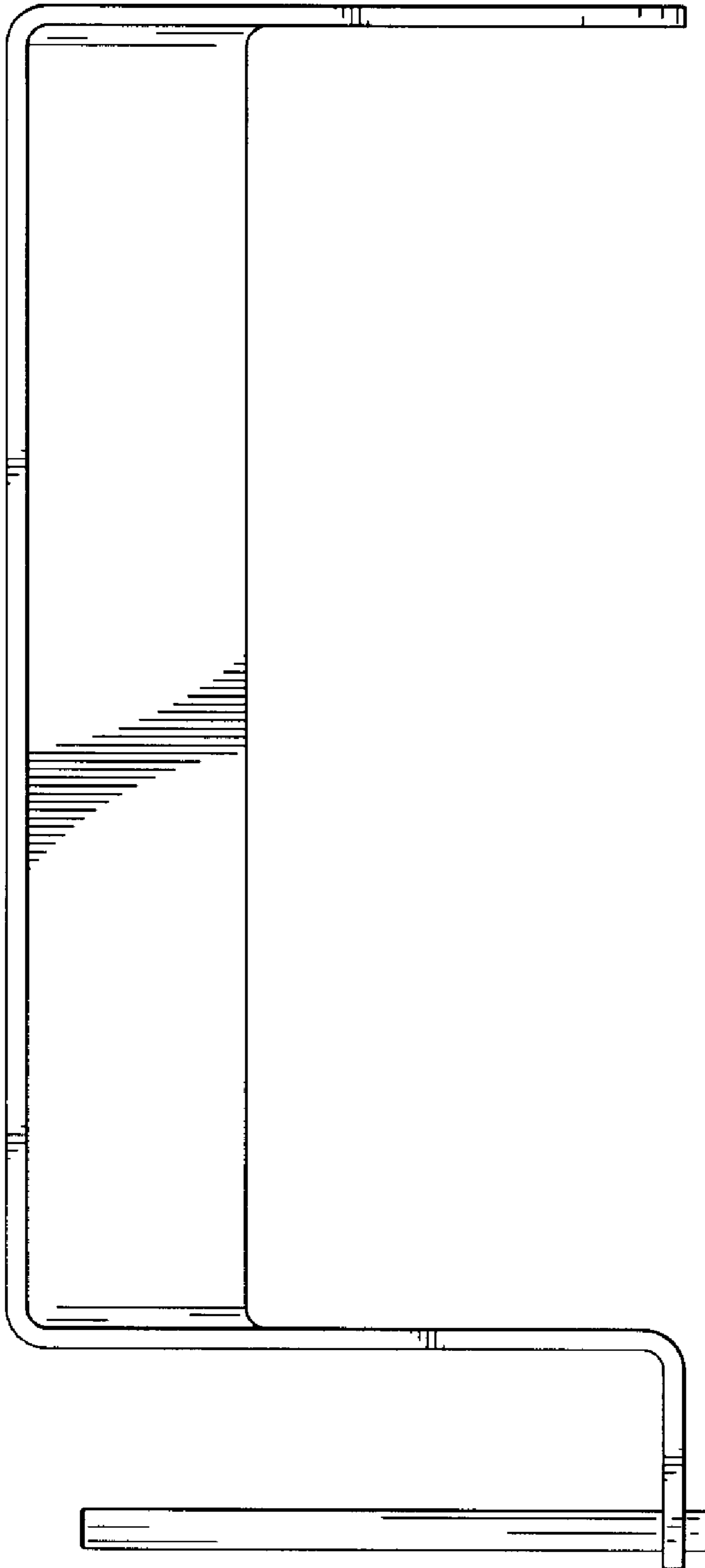


FIG. 4

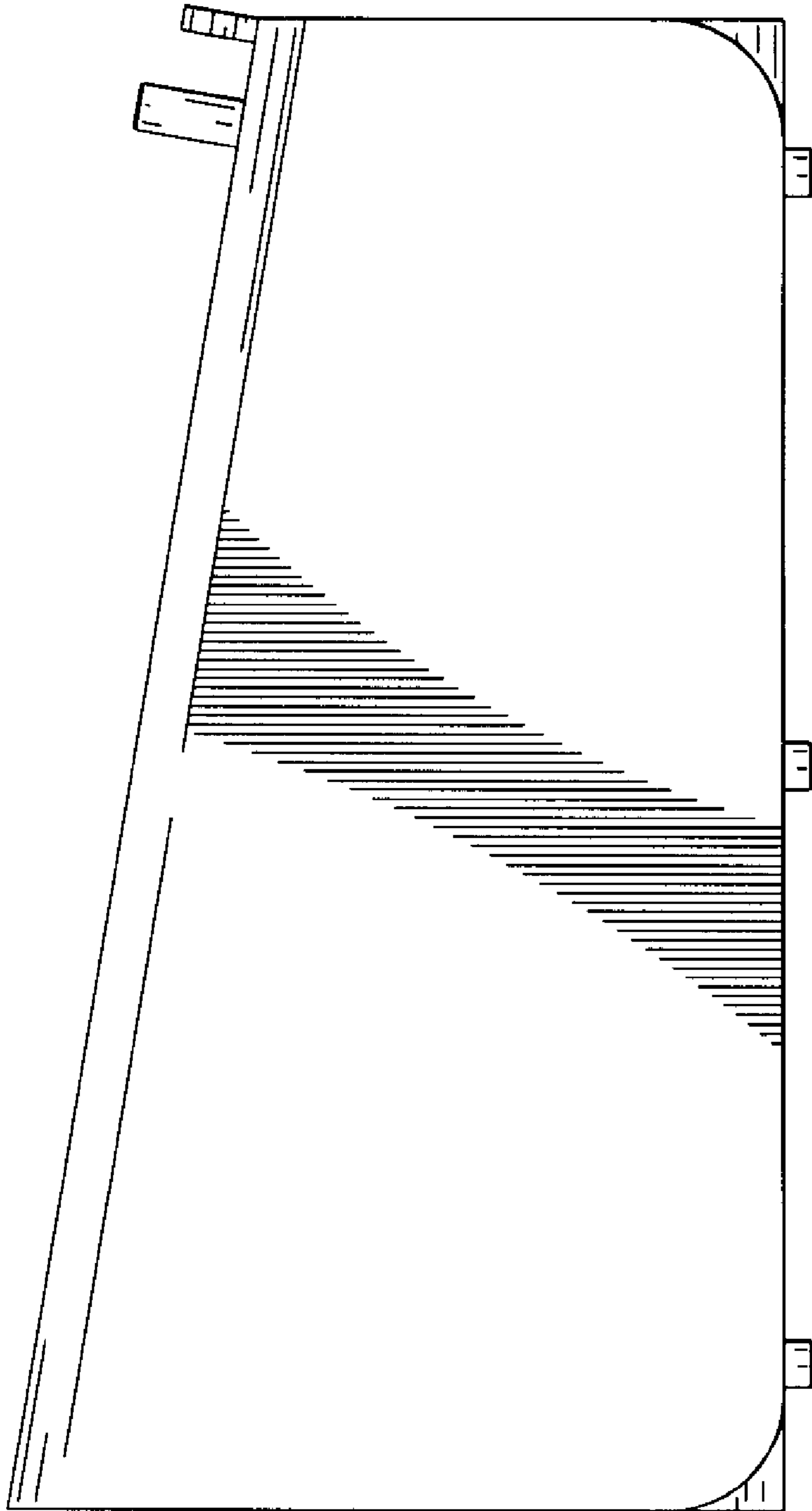


FIG. 5

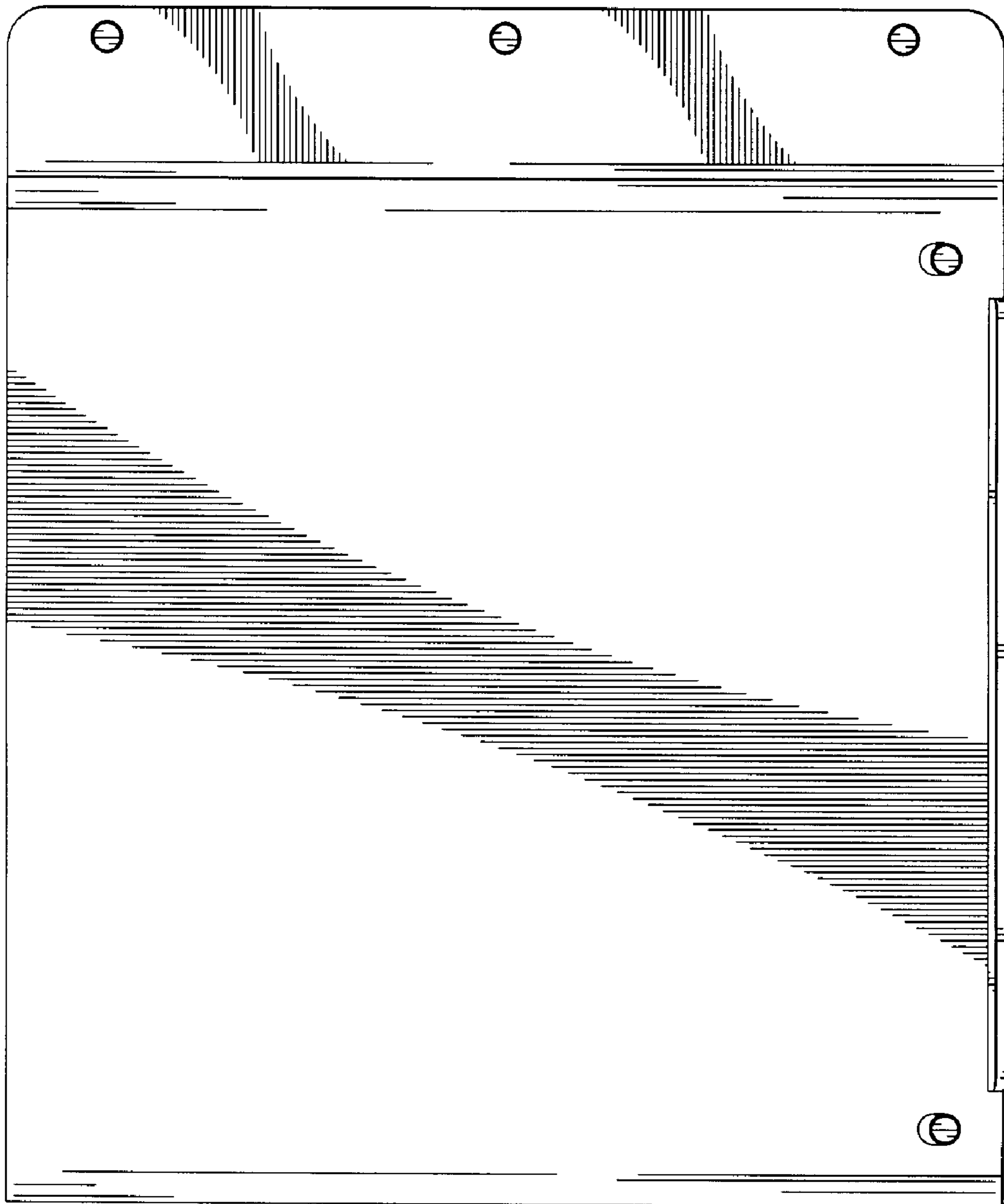


FIG. 6

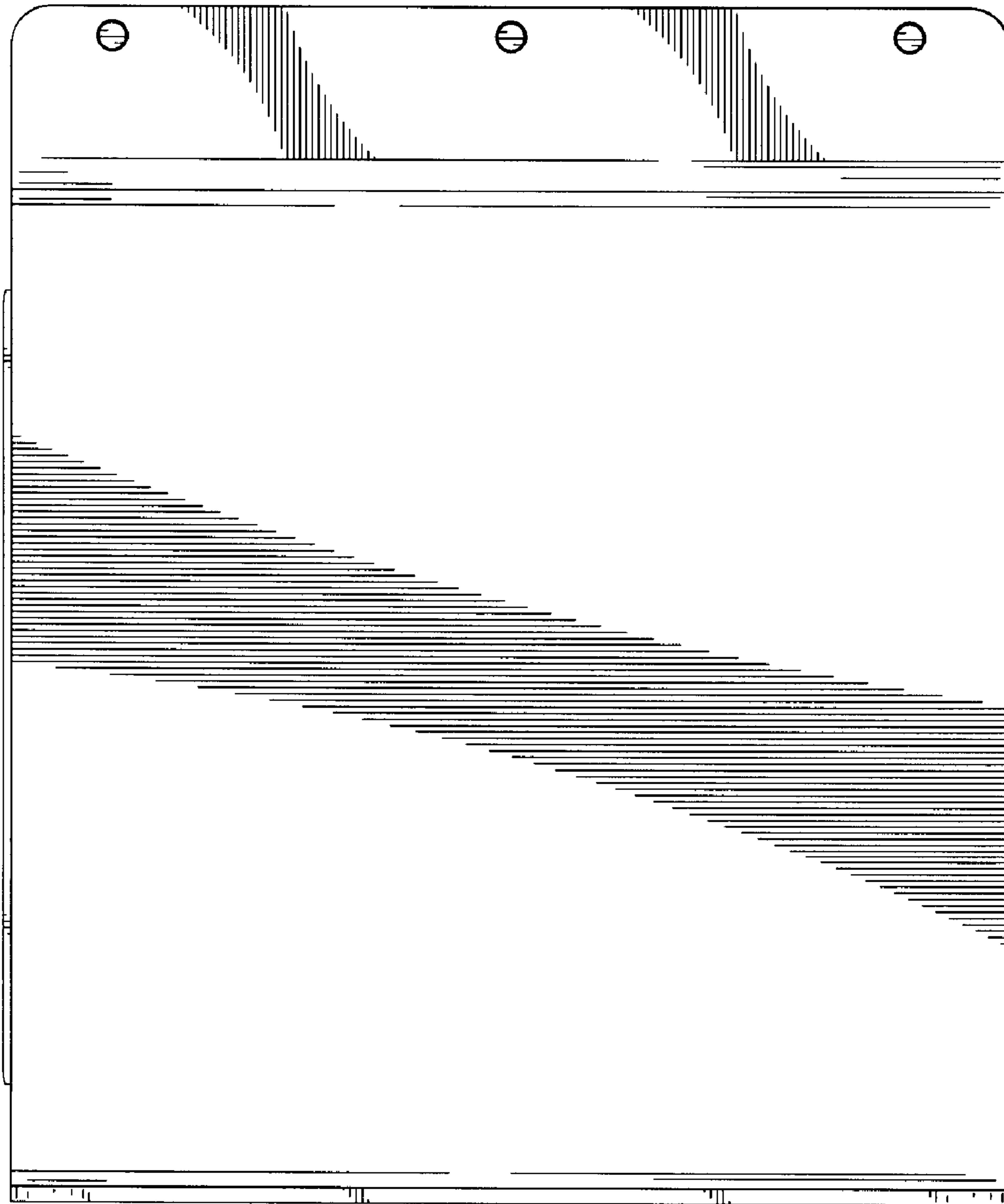


FIG. 7