



US00D554112S

(12) **United States Design Patent**
Brisben et al.

(10) **Patent No.:** **US D554,112 S**

(45) **Date of Patent:** **** Oct. 30, 2007**

(54) **COMMUNICATION INTERFACE**

(75) Inventors: **Amy J. Brisben**, Baltimore, MD (US);
James Drane, College Park, MD (US);
Corinna E. Lathan, Wheaton, MD
(US); **Judd Nathanson**, Yonkers, NY
(US); **Matthew E. Petterson**, Berwyn
Heights, MD (US); **Joli K. Rightmyer**,
Arlington, VA (US); **Charlotte Safos**,
Alexandria, VA (US); **Jack M. Vice**,
Washington, DC (US)

(73) Assignee: **Anthrotronix, Inc.**, Silver Spring, MD
(US)

(**) Term: **14 Years**

(21) Appl. No.: **29/240,197**

(22) Filed: **Oct. 11, 2005**

(51) **LOC (8) Cl.** **14-02**

(52) **U.S. Cl.** **D14/240**

(58) **Field of Classification Search** D14/240,
D14/242, 300, 348, 356, 233, 167, 155; D13/184,
D13/199; 360/69; 379/220.01, 221.09,
379/220.14, 25, 93.09, 93.15, 156, 900, 338,
379/339; 381/124; 455/567, 550.1

See application file for complete search history.

(56) **References Cited**

U.S. PATENT DOCUMENTS

D368,721 S *	4/1996	Howell et al.	D14/240
D448,365 S *	9/2001	Kerestegian et al.	D14/240
D463,410 S *	9/2002	Strand et al.	D14/240
D473,546 S *	4/2003	Hovanky et al.	D14/240
D478,069 S *	8/2003	Beck et al.	D14/240
D496,031 S *	9/2004	Ma et al.	D14/240
D520,991 S *	5/2006	Ma et al.	D14/240

D525,962 S *	8/2006	Elson	D14/240
D530,325 S *	10/2006	Kerila et al.	D14/356
2004/0224717 A1 *	11/2004	Hertzberg et al.	455/550.1

* cited by examiner

Primary Examiner—Charles A. Rademaker
(74) *Attorney, Agent, or Firm*—Lieberman & Brandsdorfer,
LLC

(57) **CLAIM**

The ornamental design for a communication interface, as
shown and described.

DESCRIPTION

FIG. 1 is a top perspective view of a communication
interface showing our new design;

FIG. 2 is a top plan view thereof;

FIG. 3 is a front elevation thereof;

FIG. 4 is a rear elevation thereof;

FIG. 5 is a left side elevation thereof;

FIG. 6 is a bottom plan thereof;

FIG. 7 is a top perspective view of a modified embodiment
of the design shown in FIGS. 1 through 6;

FIG. 8 is a top plan view thereof;

FIG. 9 is a front elevation thereof;

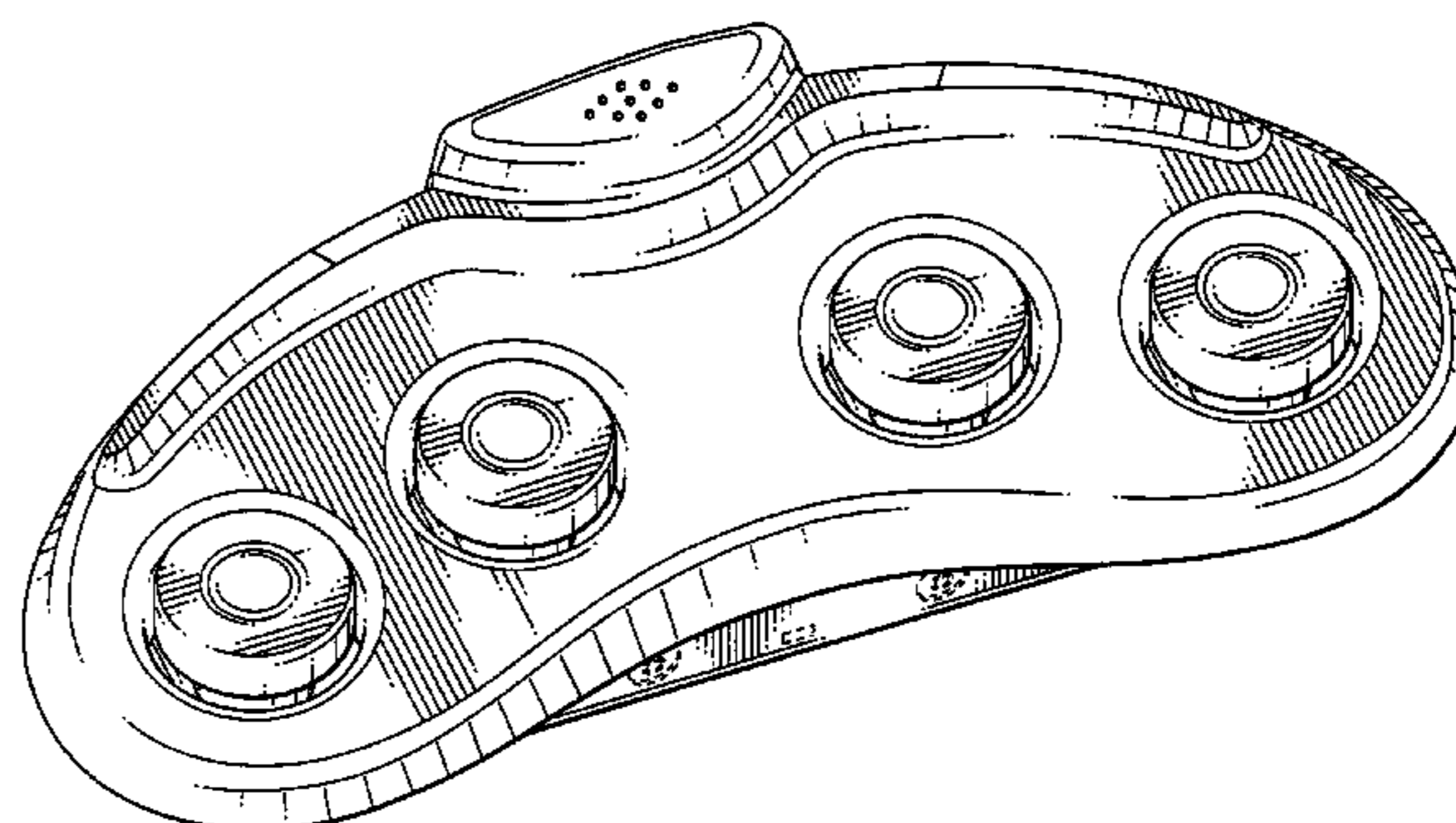
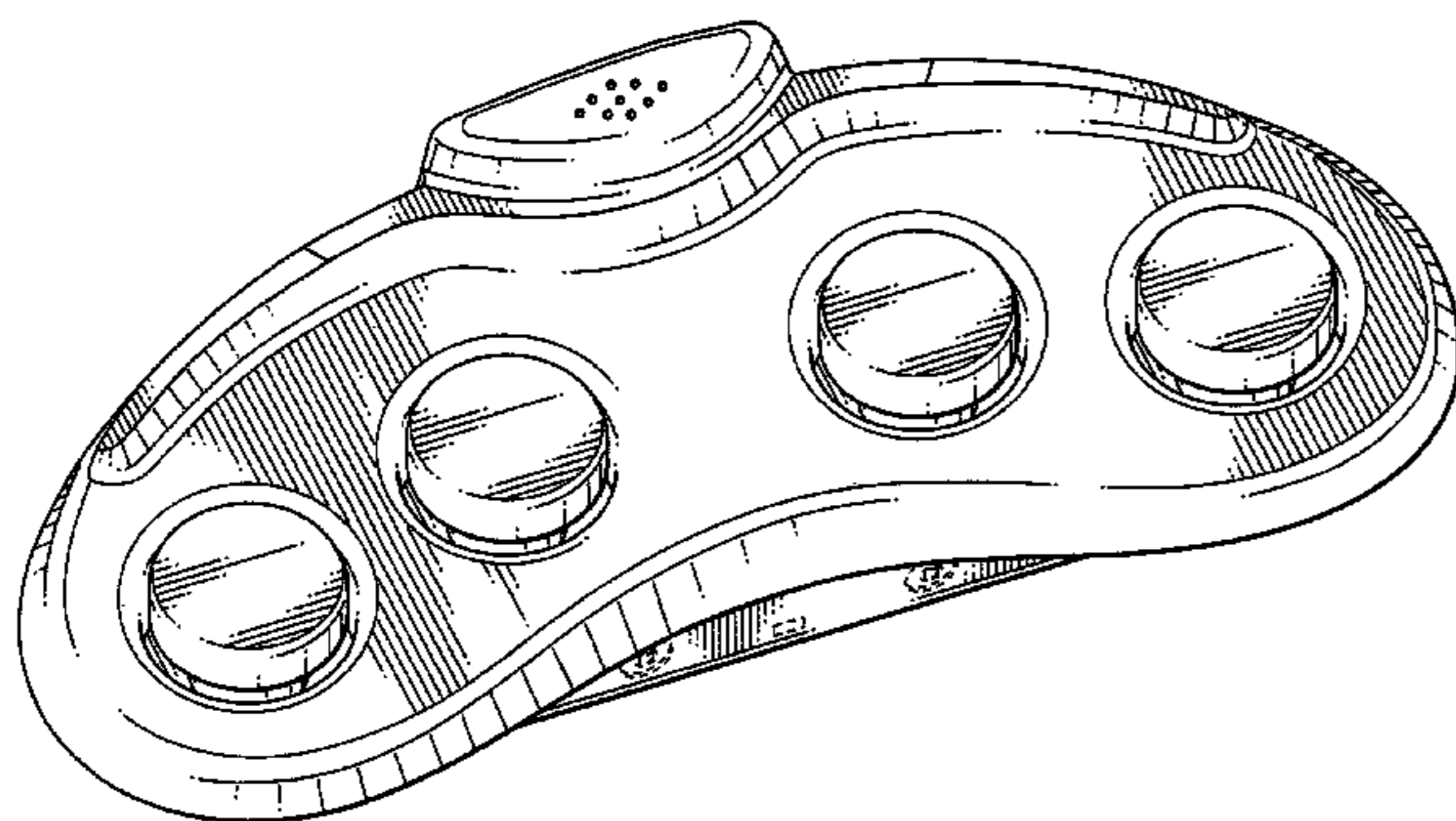
FIG. 10 is a rear elevation thereof;

FIG. 11 is a left side elevation thereof; and,

FIG. 12 is a bottom plan thereof.

The broken lines shown in the figure drawings are included
for the purpose of illustrating environmental structure and
form no part of the claimed design.

1 Claim, 8 Drawing Sheets



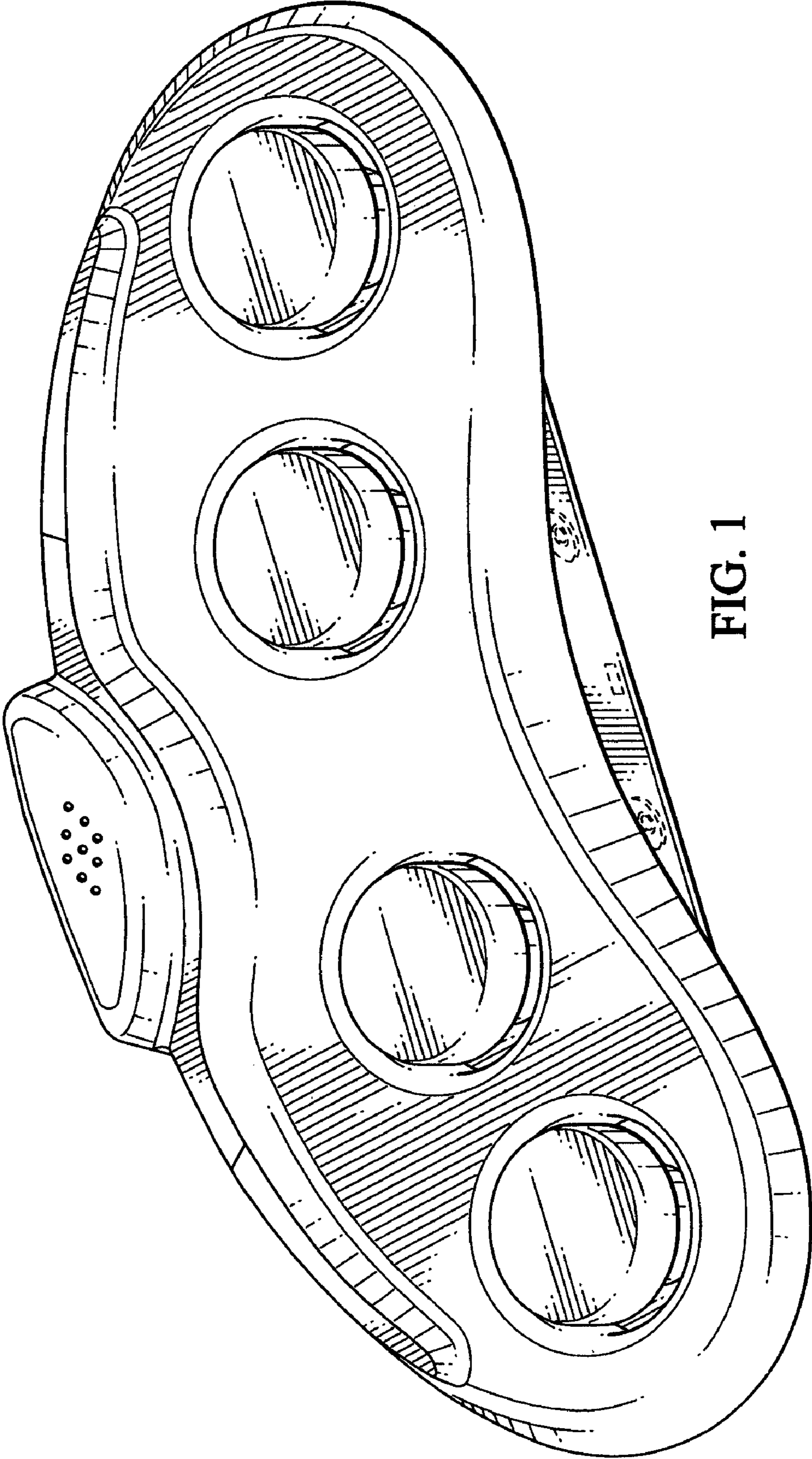


FIG. 1

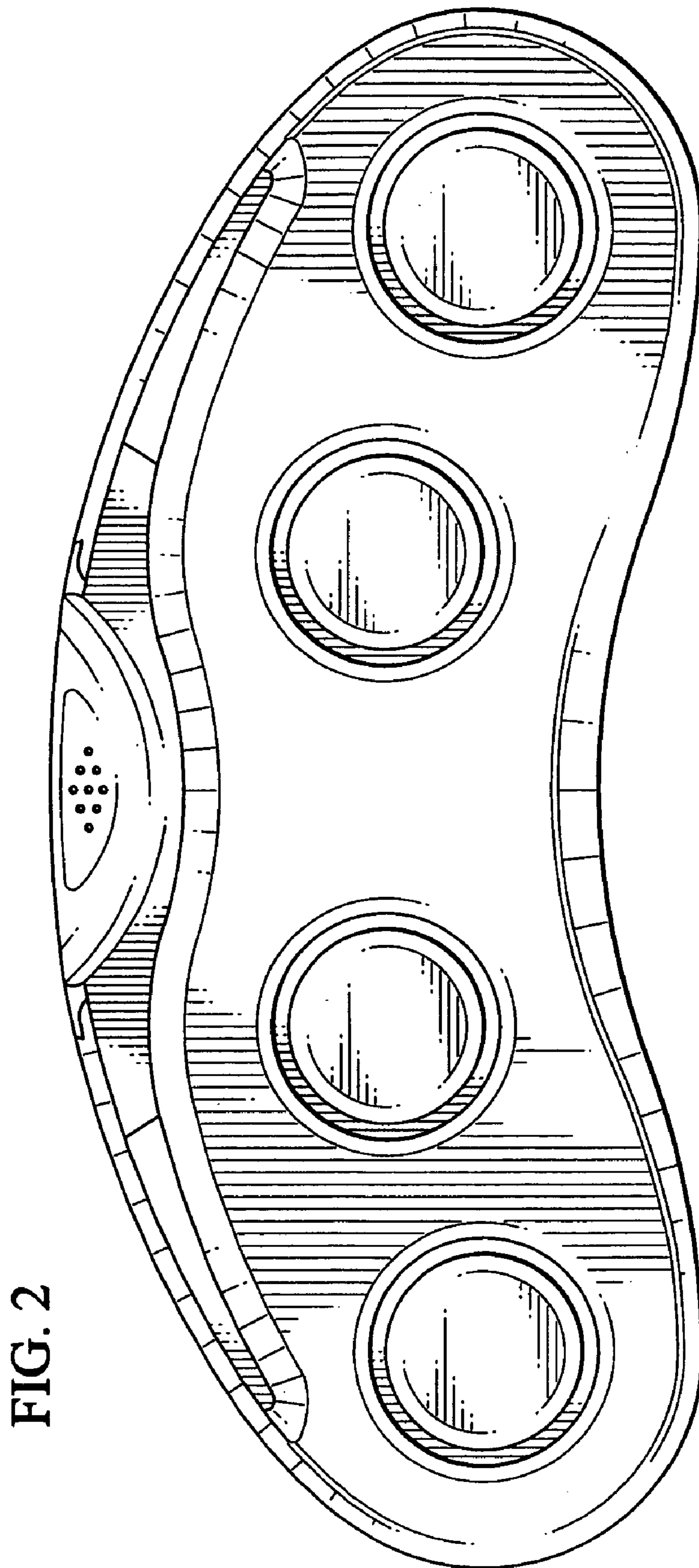


FIG. 2

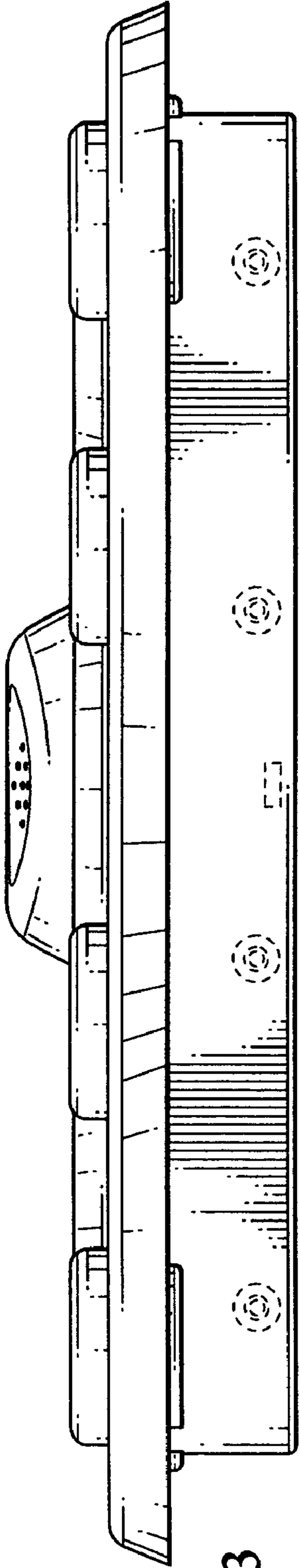


FIG. 3

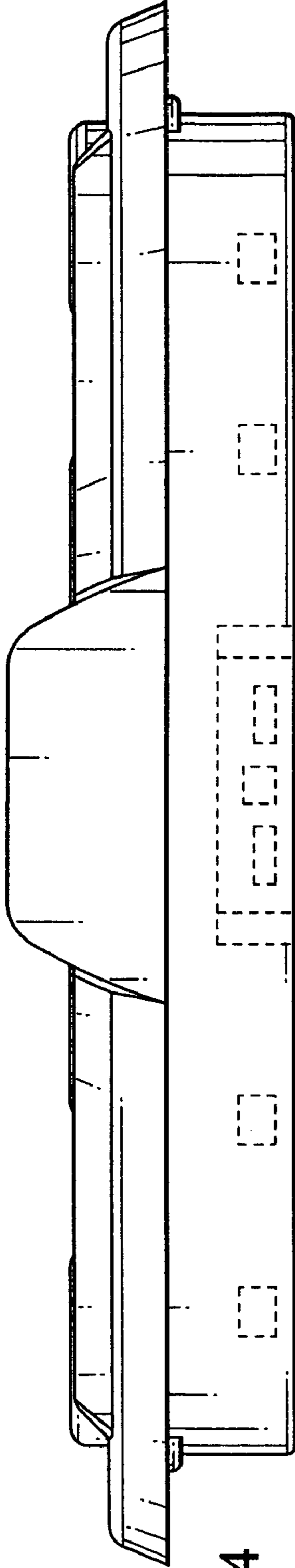


FIG. 4

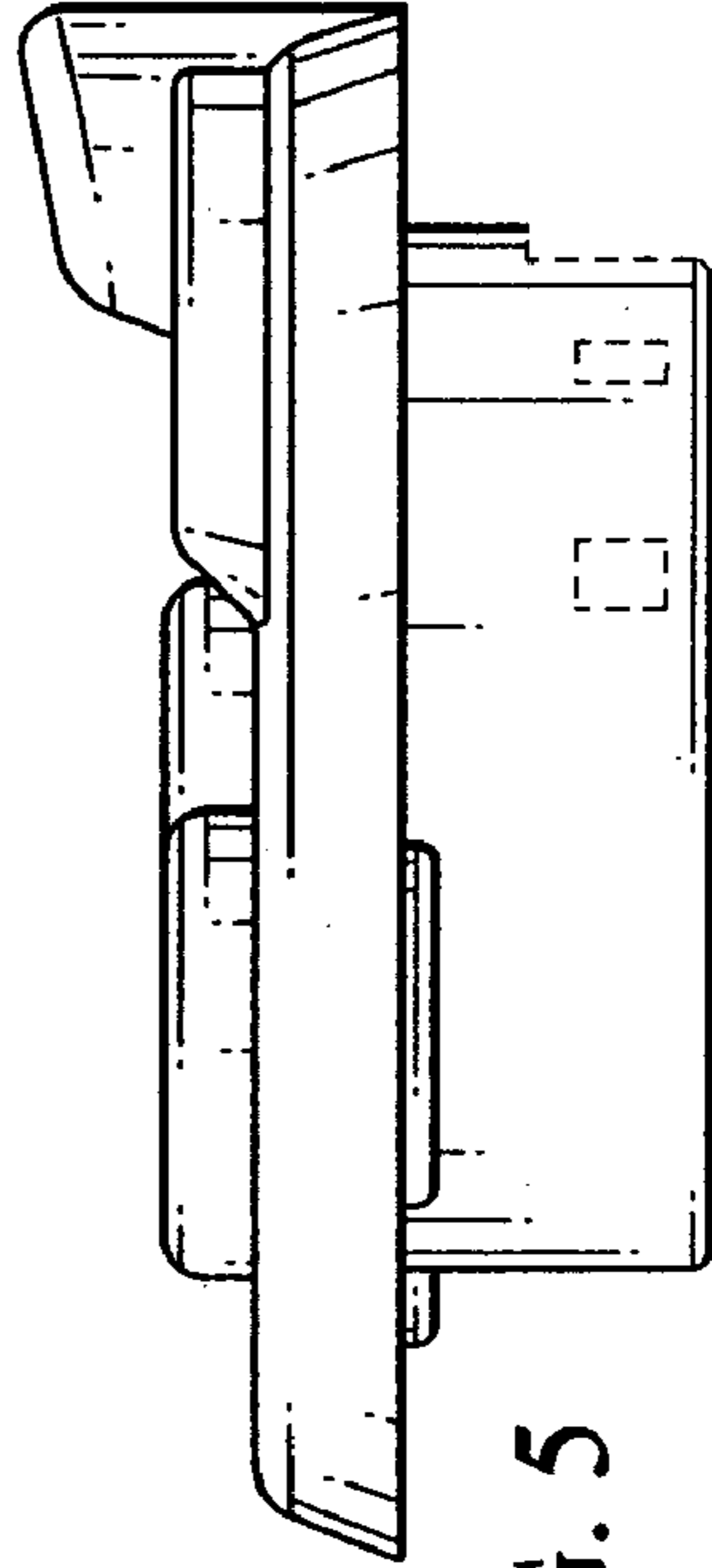


FIG. 5

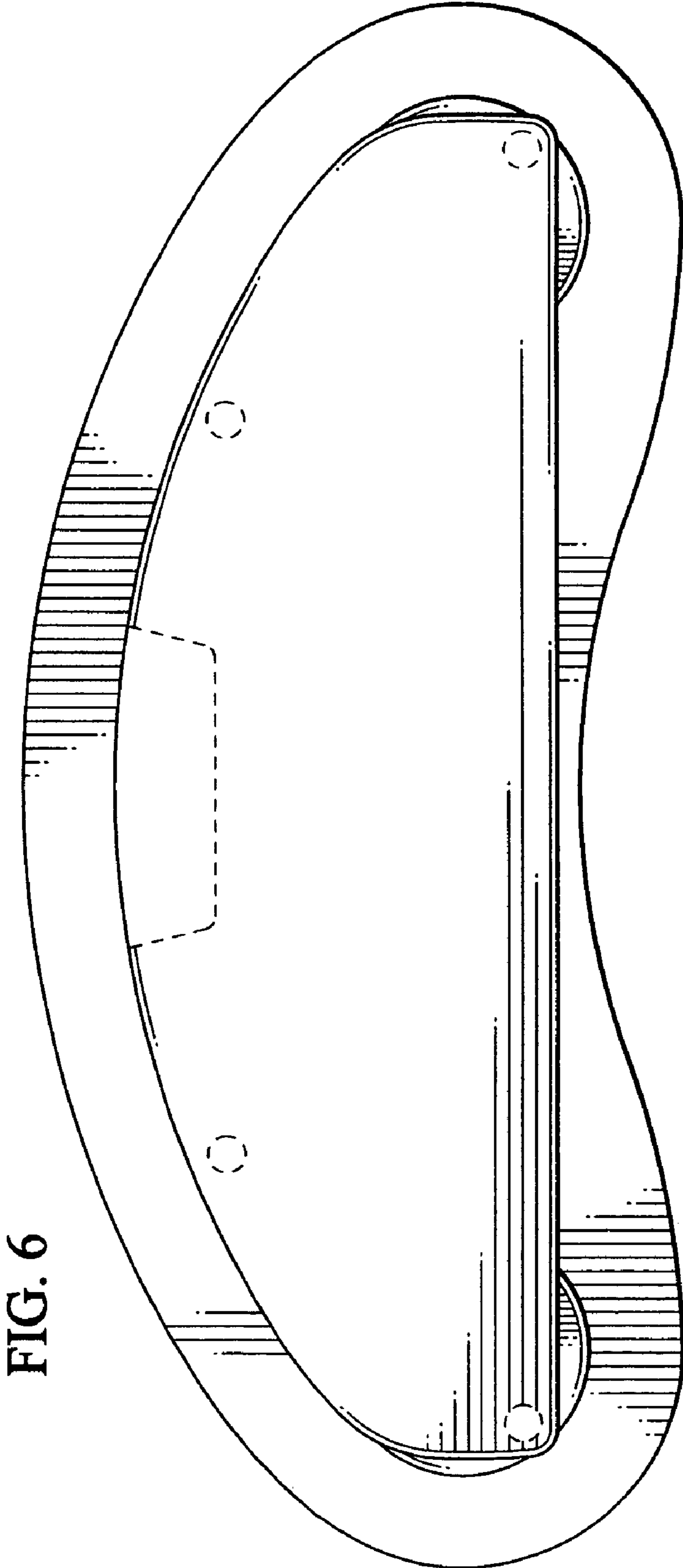


FIG. 6

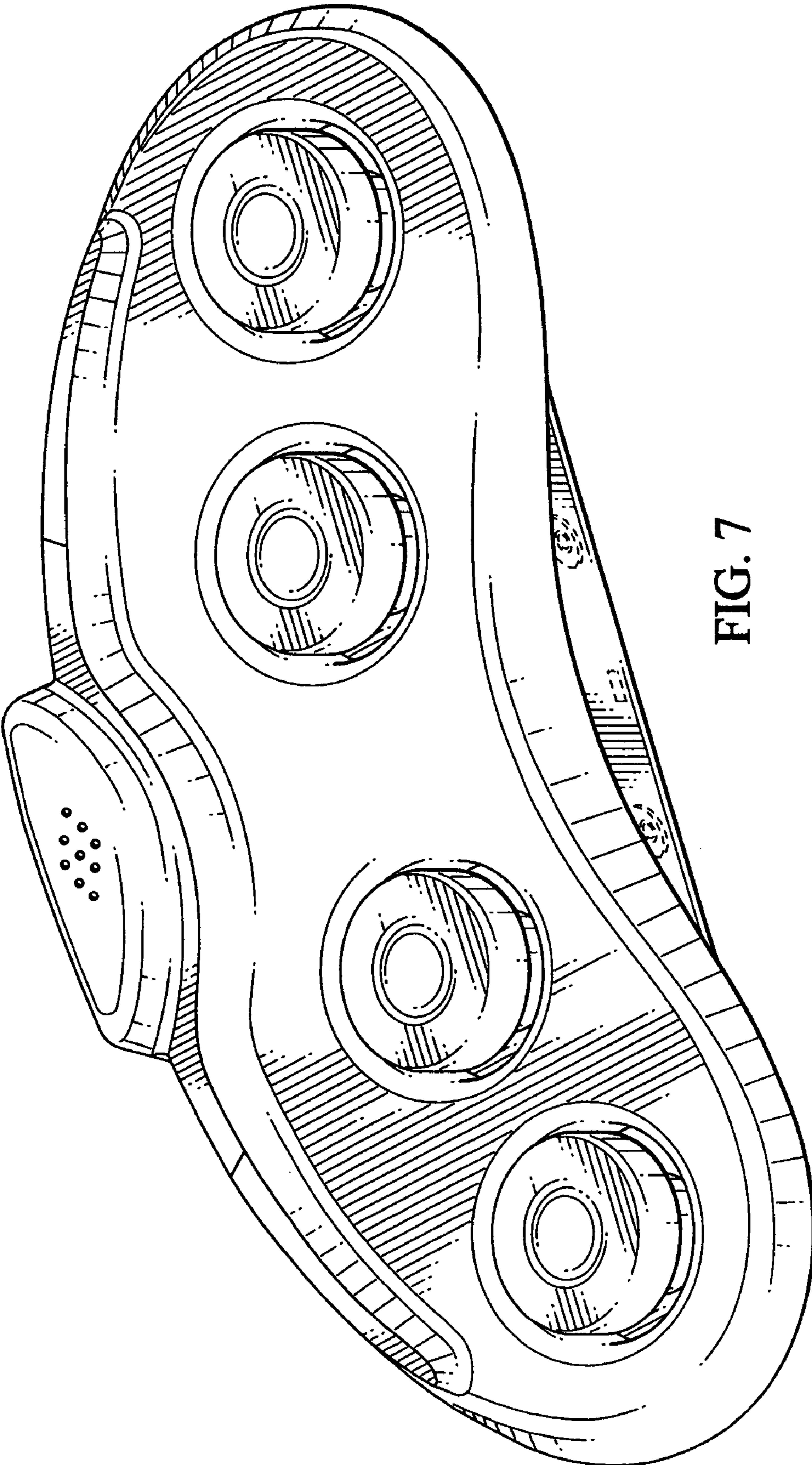


FIG. 7

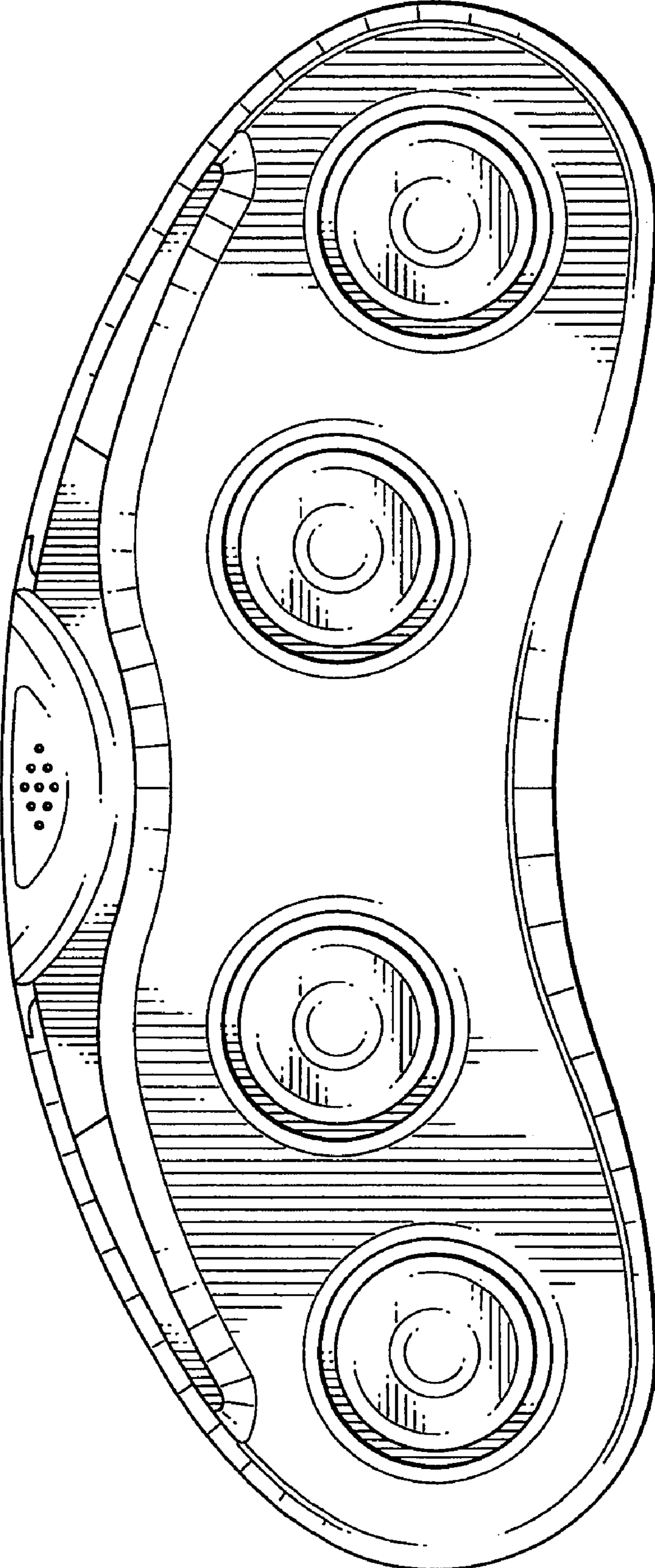


FIG. 8

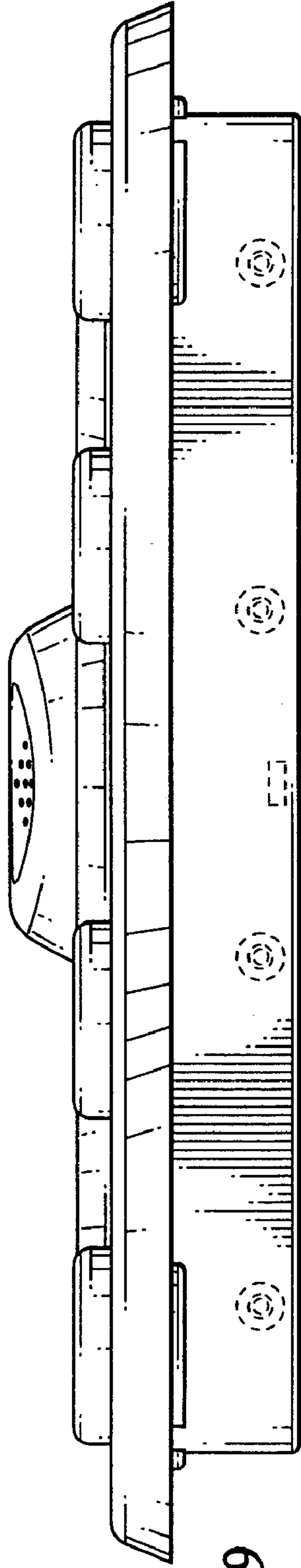


FIG. 9

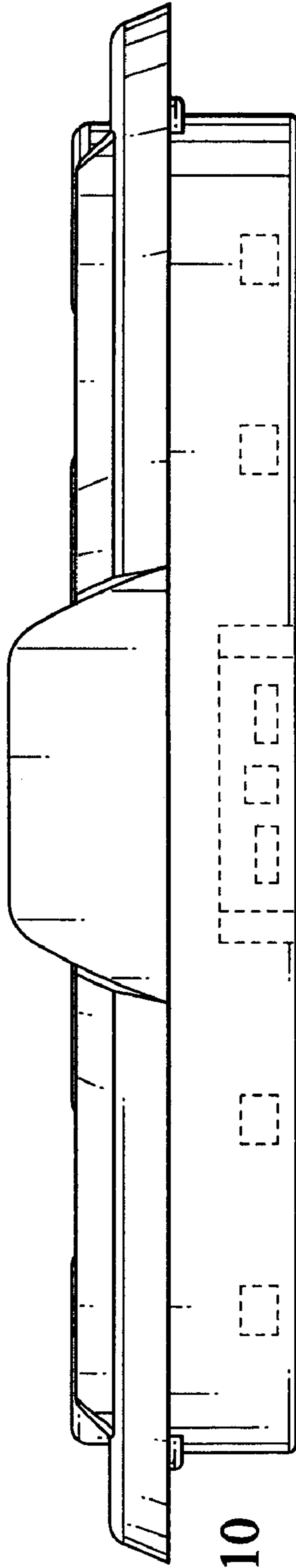


FIG. 10

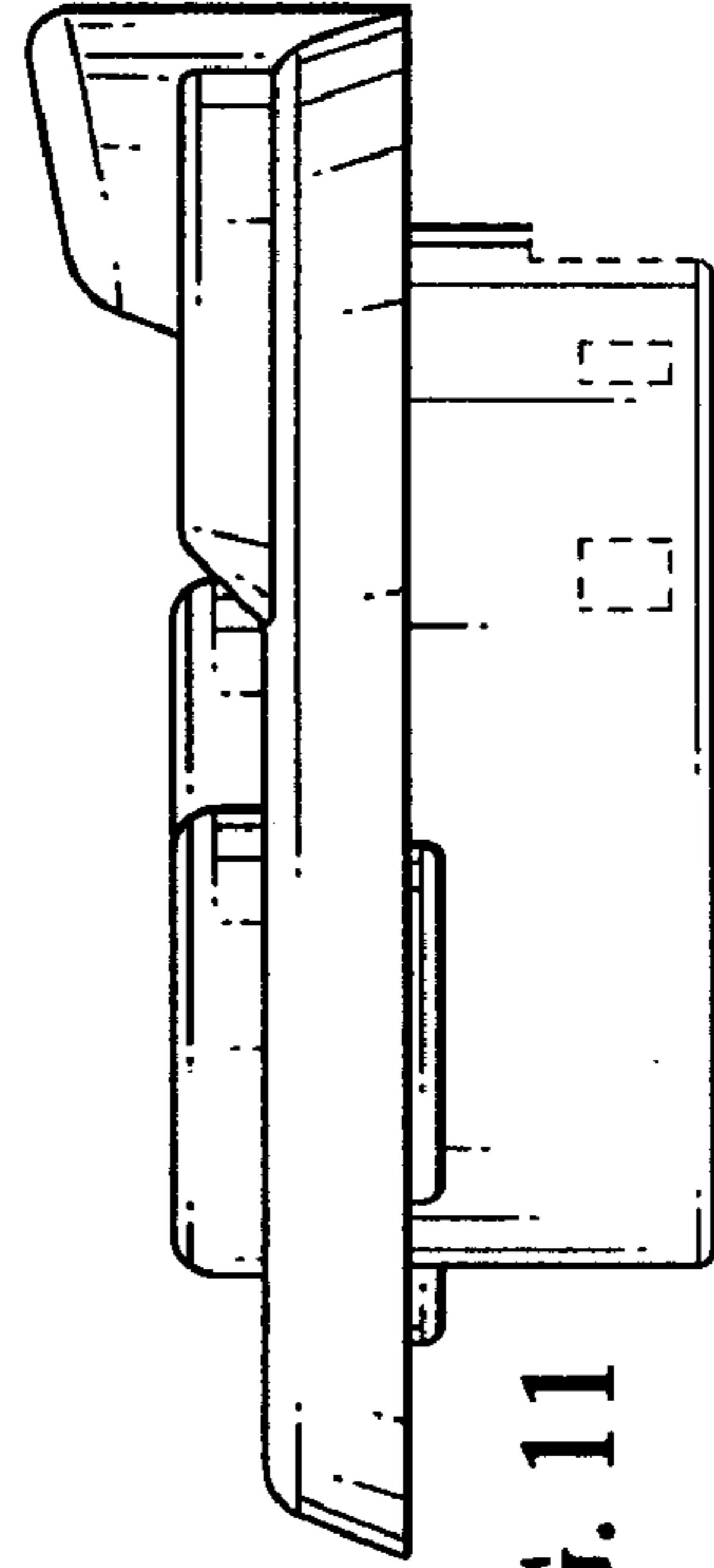


FIG. 11

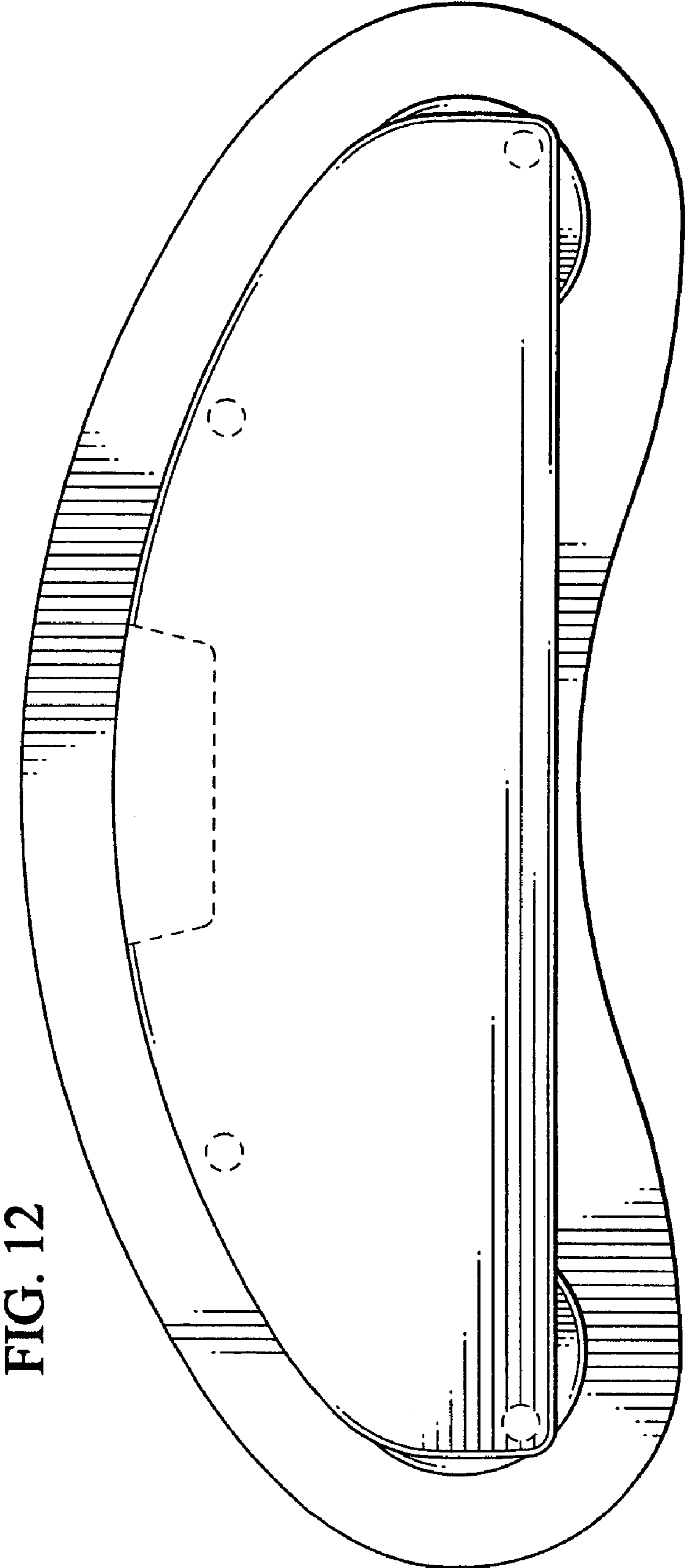


FIG. 12