



US00D554111S

(12) **United States Design Patent**
Su et al.

(10) **Patent No.:** **US D554,111 S**

(45) **Date of Patent:** **** Oct. 30, 2007**

(54) **MULTI-BAND ANTENNA**

(75) Inventors: **Wen-Fong Su**, Tu-Cheng (TW);
Yao-Shien Huang, Tu-Cheng (TW);
Chen-Ta Hung, Tu-Cheng (TW)

(73) Assignee: **Hon Hai Precision Ind. Co., Ltd.**,
Taipei Hsien (TW)

(**) Term: **14 Years**

(21) Appl. No.: **29/271,654**

(22) Filed: **Jan. 24, 2007**

(51) **LOC (8) Cl.** **14-03**

(52) **U.S. Cl.** **D14/230**

(58) **Field of Classification Search** D14/138,
D14/230-238, 299, 358; D12/42, 43; 343/700 R-705,
343/871-908, 795, 840, 711-713, 819, 846;
455/90.2, 90.3, 91, 128, 269, 344, 347, 562.1
See application file for complete search history.

(56) **References Cited**

U.S. PATENT DOCUMENTS

D456,388 S * 4/2002 Hwang D14/230
6,552,686 B2 * 4/2003 Ollikainen et al. .. 343/700 MS
6,577,278 B1 * 6/2003 Hood et al. 343/700 MS
6,614,400 B2 * 9/2003 Egorov 343/702

6,664,931 B1 * 12/2003 Nguyen et al. 343/767
D492,672 S * 7/2004 Hung et al. D14/230
D534,527 S * 1/2007 Hung et al. D14/230
D534,902 S * 1/2007 Su et al. D14/230
D534,903 S * 1/2007 Hung et al. D14/230
D535,290 S * 1/2007 Su et al. D14/230

* cited by examiner

Primary Examiner—Louis S. Zarfes

Assistant Examiner—John Windmuller

(74) *Attorney, Agent, or Firm*—Wei Te Chung

(57) **CLAIM**

The ornamental design for a multi-band antenna, as shown.

DESCRIPTION

FIG. 1 is a front, top and right side perspective view of a multi-band antenna showing our new design;

FIG. 2 is a front elevational view thereof;

FIG. 3 is a rear elevational view thereof;

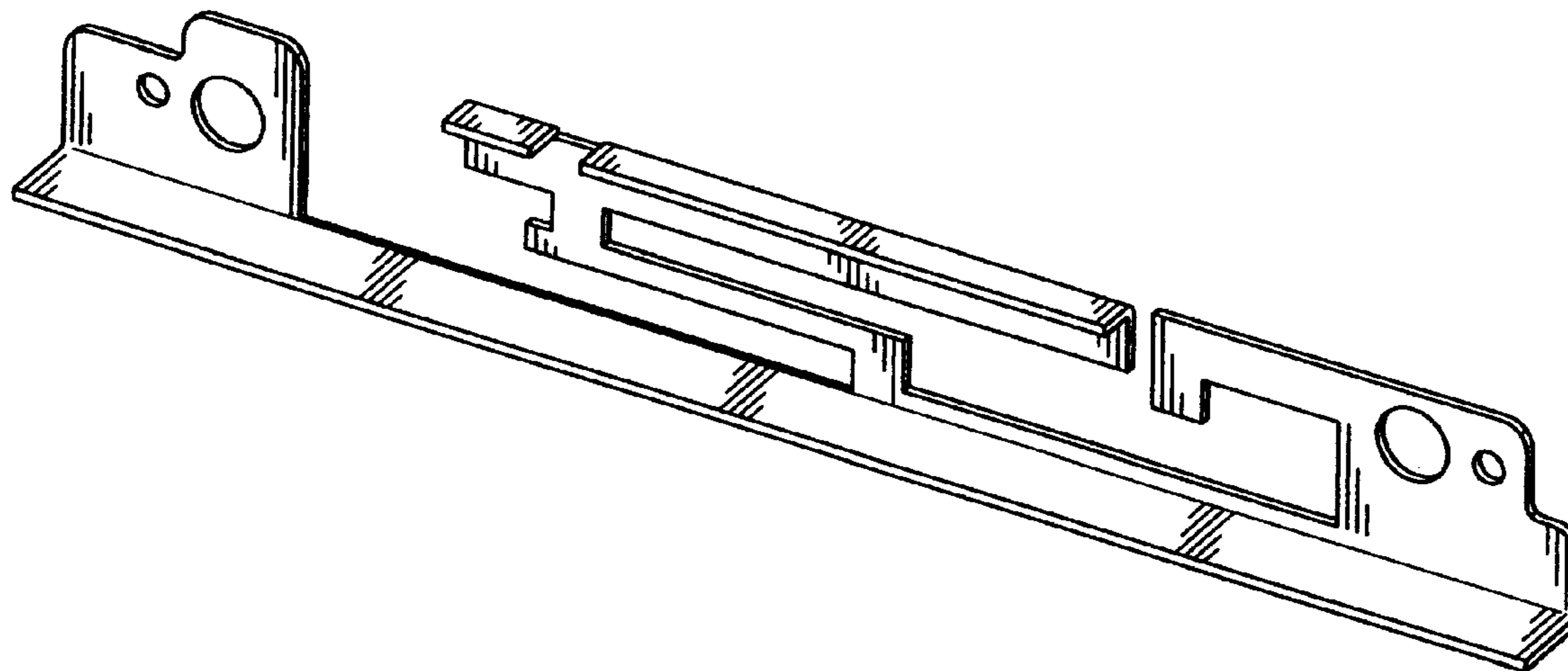
FIG. 4 is a left side elevational view thereof;

FIG. 5 is a right side elevational view thereof;

FIG. 6 is a top plan view thereof; and,

FIG. 7 is a bottom plan view thereof.

1 Claim, 6 Drawing Sheets



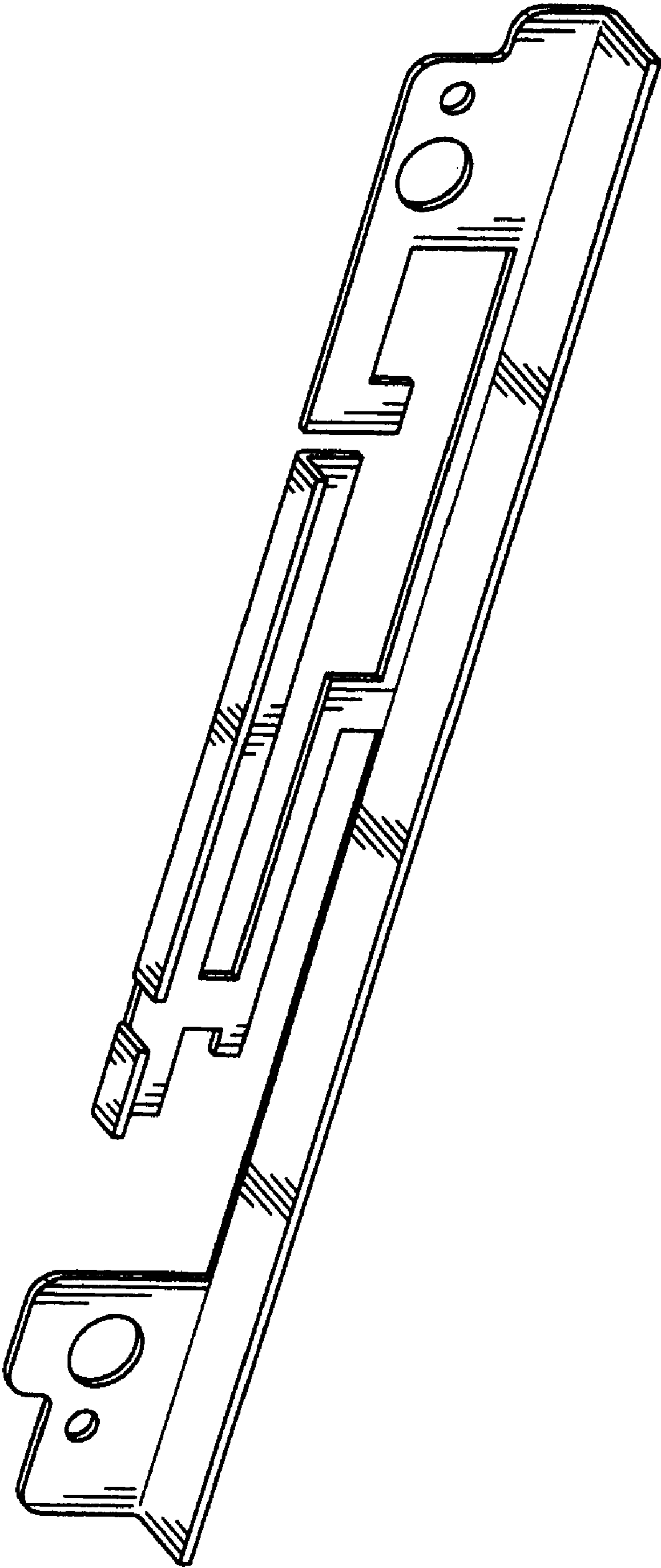


FIG. 1

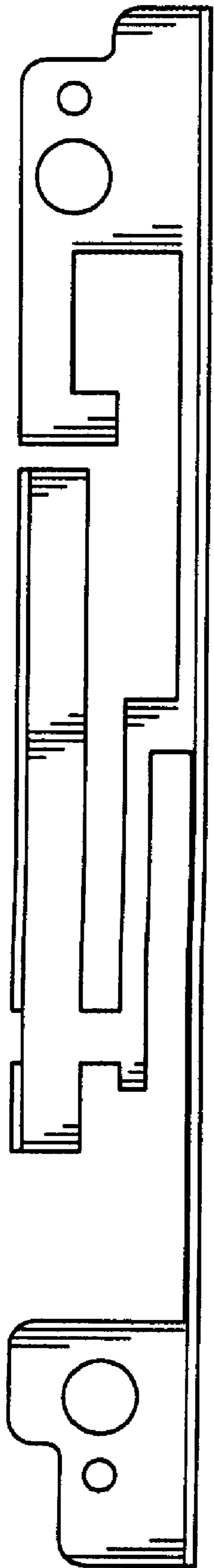


FIG. 2

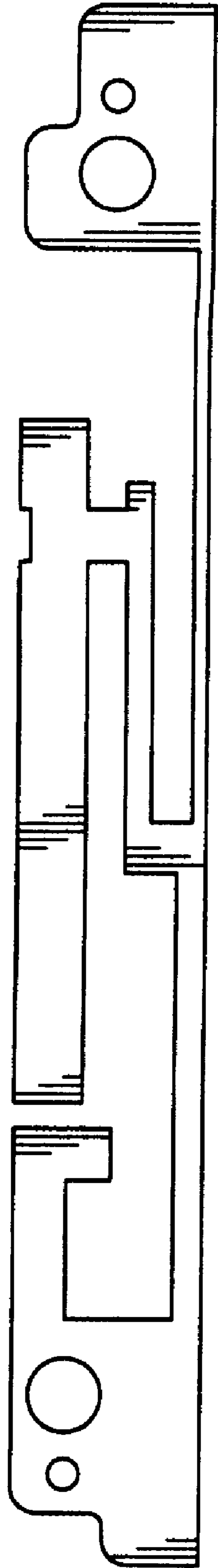


FIG. 3

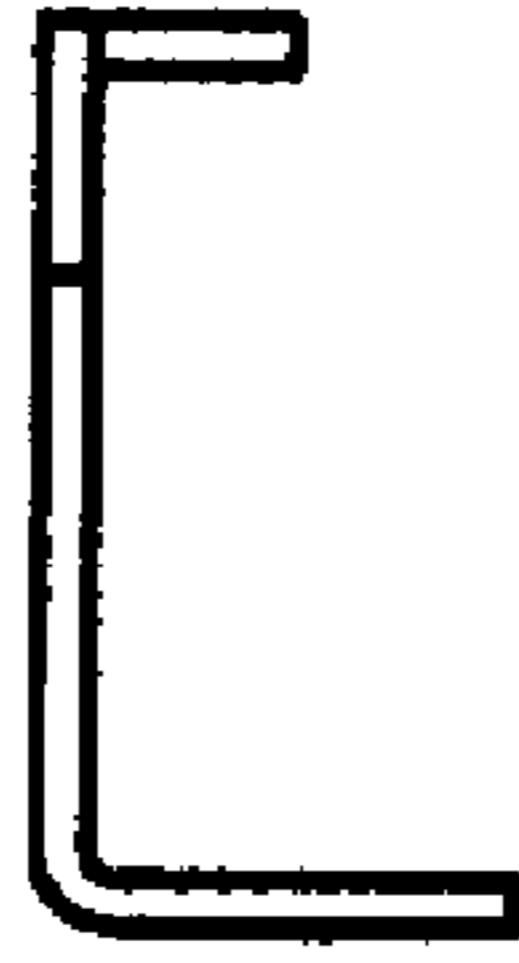


FIG. 4



FIG. 5



FIG. 6

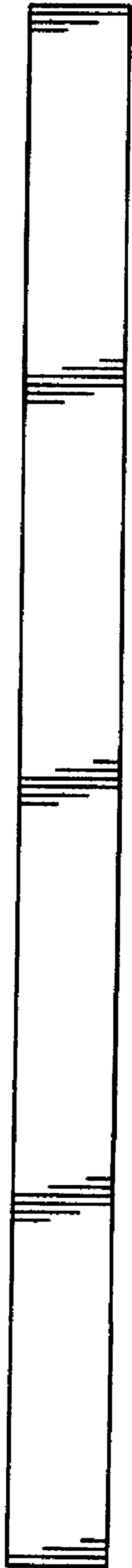


FIG. 7