



US00D554110S

(12) **United States Design Patent** (10) **Patent No.:** **US D554,110 S**
Whiteside et al. (45) **Date of Patent:** **** Oct. 30, 2007**

(54) **RADAR ARRAY**

(75) Inventors: **John B. Whiteside**, Lenexa, KS (US);
James P. Ross, Lenexa, KS (US);
Warren R. Stevens, Olathe, KS (US)

(73) Assignee: **Garmin Ltd.** (KY)

(**) Term: **14 Years**

(21) Appl. No.: **29/255,784**

(22) Filed: **Mar. 10, 2006**

(51) **LOC (8) Cl.** **14-03**

(52) **U.S. Cl.** **D14/230**

(58) **Field of Classification Search** D10/68;
D14/230, 234, 235, 236, 237; 342/158, 359;
343/763, 767, 872, 756, 771
See application file for complete search history.

(56) **References Cited**

U.S. PATENT DOCUMENTS

3,196,349 A * 7/1965 Fryklund 342/158
D326,097 S * 5/1992 Ferrario D14/230
5,134,409 A * 7/1992 De Groot 342/158
D516,060 S * 2/2006 Wu D14/230

OTHER PUBLICATIONS

Si-Tex Marine Electronics; from <http://www.si-tex.com>, taken from web site Mar. 8, 2006, 13 pages.
Excerpt from Furuno Electronic Co., Ltd. Marine Radar Model 1932 Mark-2/1942 Mark-2 Operator's Manual; Nishinomiya, Japan, 1998, 3 pages.

Excerpt from Furuno Electronic Co., Ltd. Marine Radar Model 1832/1932/1942 Operator's Manual; Nishinomiya, Japan, 1997, 7 pages.

Excerpt from Raymarine Ltd., Pathfinder Radar Scanners Owner's Handbook; 2004, 7 pages.

* cited by examiner

Primary Examiner—Antoine D. Davis

(74) *Attorney, Agent, or Firm*—David L. Terrell

(57) **CLAIM**

The ornamental design for a radar array, as shown and described.

DESCRIPTION

FIG. 1 is a perspective view of a radar array according to the present invention;

FIG. 2 is a rear elevational view thereof;

FIG. 3 is a front elevational view thereof;

FIG. 4 is a top plan view thereof;

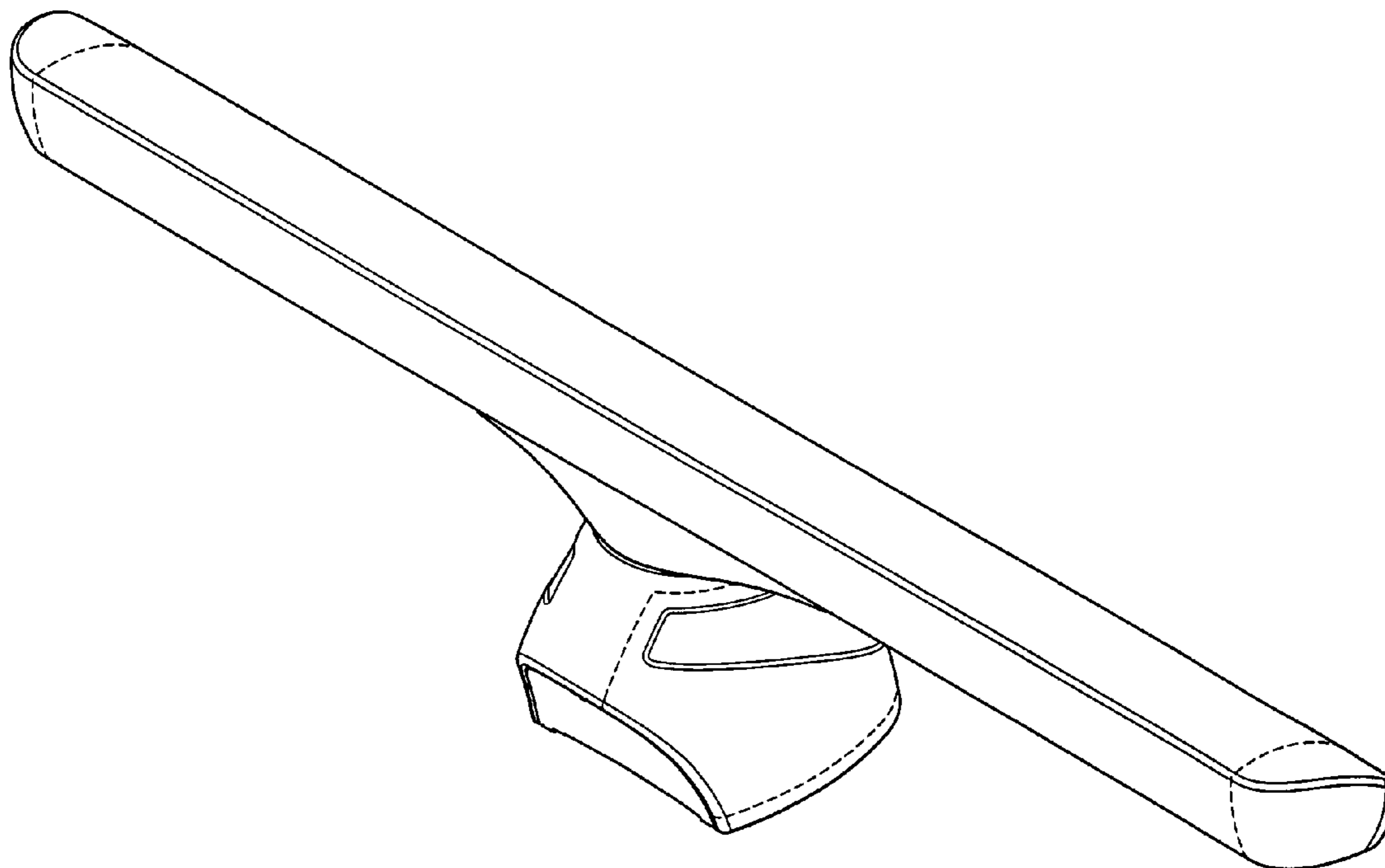
FIG. 5 is a bottom plan view thereof;

FIG. 6 is a left side elevational view thereof; and,

FIG. 7 is a rear elevational view thereof.

Reference being had to the accompanying drawing, forming a part hereof, those portions shown in dashed lines for illustrative purposes only and forming no part of the claimed design.

1 Claim, 3 Drawing Sheets



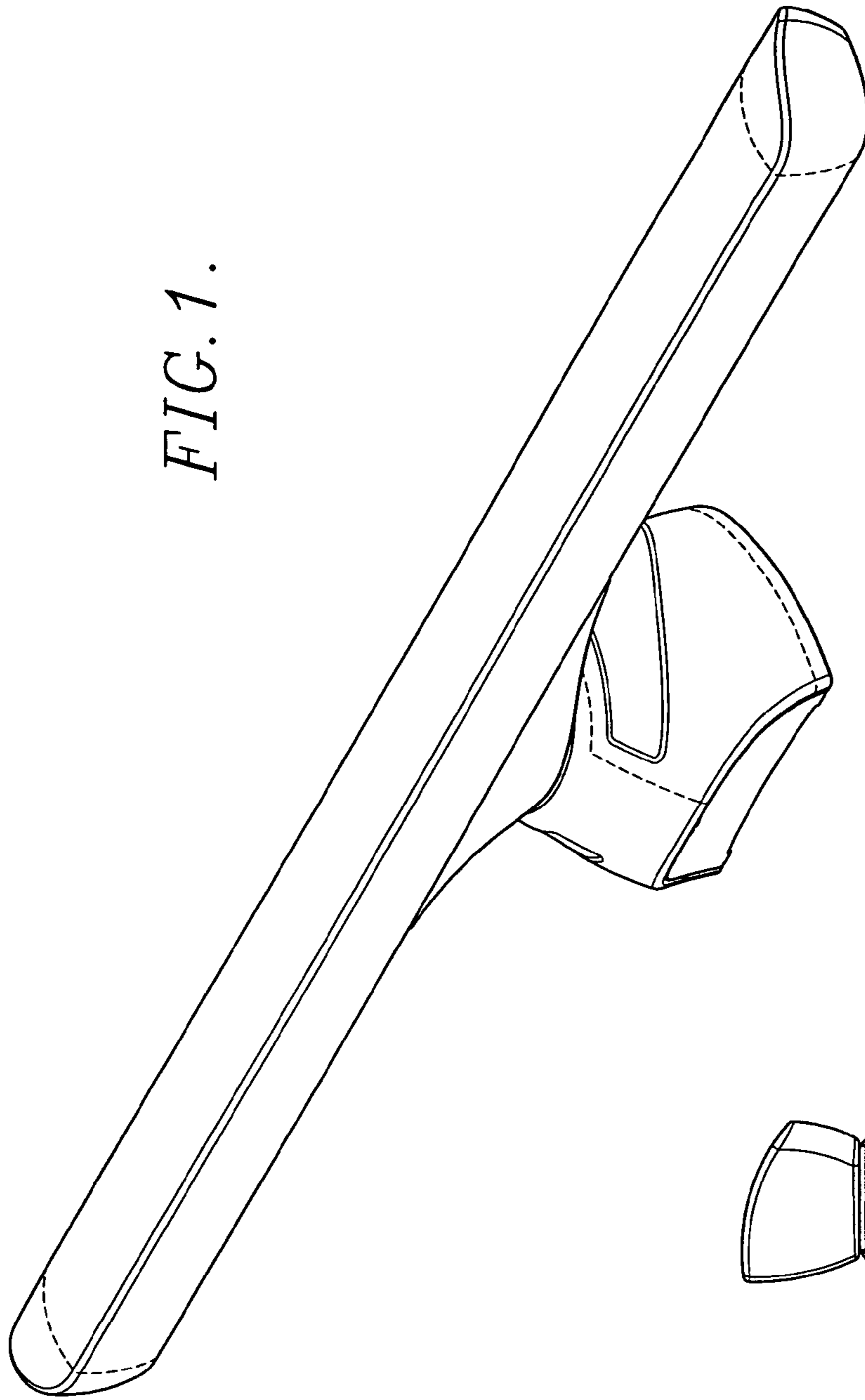


FIG. 1.

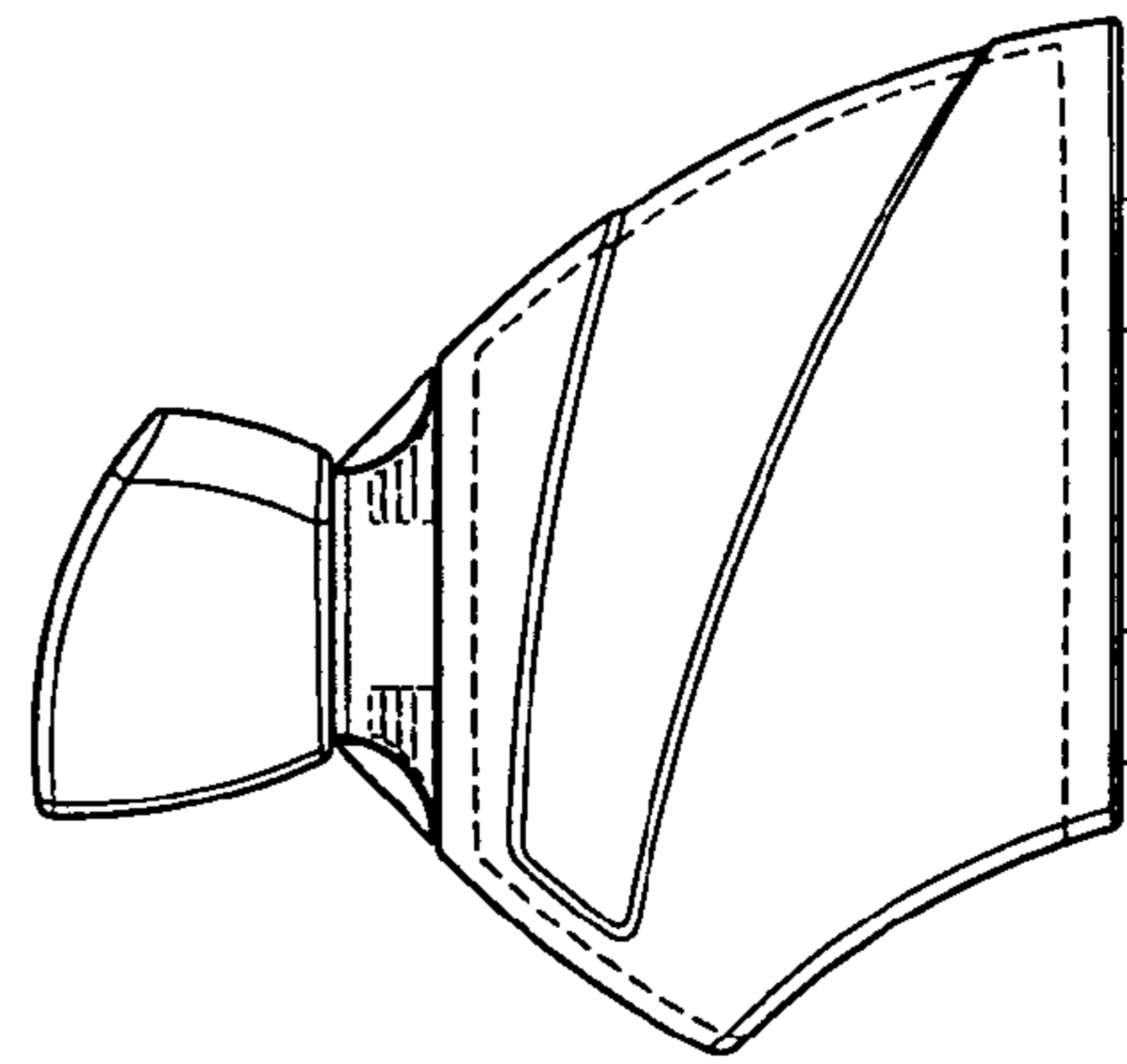


FIG. 6.

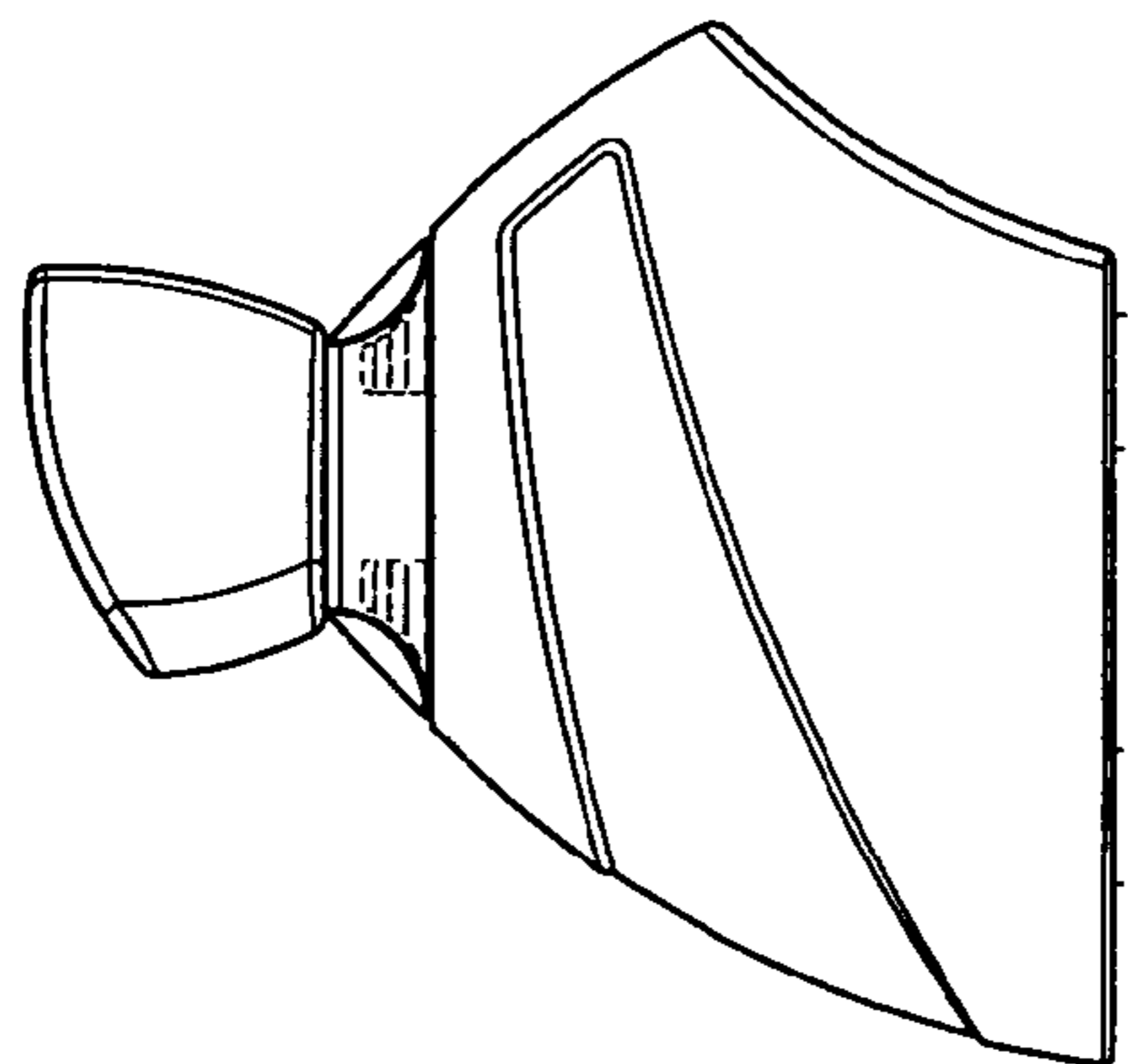


FIG. 7.

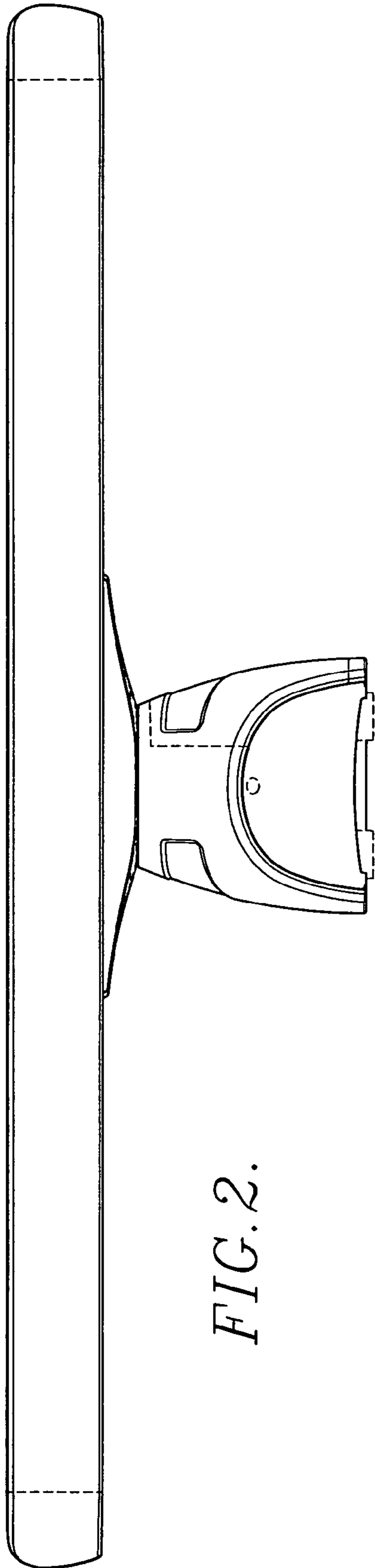


FIG. 2.

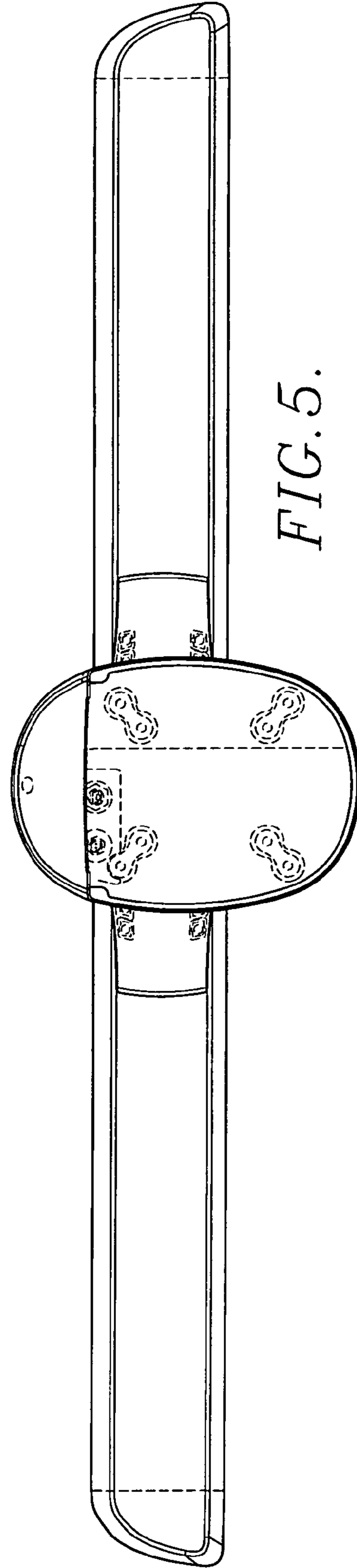


FIG. 5.

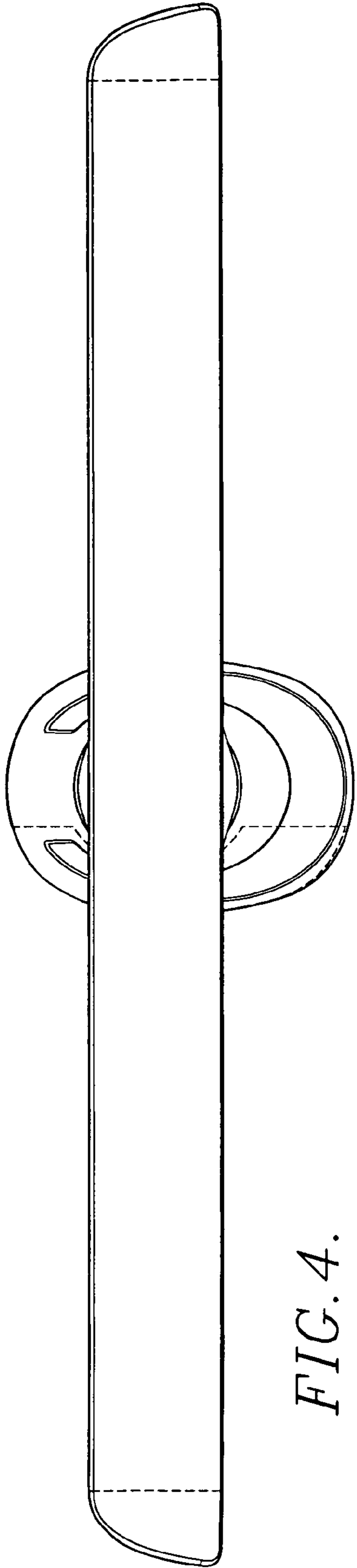


FIG. 4.

FIG. 3.

