



US00D554109S

(12) **United States Design Patent**
Ledbetter et al.

(10) **Patent No.: US D554,109 S**

(45) **Date of Patent: ** Oct. 30, 2007**

(54) **PAIR OF EARPHONES**

(75) Inventors: **Carl J. Ledbetter**, Mercer Island, WA (US); **John Ikeda**, Seattle, WA (US); **Steven T. Kaneko**, Medina, WA (US); **Joshua David Maruska**, Seattle, WA (US)

(73) Assignee: **Microsoft Corporation**, Redmond, WA (US)

(**) Term: **14 Years**

(21) Appl. No.: **29/248,489**

(22) Filed: **Aug. 17, 2006**

(51) **LOC (8) Cl.** **14-01**

(52) **U.S. Cl.** **D14/223**

(58) **Field of Classification Search** D14/142,
D14/168, 188, 192, 205, 206, 249, 223; D24/174;
181/129, 130, 135, 149; 379/430; 381/322,
381/328, 370, 373, 374, 380, 381, 385, 387
See application file for complete search history.

(56) **References Cited**

U.S. PATENT DOCUMENTS

D278,234 S *	4/1985	Saito	D14/205
4,736,435 A *	4/1988	Yokoyama et al.	381/380
4,965,838 A *	10/1990	Kamon et al.	381/380
D316,550 S *	4/1991	Sogabe	D14/168
D318,473 S *	7/1991	Miyashita et al.	D14/223
D318,865 S *	8/1991	Ichikawa	D14/205
D331,062 S *	11/1992	Kanno	D14/223
D337,589 S *	7/1993	Wada	D14/223

D353,379 S *	12/1994	Nakamura et al.	D14/223
5,420,935 A *	5/1995	Shinohara et al.	381/370
5,953,435 A *	9/1999	Mullin et al.	381/380
D512,049 S *	11/2005	Yang	D14/223
D531,169 S *	10/2006	Tokioka et al.	D14/223

* cited by examiner

Primary Examiner—Paula A. Greene

(74) *Attorney, Agent, or Firm*—Banner & Witcoff, Ltd.

(57) **CLAIM**

The ornamental design for pair of earphones, as shown and described.

DESCRIPTION

FIG. 1 is a front perspective view of pair of earphones showing our new design;

FIG. 2 is a front view thereof;

FIG. 3 is a rear view thereof;

FIG. 4 is a side view thereof of an pair of earphones in FIG. 1;

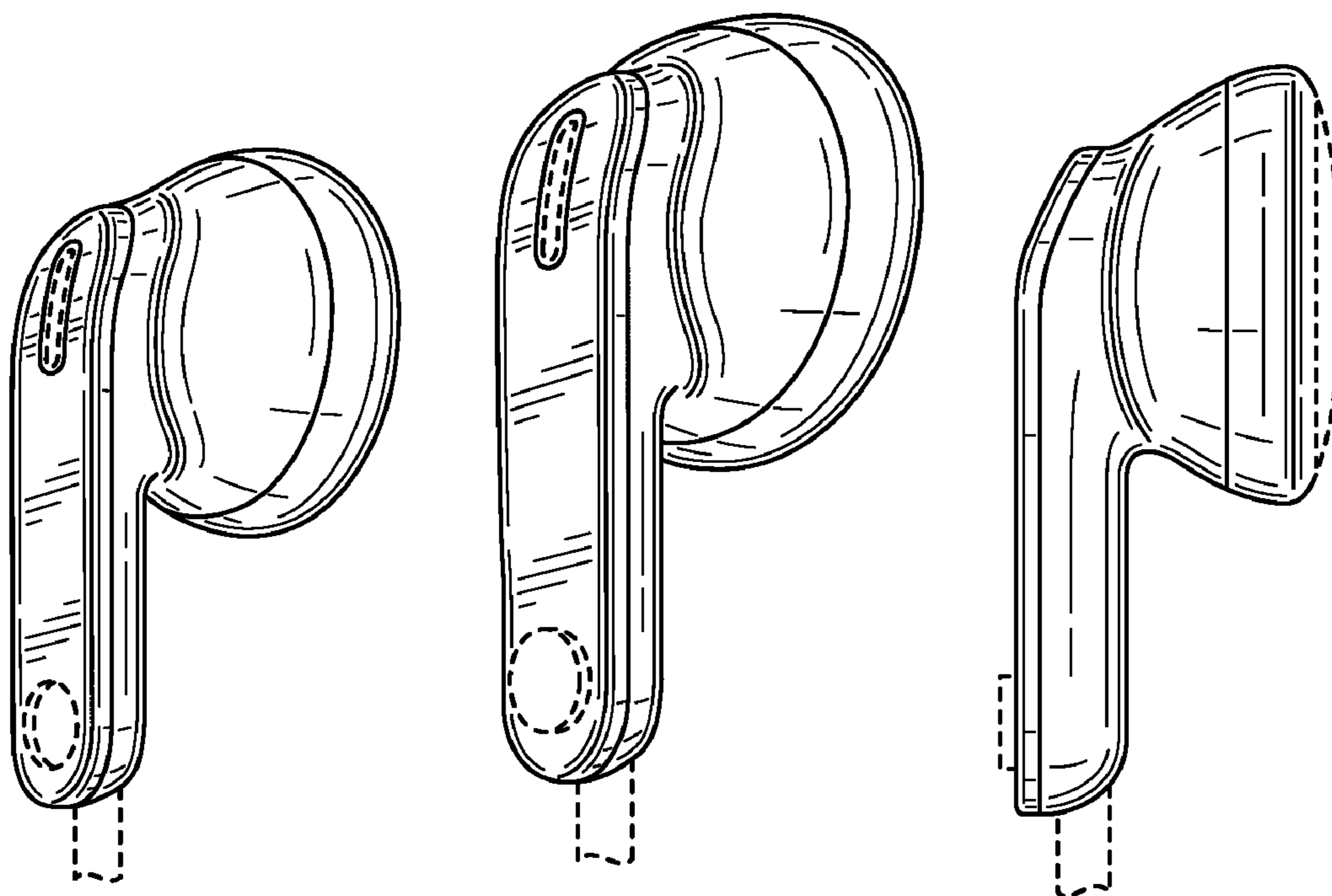
FIG. 5 is an opposite side view thereof;

FIG. 6 is a top view thereof of the pair of earphones in FIG. 1; and,

FIG. 7 is a bottom view thereof.

The broken line showing of various regions in the Figures, including the unshaded areas therein, is for illustrative purposes only and forms no part of the claimed design.

1 Claim, 3 Drawing Sheets



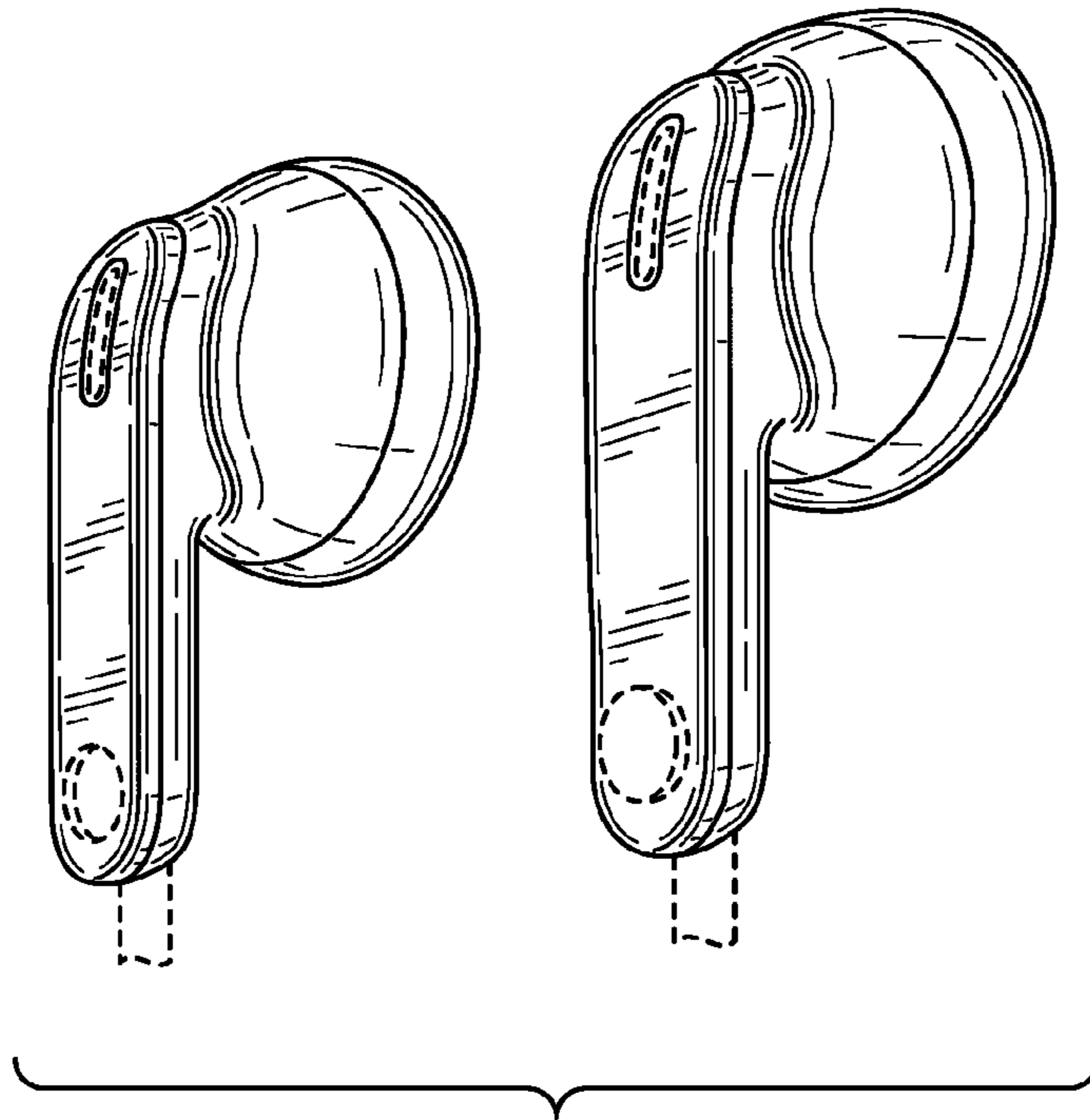


FIG. 1

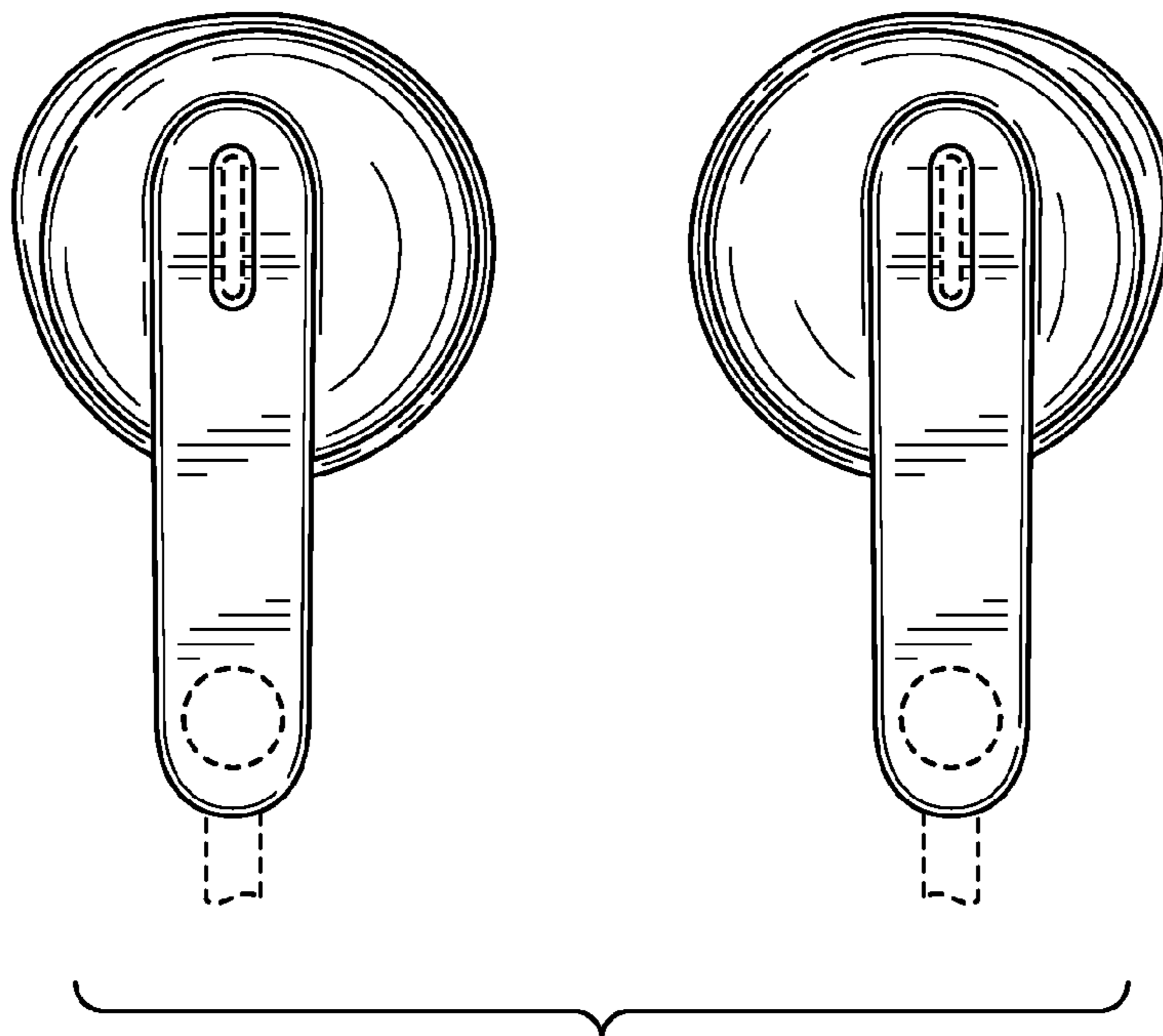


FIG. 2

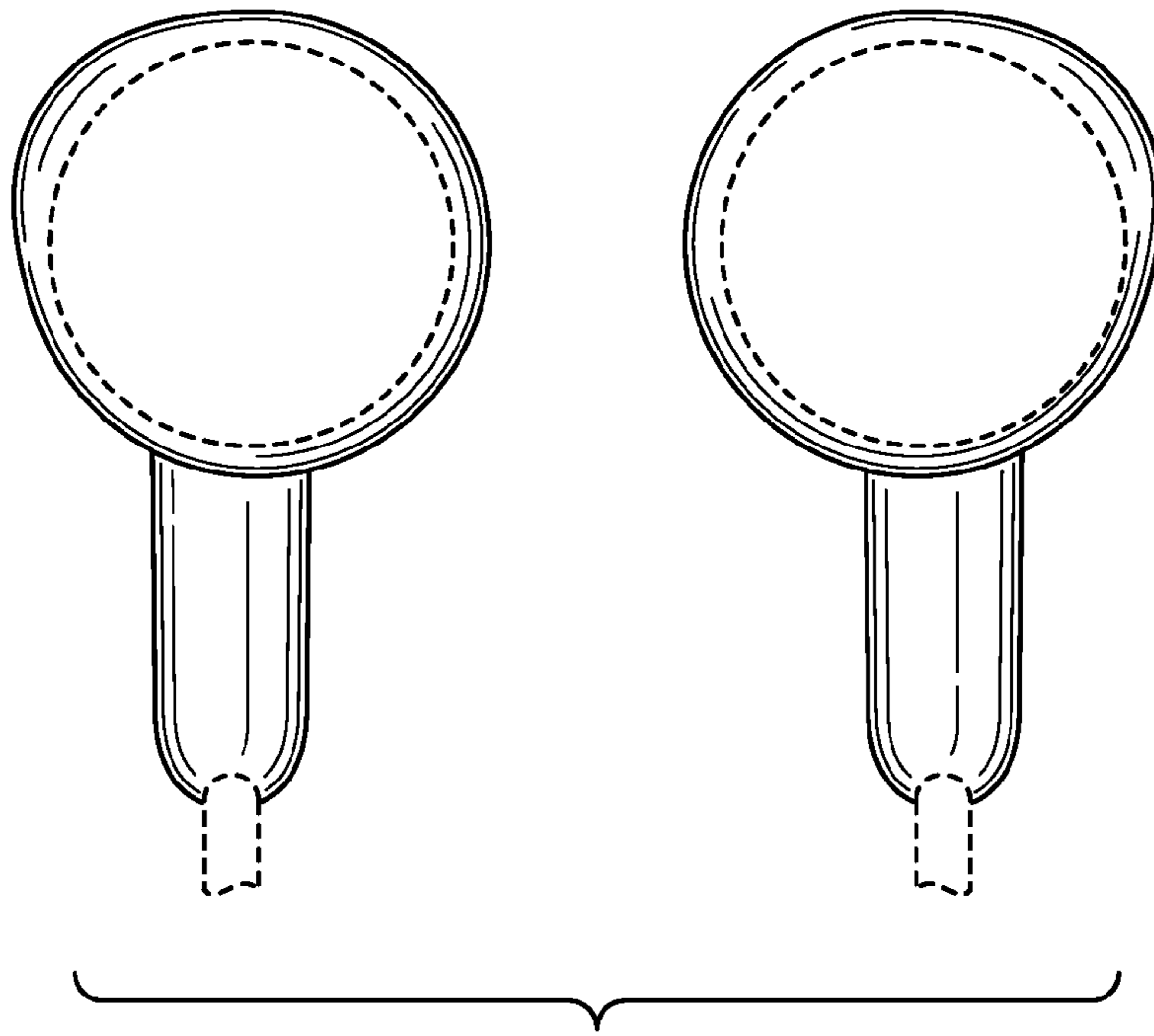


FIG. 3

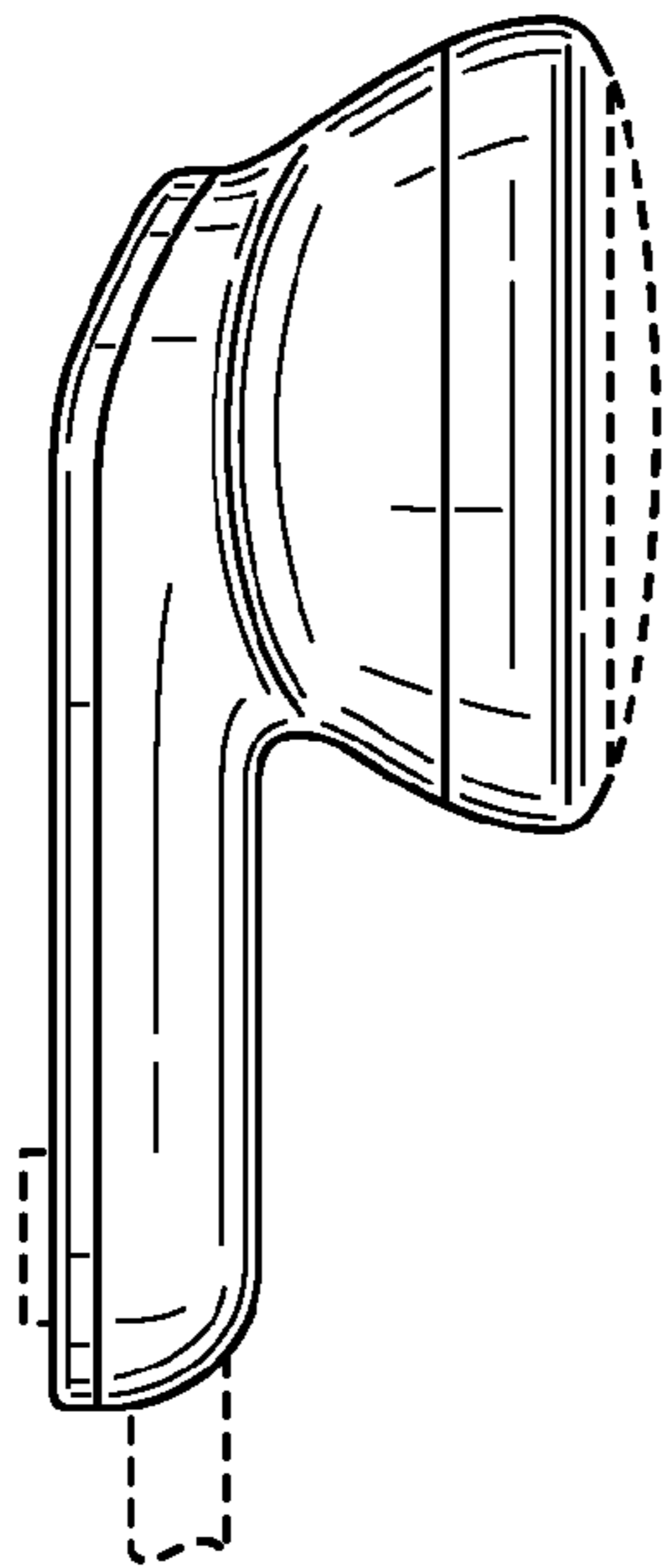


FIG. 4

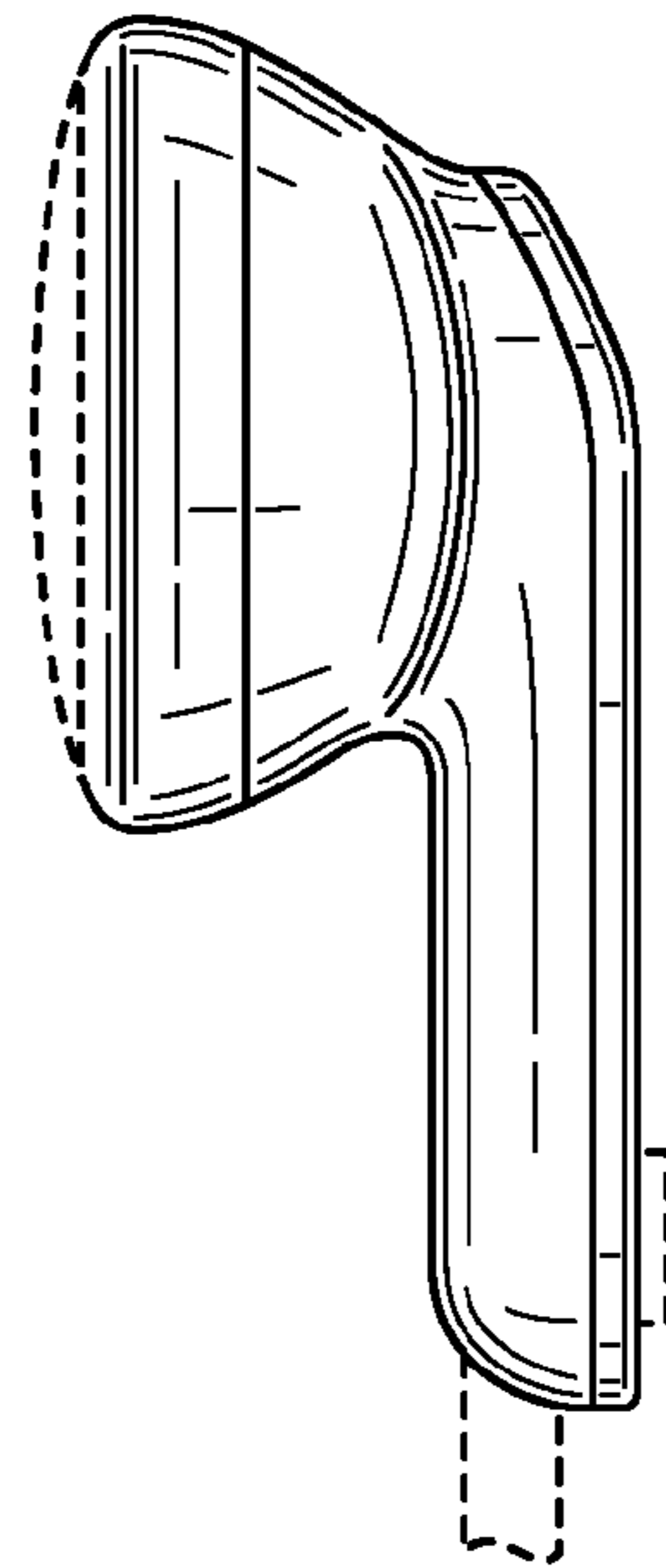


FIG. 5

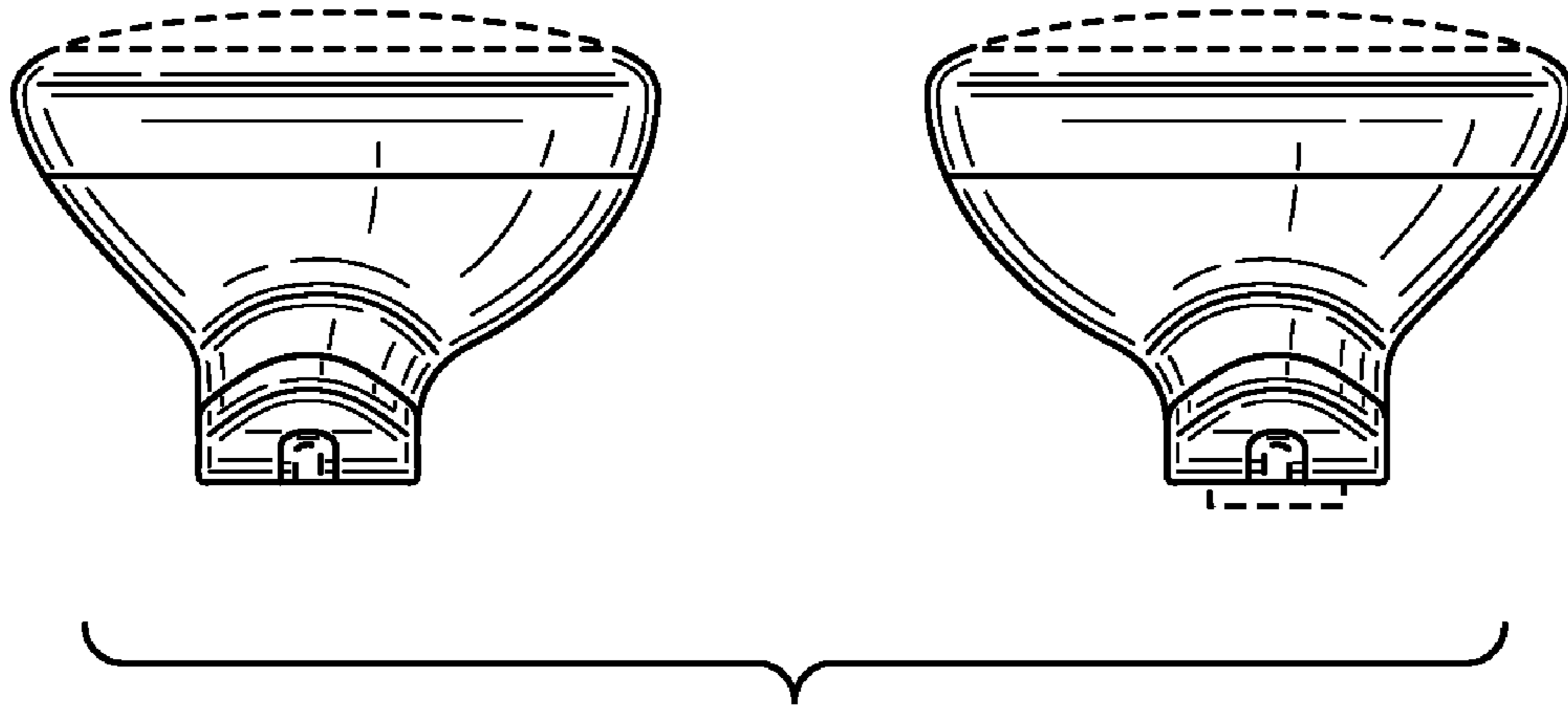


FIG. 6

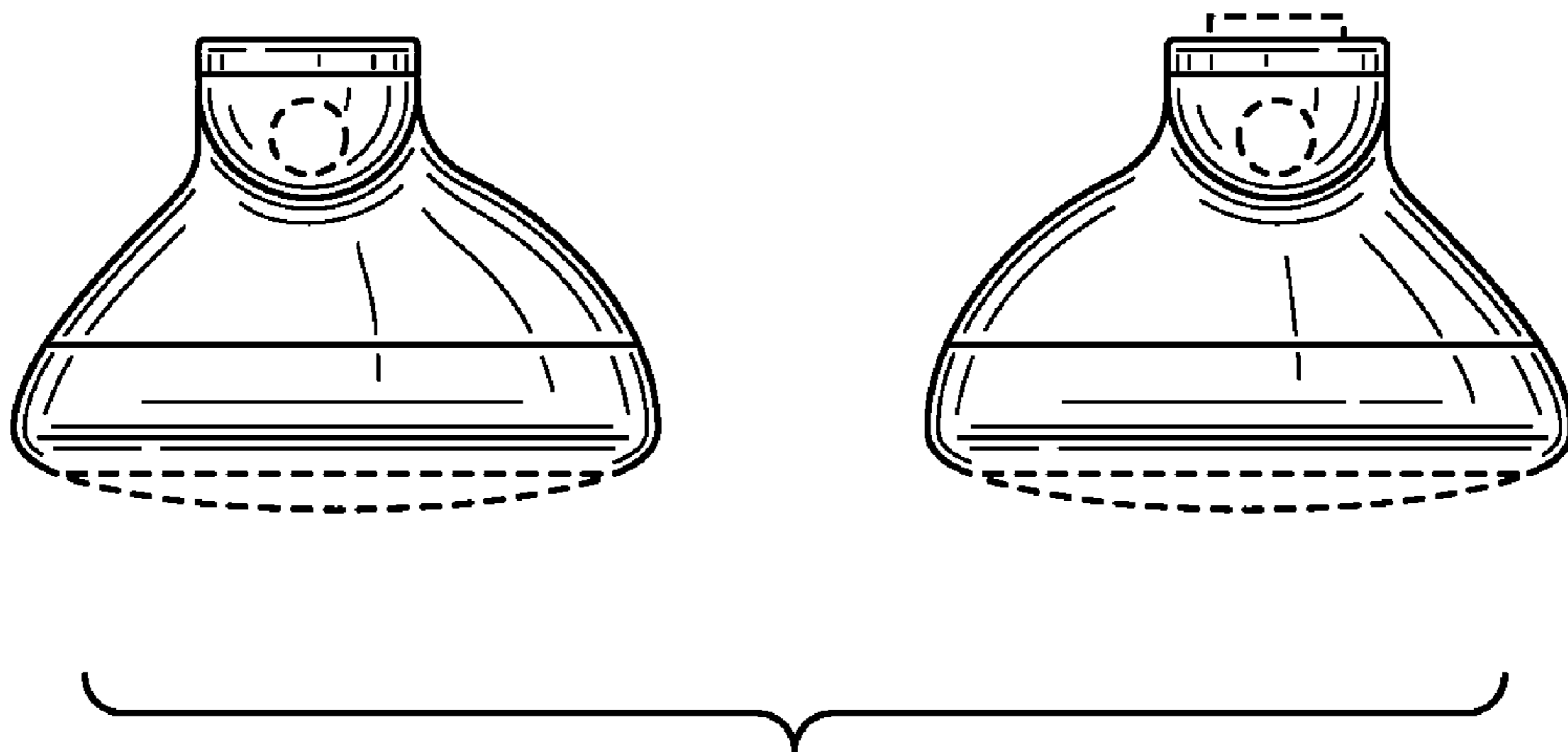


FIG. 7