



US00D554107S

(12) **United States Design Patent** (10) **Patent No.:** **US D554,107 S**
Calco et al. (45) **Date of Patent:** **** Oct. 30, 2007**

(54) **REMOTE CONTROLLED DOCKING ASSEMBLY FOR MEDIA DEVICE**

(75) Inventors: **Wayne A. Calco**, Laguna Hills, CA (US); **Jeff Grady**, Charleston, SC (US); **Garey De Angelis**, Charleston, SC (US); **Andrew Green**, Mount Pleasant, SC (US)

(73) Assignee: **Netalog, Inc.**, Charleston, SC (US)

(**) Term: **14 Years**

(21) Appl. No.: **29/255,898**

(22) Filed: **Mar. 13, 2006**

(51) **LOC (8) Cl.** **14-02**

(52) **U.S. Cl.** **D14/217**

(58) **Field of Classification Search** D14/142, D14/149, 217, 224, 251, 253, 432, 434, 435, D14/447, 496; D13/107, 108, 118; 248/221.11, 248/309.1; 320/107, 110, 113-115; 361/600, 361/679, 683, 686; 439/529, 534; 455/556.1, 455/556.2, 557

See application file for complete search history.

(56) **References Cited**

U.S. PATENT DOCUMENTS

D367,651 S *	3/1996	Hellier et al.	D14/149
D385,530 S *	10/1997	Hames et al.	D13/107
D397,996 S *	9/1998	Smith	D13/168
D409,170 S *	5/1999	Ota et al.	D14/357
6,240,297 B1	5/2001	Jadoul	
6,396,769 B1	5/2002	Polany	
6,523,079 B2	2/2003	Kikinis et al.	
6,591,085 B1	7/2003	Grady	
D495,336 S *	8/2004	Andre et al.	D14/434
6,785,126 B2	8/2004	Hazzard et al.	
D526,995 S *	8/2006	Claxton et al.	D14/253
D532,005 S *	11/2006	Leith	D14/253
2002/0072390 A1 *	6/2002	Uchiyama	455/557
2002/0098813 A1	7/2002	Likourezos et al.	
2004/0224638 A1	11/2004	Fadell et al.	

FOREIGN PATENT DOCUMENTS

KR 10-0630109 B1 9/2006

TW	M247950 B	10/2004
TW	M268823 B	6/2005
TW	M290351 B	5/2006
TW	M298843 B	10/2006

OTHER PUBLICATIONS

CNet.com, "DLO HomeDock for iPod Review", <http://reviews.cnet.com>, Dec. 15, 2005, 1 pg.*

Harman/Kardon. The Bridge—Owner's Manual, Found on-line Feb. 21, 2007 at https://www.hci-services.com//tech_doc/documents, 2005, Published in: Northridge, CA.

* cited by examiner

Primary Examiner—Mitchell Siegel

Assistant Examiner—Keli' L. Acker

(74) *Attorney, Agent, or Firm*—Vincent K. Gustafson; Intellectual Property/Technology Law

(57) **CLAIM**

The ornamental design for a remote controlled docking assembly for media device, as shown and described.

DESCRIPTION

FIG. 1 is a perspective view of a remote controlled docking assembly for media device showing our new design;

FIG. 2 is a front elevation view thereof;

FIG. 3 is a rear elevation view thereof;

FIG. 4 is a left side elevation view thereof;

FIG. 5 is a top plan view thereof;

FIG. 6 is a bottom plan view thereof;

FIG. 7 is an alternate front elevation view thereof, showing a remote control in connection with the docking assembly; and,

FIG. 8 is right side view thereof.

The broken line showing of the plug elements and remote control are included for the purpose of illustrating environmental structure and forms no part of the claimed design.

1 Claim, 4 Drawing Sheets

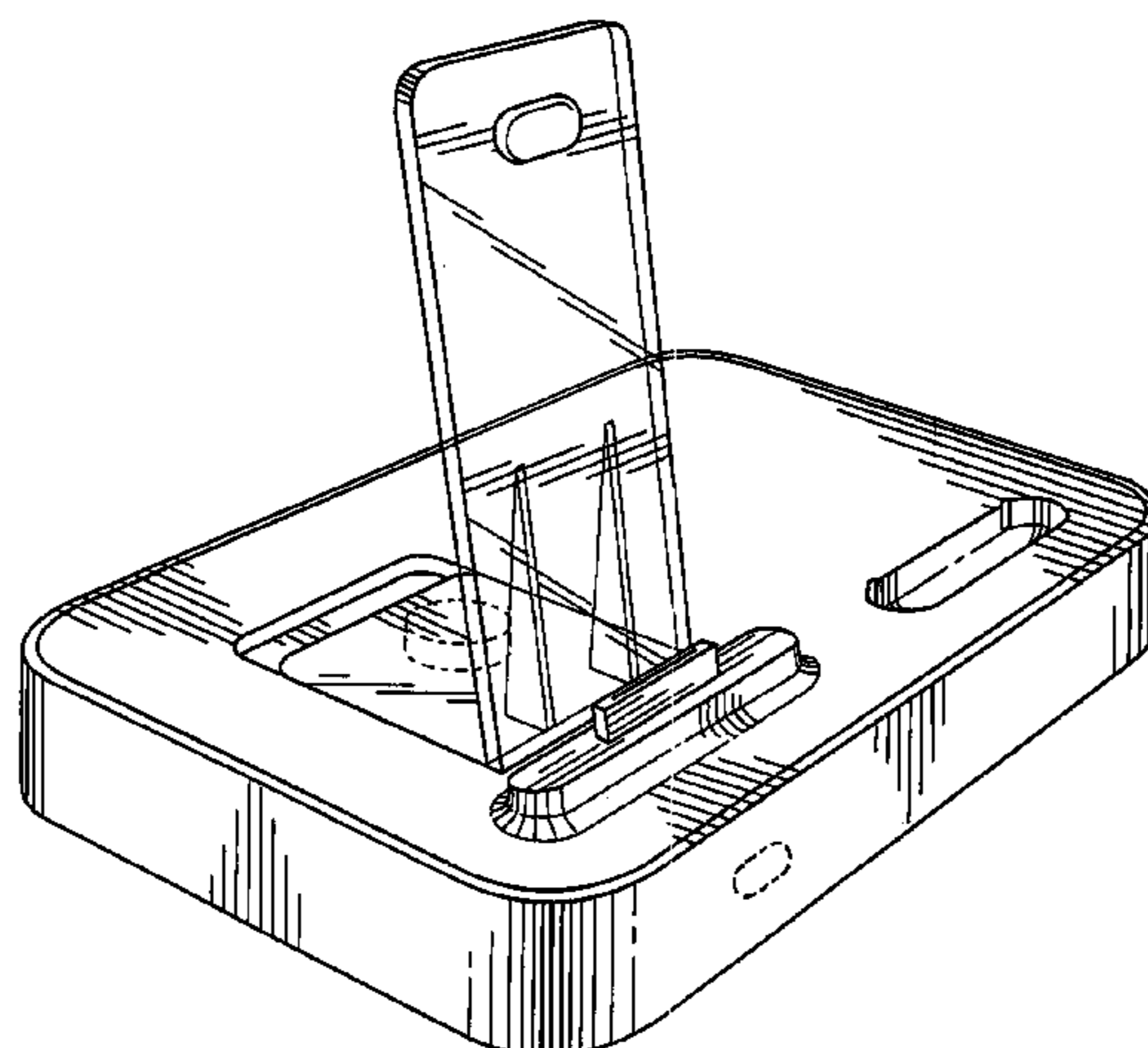


Fig. 1

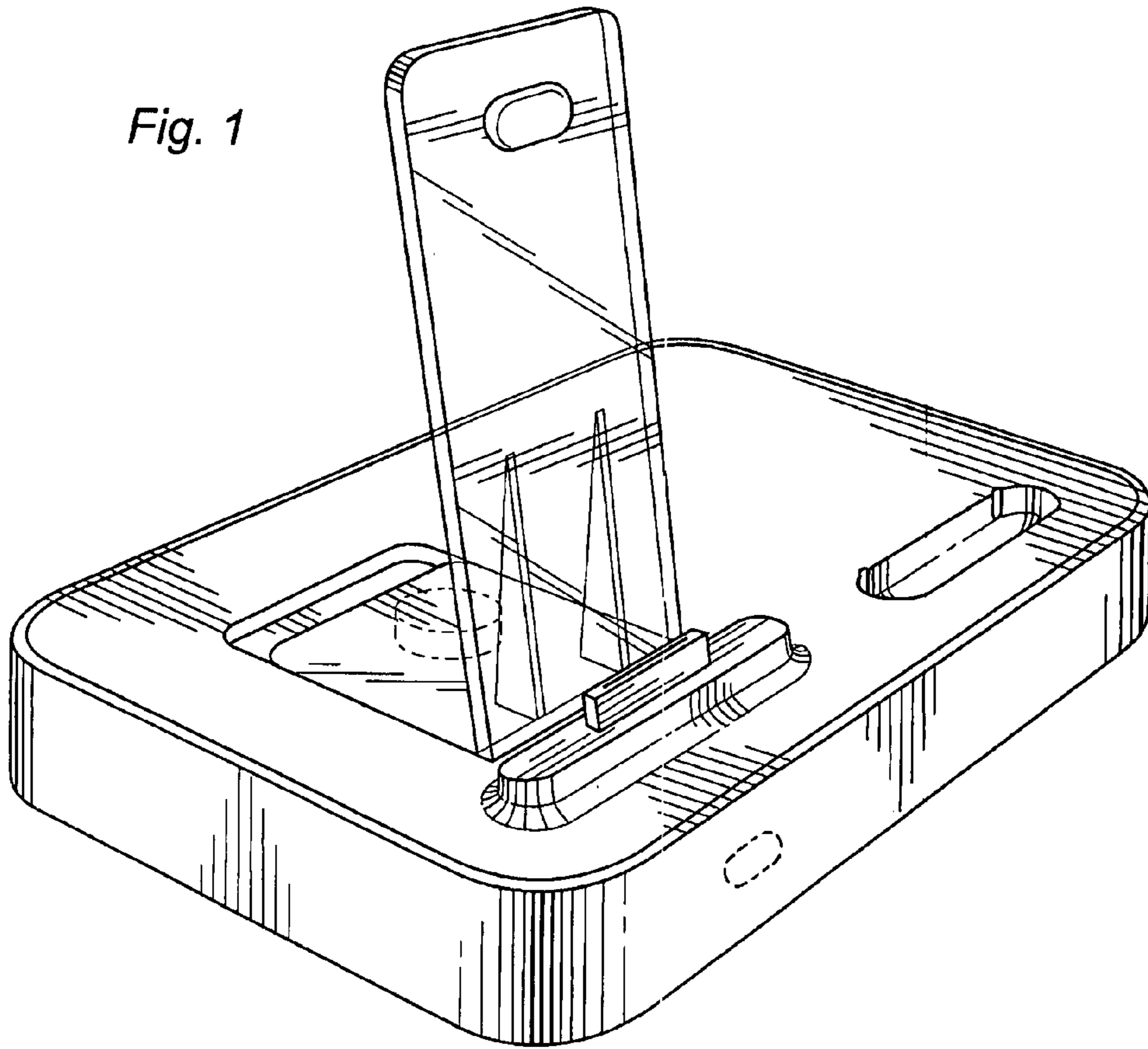


Fig. 2

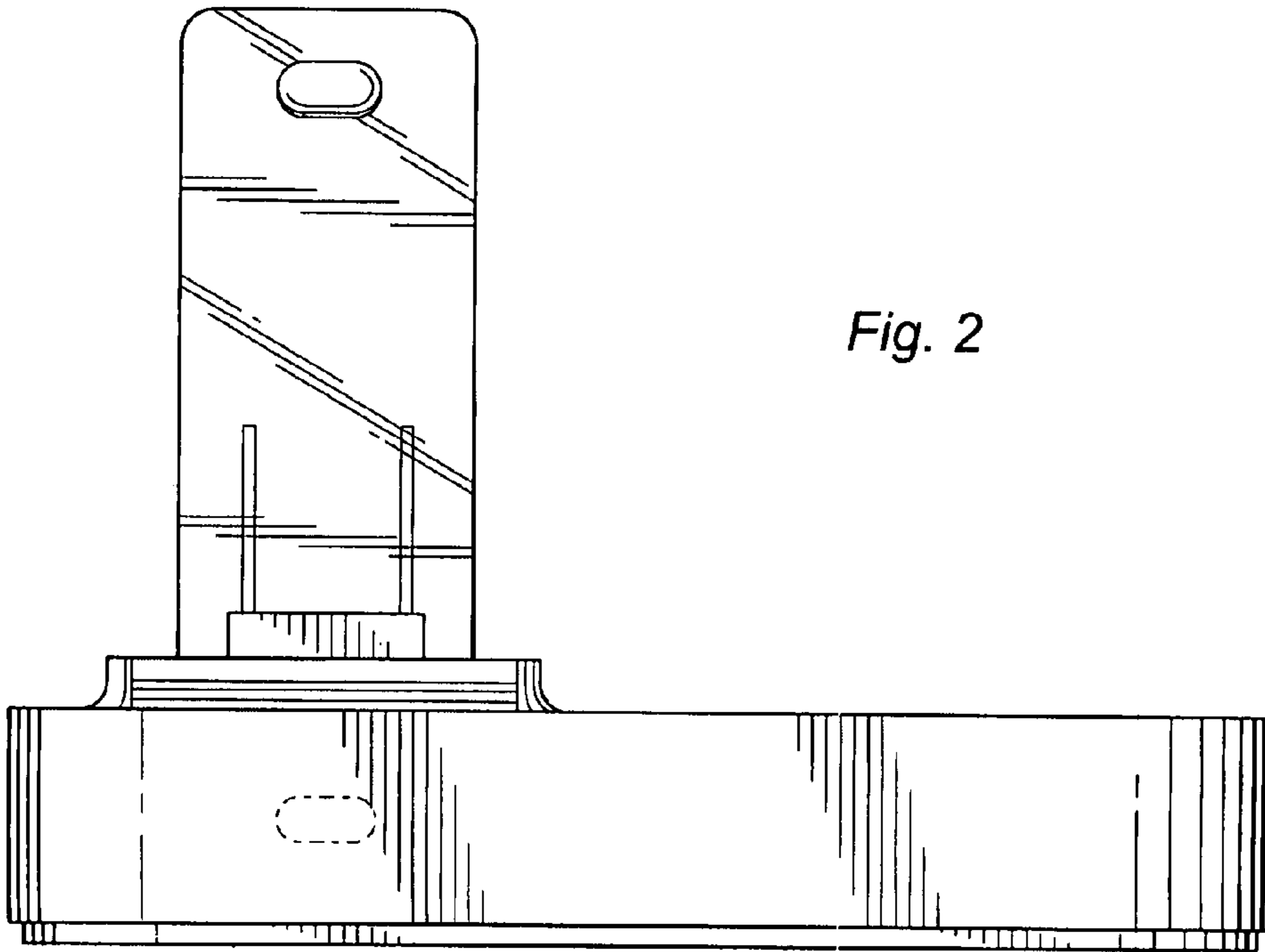


Fig. 3

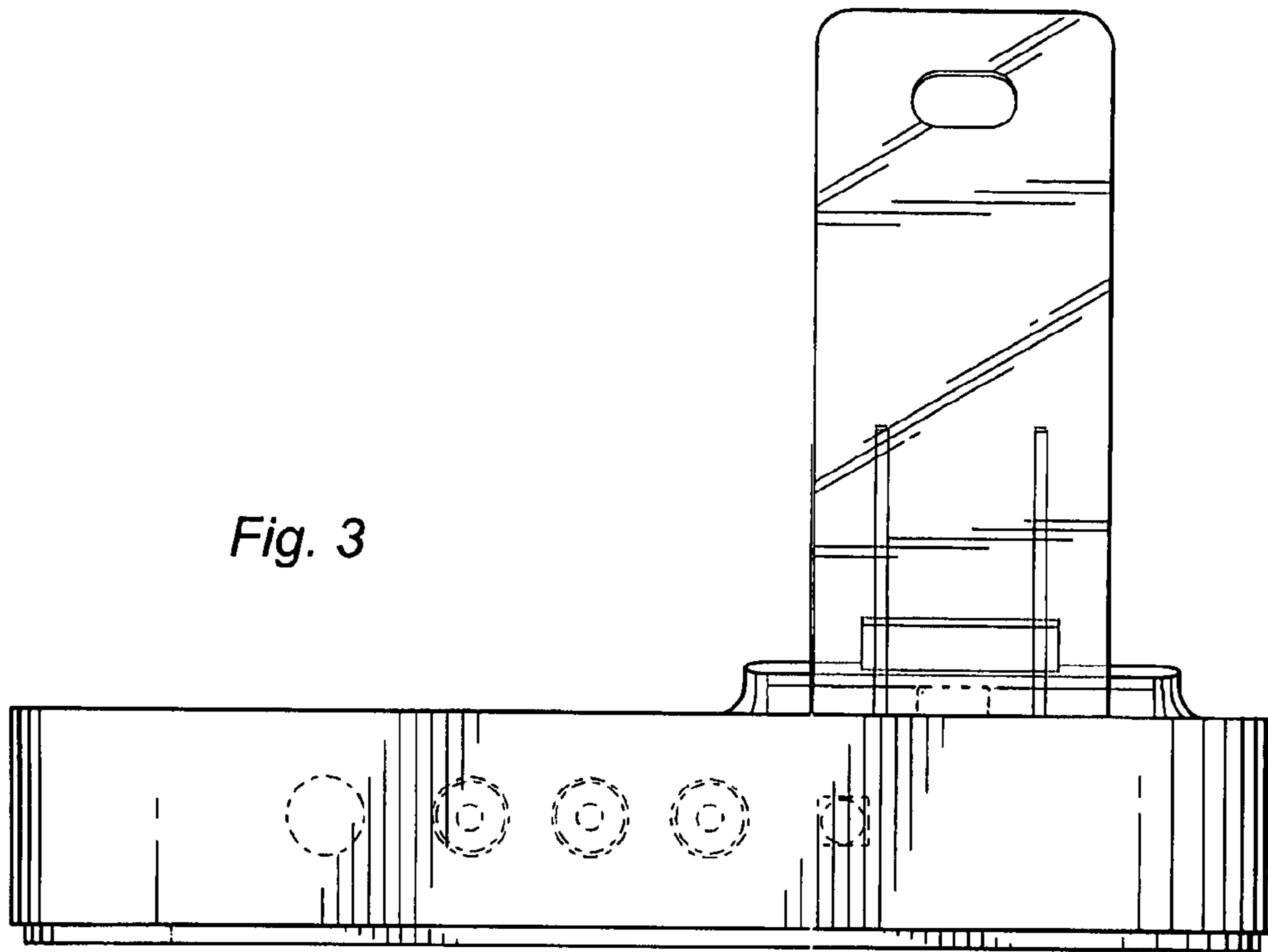
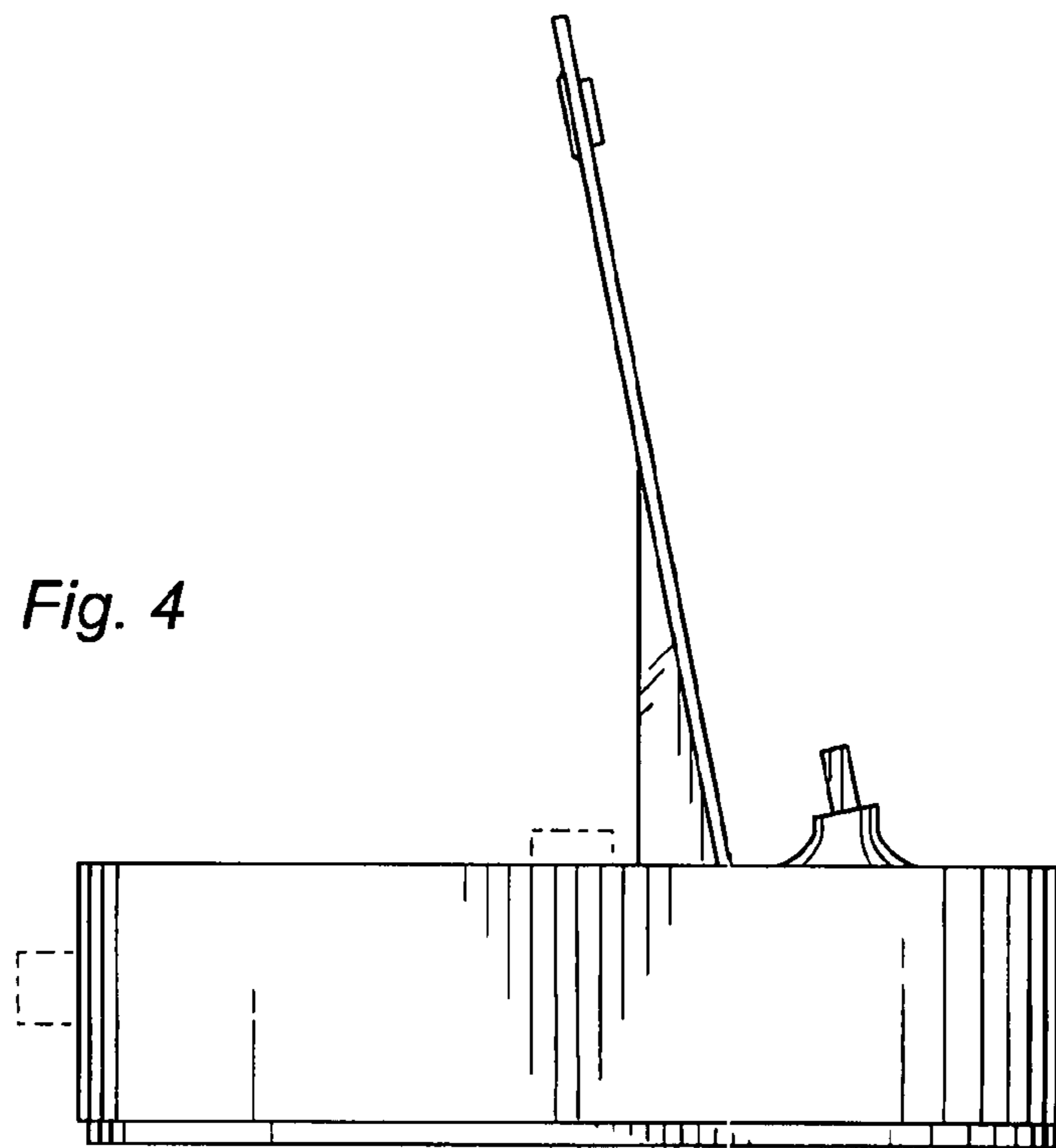


Fig. 4



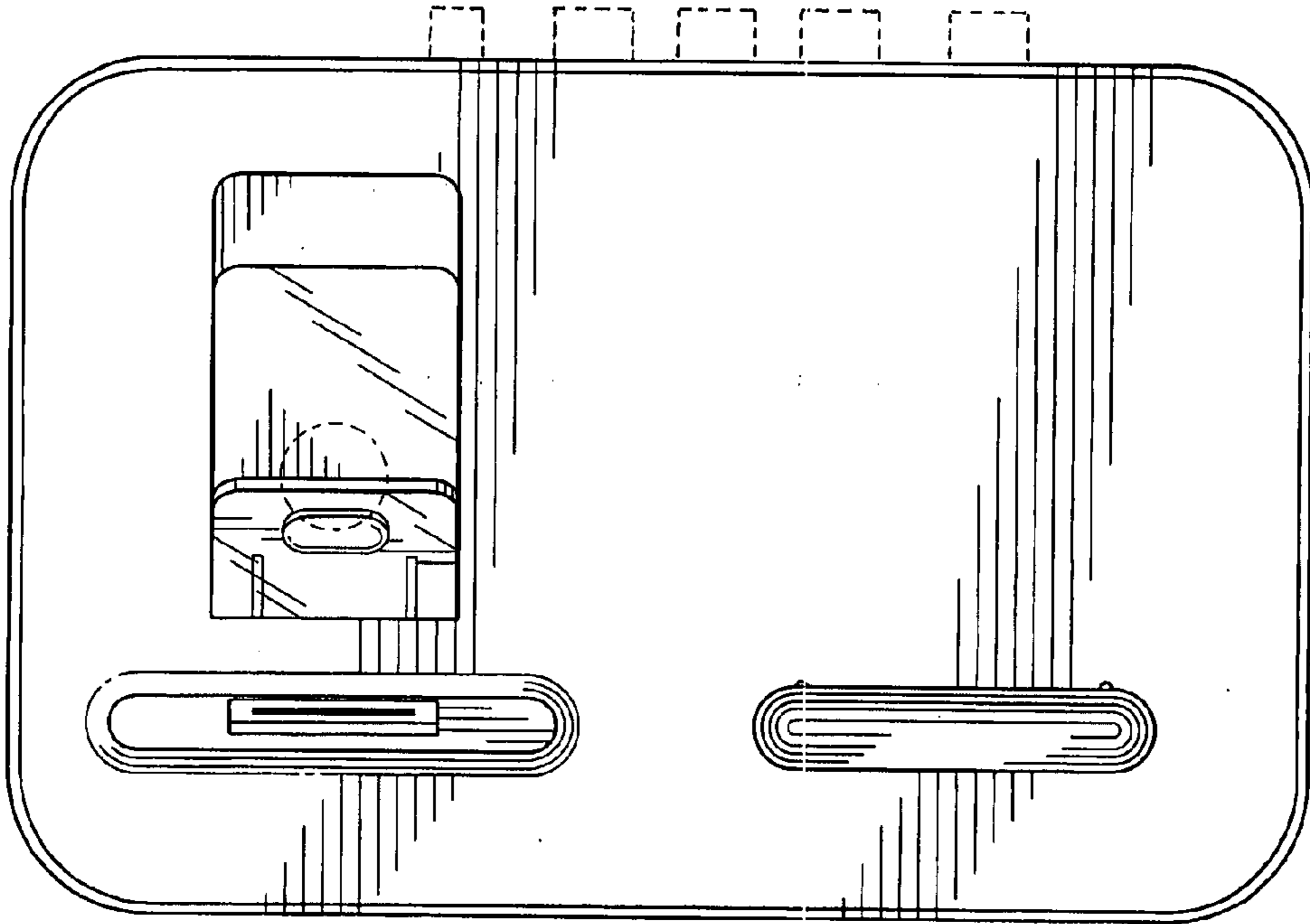


Fig. 5

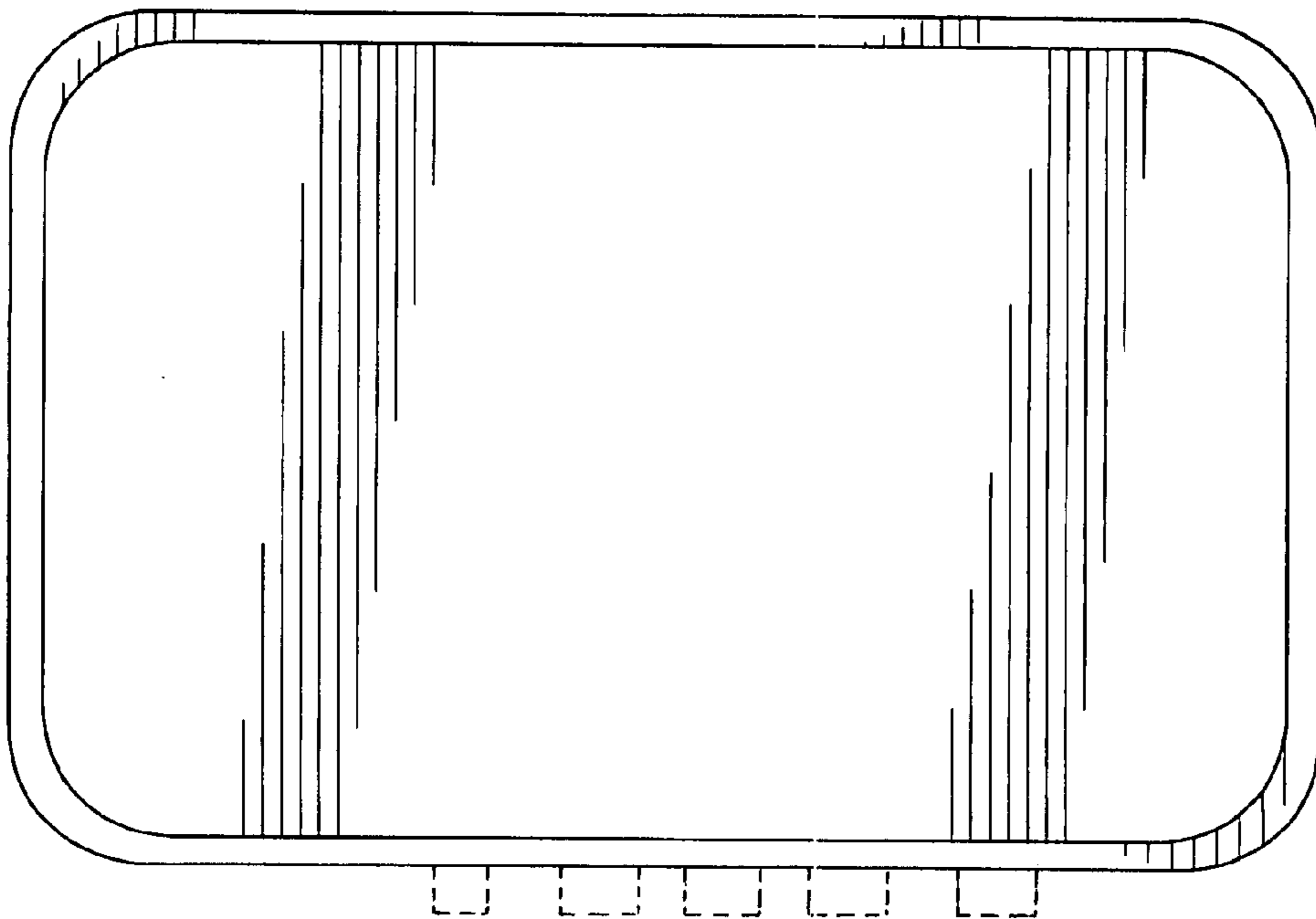


Fig. 6

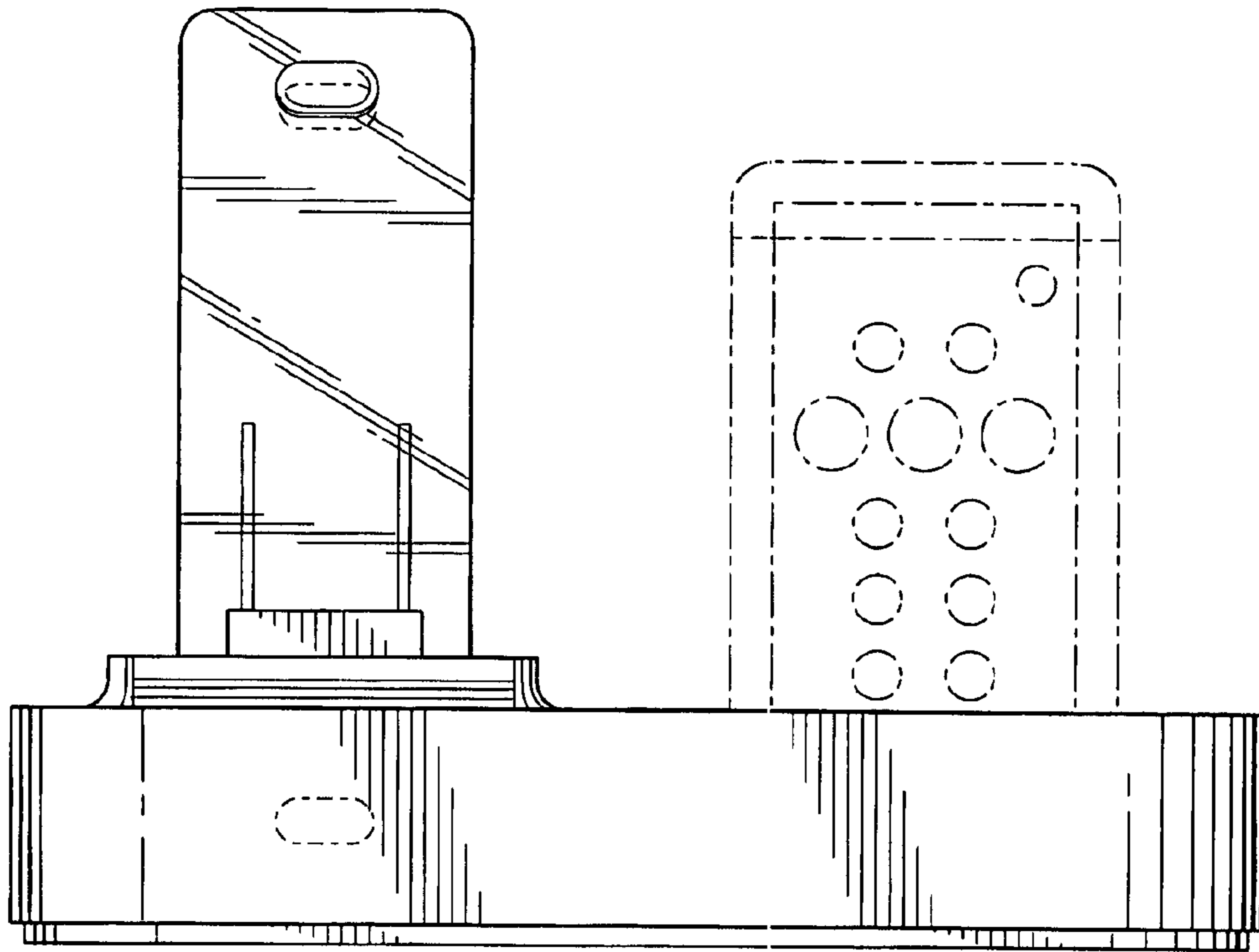


Fig. 7

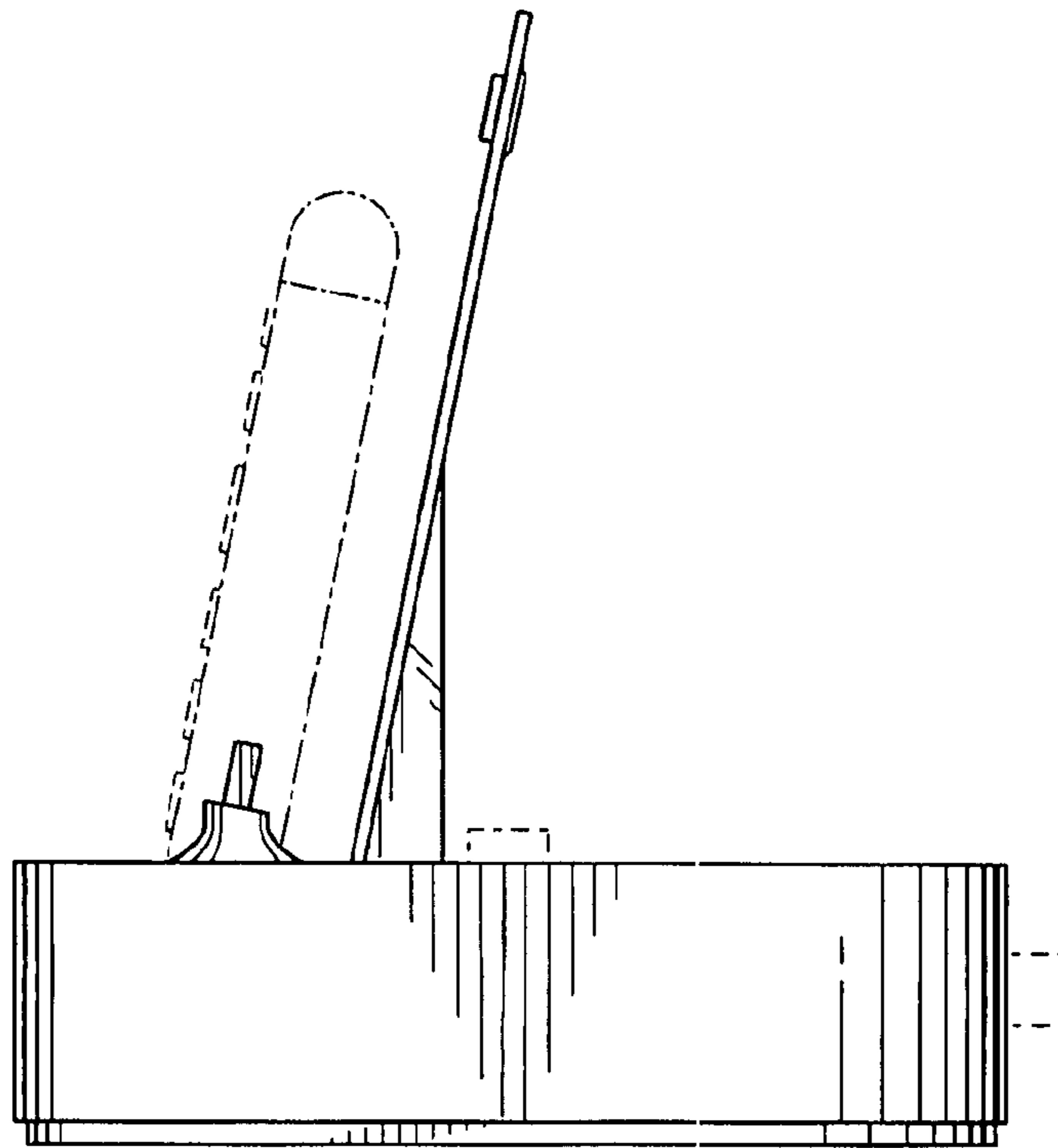


Fig. 8