



US00D554105S

(12) **United States Design Patent**
Langberg et al.

(10) **Patent No.:** **US D554,105 S**

(45) **Date of Patent:** **** Oct. 30, 2007**

(54) **PORTABLE MEDIA REPRODUCTION SYSTEM**

(75) Inventors: **Eric Aaron Langberg**, Milford, PA (US); **Toshihide Hokari**, Oak Ridge, NJ (US); **Jeremiah Peter O'Leary**, Chicago, IL (US)

(73) Assignee: **Altec Lansing, a division of Plantronics, Inc.**, Milford, PA (US)

(**) Term: **14 Years**

(21) Appl. No.: **29/255,175**

(22) Filed: **Mar. 7, 2006**

(51) **LOC (8) Cl.** **14-01**

(52) **U.S. Cl.** **D14/214; D14/217**

(58) **Field of Classification Search** D14/204, D14/207, 214, 217, 156, 168, 172, 496; 348/14.01, 348/837; 181/143-144, 147-148, 150, 157, 181/198-199, 151, 153; 381/300-302, 306, 381/333, 345, 361-364, 386-388, 332, 336; 725/75, 81

See application file for complete search history.

(56) **References Cited**

U.S. PATENT DOCUMENTS

5,825,408	A	*	10/1998	Yuyama et al.	348/14.01
D513,612	S	*	1/2006	Harris et al.	D14/168
D514,090	S	*	1/2006	Carbone et al.	D14/214
D527,018	S	*	8/2006	Christianson	D14/496

* cited by examiner

Primary Examiner—Nanda Bondade
(74) *Attorney, Agent, or Firm*—Richard E. Kurtz; Greenberg Traurig, LLP

(57) **CLAIM**

The ornamental design for a portable media reproduction system, as shown and described.

DESCRIPTION

FIG. 1 is a front elevational view of a portable media reproduction system showing the present design;

FIG. 2 is a front elevational view thereof without the portable media player;

FIG. 3 is a front perspective view thereof, in an open position;

FIG. 4 is a top perspective view thereof;

FIG. 5 is rear perspective view thereof, in a closed condition;

FIG. 6 is a bottom perspective view thereof;

FIG. 7 is a left side perspective view thereof;

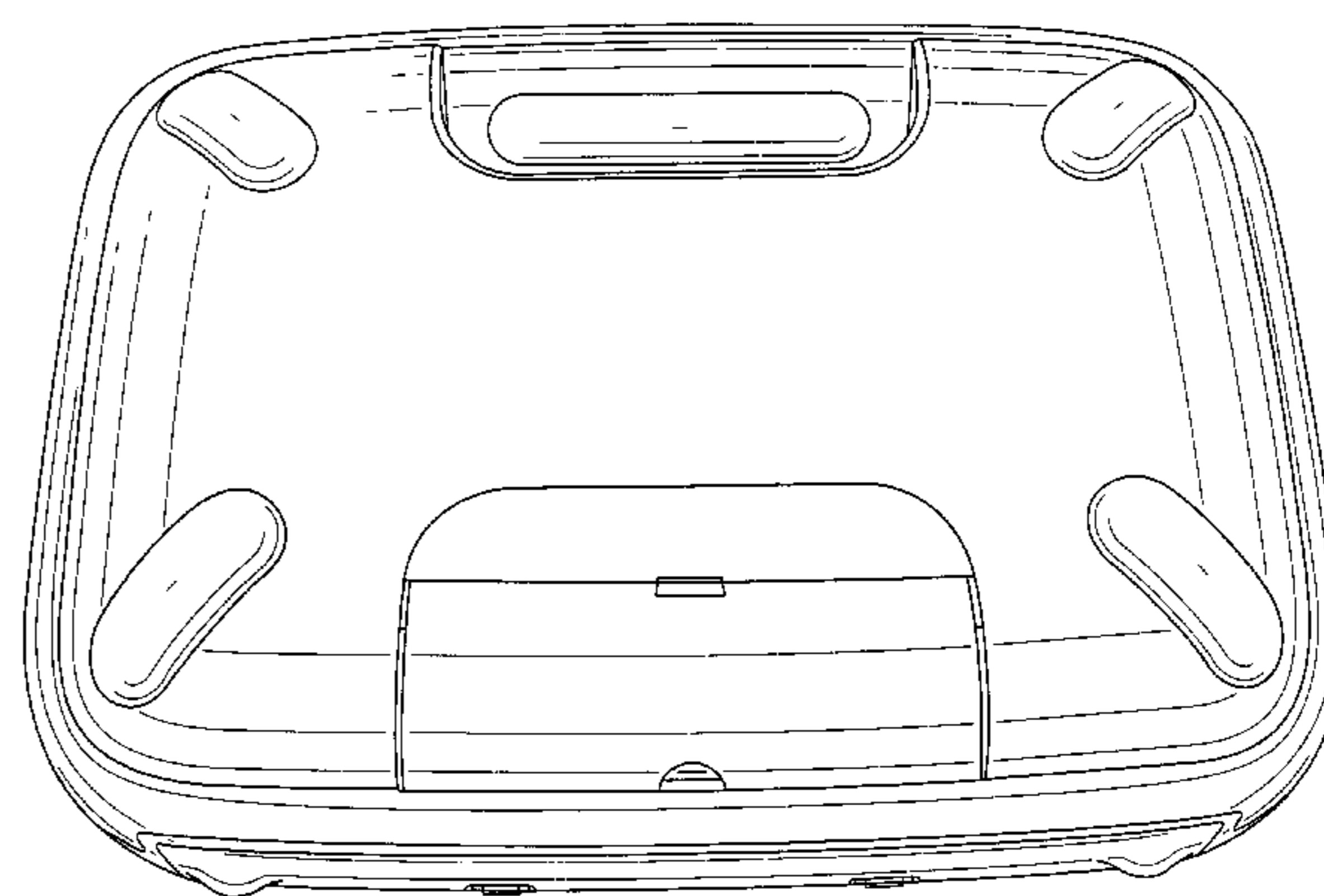
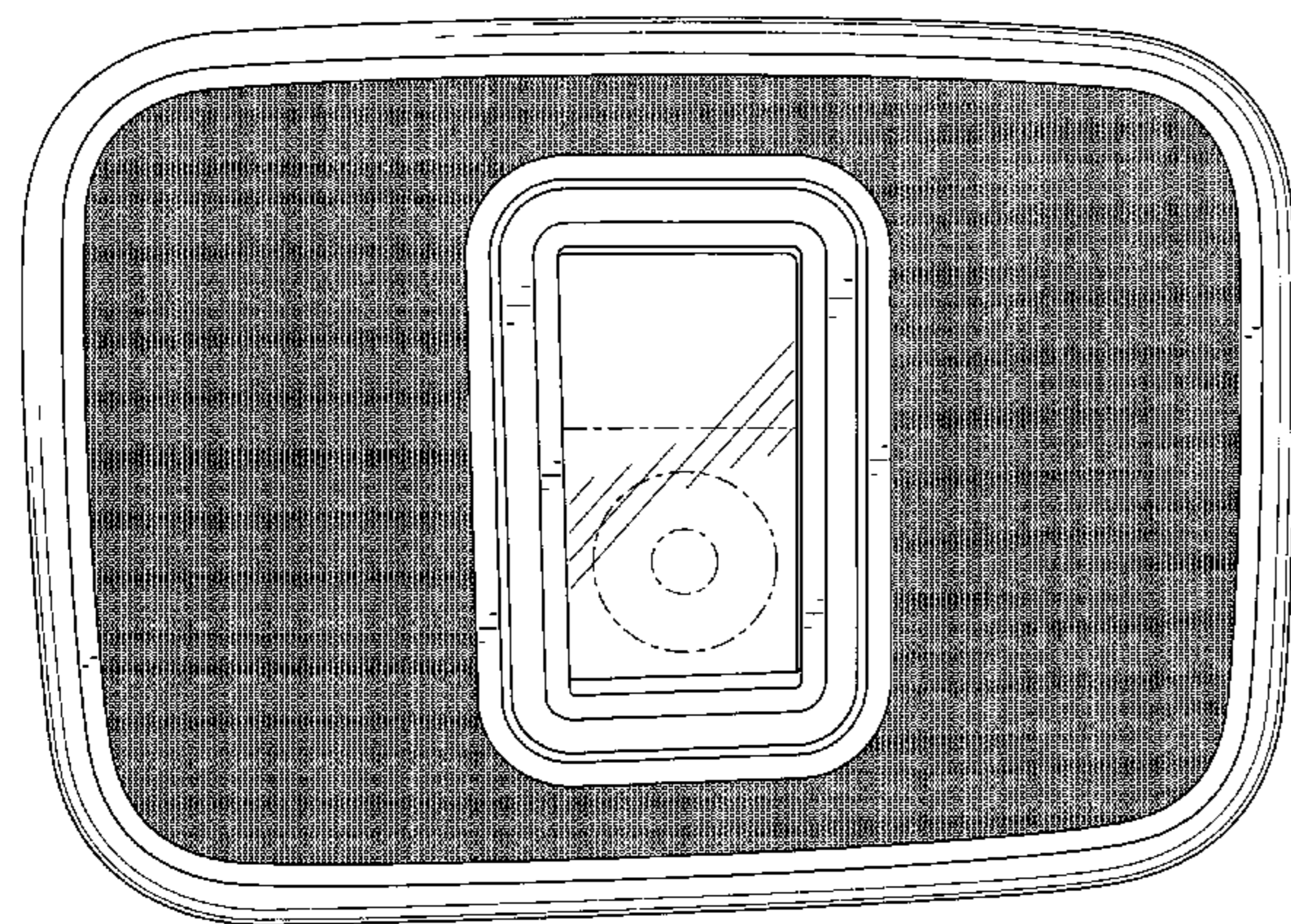
FIG. 8 is a left side perspective view thereof, in an open condition;

FIG. 9 is a right side perspective view thereof, in a closed condition; and,

FIG. 10 is a right side perspective view thereof, in an open condition.

The broken line showing on the drawing disclosure is for illustrative purposes only and forms no part of the claimed design.

1 Claim, 10 Drawing Sheets



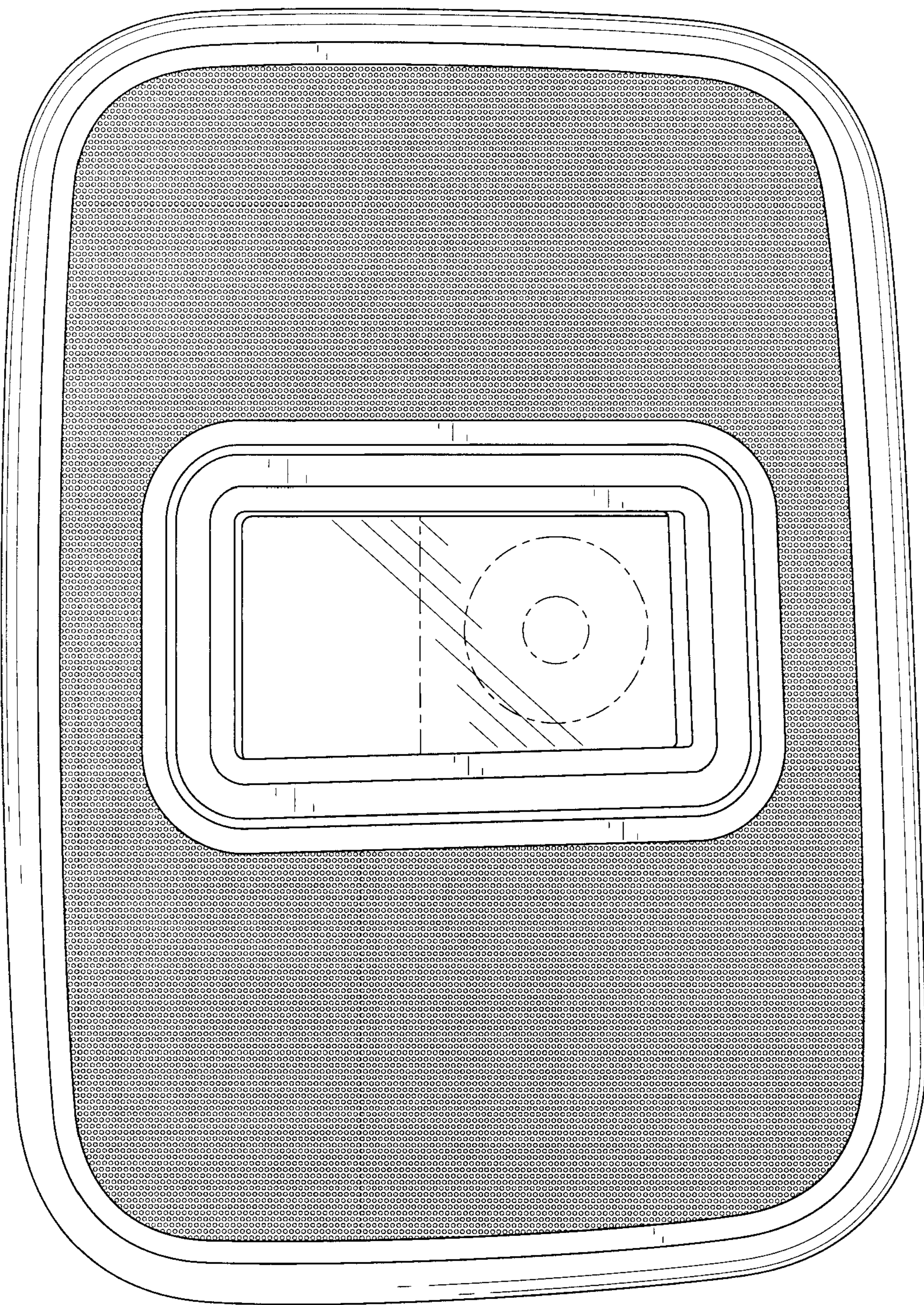


FIG. 1

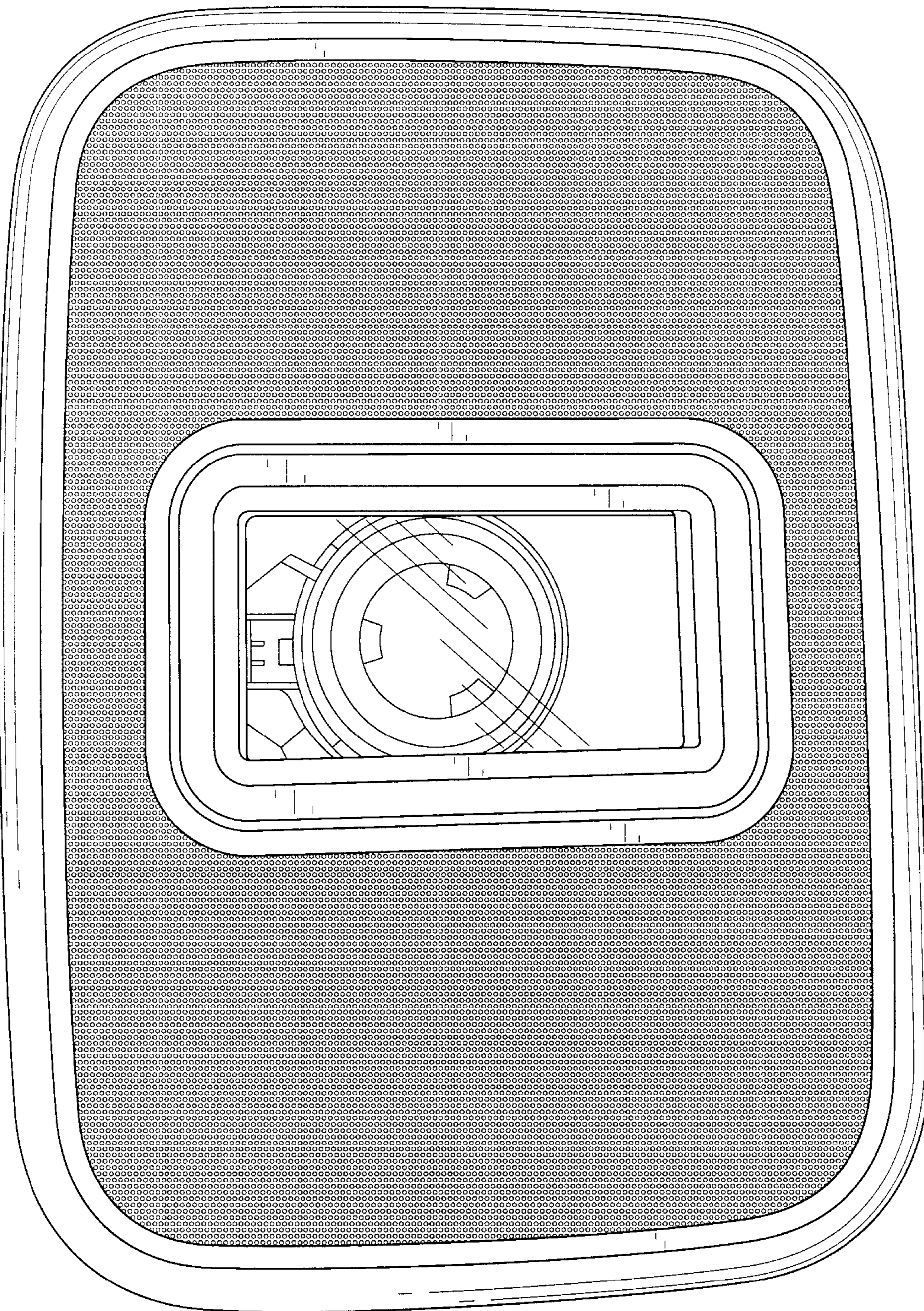


FIG. 2

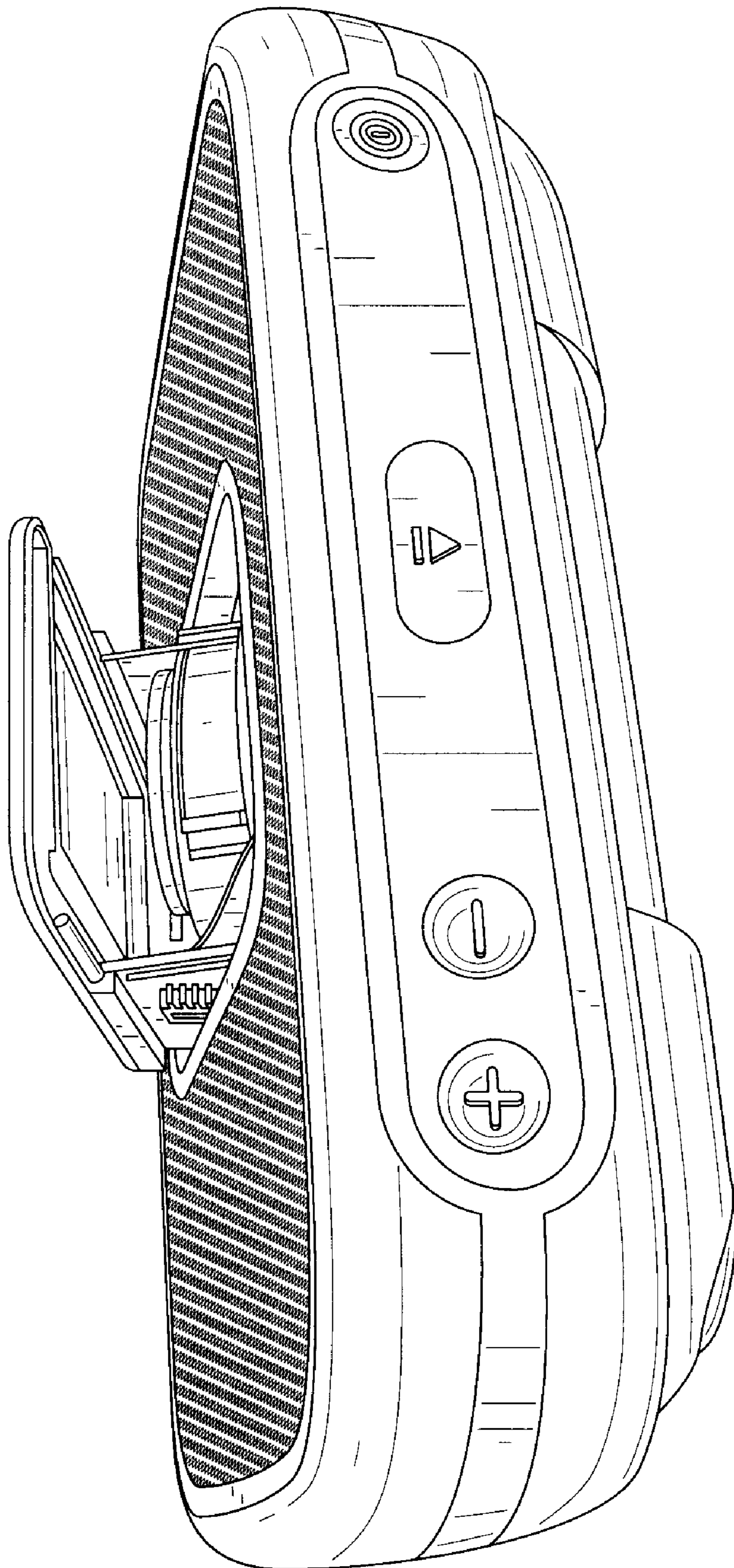


FIG. 3

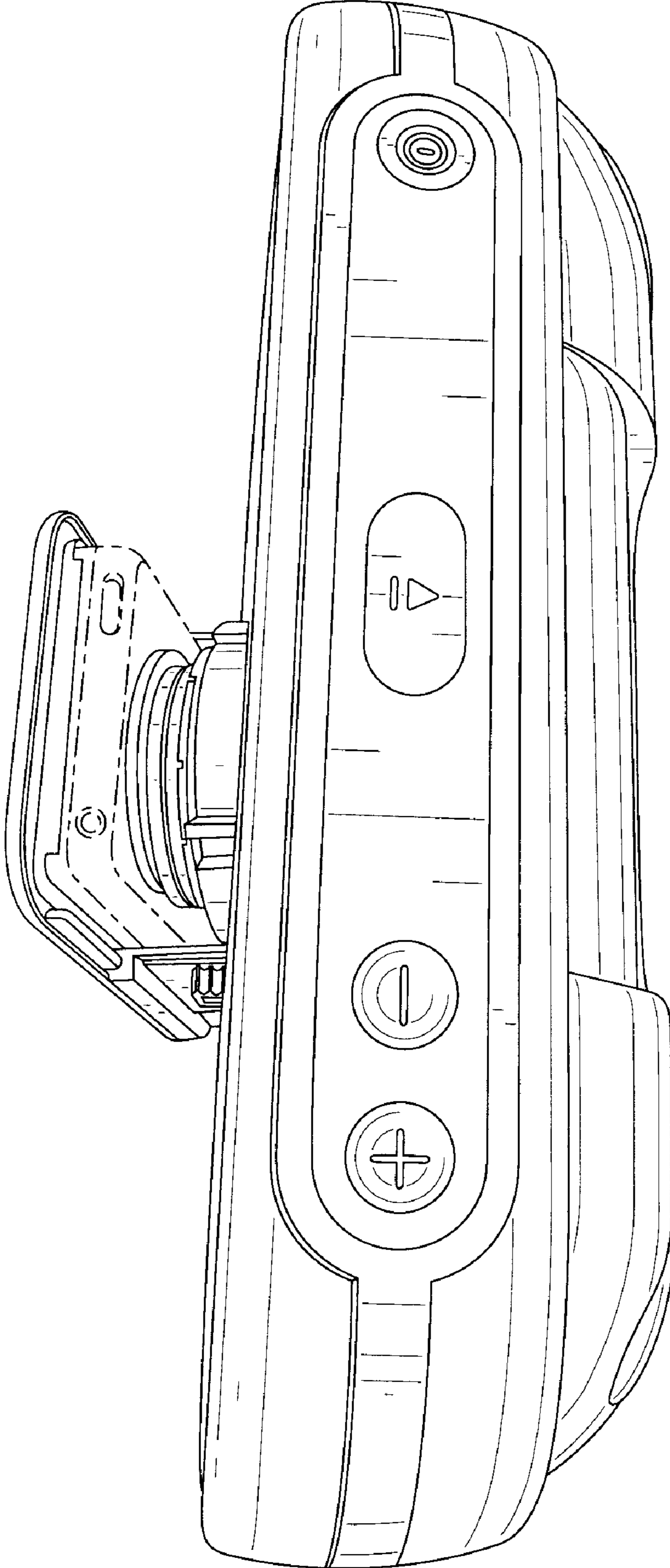


FIG. 4

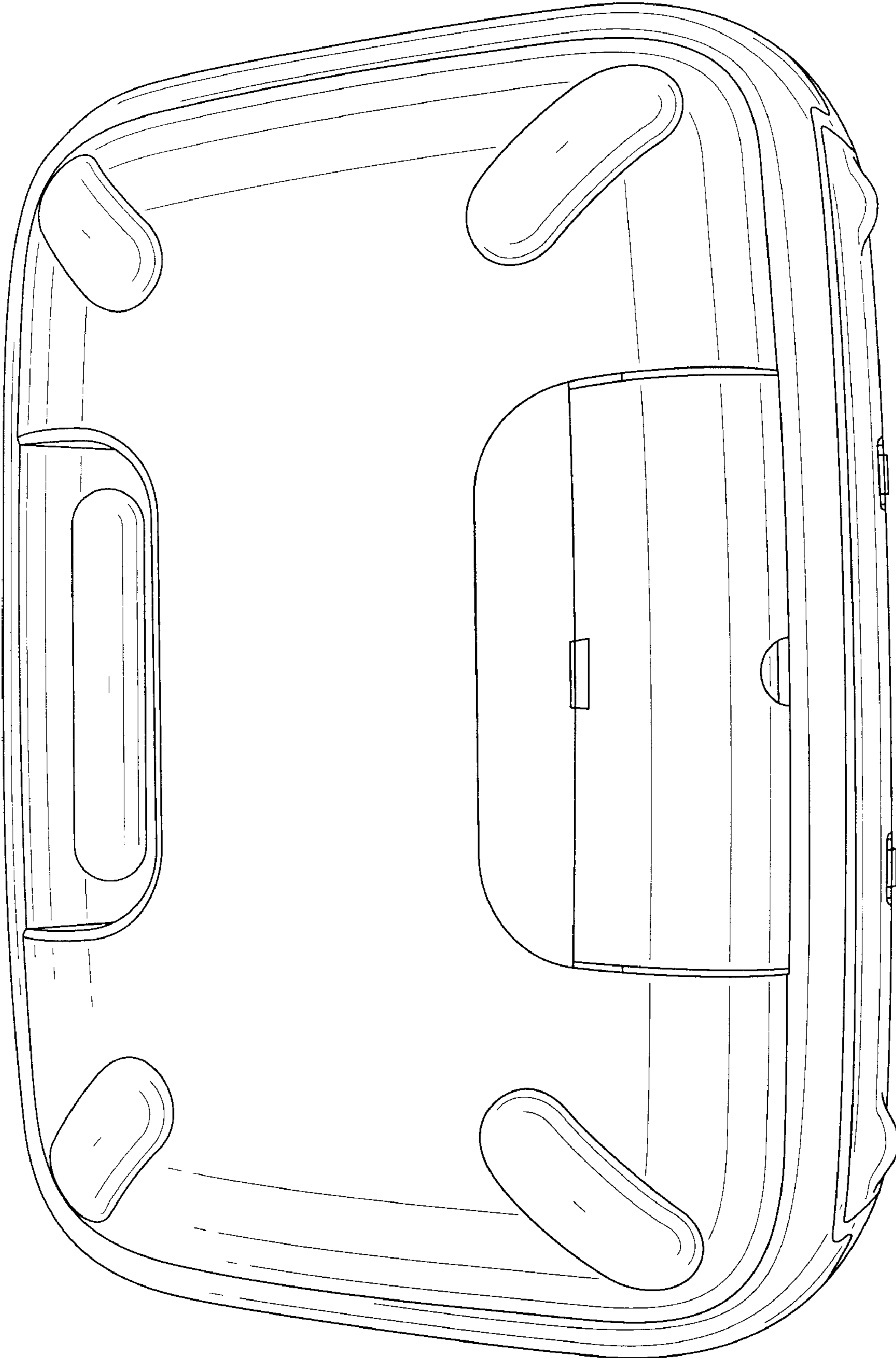


FIG. 5

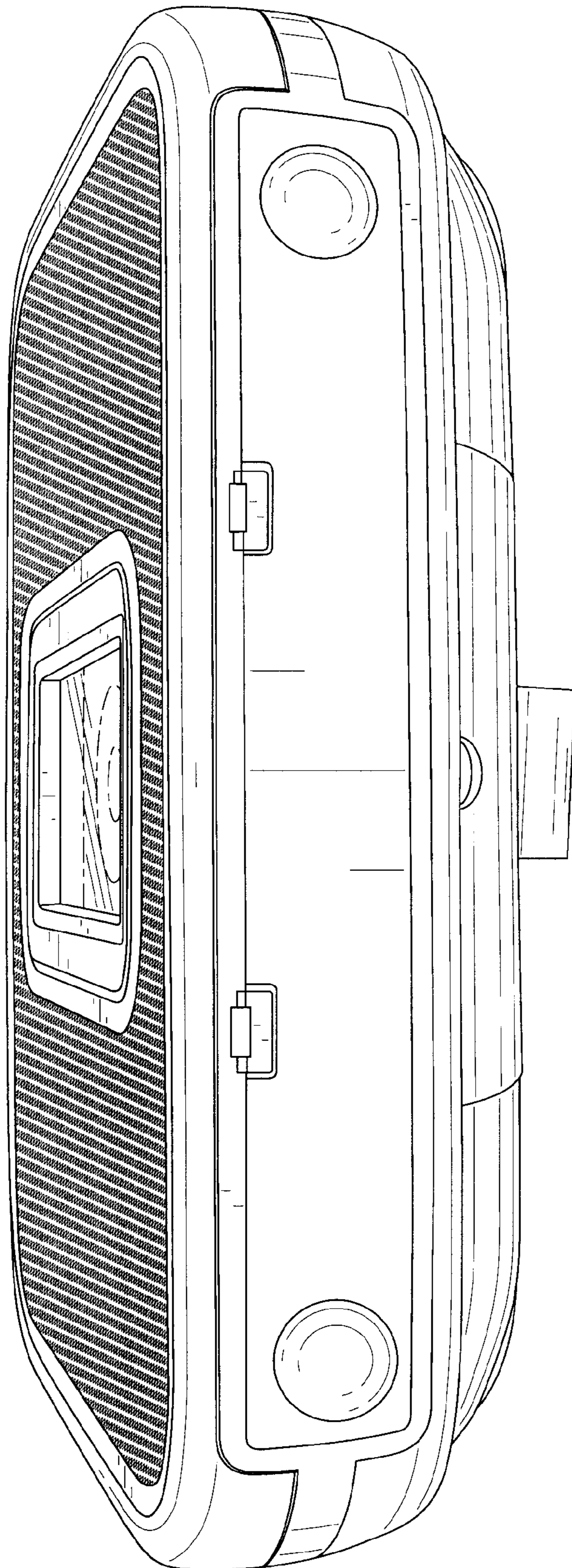


FIG. 6

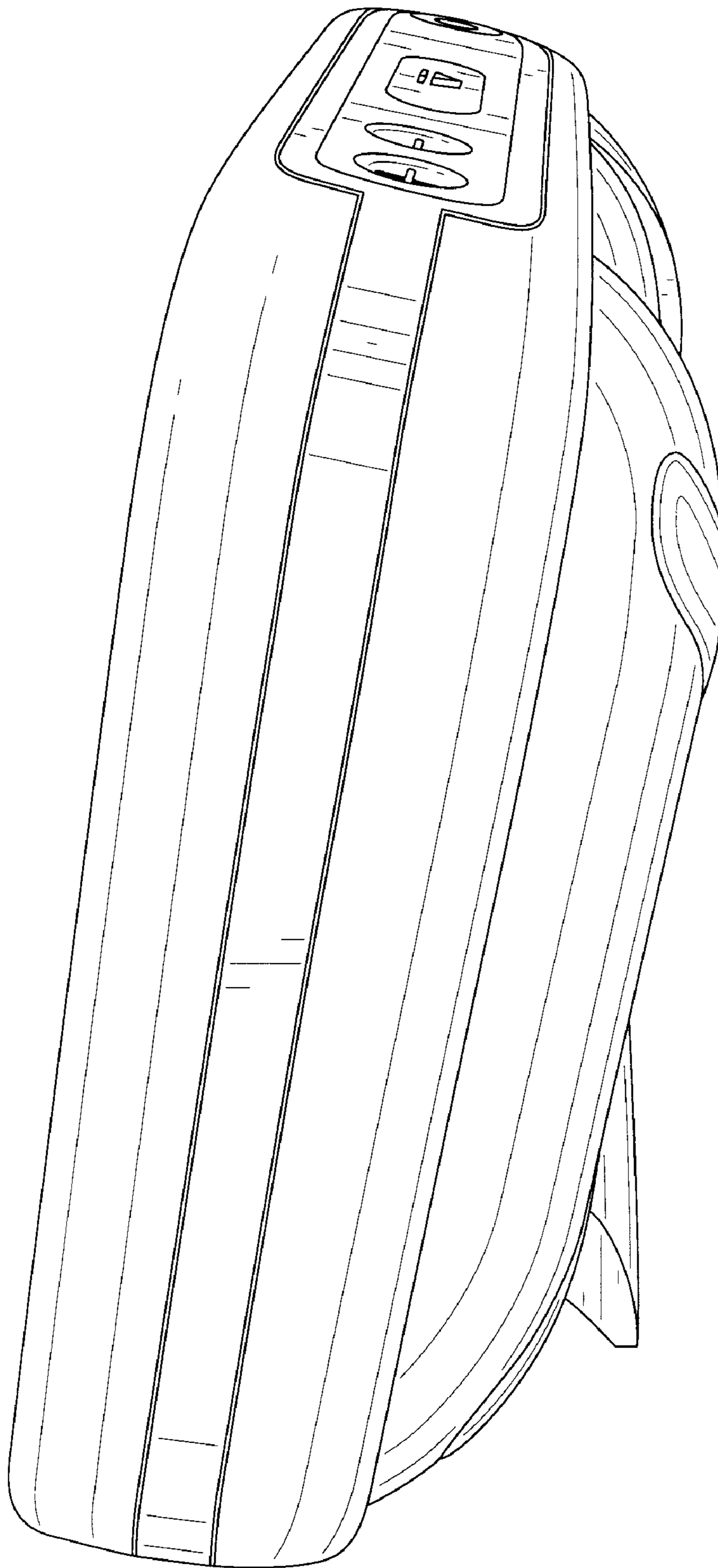


FIG. 7

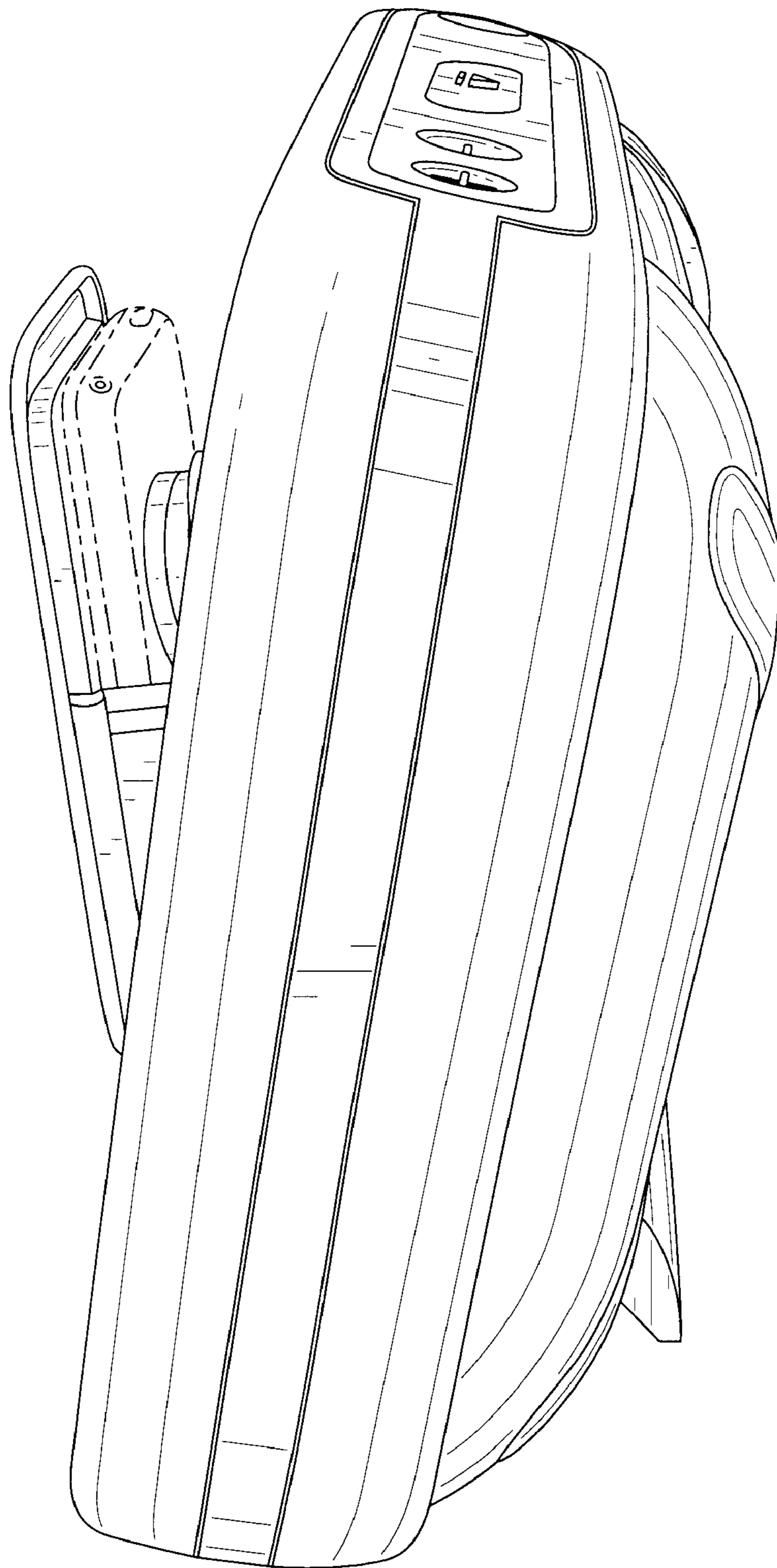


FIG. 8

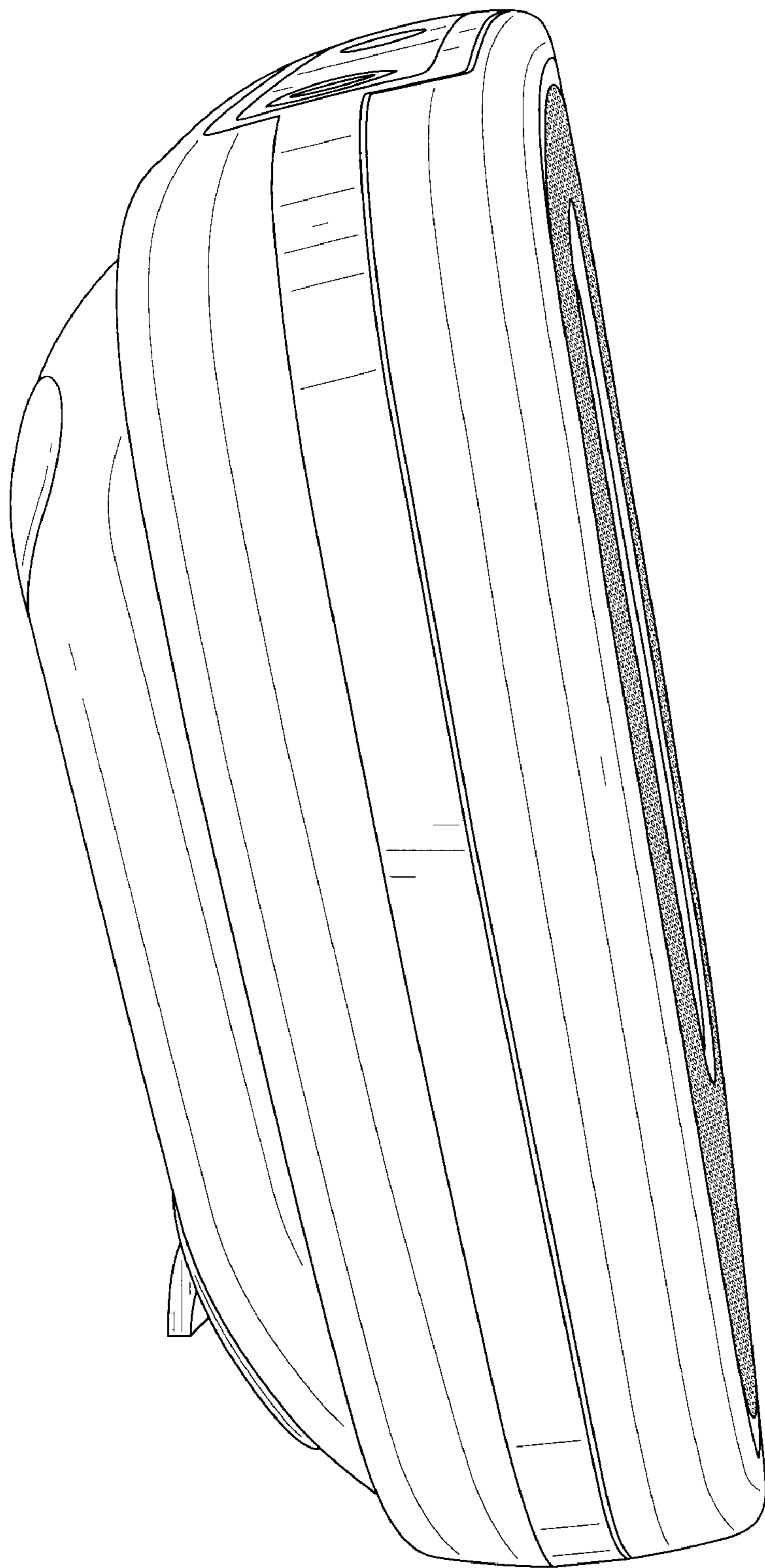


FIG. 9

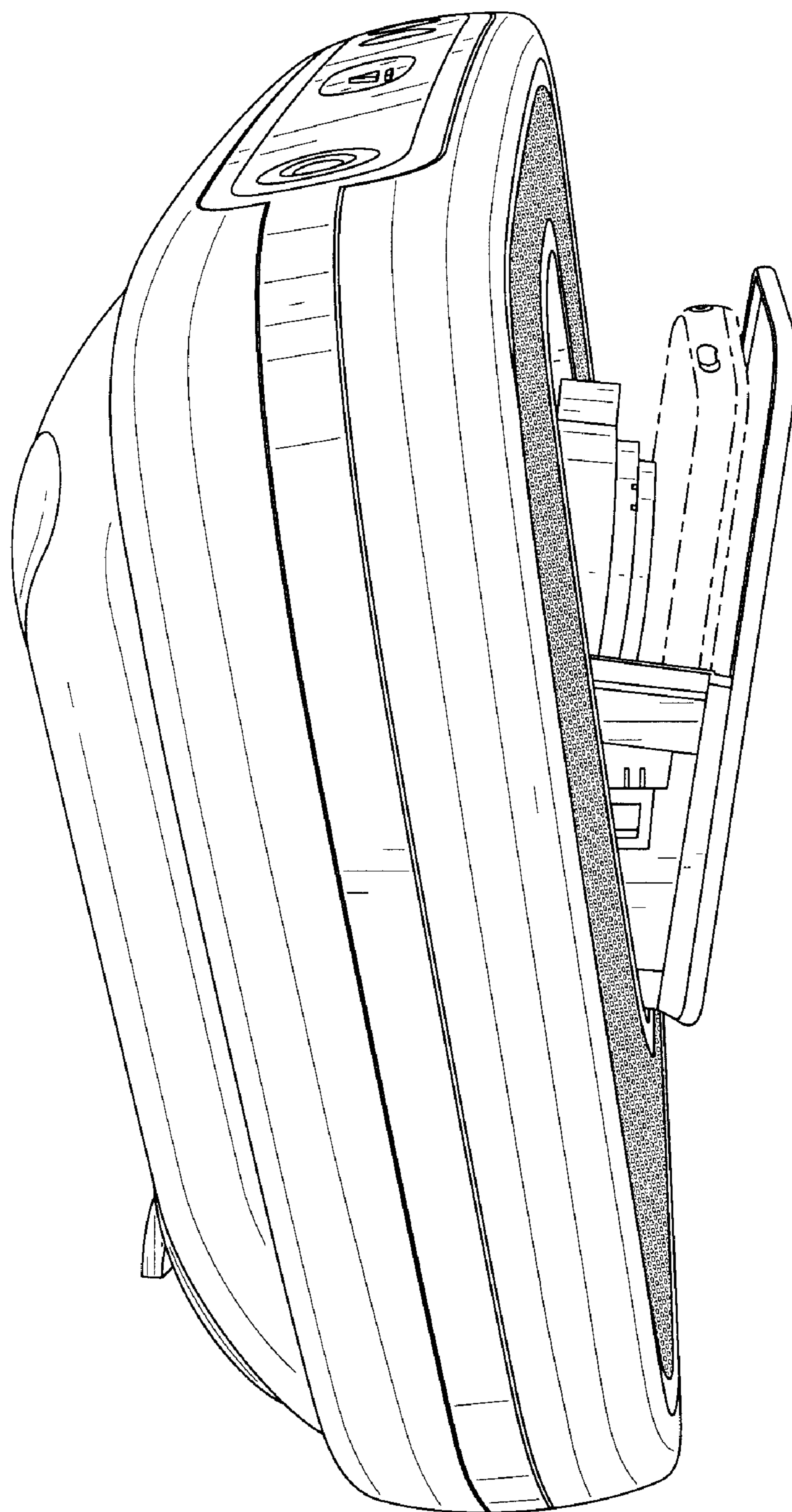


FIG. 10