



US00D554104S

(12) **United States Design Patent**  
**Kurihara**

(10) **Patent No.:** **US D554,104 S**  
(45) **Date of Patent:** **\*\* Oct. 30, 2007**

(54) **SPEAKER BOX**

D514,545 S \* 2/2006 Watanabe ..... D14/168

(75) Inventor: **Daisuke Kurihara**, Tokyo (JP)

**OTHER PUBLICATIONS**

(73) Assignee: **Sony Corporation**, Tokyo (JP)

Web page "T8355J/A" <http://www.amazon.co.jp/exec/obidos/ASIN/B0002UOLU8/250-4602438-2903435>, 2 sheets, Amazon Japan (Nov. 2005).

(\*\*) Term: **14 Years**

Web page "Dock&Play" <http://www.bose-export.com/products/sounddock/index.html>, 3 sheets, BOSE (Nov. 2005).

(21) Appl. No.: **29/251,918**

\* cited by examiner

(22) Filed: **Jan. 17, 2006**

*Primary Examiner*—Nanda Bondade

(51) **LOC (8) Cl.** ..... **14-01**

(74) *Attorney, Agent, or Firm*—Rader, Fishman & Grauer PLLC

(52) **U.S. Cl.** ..... **D14/214**

(58) **Field of Classification Search** ..... D14/204,  
D14/209–216, 217, 171, 168, 156; 181/143–144,  
181/147–148, 150, 157, 198–199, 151, 153;  
381/300–302, 306, 333, 345, 361–364, 386–388,  
381/332, 336

(57) **CLAIM**

See application file for complete search history.

The ornamental design for a speaker box, as shown.

**DESCRIPTION**

(56) **References Cited**

FIG. 1 is a perspective view of a speaker box showing my new design;

**U.S. PATENT DOCUMENTS**

FIG. 2 is a front elevational view thereof;

D351,595 S *	10/1994	Furui	.....	D14/168
D384,069 S *	9/1997	Kokkinis	.....	D14/171
D405,086 S	2/1999	Goto		
D420,352 S *	2/2000	Chan	.....	D14/171
D431,548 S *	10/2000	Rashid et al.	.....	D14/168
D433,006 S *	10/2000	Rashid et al.	.....	D14/156
D461,463 S	8/2002	Oikawa et al.		
D491,166 S	6/2004	Hakoda		
D508,690 S	8/2005	Hioki		

FIG. 3 is a rear elevational view thereof;

FIG. 4 is a left side elevational view thereof;

FIG. 5 is a right side elevational view thereof;

FIG. 6 is a top plan view thereof; and,

FIG. 7 is a bottom plan view thereof.

**1 Claim, 7 Drawing Sheets**

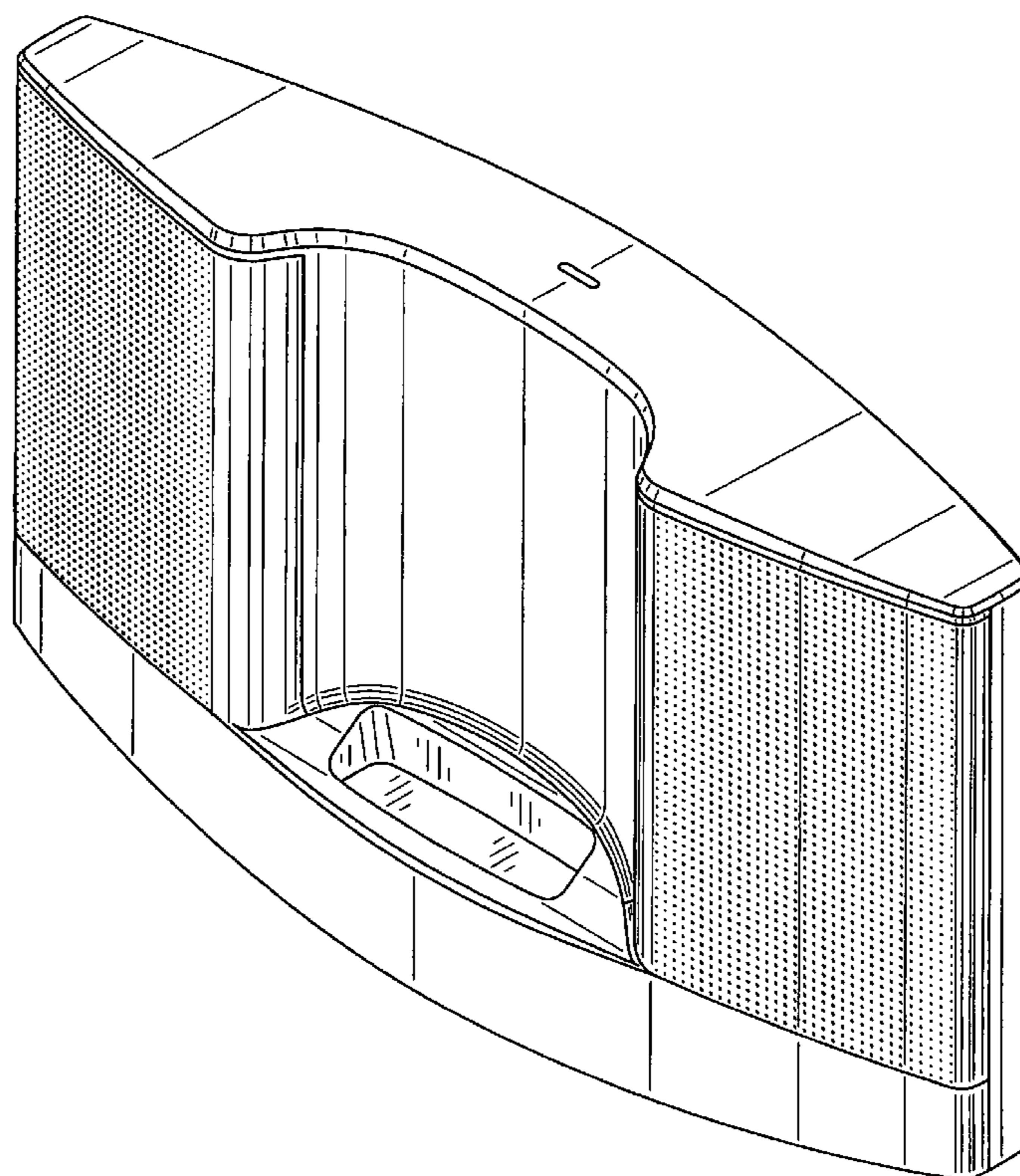


Fig. 1

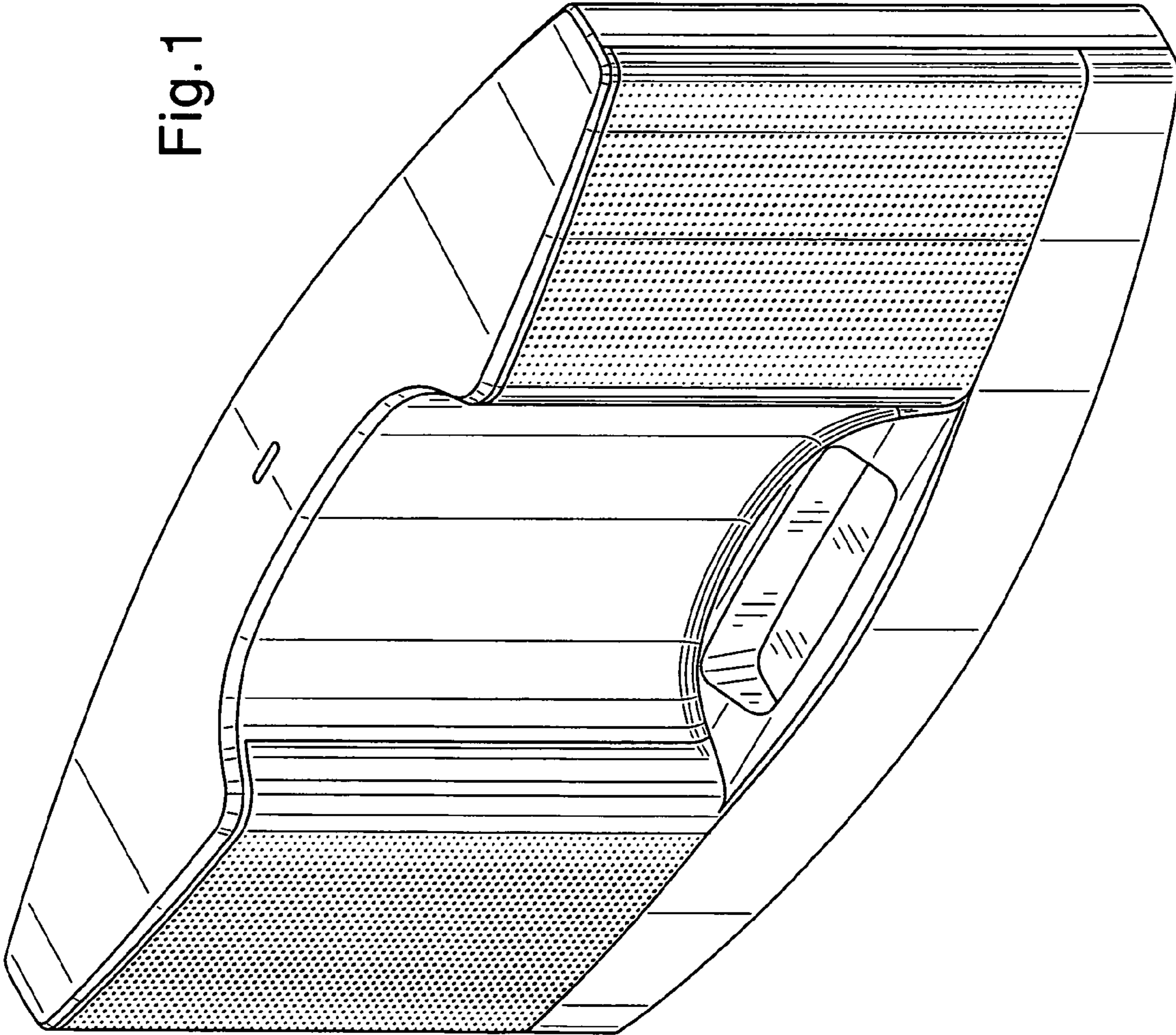


Fig.2

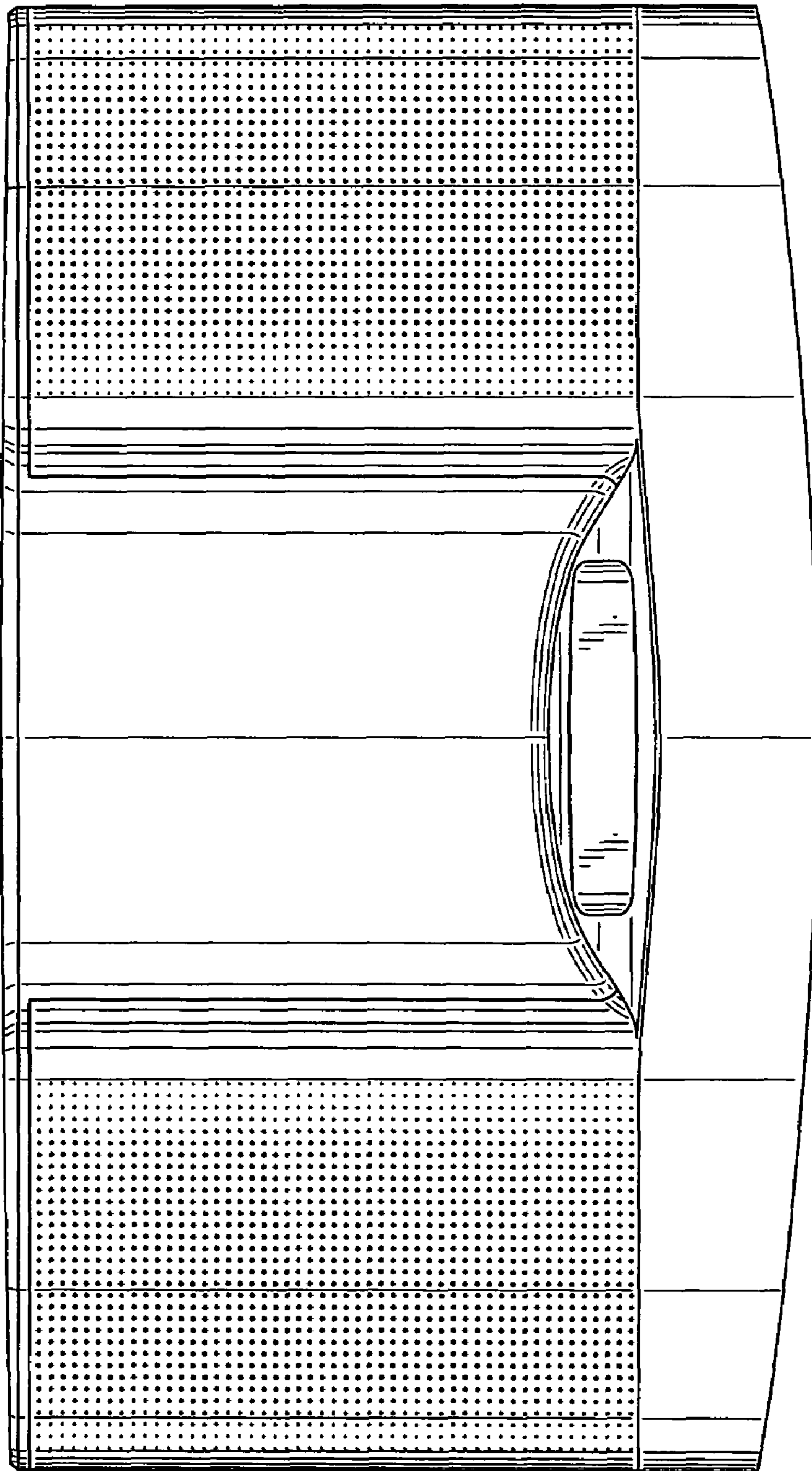


Fig. 3

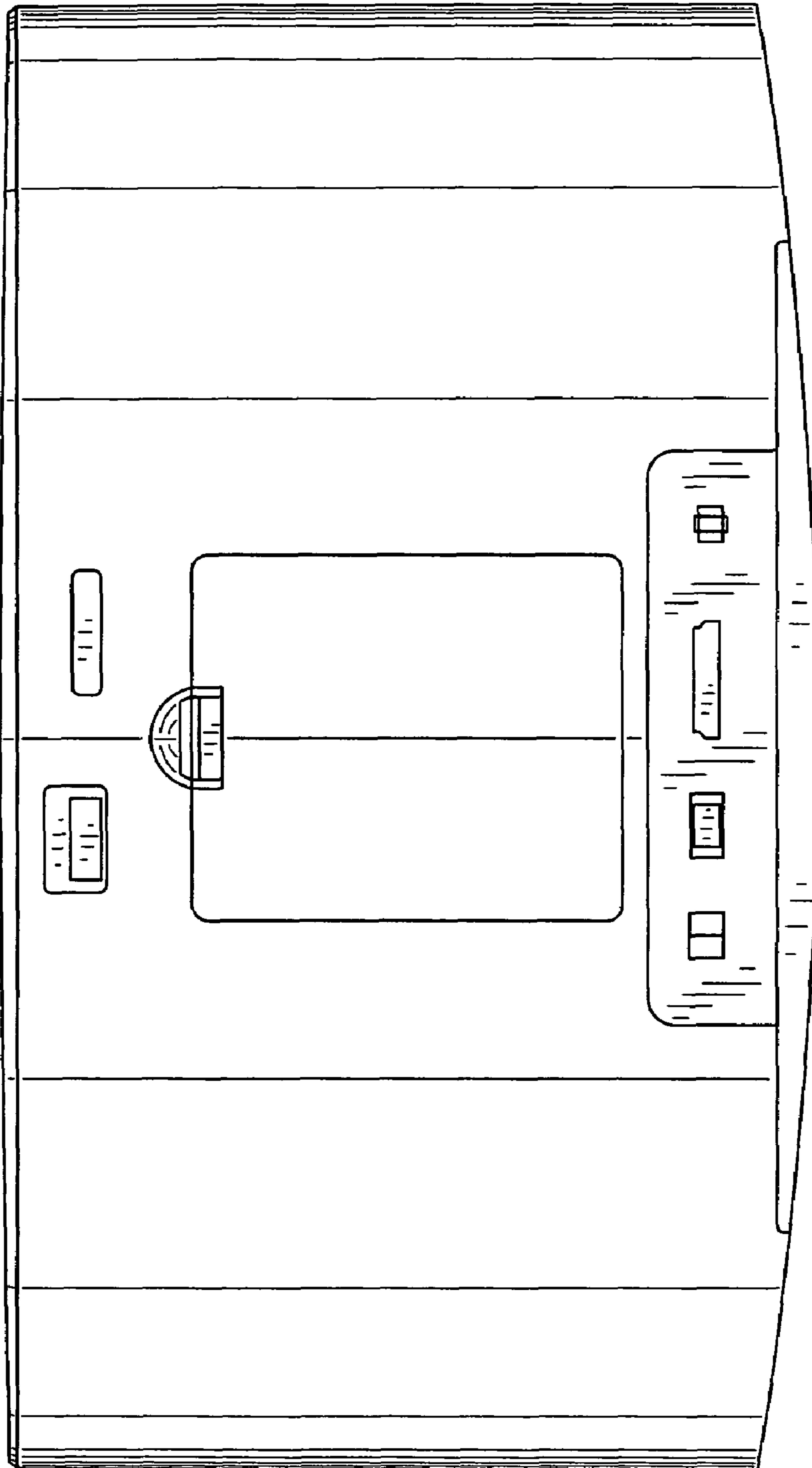


Fig.4

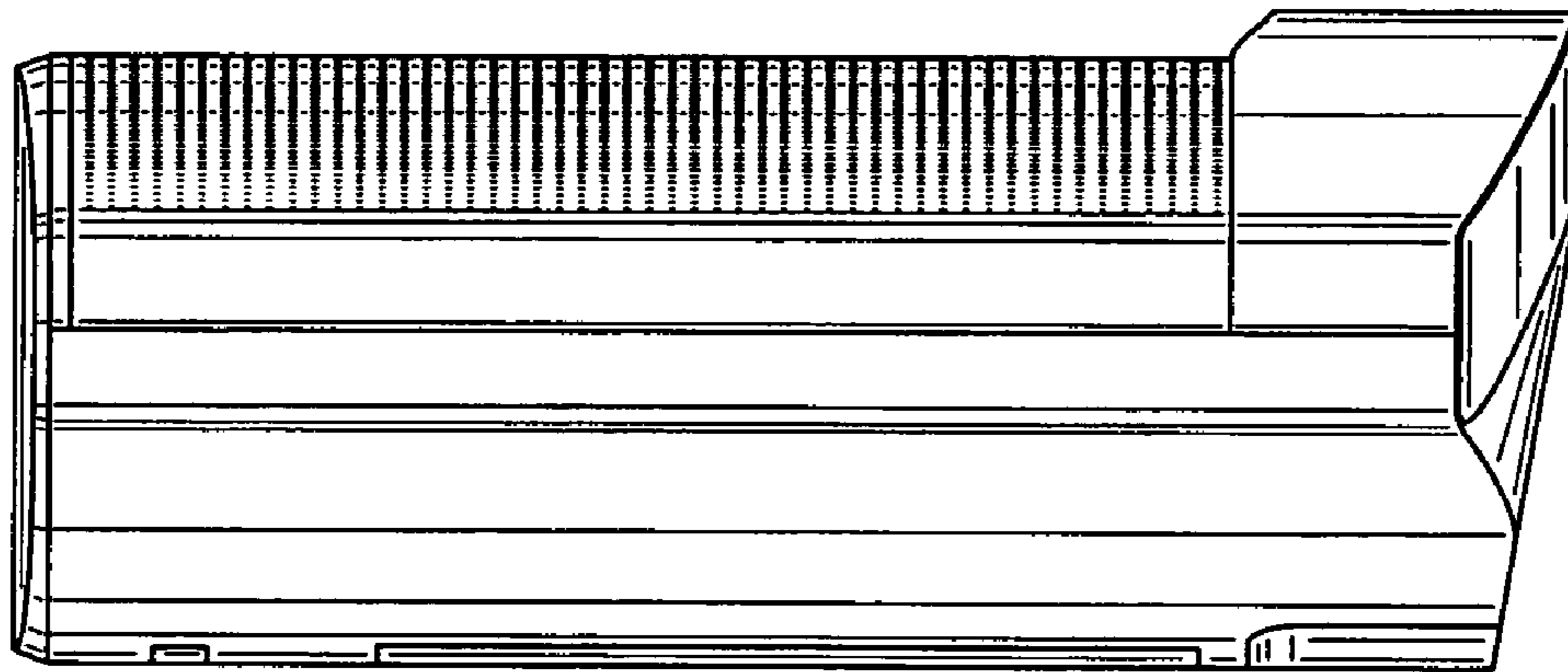


Fig.5

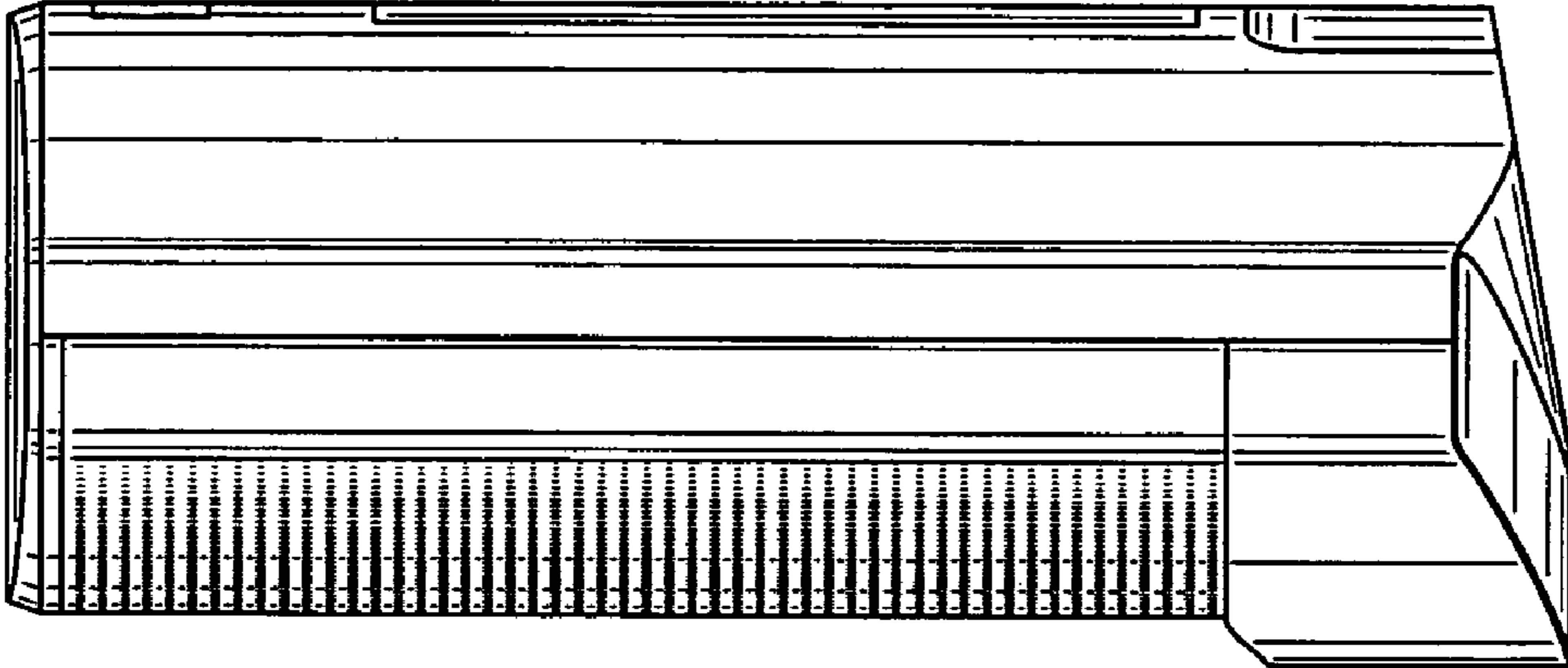


Fig.6

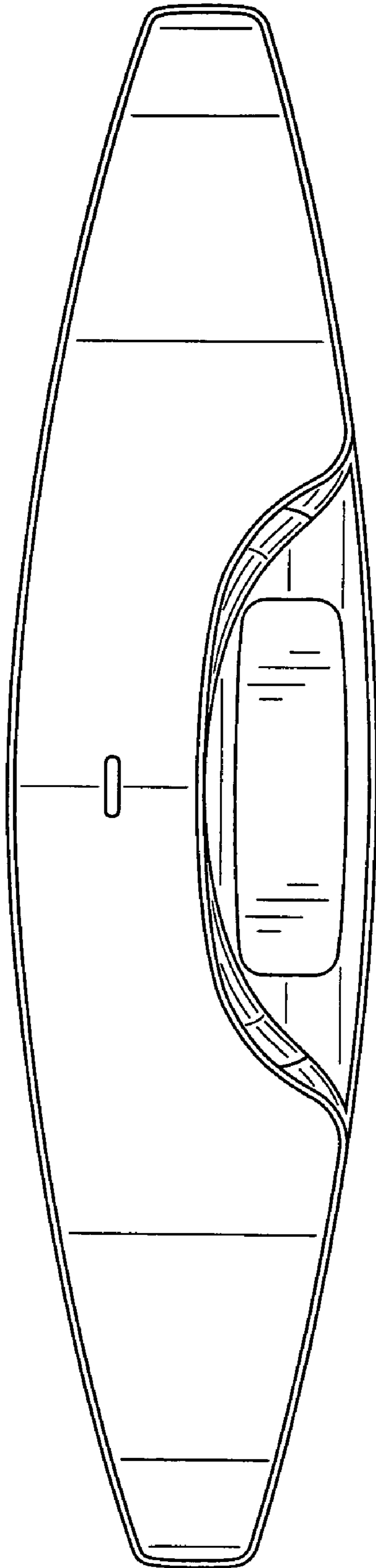


Fig. 7

