



US00D554089S

(12) **United States Design Patent**
Takahashi

(10) **Patent No.:** **US D554,089 S**

(45) **Date of Patent:** **** Oct. 30, 2007**

(54) **DIGITAL DISC PLAYER**

(75) Inventor: **Shinnosuke Takahashi**, Itabashi-ku
(JP)

(73) Assignee: **Clarion Co., Ltd.**, Tokyo (JP)

(**) Term: **14 Years**

(21) Appl. No.: **29/264,439**

(22) Filed: **Aug. 10, 2006**

(51) **LOC (8) Cl.** **14-01**

(52) **U.S. Cl.** **D14/136**

(58) **Field of Classification Search** D14/135–136,
D14/156–157, 257–258, 198, 188, 496; 360/99.02,
360/99.07; 369/75.11, 75.21, 77.21, 77.11;
720/612, 619, 647, 655; 455/344, 347–351
See application file for complete search history.

(56) **References Cited**

U.S. PATENT DOCUMENTS

- D475,691 S * 6/2003 Nishii et al. D14/157
- D482,014 S * 11/2003 Hakoda et al. D14/157
- D487,448 S * 3/2004 Sadatsuki D14/157

D517,035 S * 3/2006 Sogabe D14/136

* cited by examiner

Primary Examiner—Nanda Bondade

(74) *Attorney, Agent, or Firm*—Oliff & Berridge, PLC

(57) **CLAIM**

The ornamental design for a digital disc player, as shown and described.

DESCRIPTION

FIG. 1 is a perspective view of a digital disc player;

FIG. 2 is a front view thereof;

FIG. 3 is a rear view thereof;

FIG. 4 is a right-side view thereof;

FIG. 5 is a left-side view thereof;

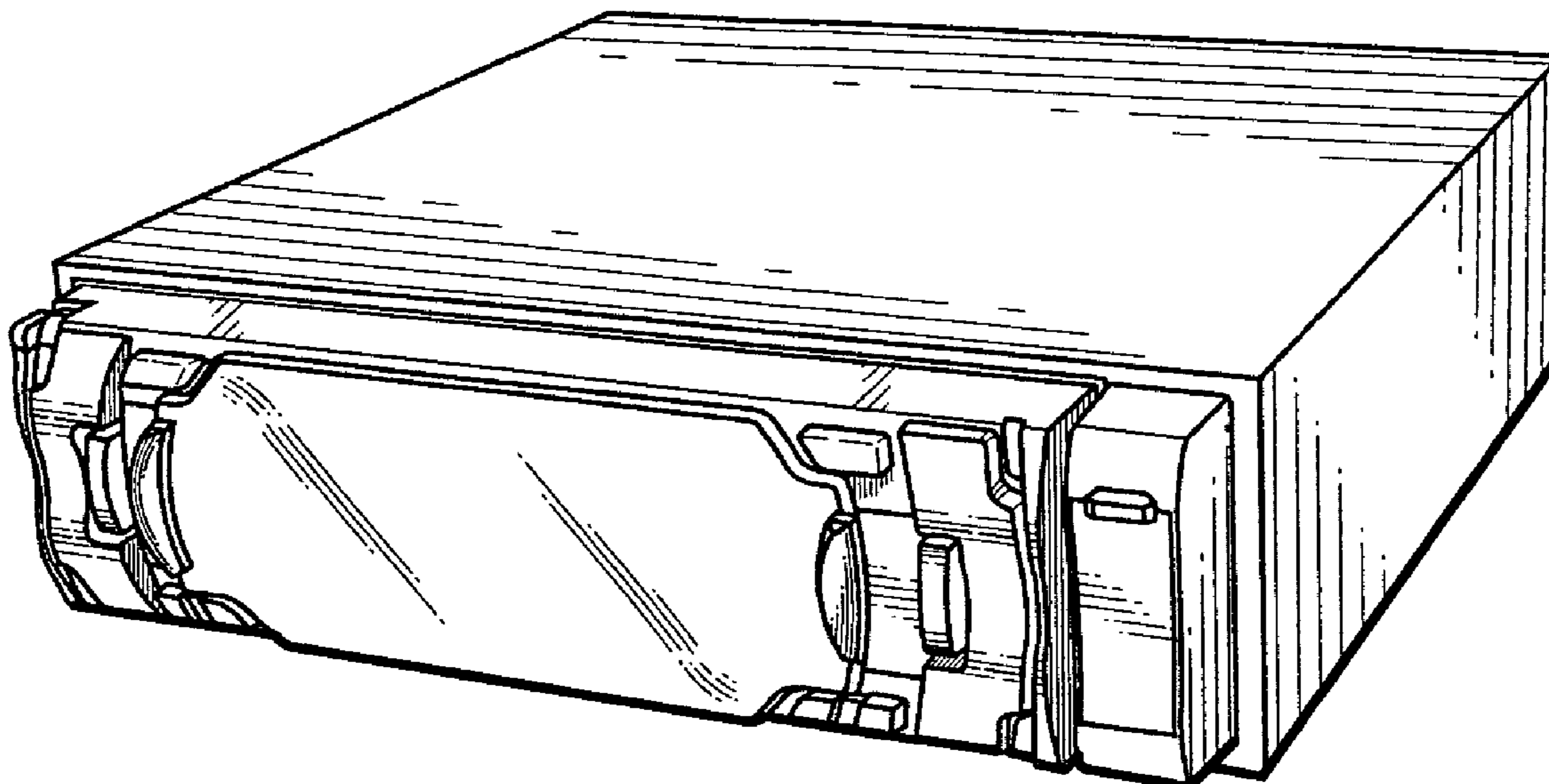
FIG. 6 is a top view thereof;

FIG. 7 is a bottom view thereof; and,

FIG. 8 is a cross-sectional view taken along the line 8—8 of FIG. 2, with the internal mechanism omitted.

The broken lines are for illustrative purposes only and form no part of the claimed design.

1 Claim, 6 Drawing Sheets



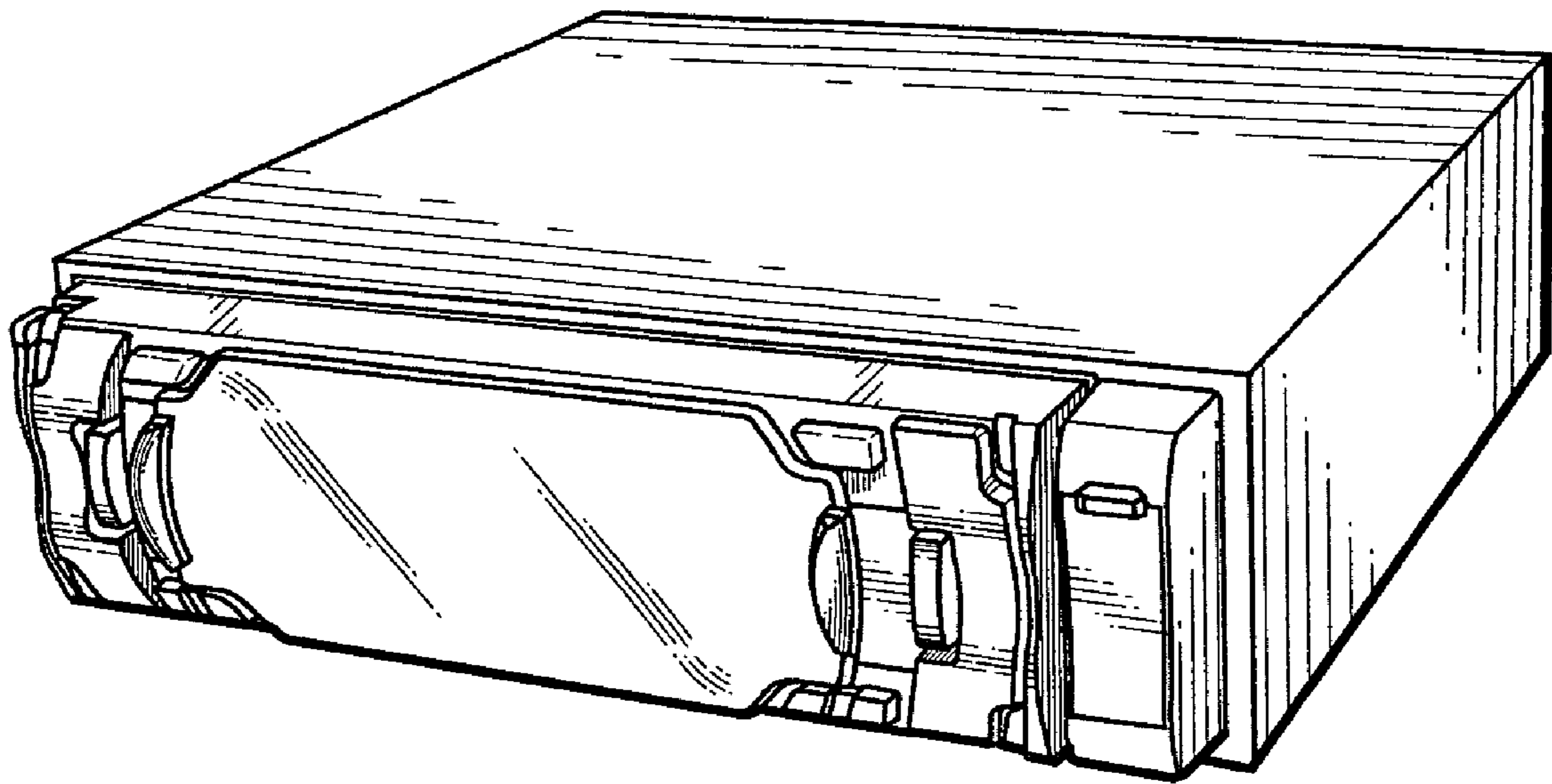


FIG. 1

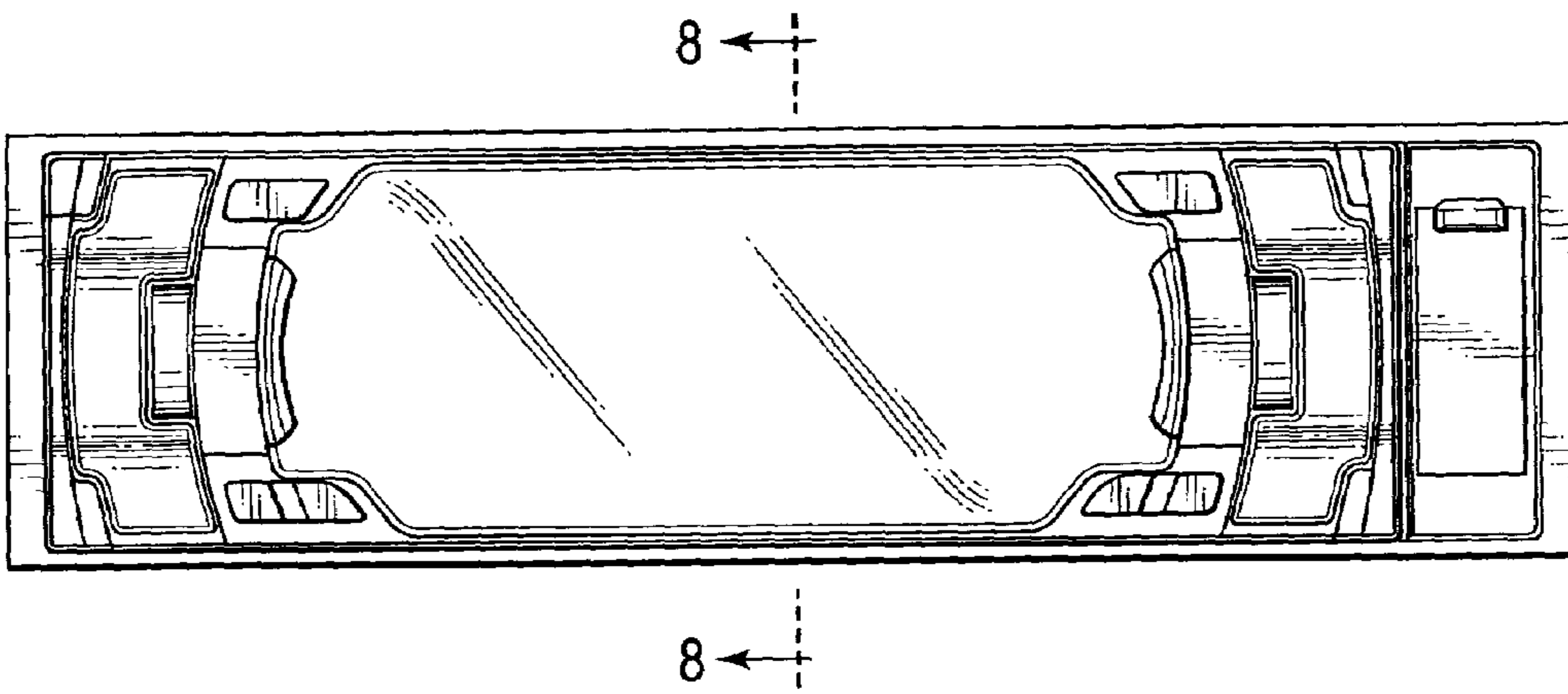


FIG. 2

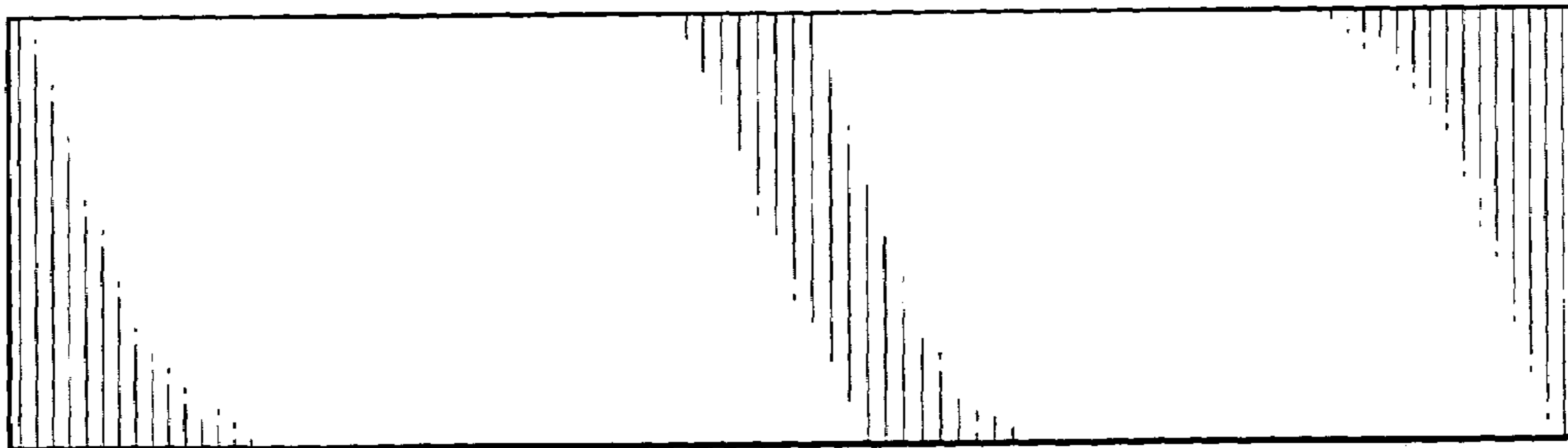


FIG. 3

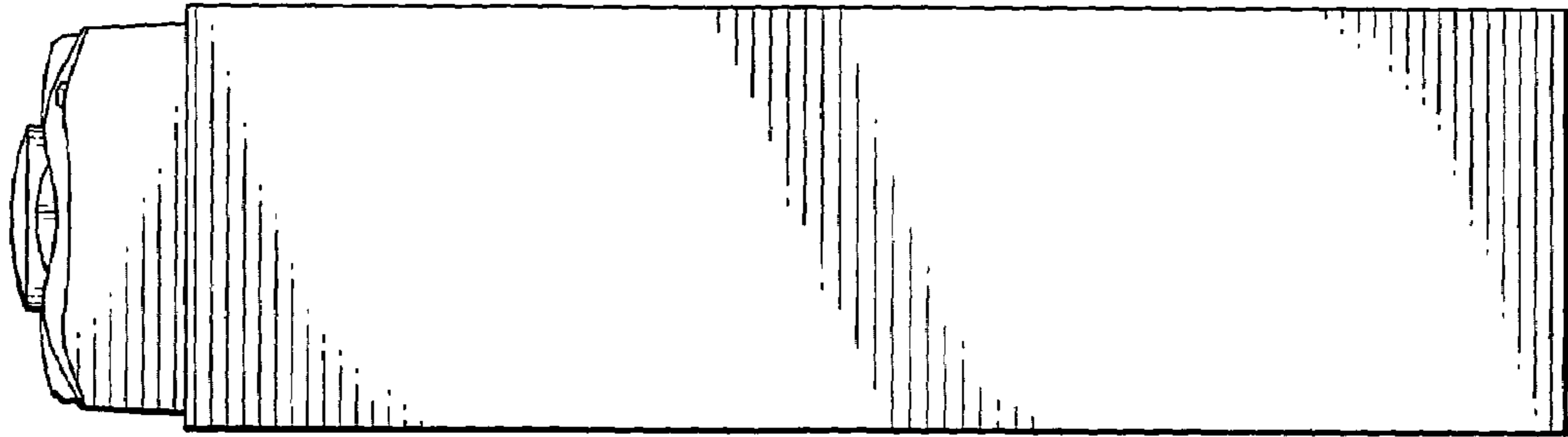


FIG. 4

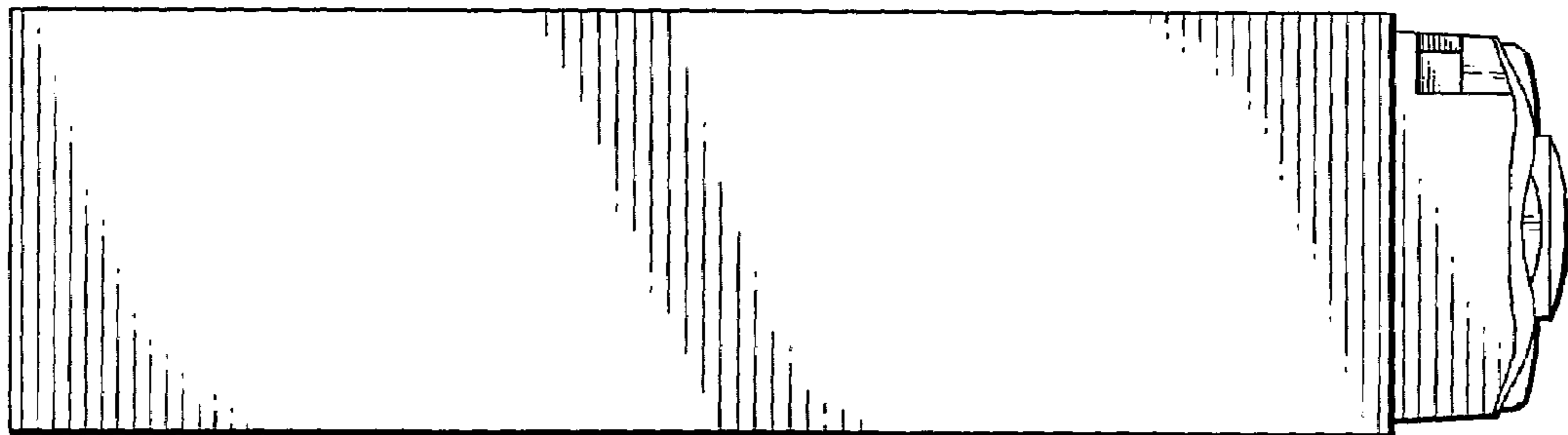


FIG. 5

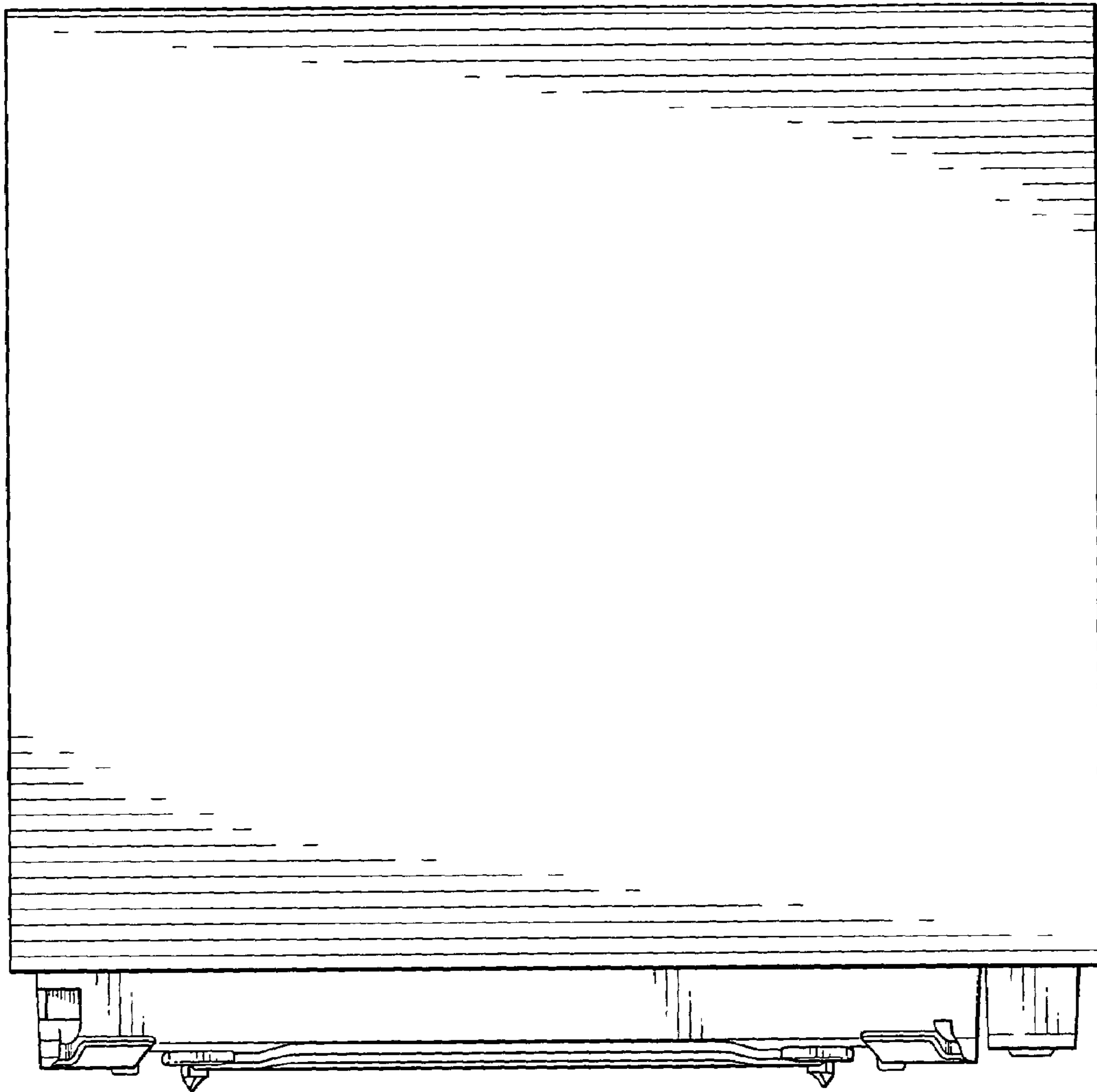


FIG. 6

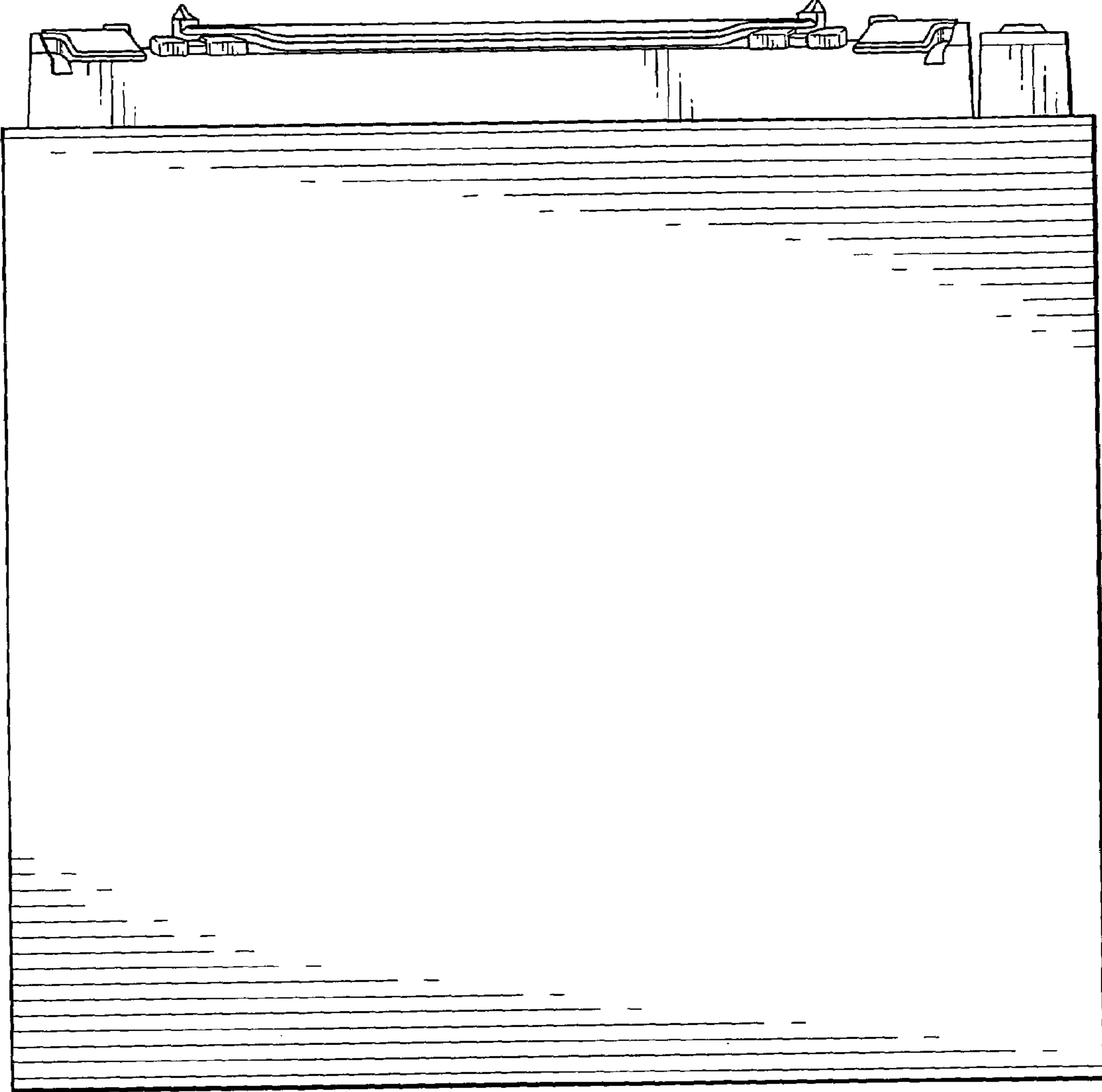


FIG. 7

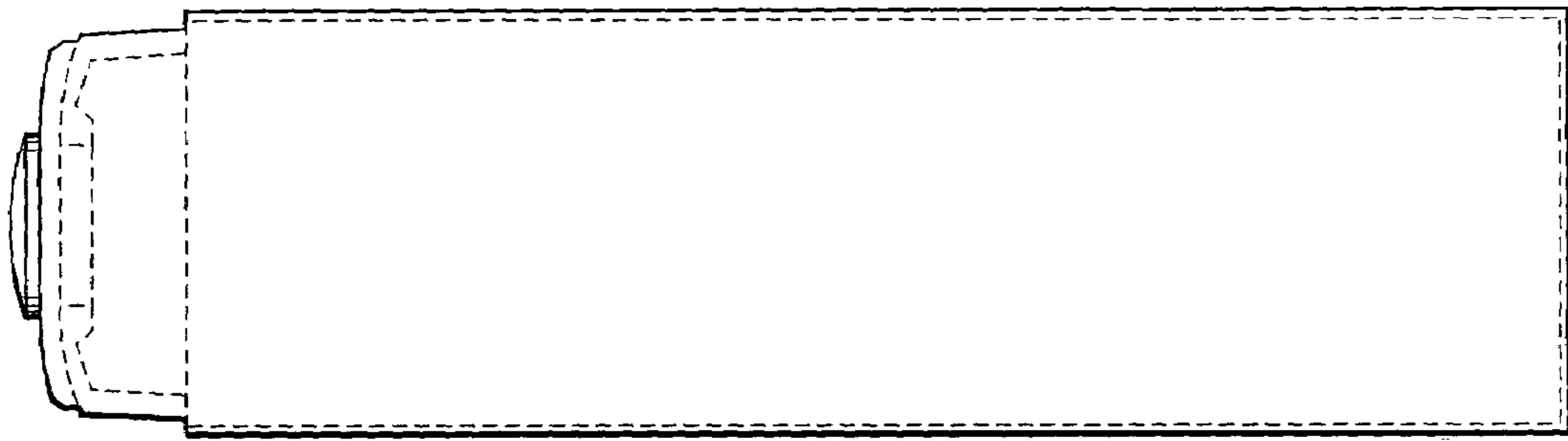


FIG. 8