



US00D554080S

(12) **United States Design Patent**  
**Iekura**

(10) **Patent No.:** **US D554,080 S**

(45) **Date of Patent:** **\*\* Oct. 30, 2007**

(54) **REMOTE CONTROL BOX FOR SHIPS**

D524,226 S \* 7/2006 Iekura ..... D12/317  
2005/0245147 A1\* 11/2005 Takada et al. .... 440/84

(75) Inventor: **Shuji Iekura**, Kyoto-fu (JP)

\* cited by examiner

(73) Assignee: **Yamaha Hatsudoki Kabushiki Kaisha**  
(JP)

*Primary Examiner*—Selina Sikder

(\*\*) Term: **14 Years**

(74) *Attorney, Agent, or Firm*—Ostrolenk, Faber, Gerb &  
Soffen, LLP

(21) Appl. No.: **29/258,047**

(57) **CLAIM**

(22) Filed: **Apr. 14, 2006**

The ornamental design for a remote control box for ships, as shown and described.

(51) **LOC (8) Cl.** ..... **13-03**

(52) **U.S. Cl.** ..... **D13/168**

(58) **Field of Classification Search** ..... D13/168;  
D12/317; 440/84, 86, 87; 477/98, 113  
See application file for complete search history.

**DESCRIPTION**

(56) **References Cited**

U.S. PATENT DOCUMENTS

4,090,598	A *	5/1978	Prince	.....	477/113
4,119,186	A *	10/1978	Choudhury et al.	.....	477/113
4,801,282	A *	1/1989	Ogawa et al.	.....	440/84
5,062,516	A *	11/1991	Prince	.....	477/98
5,967,867	A *	10/1999	Rinzaki et al.	.....	440/87
6,280,269	B1 *	8/2001	Gaynor	.....	440/84
D497,347	S *	10/2004	Iekura	.....	D13/168
D502,148	S *	2/2005	Iekura	.....	D13/168
6,971,328	B2 *	12/2005	Zarn	.....	114/364
RE39,032	E *	3/2006	Gonring et al.	.....	440/87

FIG. 1 is front, right side perspective view of a remote control box for ships, showing my new design;

FIG. 2 is a rear, right side perspective view thereof;

FIG. 3 is a right side view thereof;

FIG. 4 is a left side view thereof;

FIG. 5 is a front view thereof;

FIG. 6 is a rear view thereof;

FIG. 7 is a top view thereof; and,

FIG. 8 is a bottom view thereof.

The broken lines in the drawings illustrate environmental material which forms no part of the design.

**1 Claim, 4 Drawing Sheets**

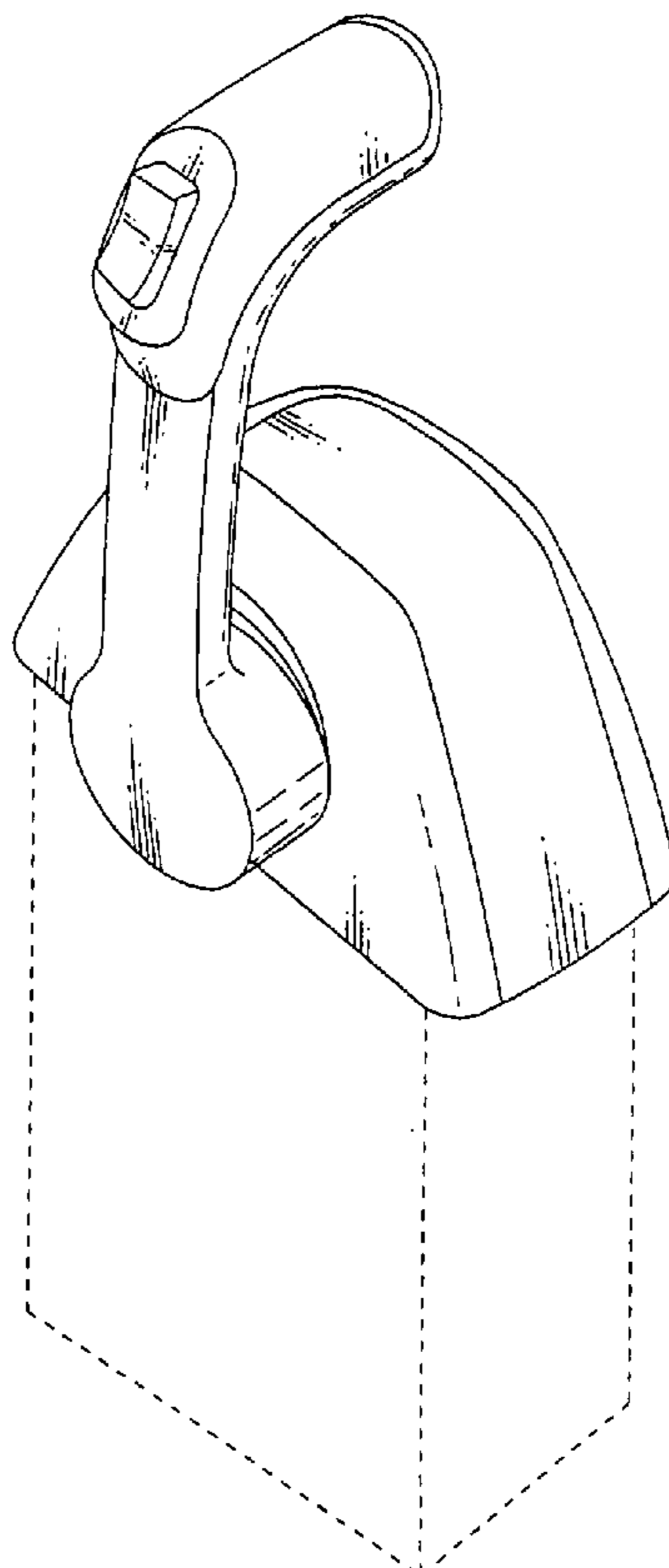


FIG. 2

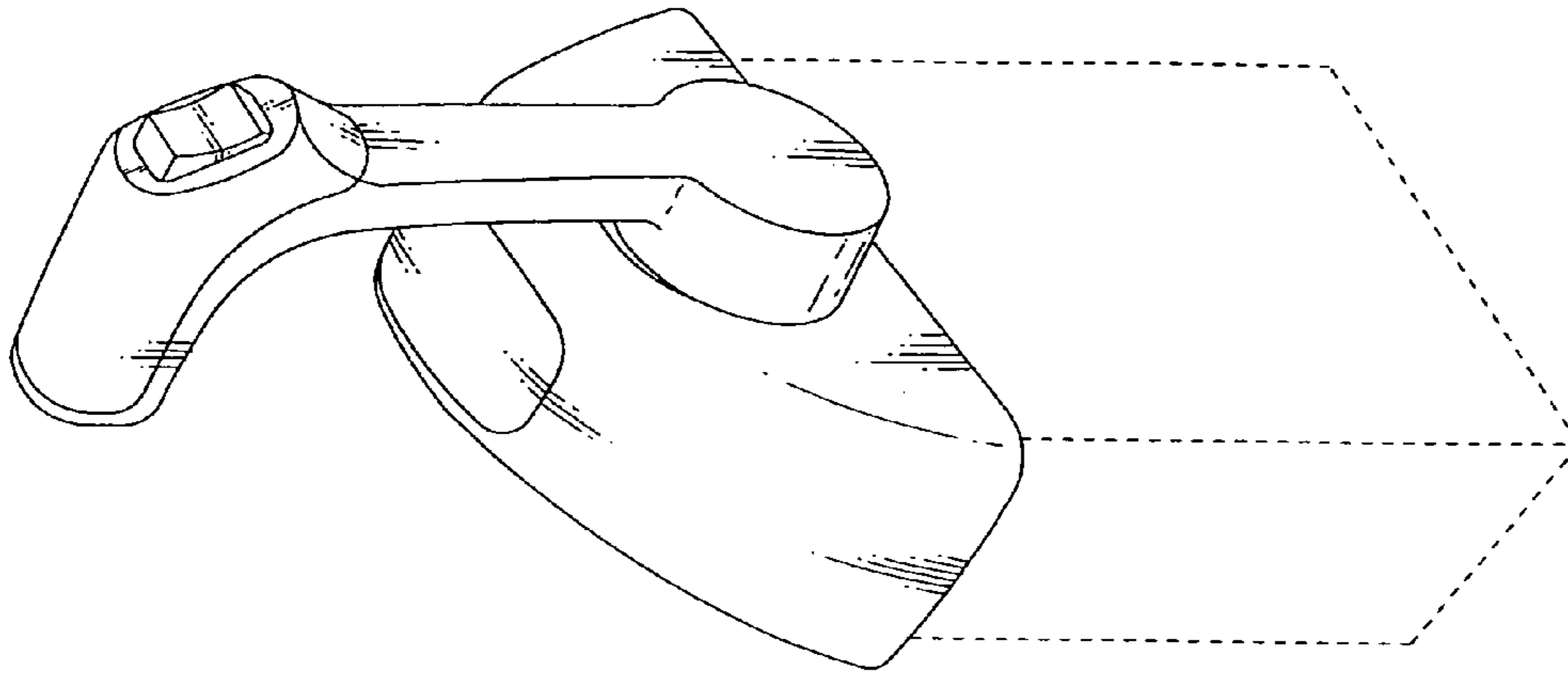


FIG. 1

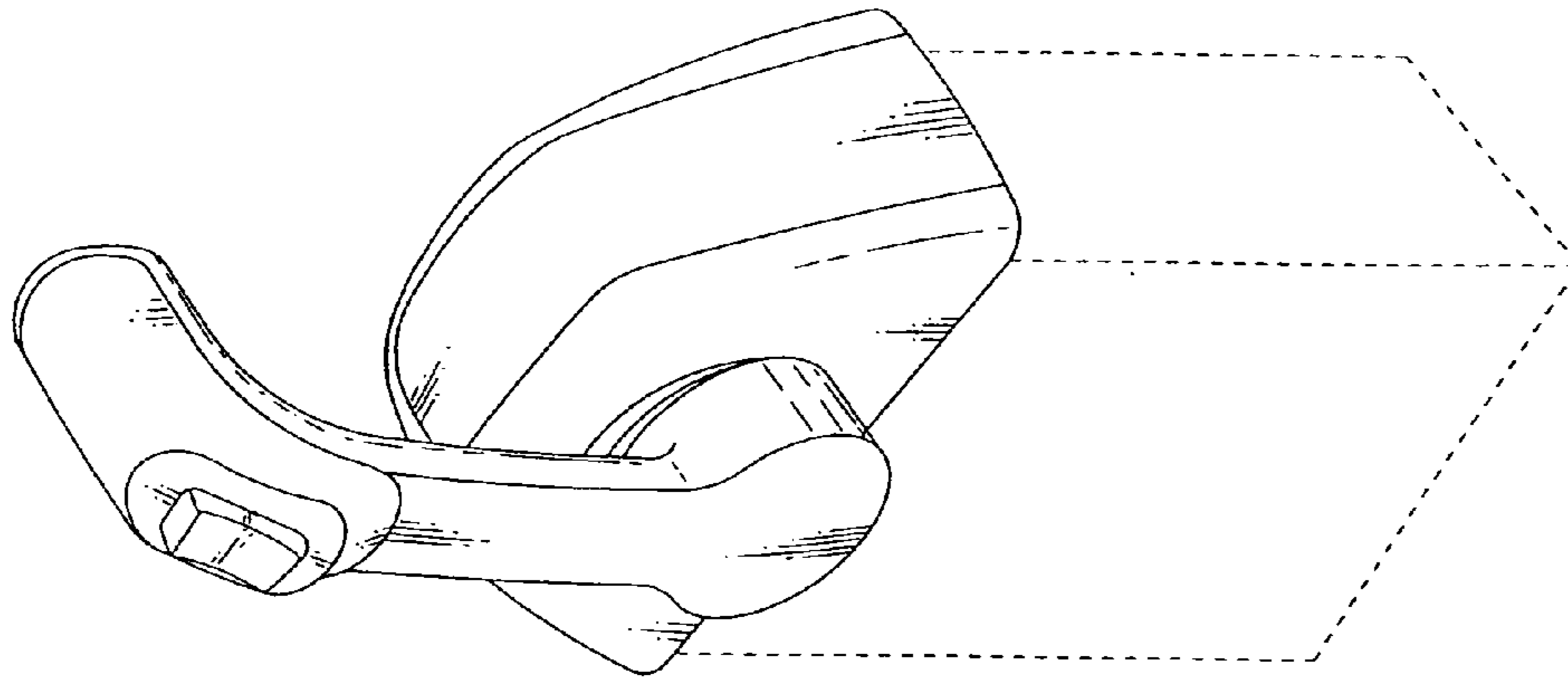


FIG. 4

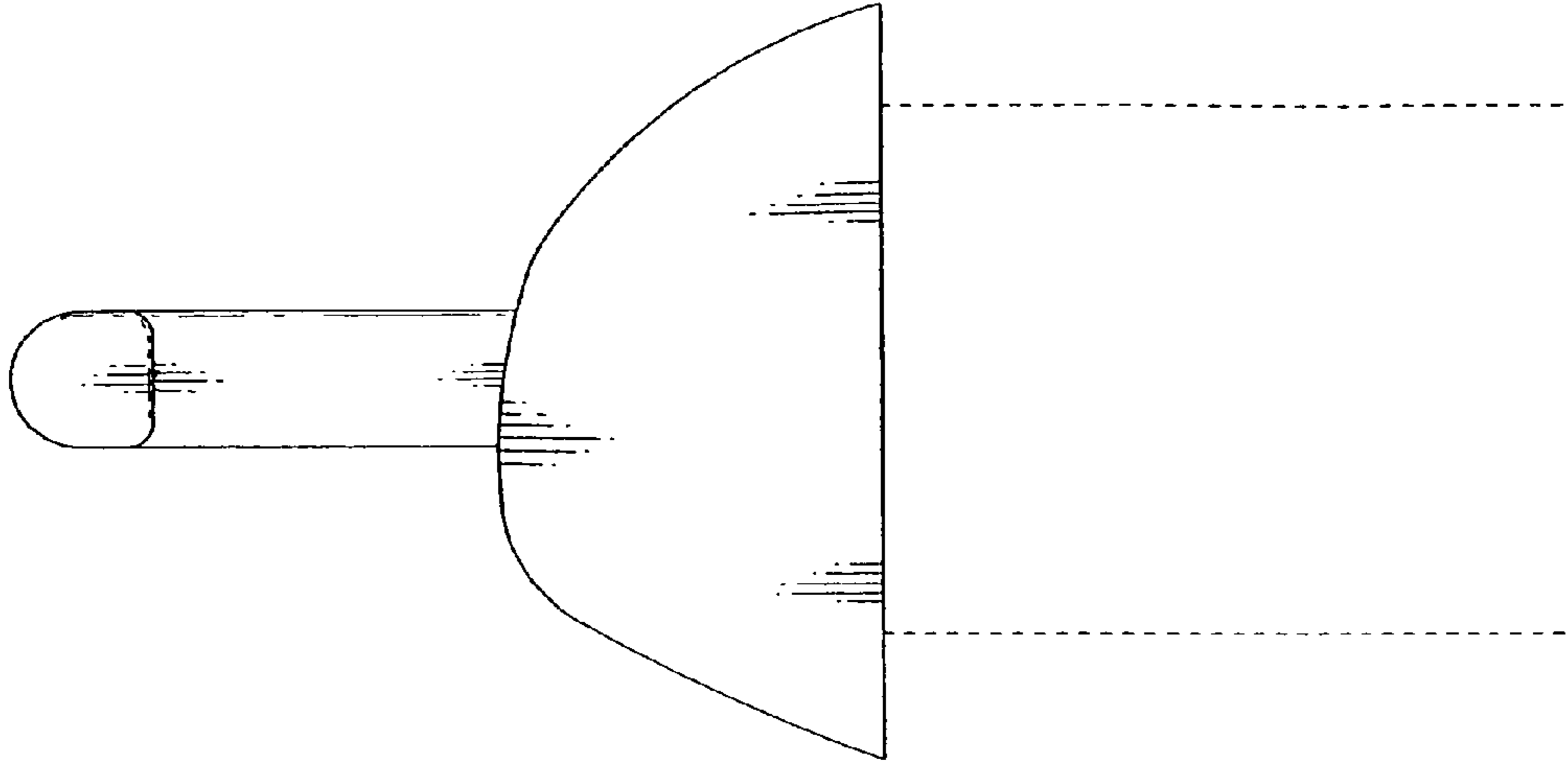


FIG. 3

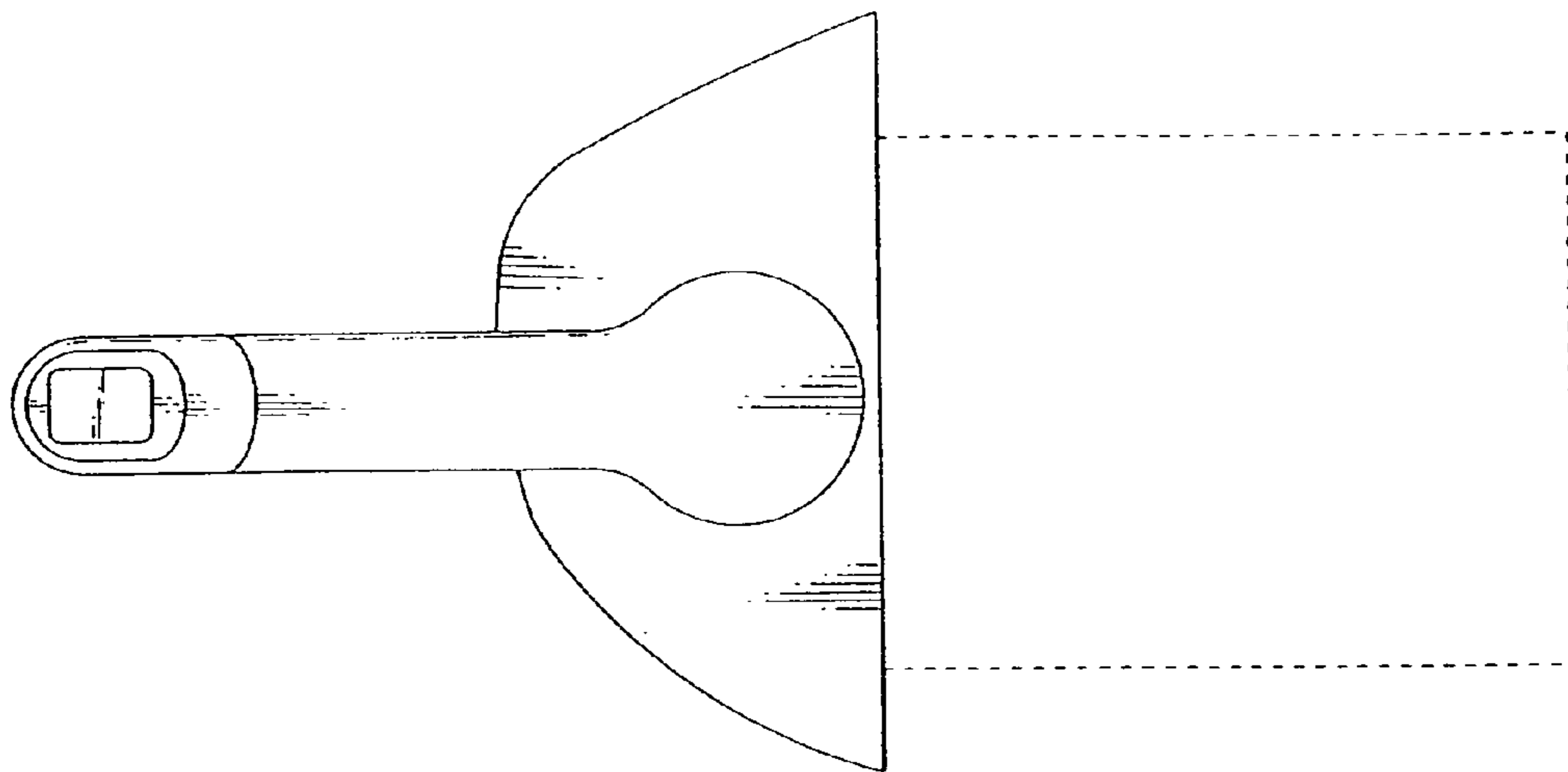


FIG. 6

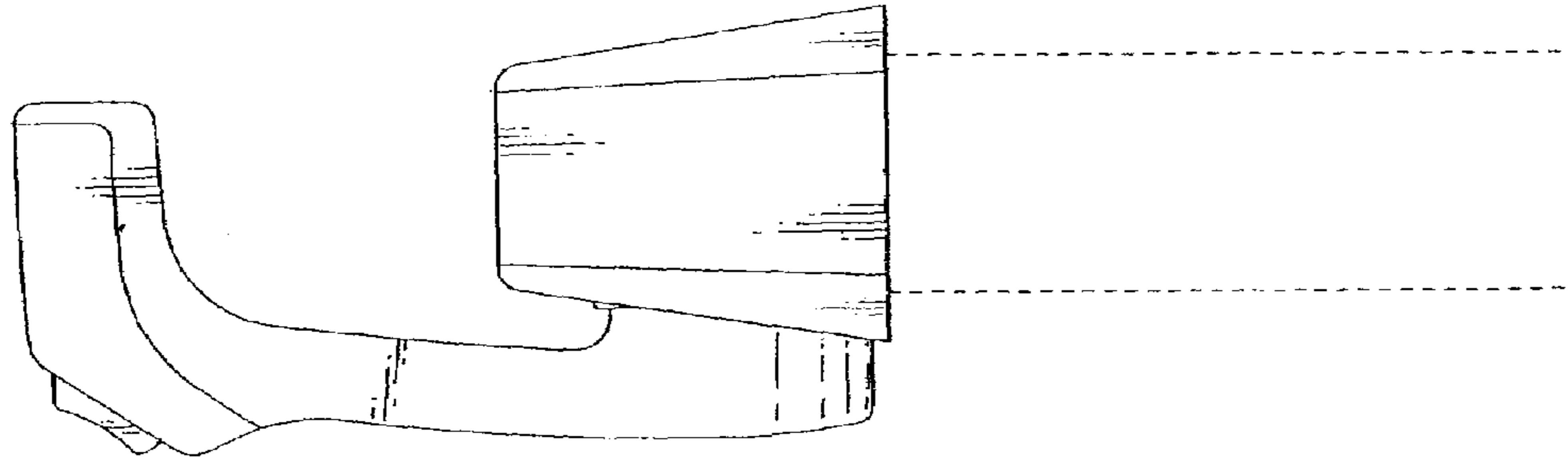


FIG. 5

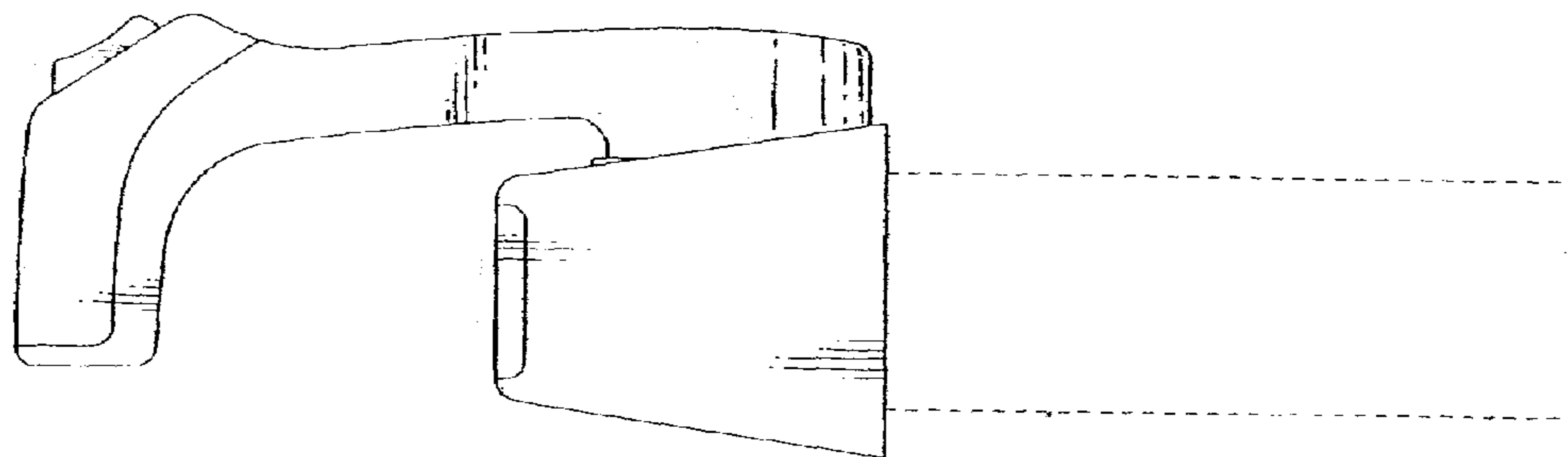


FIG. 8

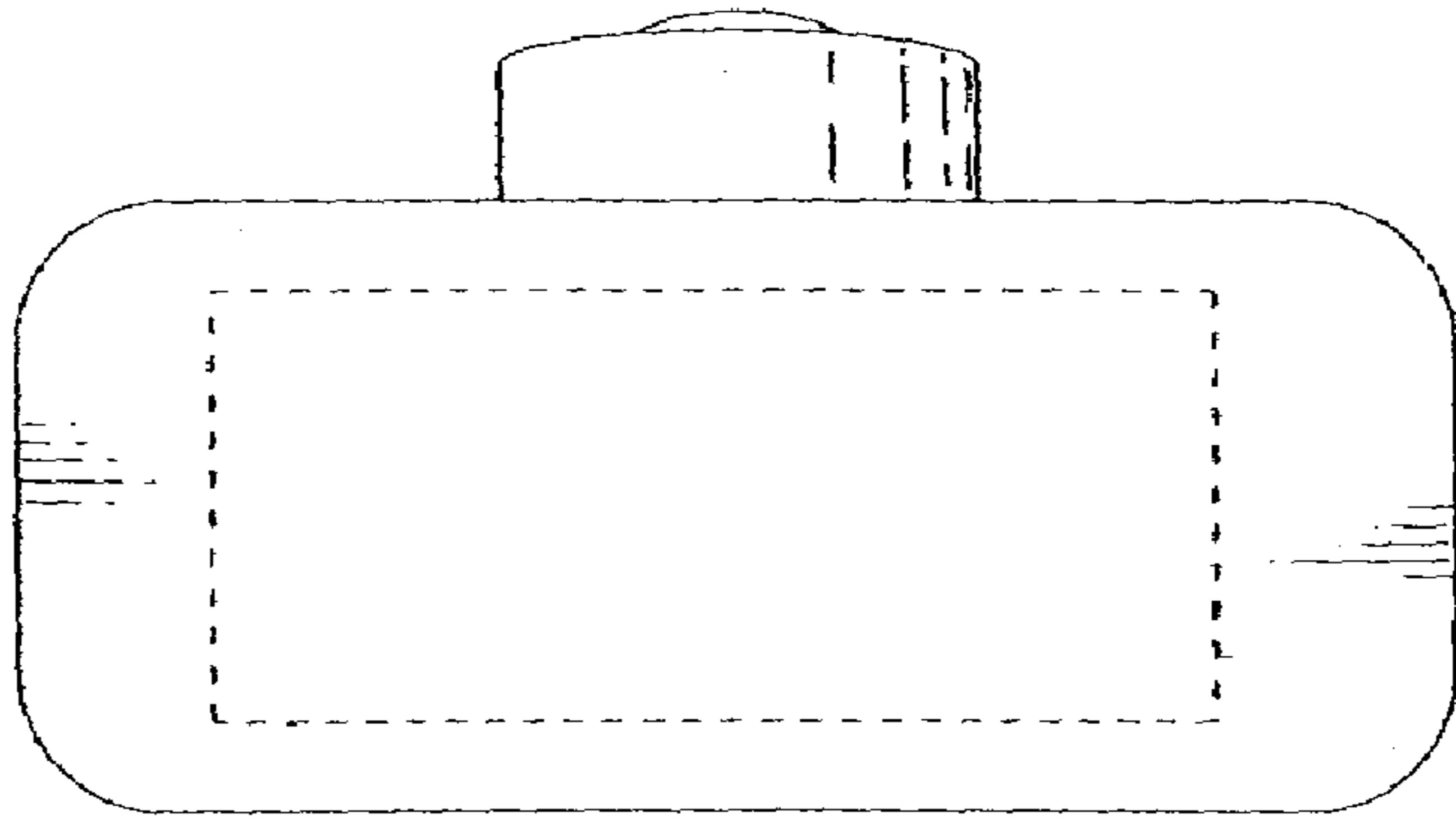


FIG. 7

