

US00D554076S

(12) **United States Design Patent**
Laurent et al.

(10) **Patent No.:** **US D554,076 S**

(45) **Date of Patent:** **** Oct. 30, 2007**

(54) **SEAT CONTROL SWITCH DESIGN FOR AN AUTOMOTIVE VEHICLE**

(75) Inventors: **Patrice Laurent**, Viuz en Sallaz (FR);
Patrick Bonhoure, Annemasse (FR);
Sheng Wang, Ville-la-Grand (FR)

(73) Assignee: **DAV**, Creteil (FR)

(**) Term: **14 Years**

(21) Appl. No.: **29/268,474**

(22) Filed: **Nov. 6, 2006**

(30) **Foreign Application Priority Data**

May 4, 2006 (EM) 000522925-0002

(51) **LOC (8) Cl.** **13-03**

(52) **U.S. Cl.** **D13/164**

(58) **Field of Classification Search** D13/168,
D13/164, 162; D12/192-195; D14/388;
D8/302, 315; 200/1 R, 5 R, 52 R, 315, 310,
200/6 A, 302.1, 308, 314, 317; 296/153;
297/411.21; 307/10.1

See application file for complete search history.

(56) **References Cited**

U.S. PATENT DOCUMENTS

5,668,357 A * 9/1997 Takiguchi et al. 200/5 R

6,515,241	B2 *	2/2003	Saiki	200/5 R
6,646,217	B2 *	11/2003	Omata	200/406
6,835,902	B2 *	12/2004	Hiraoka	200/5 A
D520,962	S *	5/2006	Seal et al.	D13/164
D526,973	S *	8/2006	Gates et al.	D13/184
7,215,321	B2 *	5/2007	SanGiovanni	345/156
2002/0060146	A1 *	5/2002	Serizawa et al.	200/5 R
2003/0164281	A1 *	9/2003	Hiraoka	200/5 A
2004/0207601	A1 *	10/2004	SanGiovanni	345/156
2005/0205393	A1 *	9/2005	Bricaud et al.	200/5 R

* cited by examiner

Primary Examiner—Selina Sikder

Assistant Examiner—Thomas J Johannes

(74) *Attorney, Agent, or Firm*—Osha Liang LLP

(57) **CLAIM**

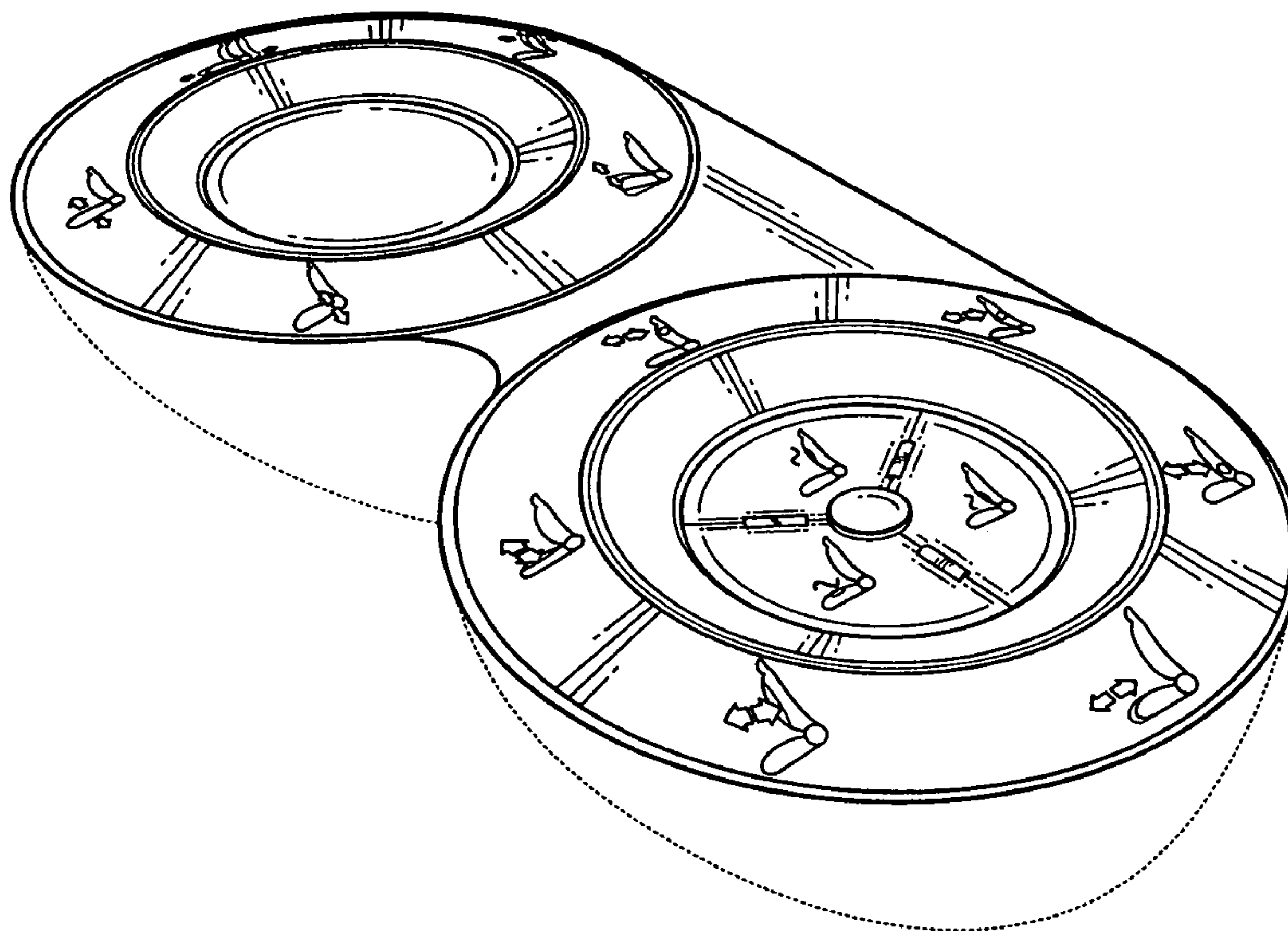
The ornamental design for a seat control switch design for an automotive vehicle, as shown and described.

DESCRIPTION

The FIGURE is a perspective view of a seat control switch design for an automotive vehicle showing our new design.

The portions in broken lines are for illustrative purposes only and form no part of the claimed design.

1 Claim, 1 Drawing Sheet



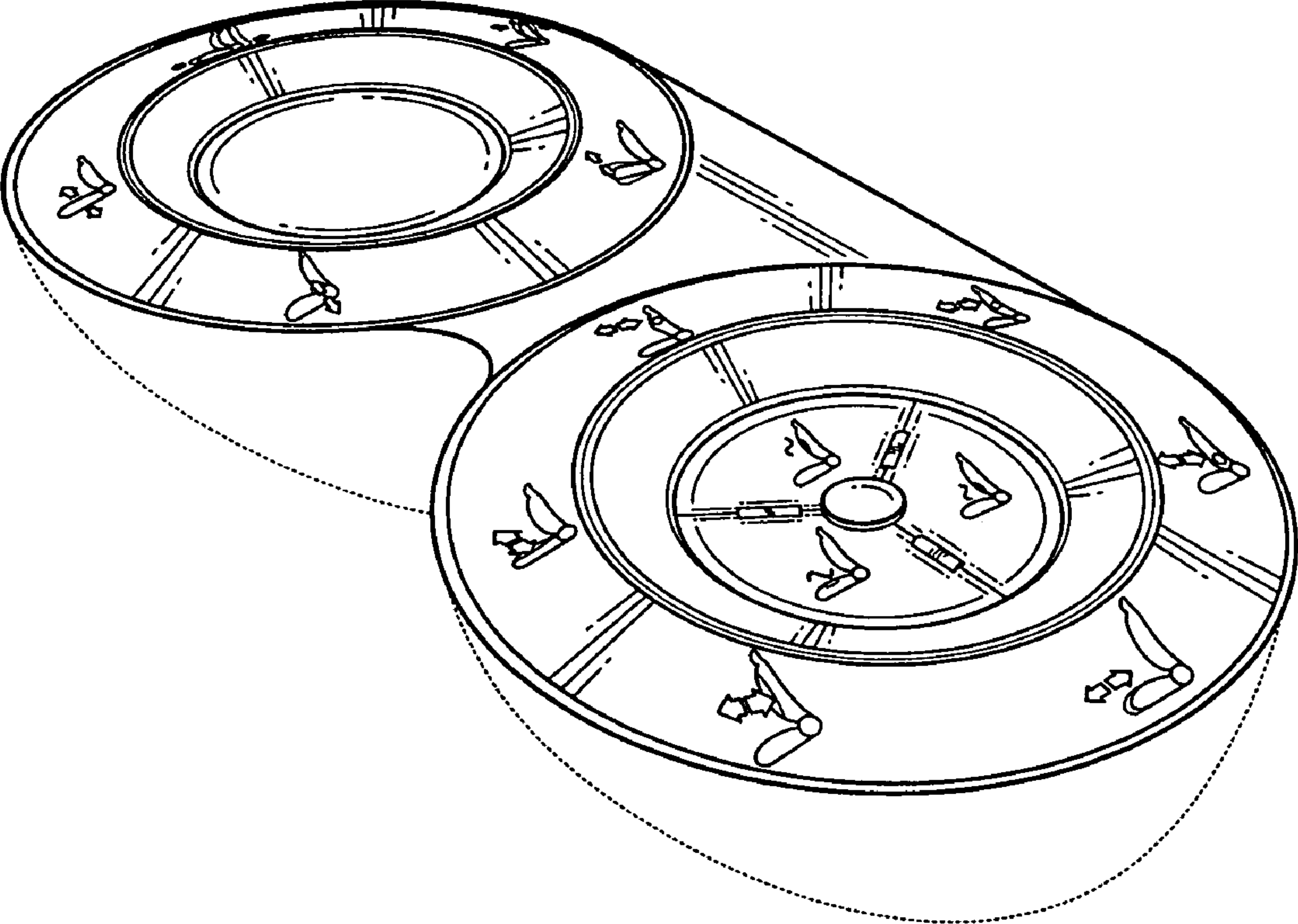


FIG. 1