



US00D554070S

(12) **United States Design Patent**
Bolotin et al.

(10) **Patent No.:** **US D554,070 S**

(45) **Date of Patent:** **** Oct. 30, 2007**

(54) **PROCESSING APPARATUS**

(75) Inventors: **Lev M. Bolotin**, Kirkland, WA (US);
Robert B. Hubler, Woodinville, WA (US)

(73) Assignee: **Data I/O Corporation**, Redmond, WA (US)

(**) Term: **14 Years**

(21) Appl. No.: **29/246,693**

(22) Filed: **May 3, 2006**

(51) **LOC (8) Cl.** **13-03**

(52) **U.S. Cl.** **D13/162**

(58) **Field of Classification Search** D13/162,
D13/163, 184; D10/83, 80, 75, 70, 103,
D10/81, 106; D14/305, 307, 304; D24/232,
D24/138, 186, 158; D15/138, 83, 199, 126;
D18/41, 36; D16/130; 700/218; 438/689;
29/25.01; 156/345.35, 345.28, 345.24, 345.1;
118/719; 451/178; 414/710; 396/564; 365/200
See application file for complete search history.

(56) **References Cited**

U.S. PATENT DOCUMENTS

| | | | | |
|--------------|---------|------------------|-------|---------|
| D252,681 S * | 8/1979 | Current | | D13/162 |
| D279,554 S * | 7/1985 | Hicks | | D10/103 |
| D301,585 S * | 6/1989 | Linn | | D15/138 |
| D351,590 S * | 10/1994 | Whaley et al. | | D13/163 |
| D352,911 S * | 11/1994 | Yamamoto et al. | | D10/75 |
| D370,641 S * | 6/1996 | Quinones et al. | | D10/83 |
| D378,782 S * | 4/1997 | LaBarbera et al. | | D24/232 |
| D410,582 S * | 6/1999 | Bigler et al. | | D10/80 |
| D437,795 S * | 2/2001 | Fischer | | D10/70 |

| | | | | |
|------------------|---------|-----------------|-------|------------|
| D449,280 S * | 10/2001 | Piacenza et al. | | D10/70 |
| D467,349 S * | 12/2002 | Niedbala et al. | | D24/232 |
| D534,654 S * | 1/2007 | Hayamizu | | D24/138 |
| 2002/0002767 A1* | 1/2002 | Yanagita et al. | | 29/25.01 |
| 2004/0063319 A1* | 4/2004 | Toshima et al. | | 438/689 |
| 2006/0162863 A1* | 7/2006 | Kim et al. | | 156/345.35 |

* cited by examiner

Primary Examiner—Selina Sikder

Assistant Examiner—Thomas J Johannes

(74) *Attorney, Agent, or Firm*—Mikio Ishimaru

(57) **CLAIM**

We claim the ornamental design for the processing apparatus, as shown and described.

DESCRIPTION

FIG. 1 is a perspective view of a processing apparatus showing our new design;

FIG. 2 is a perspective view of a processing apparatus showing our new design with its top up;

FIG. 3 is a front elevational view thereof;

FIG. 4 is a back elevational view thereof;

FIG. 5 is a right side view thereof;

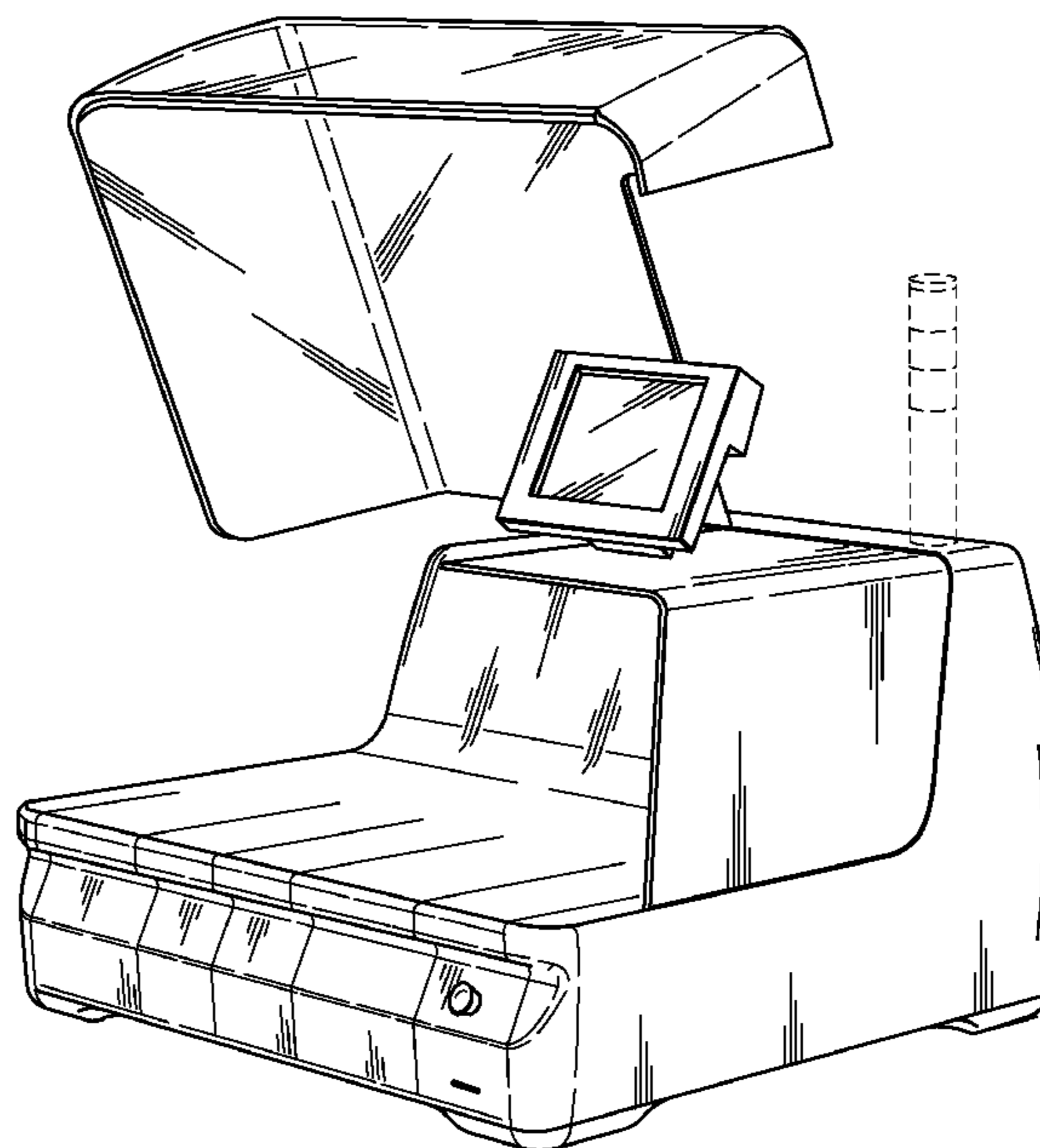
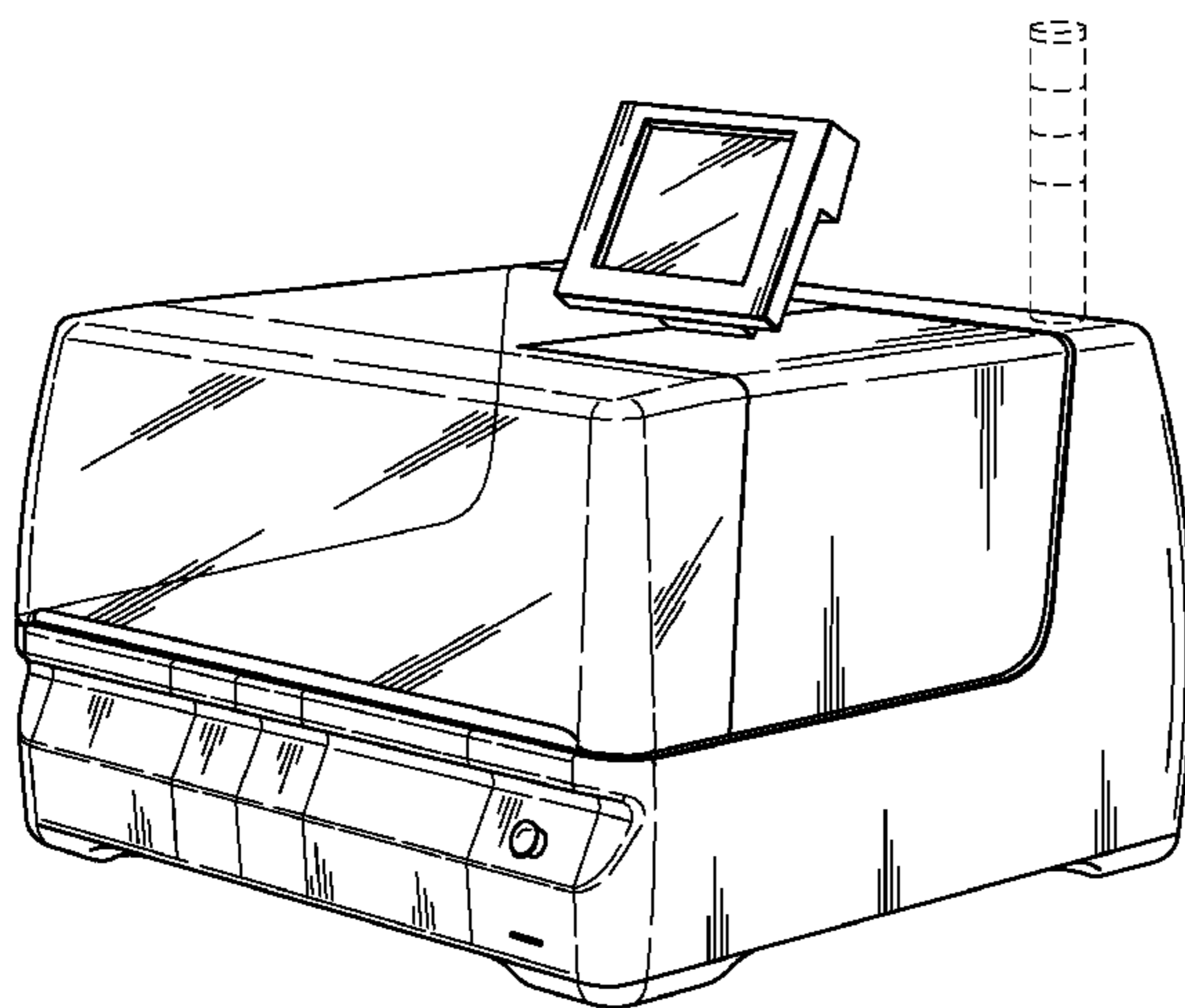
FIG. 6 is a left side elevational view thereof

FIG. 7 is a top plan elevational view thereof; and,

FIG. 8 is a bottom plan view thereof.

The broken line showing of a cylindrical form on the top surface of the processing apparatus in the figure drawings forms no part of the claimed design.

1 Claim, 5 Drawing Sheets



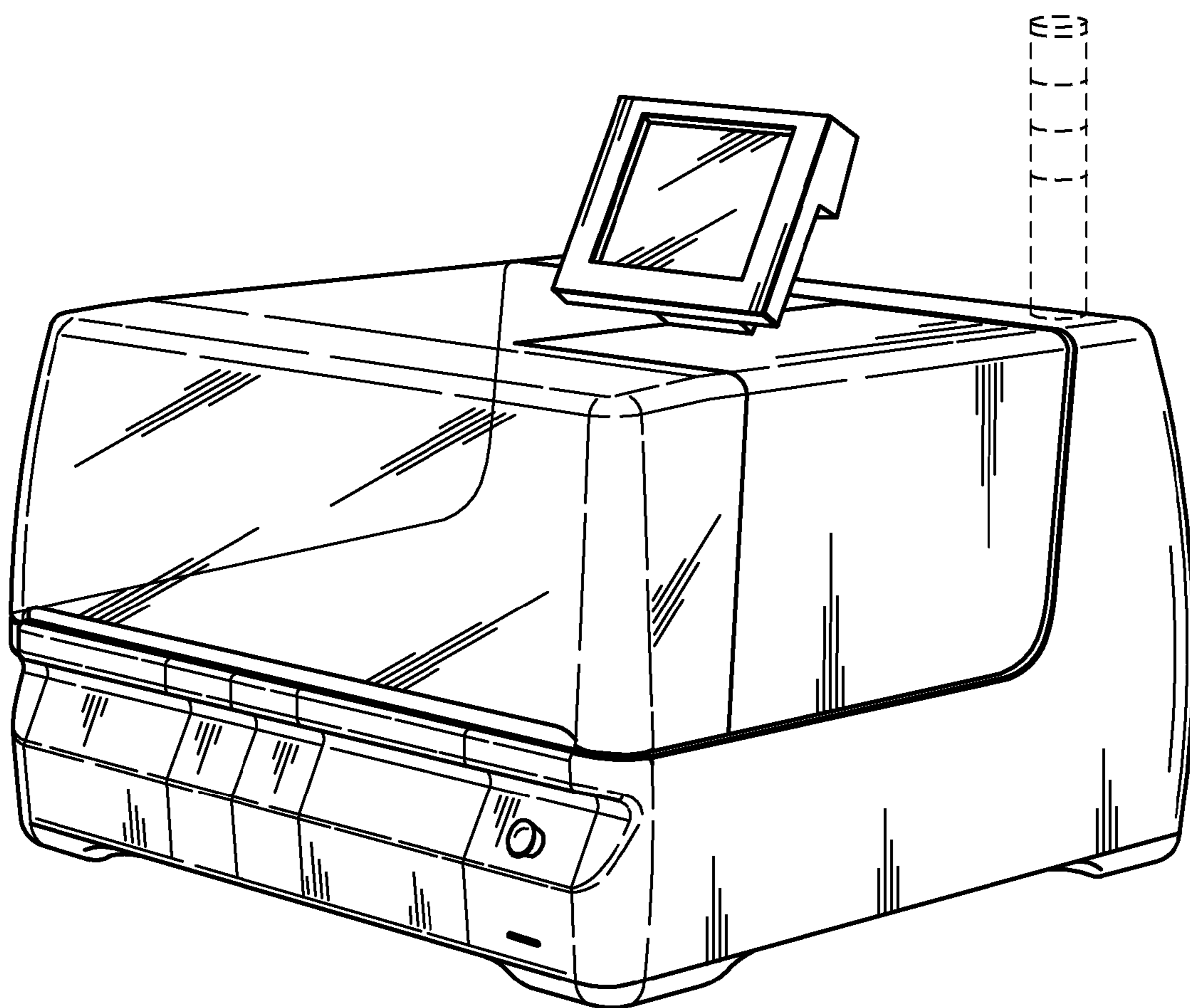


FIG. 1

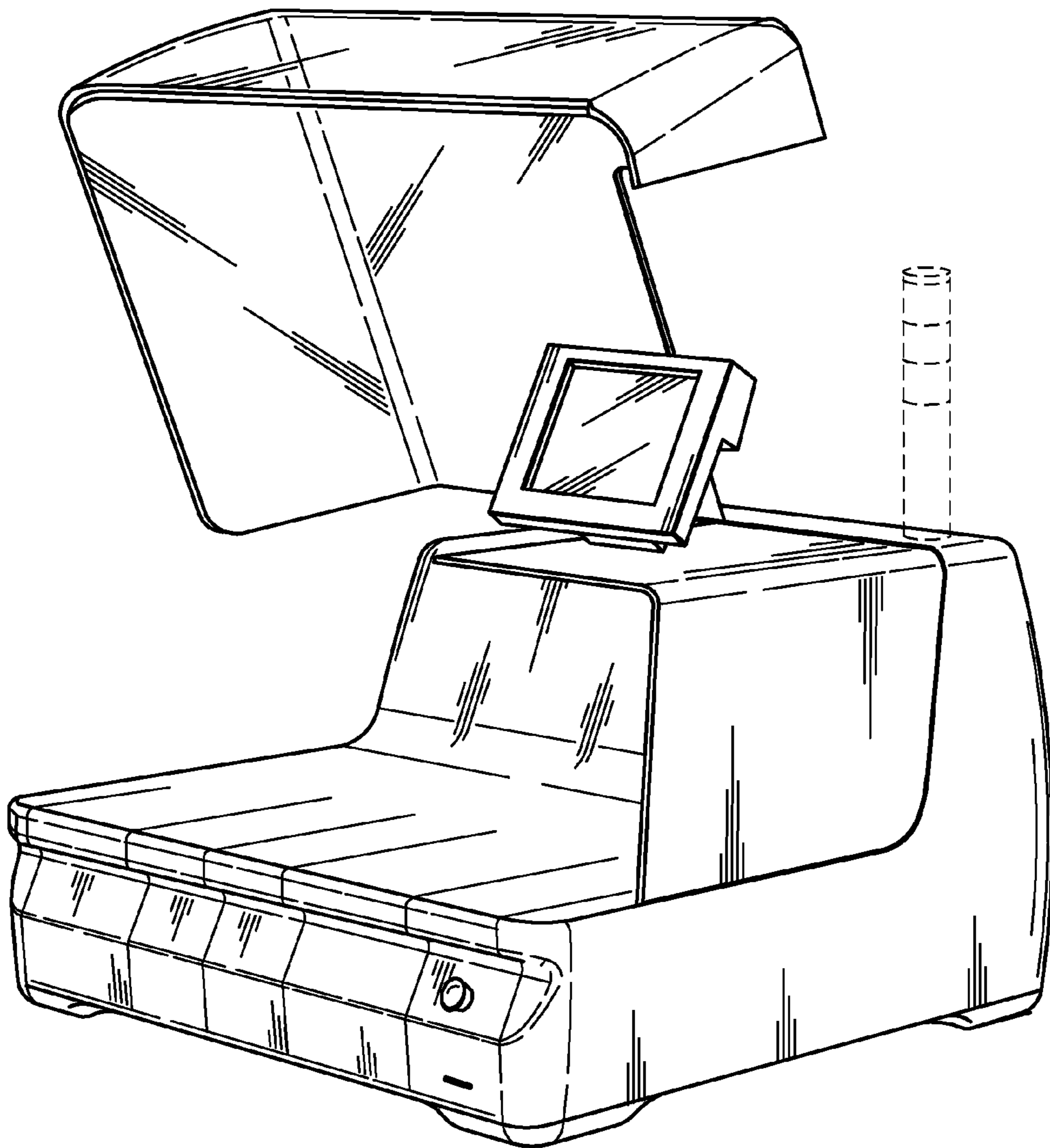


FIG. 2

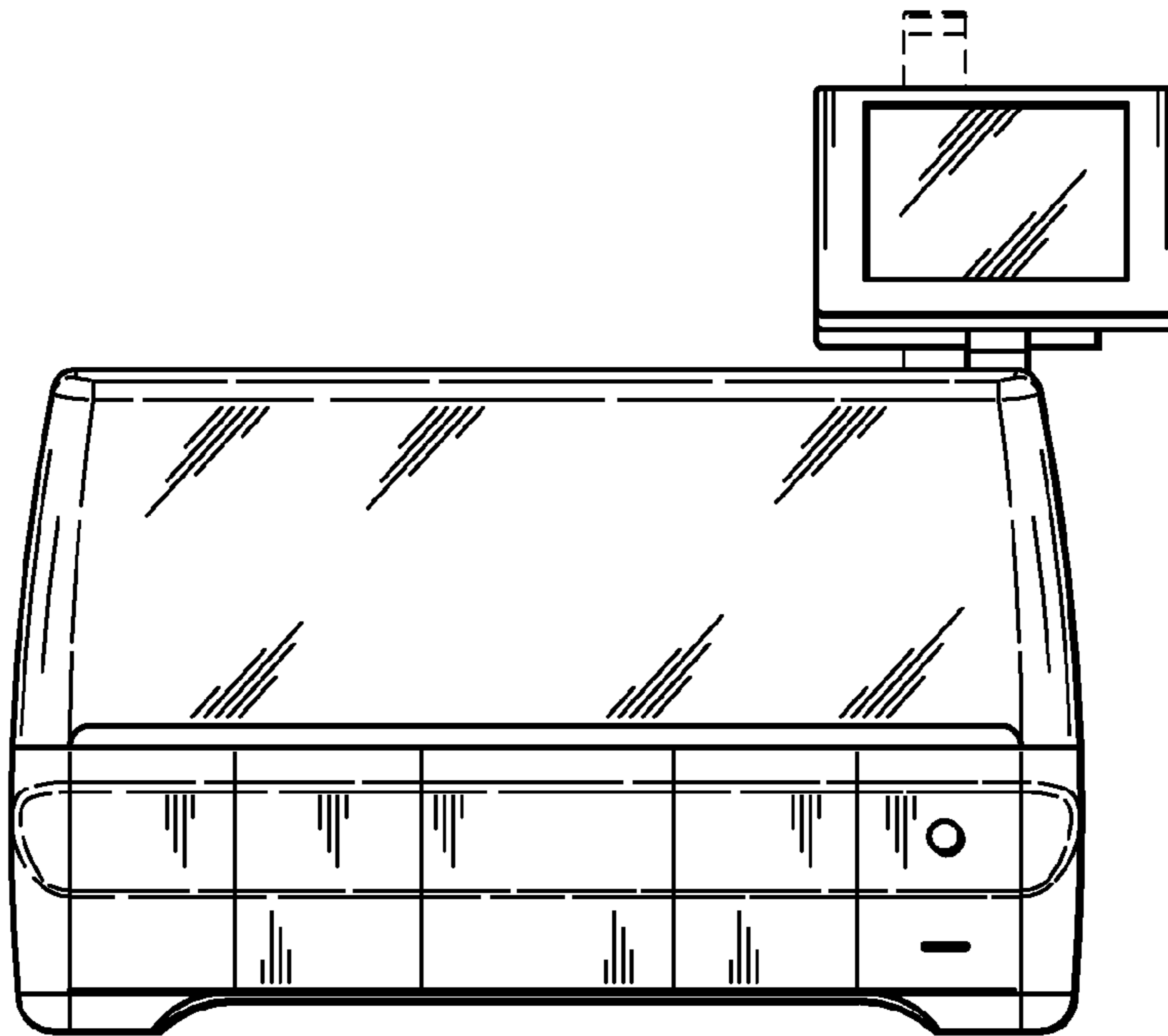


FIG. 3

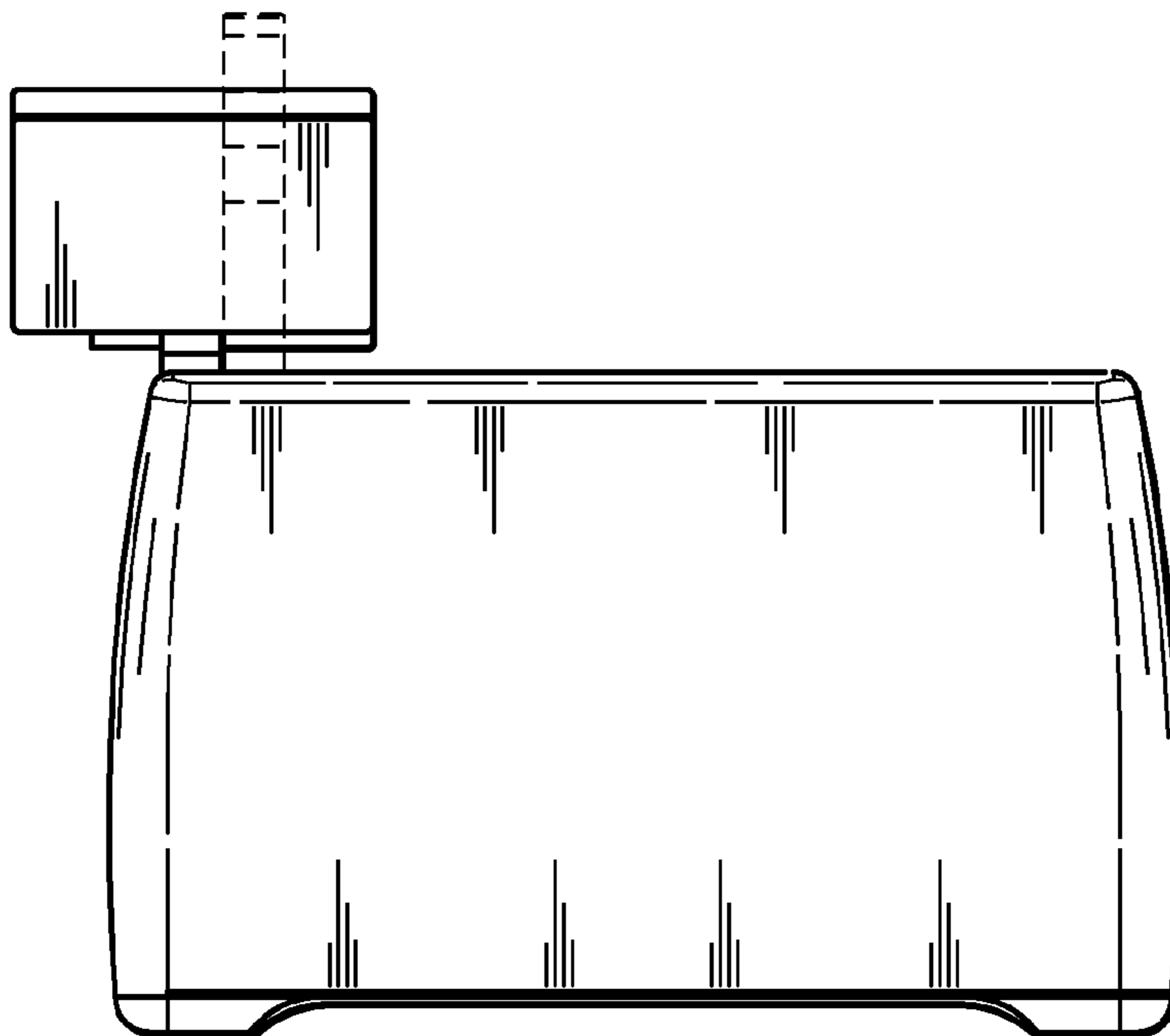


FIG. 4

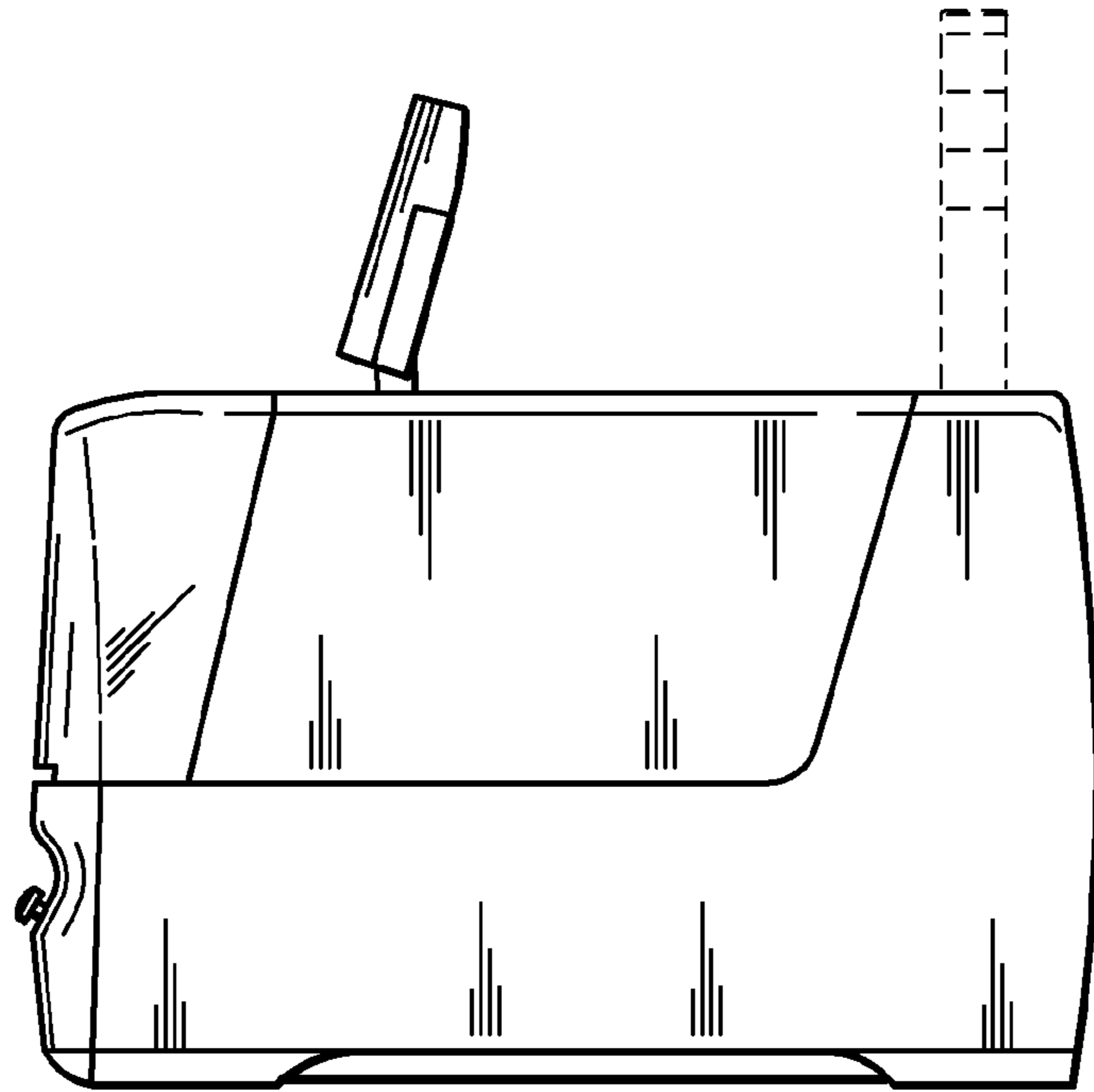


FIG. 5

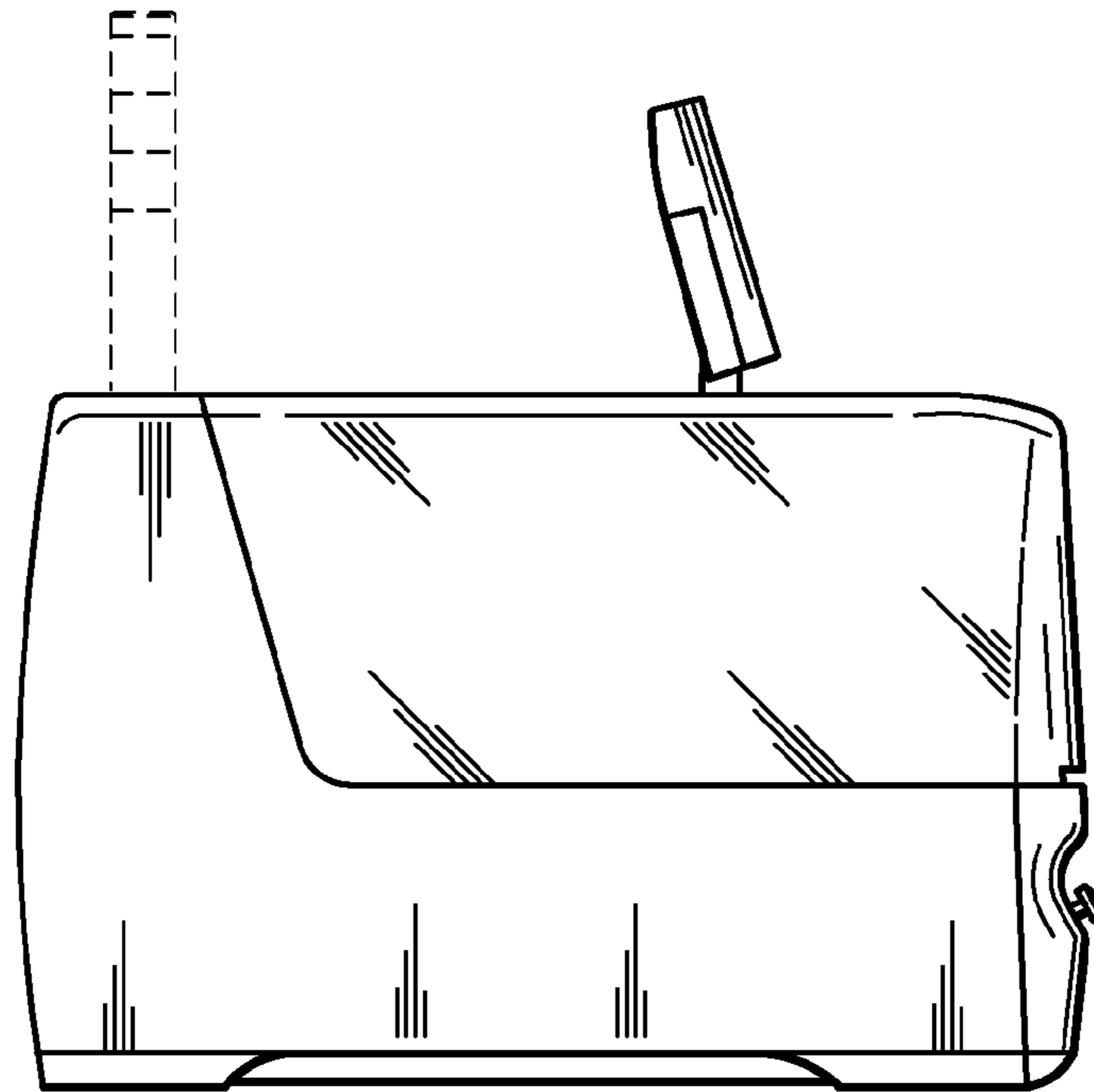


FIG. 6

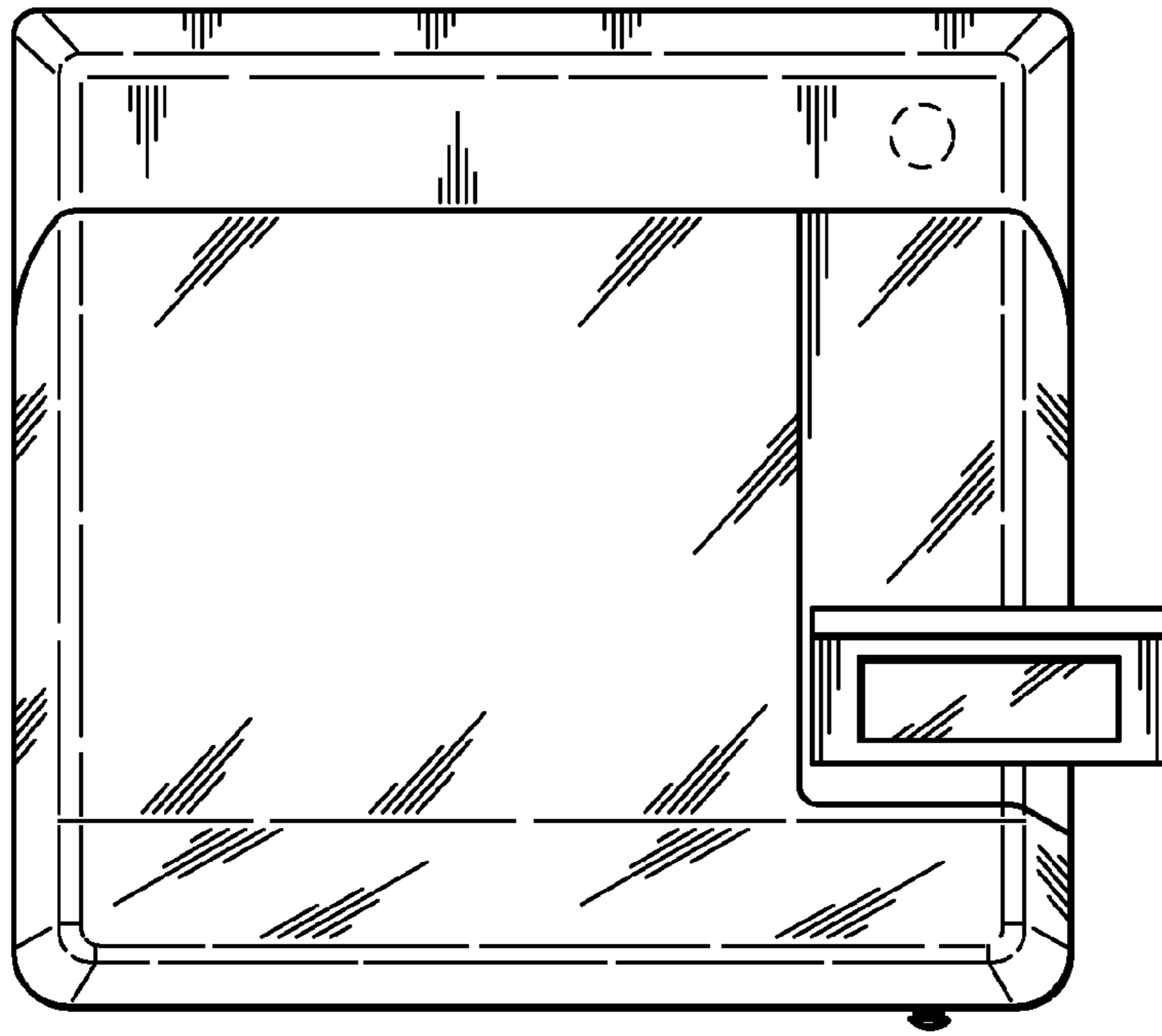


FIG. 7

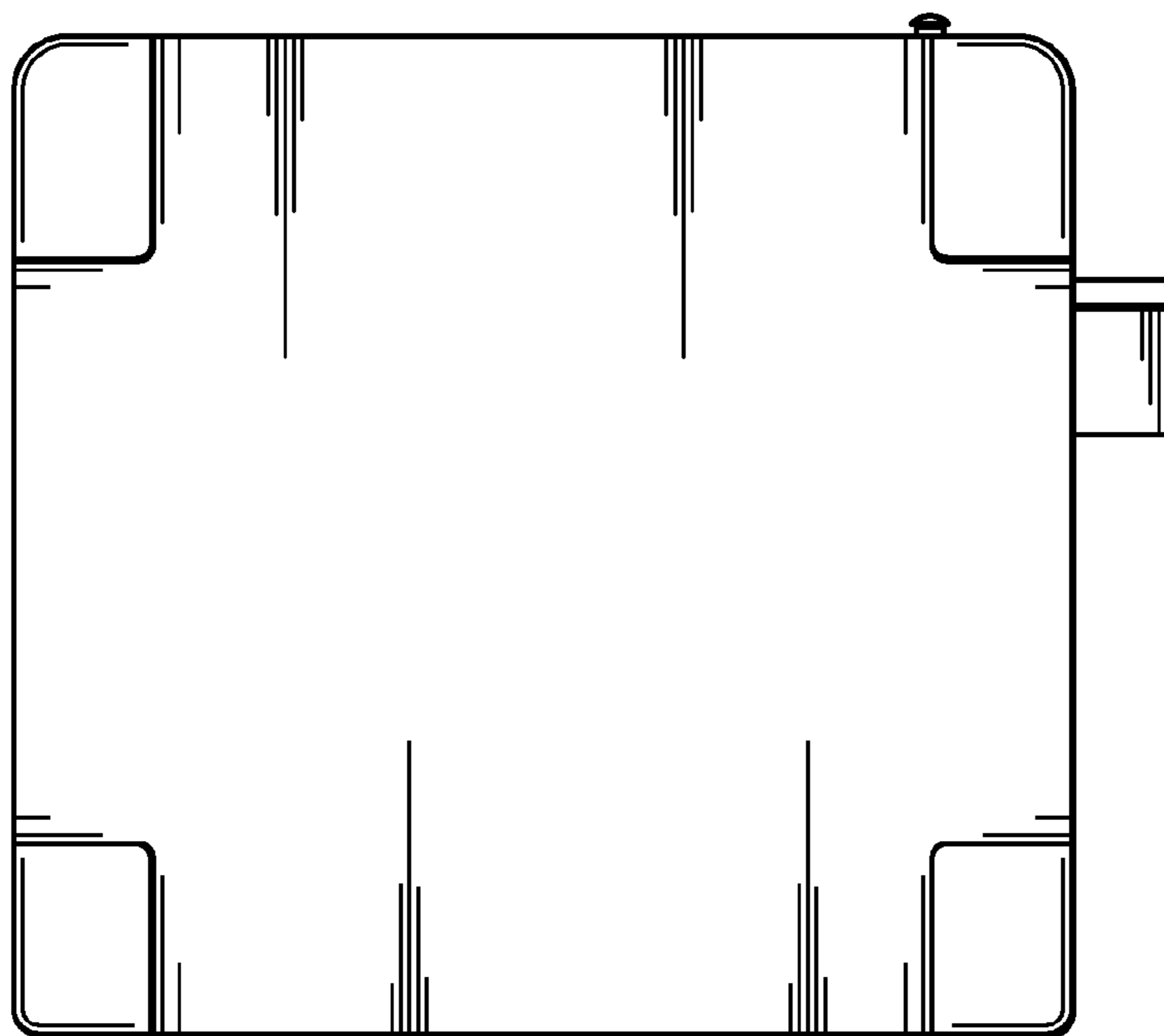


FIG. 8