



US00D554069S

(12) **United States Design Patent**  
**Bolotin et al.**

(10) **Patent No.:** **US D554,069 S**

(45) **Date of Patent:** **\*\* Oct. 30, 2007**

(54) **PROCESSING APPARATUS**

(75) Inventors: **Lev M. Bolotin**, Kirkland, WA (US);  
**Robert B. Hubler**, Woodinville, WA (US)

(73) Assignee: **Data I/O Corporation**, Redmond, WA (US)

(\*\*) Term: **14 Years**

(21) Appl. No.: **29/246,692**

(22) Filed: **May 3, 2006**

(51) **LOC (8) Cl.** ..... **13-03**

(52) **U.S. Cl.** ..... **D13/162**

(58) **Field of Classification Search** ..... D13/162,  
D13/163, 184; D10/83, 80, 75, 70, 103,  
D10/81, 106; D14/305, 307, 304; D24/232,  
D24/138, 186, 158; D15/138, 83, 199, 126;  
D18/41, 63; D16/130; 700/218; 438/689;  
29/25.01; 156/345.35, 345.28, 345.24, 345.1;  
118/719; 451/178; 414/710; 396/564; 365/200  
See application file for complete search history.

(56) **References Cited**

**U.S. PATENT DOCUMENTS**

D252,681 S *	8/1979	Current	.....	D13/162
D279,554 S *	7/1985	Hicks	.....	D10/103
D301,585 S *	6/1989	Linn	.....	D15/138
D351,590 S *	10/1994	Whaley et al.	.....	D13/163
D352,911 S *	11/1994	Yamamoto et al.	.....	D10/75
D370,641 S *	6/1996	Quinones et al.	.....	D10/83
D378,782 S *	4/1997	LaBarbera et al.	.....	D24/232
D410,582 S *	6/1999	Bigler et al.	.....	D10/80
D437,795 S *	2/2001	Fischer	.....	D10/70

D449,280 S *	10/2001	Piacenza et al.	.....	D13/162
D467,349 S *	12/2002	Niedbala et al.	.....	D24/232
D534,654 S *	1/2007	Hayamizu	.....	D24/138
2002/0002767 A1*	1/2002	Yanagita et al.	.....	29/25.01
2004/0063319 A1*	4/2004	Toshima et al.	.....	438/689
2006/0162863 A1*	7/2006	Kim et al.	.....	156/345.35

\* cited by examiner

*Primary Examiner*—Selina Sikder

*Assistant Examiner*—Thomas J Johannes

(74) *Attorney, Agent, or Firm*—Mikio Ishimaru

(57) **CLAIM**

We claim the ornamental design for the processing apparatus, as shown and described.

**DESCRIPTION**

FIG. 1 is a perspective view of a processing apparatus showing our new design;

FIG. 2 is a perspective view of a processing apparatus showing our new design with its top up;

FIG. 3 is a front elevational view thereof;

FIG. 4 is a back elevational view thereof;

FIG. 5 is a right side view thereof;

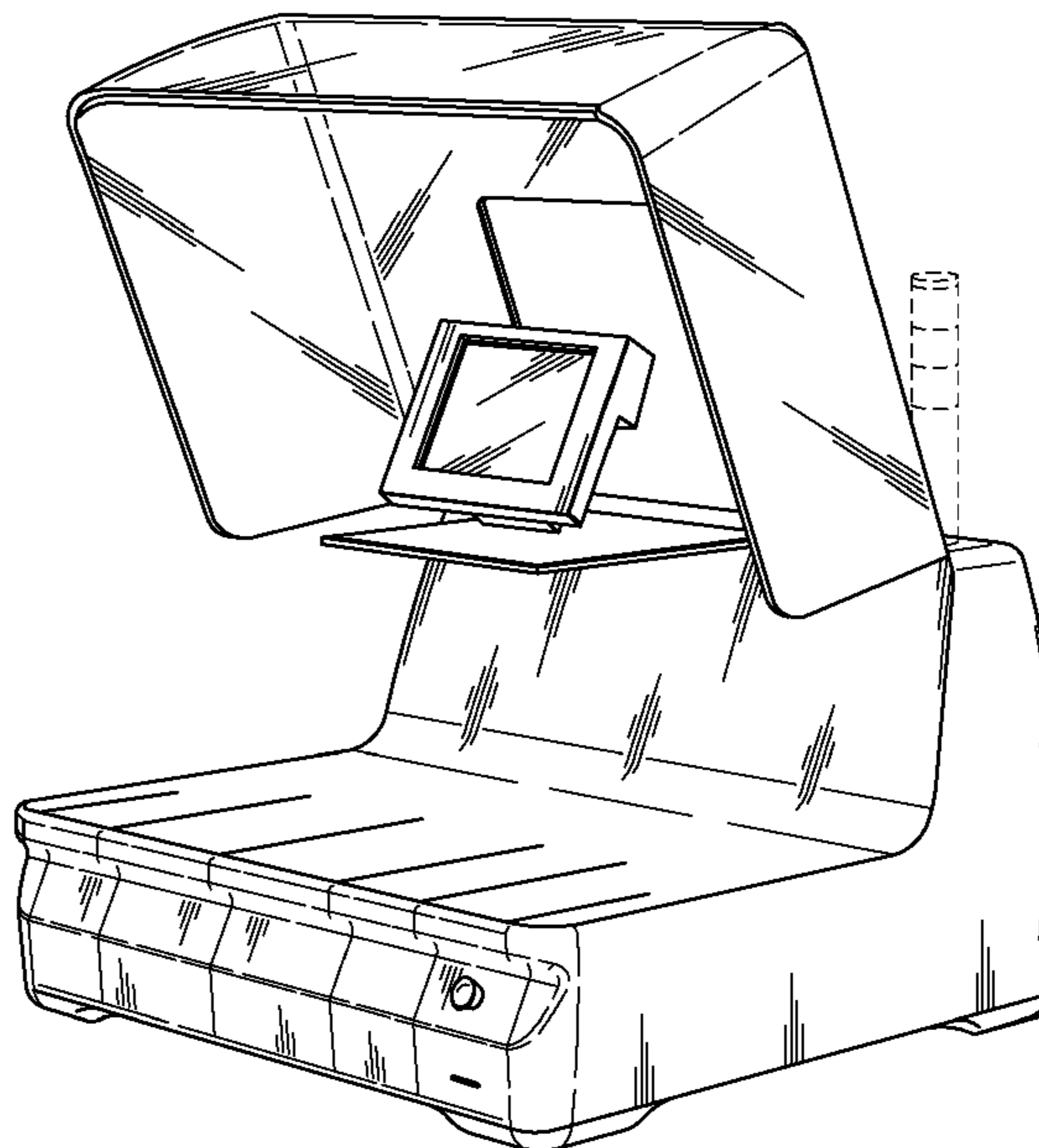
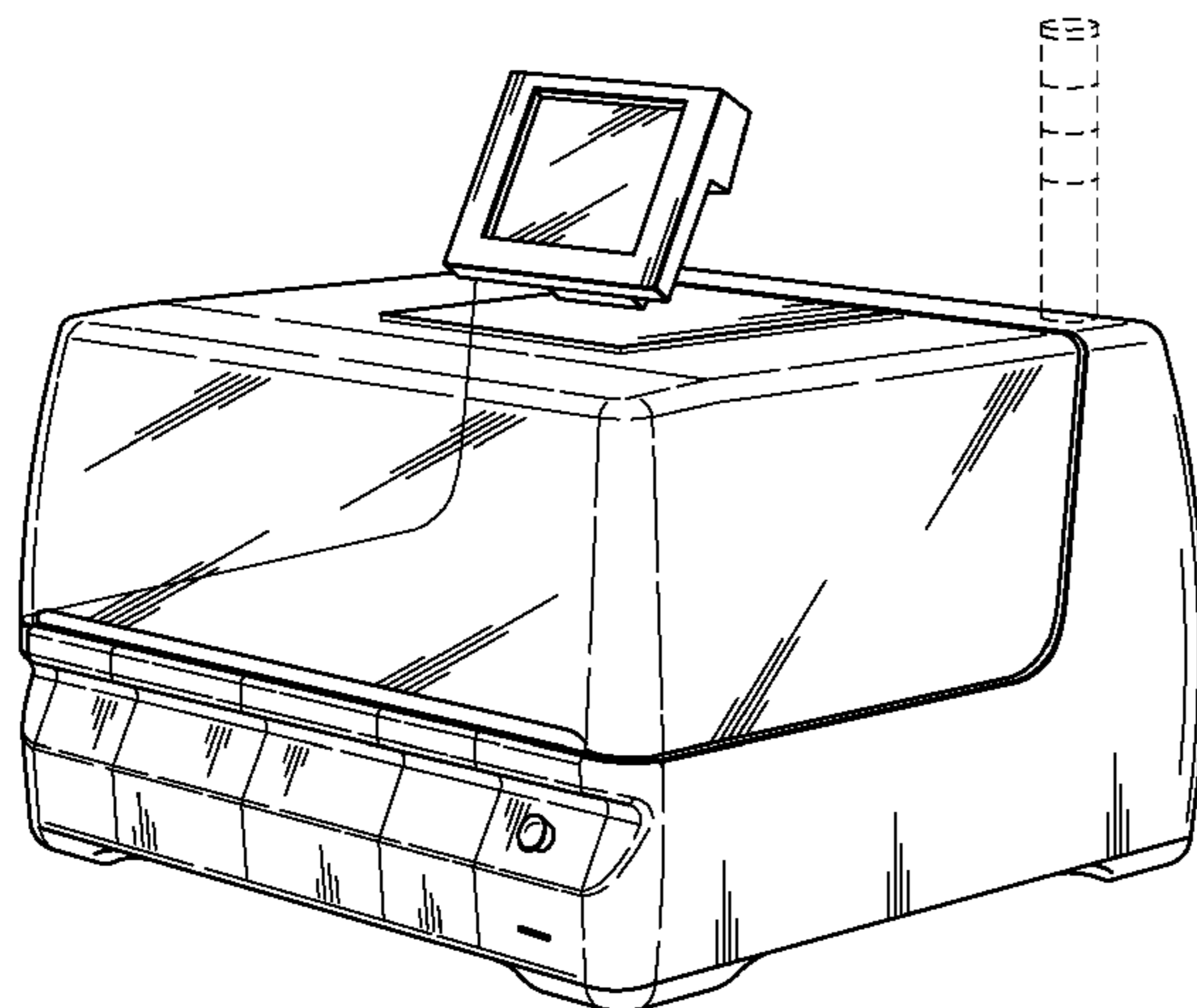
FIG. 6 is a left side elevational view thereof

FIG. 7 is a top plan elevational view thereof; and,

FIG. 8 is a bottom plan view thereof.

The broken line showing of a cylindrical form on the top surface of the processing apparatus in the figure drawings forms no part of the claimed design.

**1 Claim, 5 Drawing Sheets**



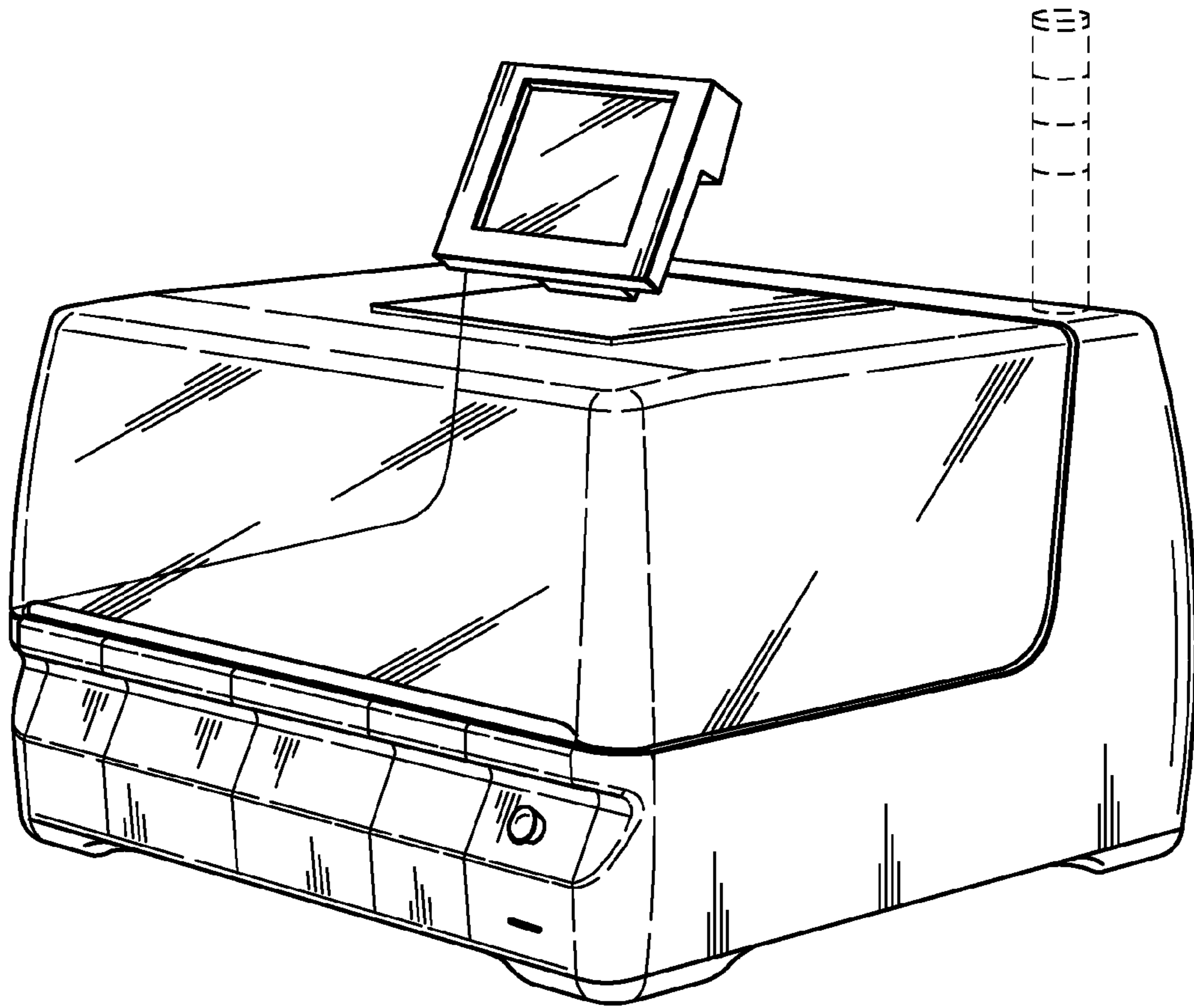


FIG. 1

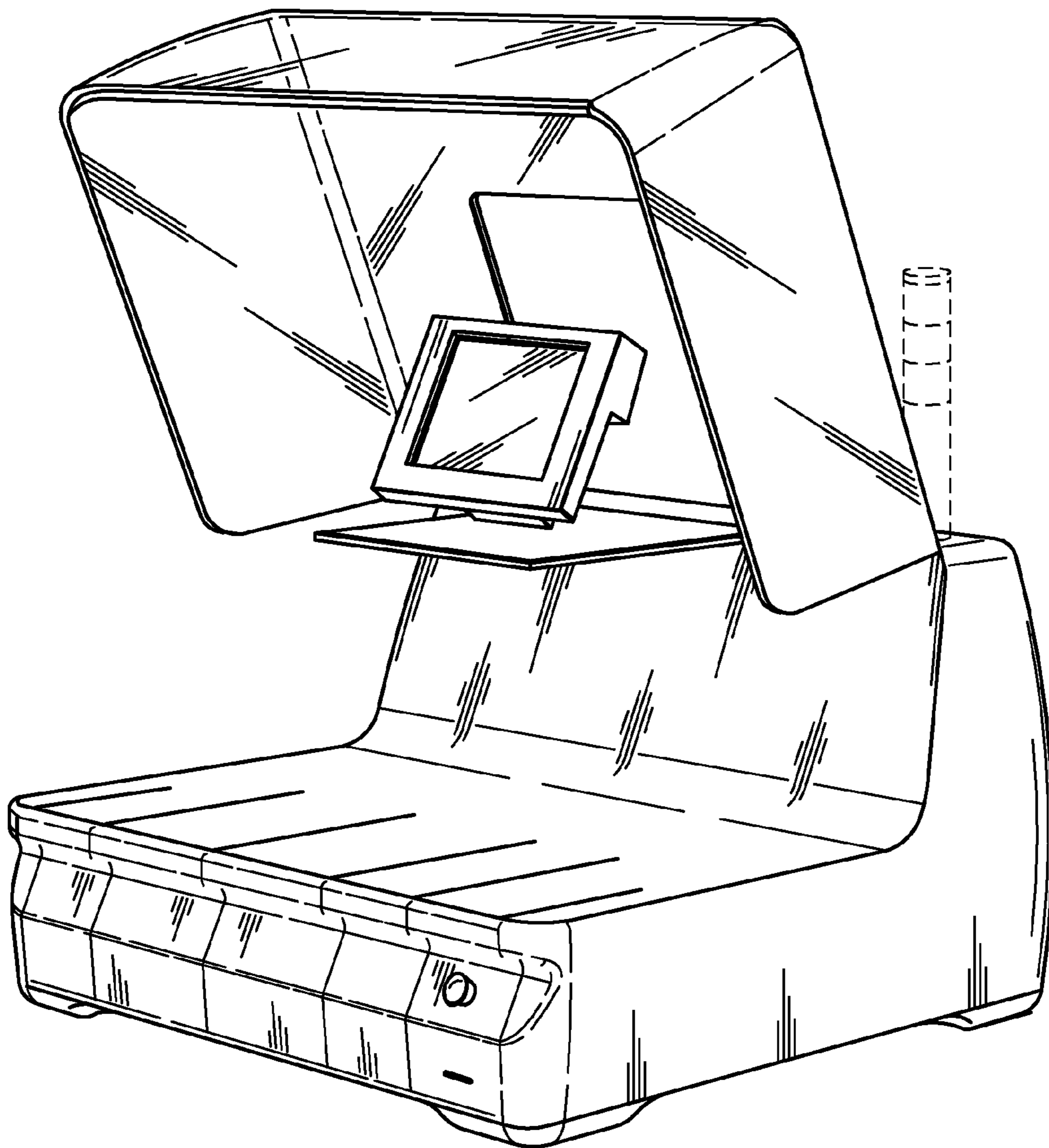


FIG. 2

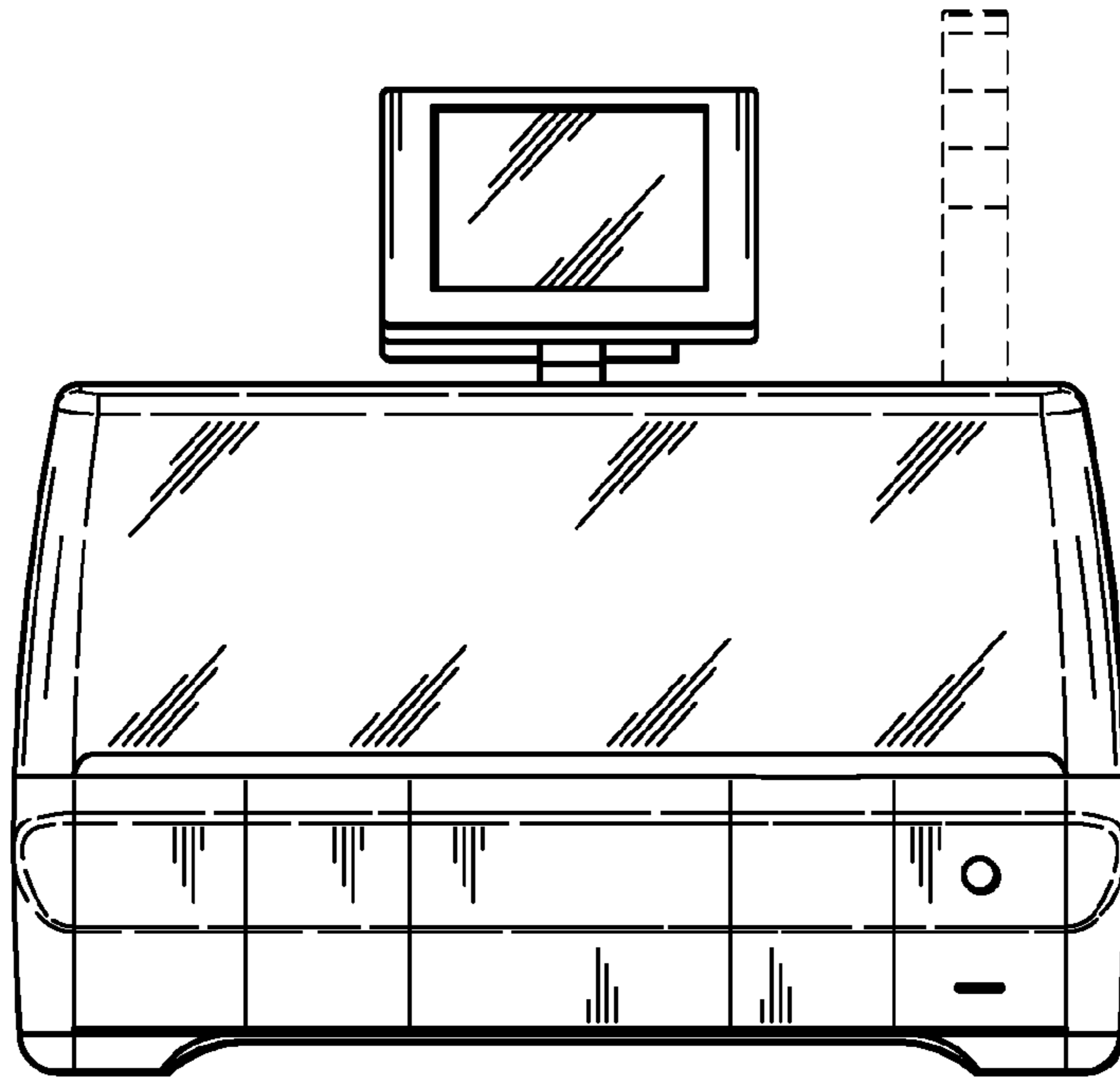


FIG. 3

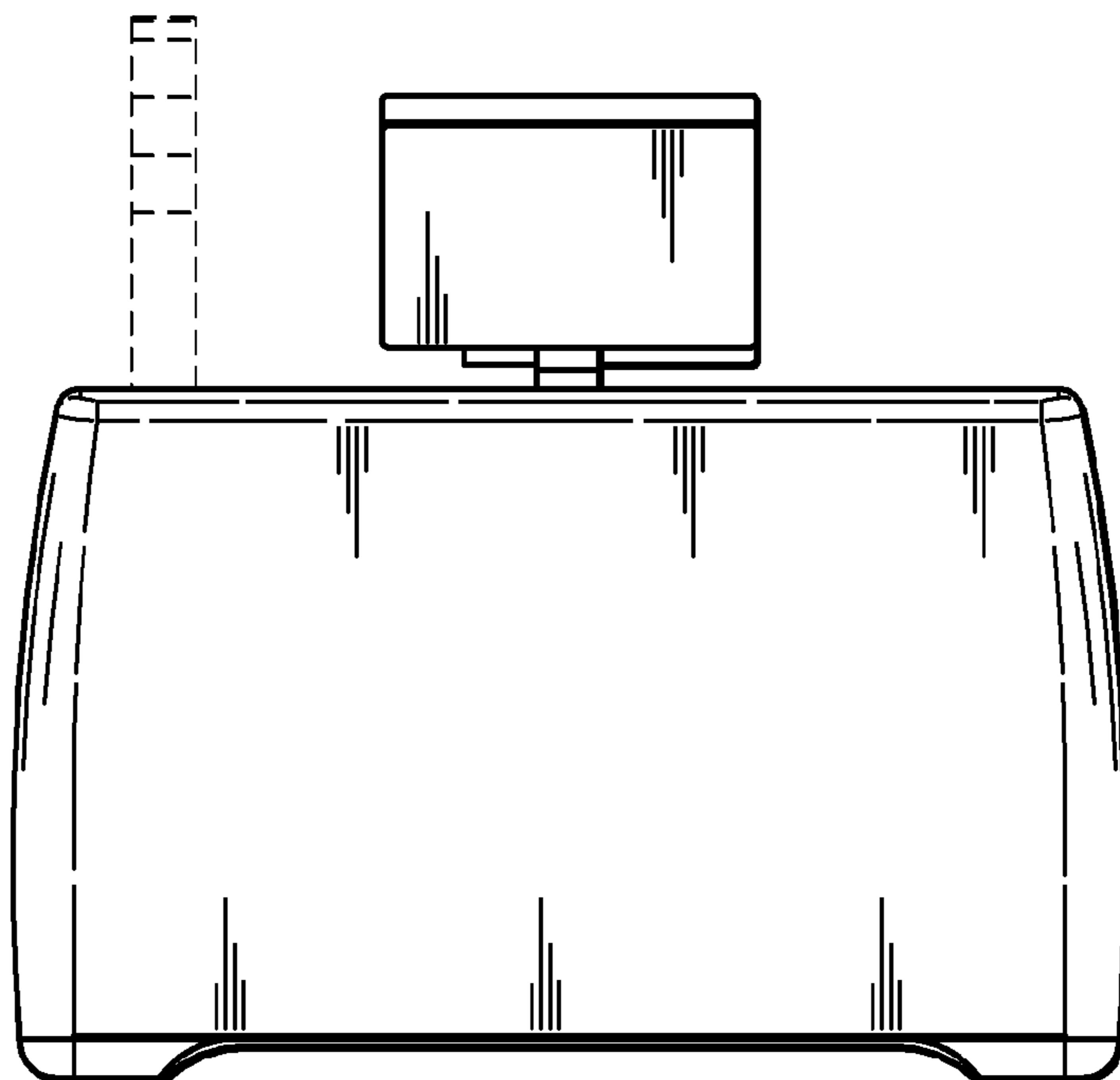


FIG. 4

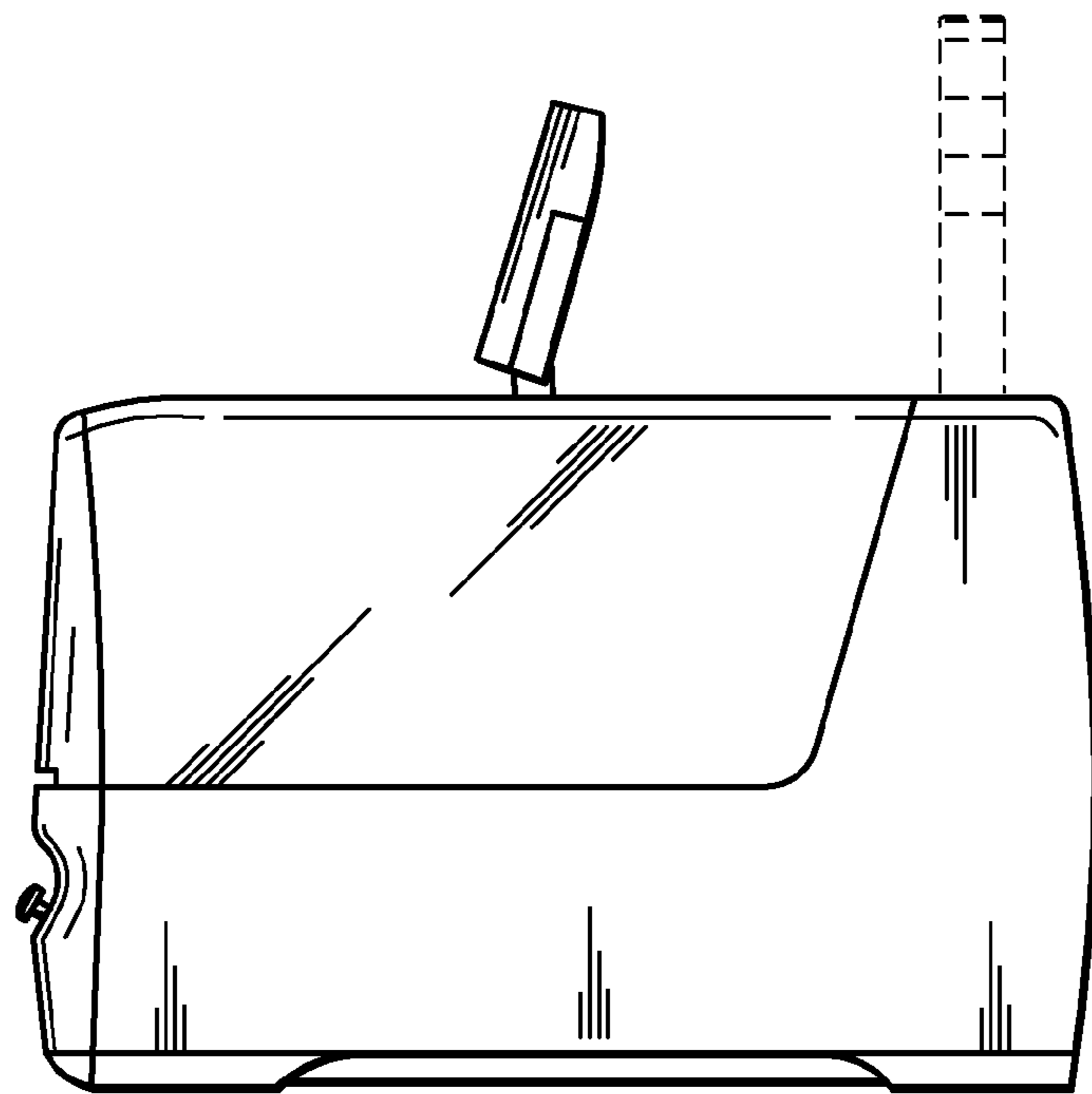


FIG. 5

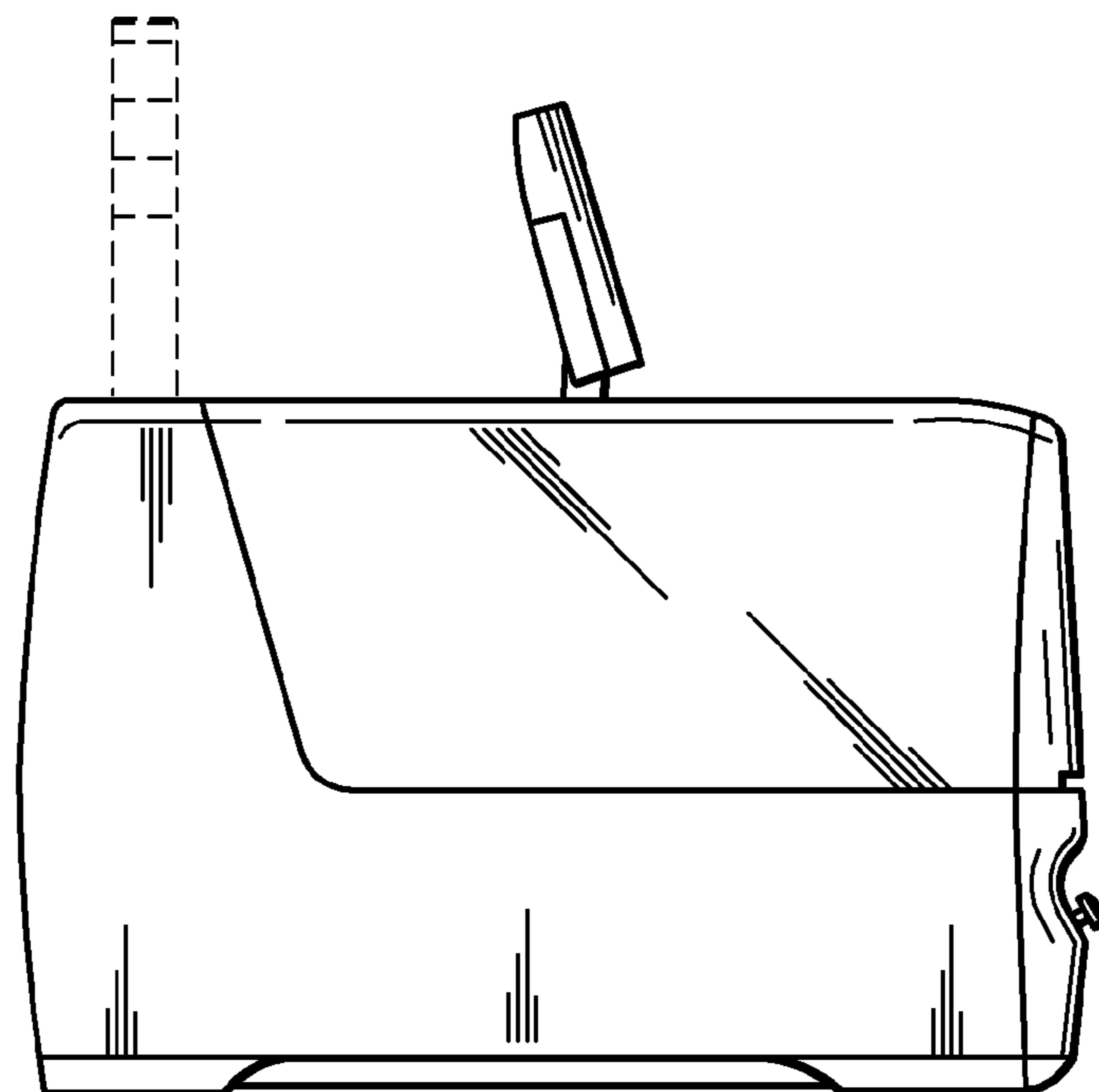


FIG. 6

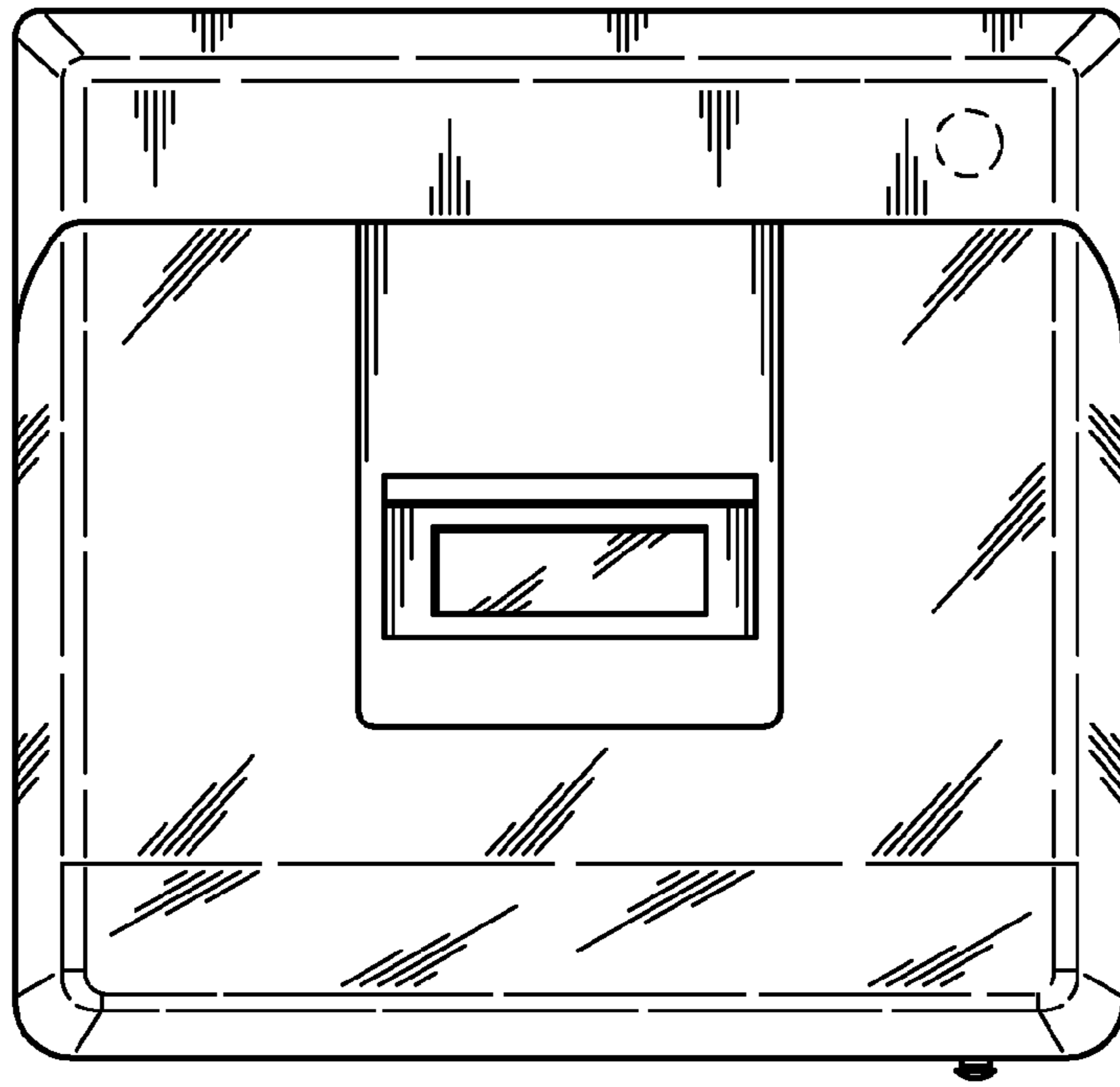


FIG. 7

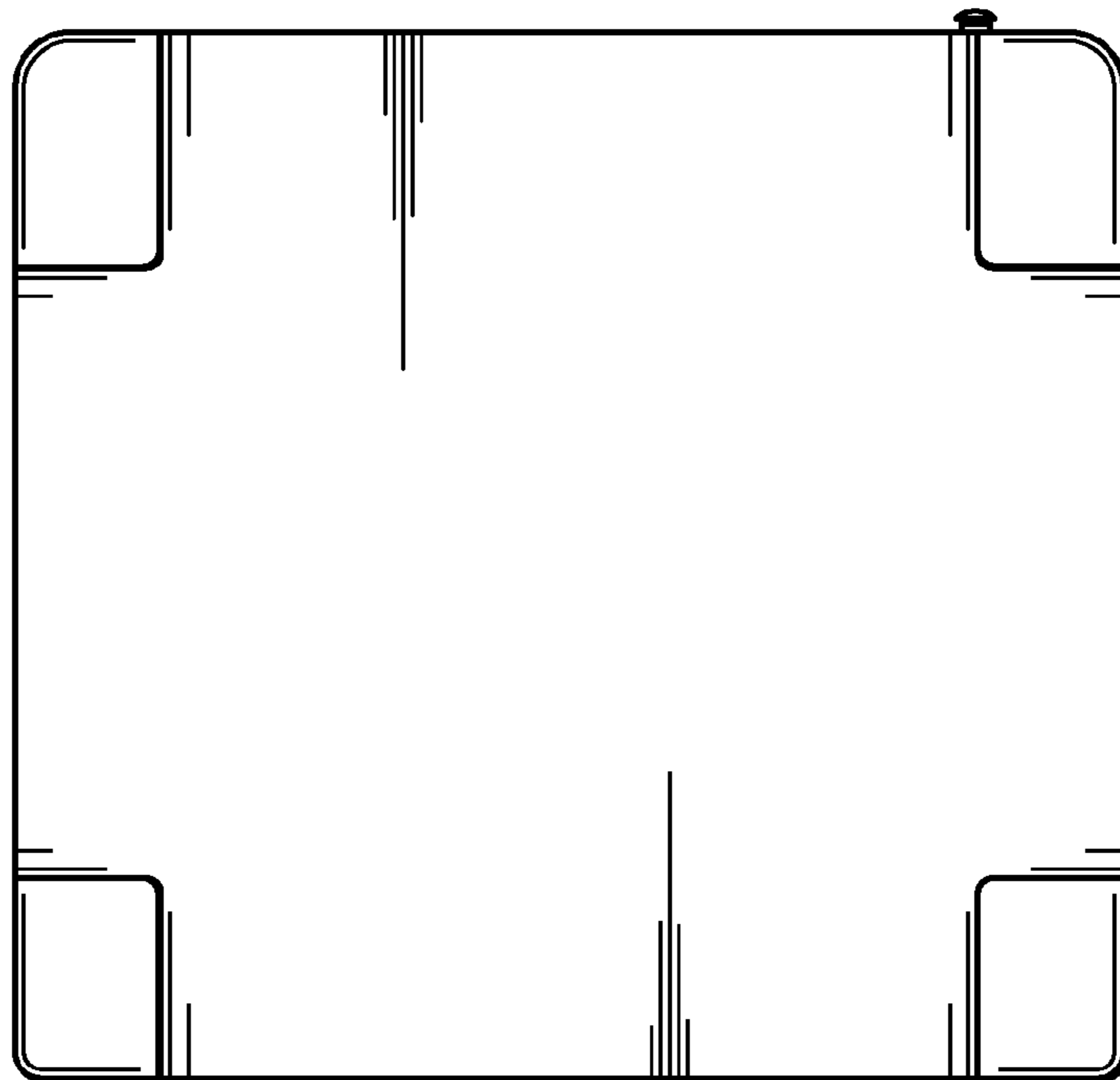


FIG. 8