



US00D554067S

(12) **United States Design Patent** (10) **Patent No.:** **US D554,067 S**
Phung et al. (45) **Date of Patent:** **** Oct. 30, 2007**

(54) **CONNECTOR HOUSING**

(75) Inventors: **Phillip Phung**, Kirkland, WA (US);
Jennifer M. Waite, Renton, WA (US);
Max R. Banaker, Bellevue, WA (US);
Patrick S. McNutt, Carnation, WA
(US)

(73) Assignee: **Leviton Manufacturing Co., Inc.**,
Little Neck, NY (US)

(**) Term: **14 Years**

(21) Appl. No.: **29/275,114**

(22) Filed: **Dec. 13, 2006**

Related U.S. Application Data

(62) Division of application No. 29/213,597, filed on Sep.
20, 2004, now Pat. No. Des. 543,947.

(51) **LOC (8) Cl.** **13-03**

(52) **U.S. Cl.** **D13/151**

(58) **Field of Classification Search** D13/133-134,
D13/151, 154, 184, 199; D14/432-433;
D23/259-260; 361/704, 709-710; 439/350-356,
439/548, 556, 558, 587, 699.2

See application file for complete search history.

(56) **References Cited**

U.S. PATENT DOCUMENTS

3,346,279	A	10/1967	Stachiw et al.	
4,645,281	A	2/1987	Burger	
D362,900	S	10/1995	Miska	
D368,250	S *	3/1996	Castaldo	D13/156
D387,730	S	12/1997	McCarthy	
D402,354	S	12/1998	Strong et al.	
5,937,450	A	8/1999	Jones	
D492,934	S	7/2004	Lingemann et al.	
6,875,042	B2 *	4/2005	Melzner et al.	439/366
D508,236	S *	8/2005	Duke et al.	D13/184

D515,521	S	2/2006	Stewart et al.	
7,153,171	B1 *	12/2006	Goto	439/699.2
2005/0153593	A1 *	7/2005	Takayanagi et al.	439/352
2006/0068625	A1 *	3/2006	Kim et al.	439/271
2007/0012474	A1 *	1/2007	McNutt et al.	174/135

OTHER PUBLICATIONS

Hubbell Incorporated, Hubbell Premier Wiring, Connecting Hardware for Harsh Environments, HI-IMPACT Category 5e Shielded Connector, DS-E14, 2 pages, Stonington, CT.

* cited by examiner

Primary Examiner—Daniel Bui

(74) *Attorney, Agent, or Firm*—George C. Rondeau, Jr.;
Davis Wright Tremaine LLP

(57) **CLAIM**

The ornamental design for a connector housing, as shown and described.

DESCRIPTION

FIG. 1 is a front perspective view of a connector housing showing our new design.

FIG. 2 is a rear perspective view thereof.

FIG. 3 is a top plan view thereof.

FIG. 4 is a bottom plan view thereof.

FIG. 5 is a side elevational view thereof.

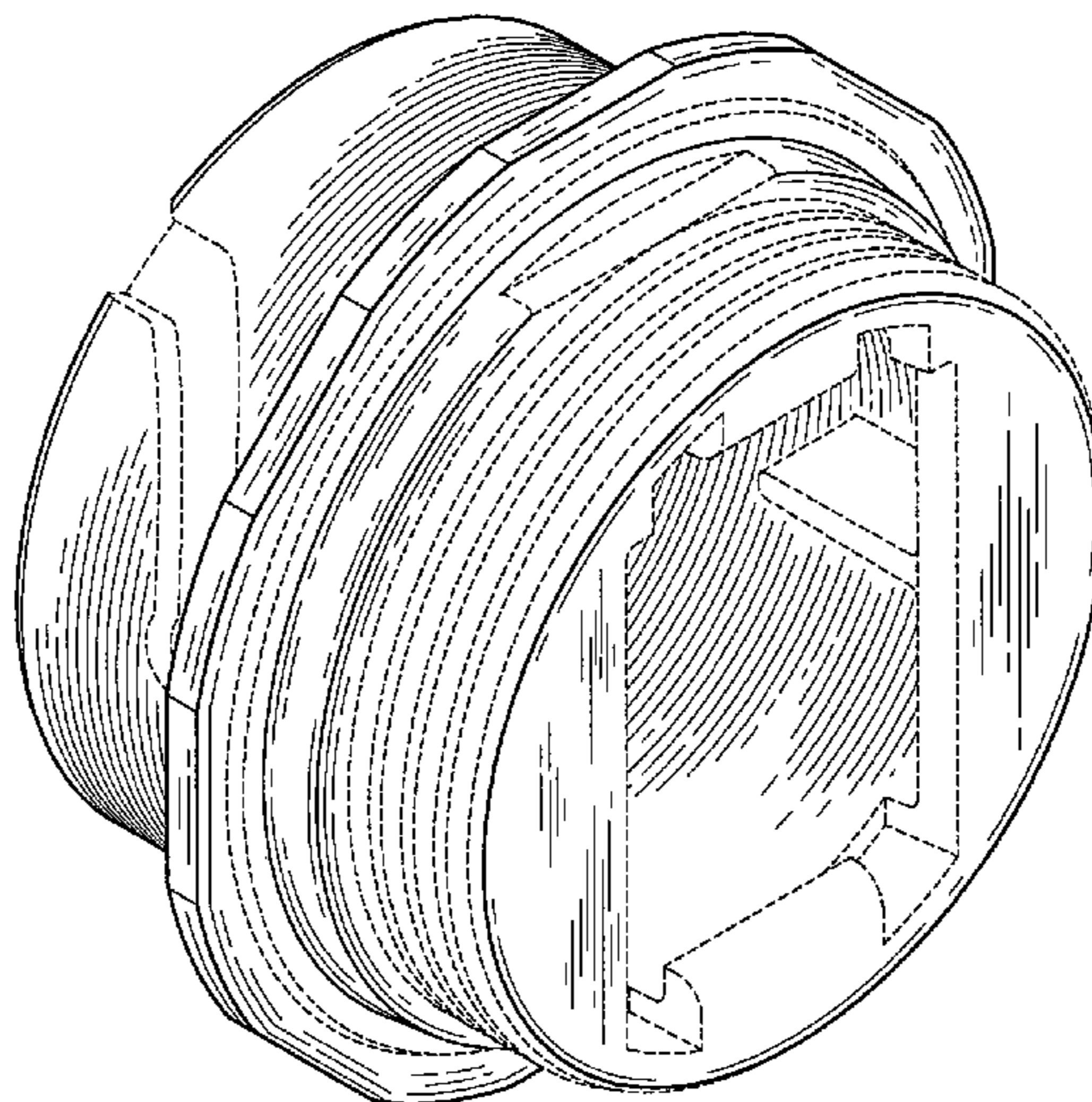
FIG. 6 is another side elevational view thereof shown rotated 90 degrees from the view of FIG. 5.

FIG. 7 is another side elevational view thereof shown rotated 90 degrees from the view of FIG. 6; and,

FIG. 8 is another side elevational view thereof shown rotated 90 degrees from the view of FIG. 7.

The broken lines are for illustrative purposes only and form no part of the claimed design.

1 Claim, 4 Drawing Sheets



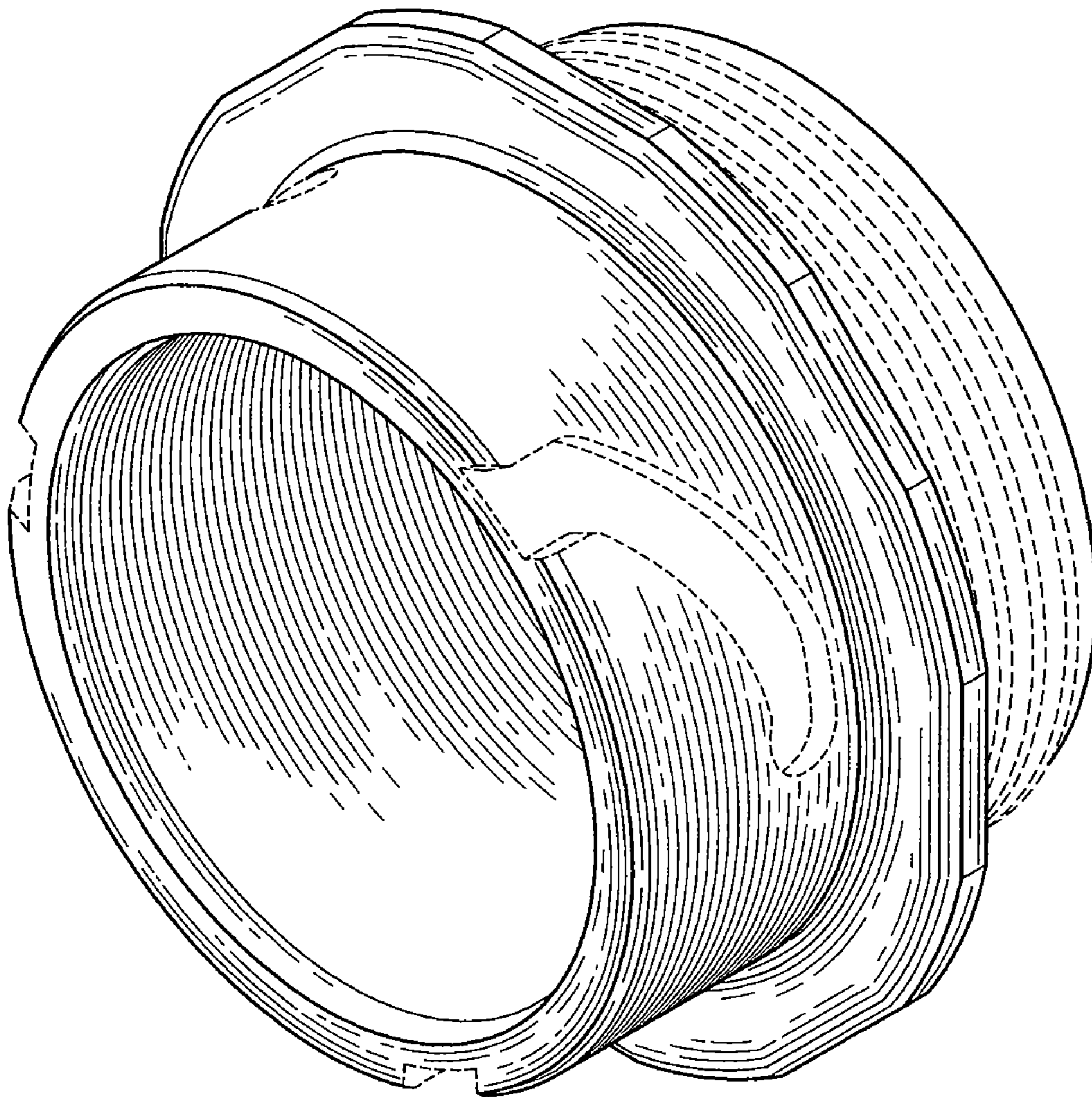


Fig. 1

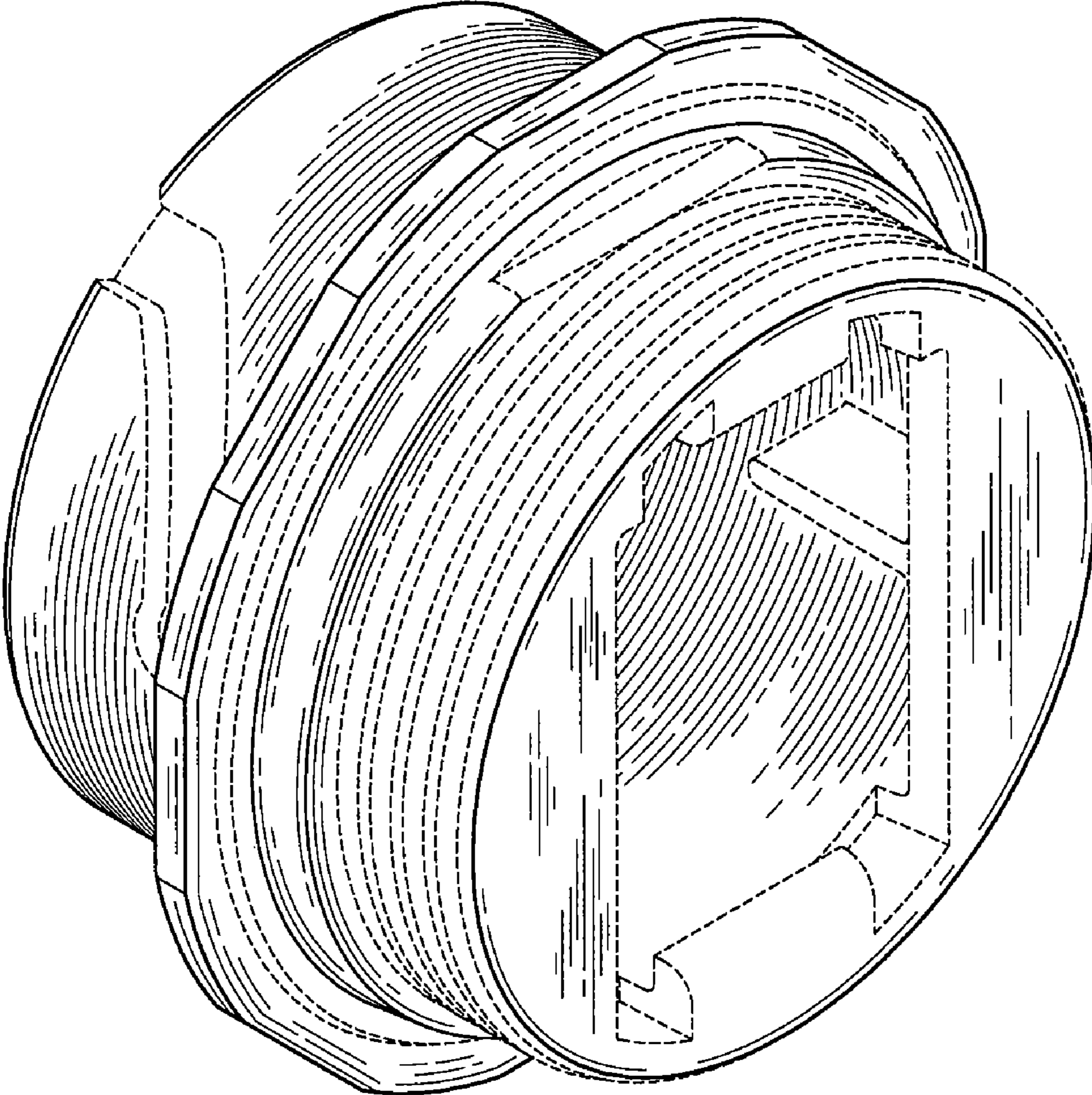


Fig. 2

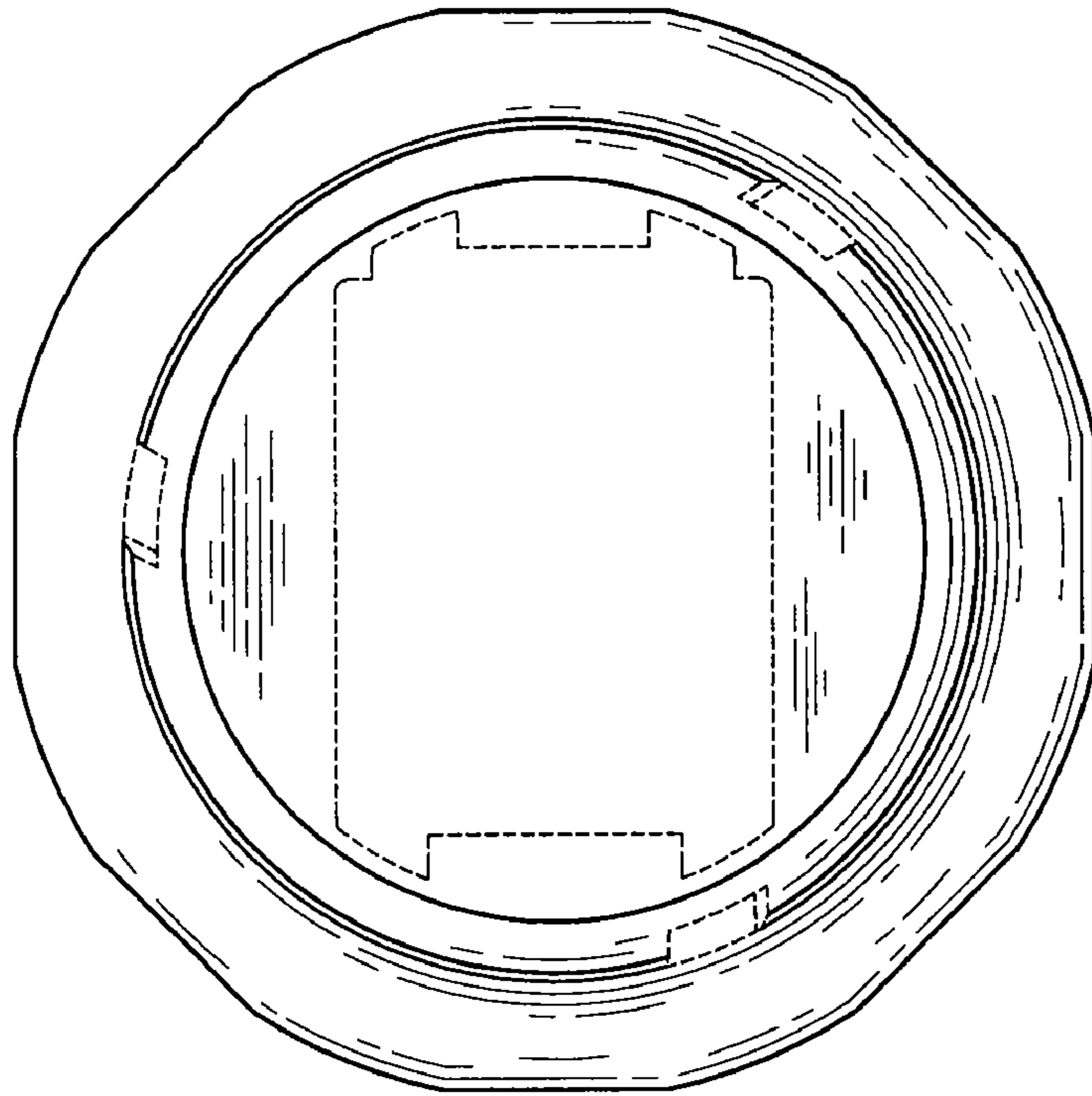


Fig. 3

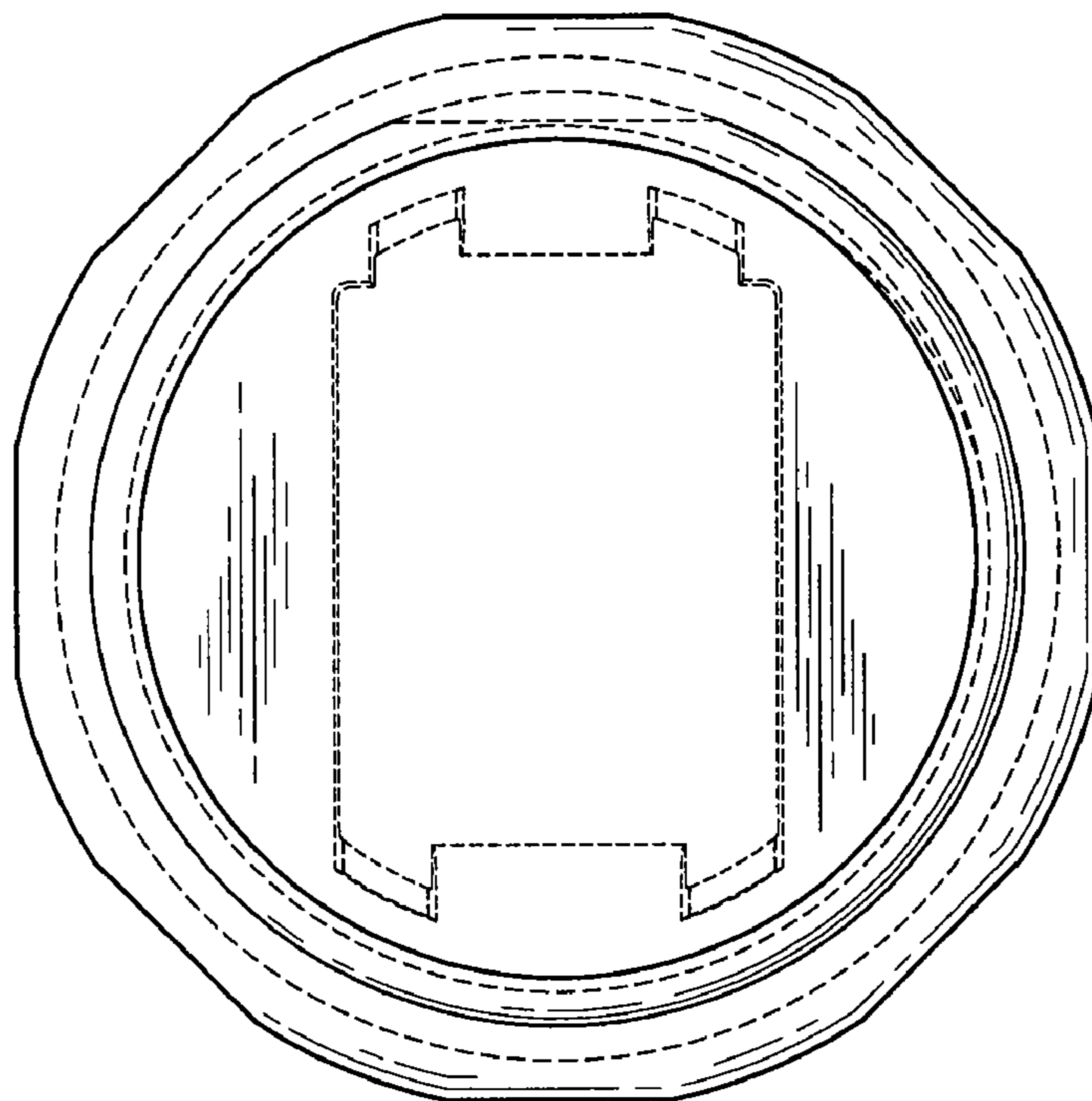


Fig. 4

Fig. 5

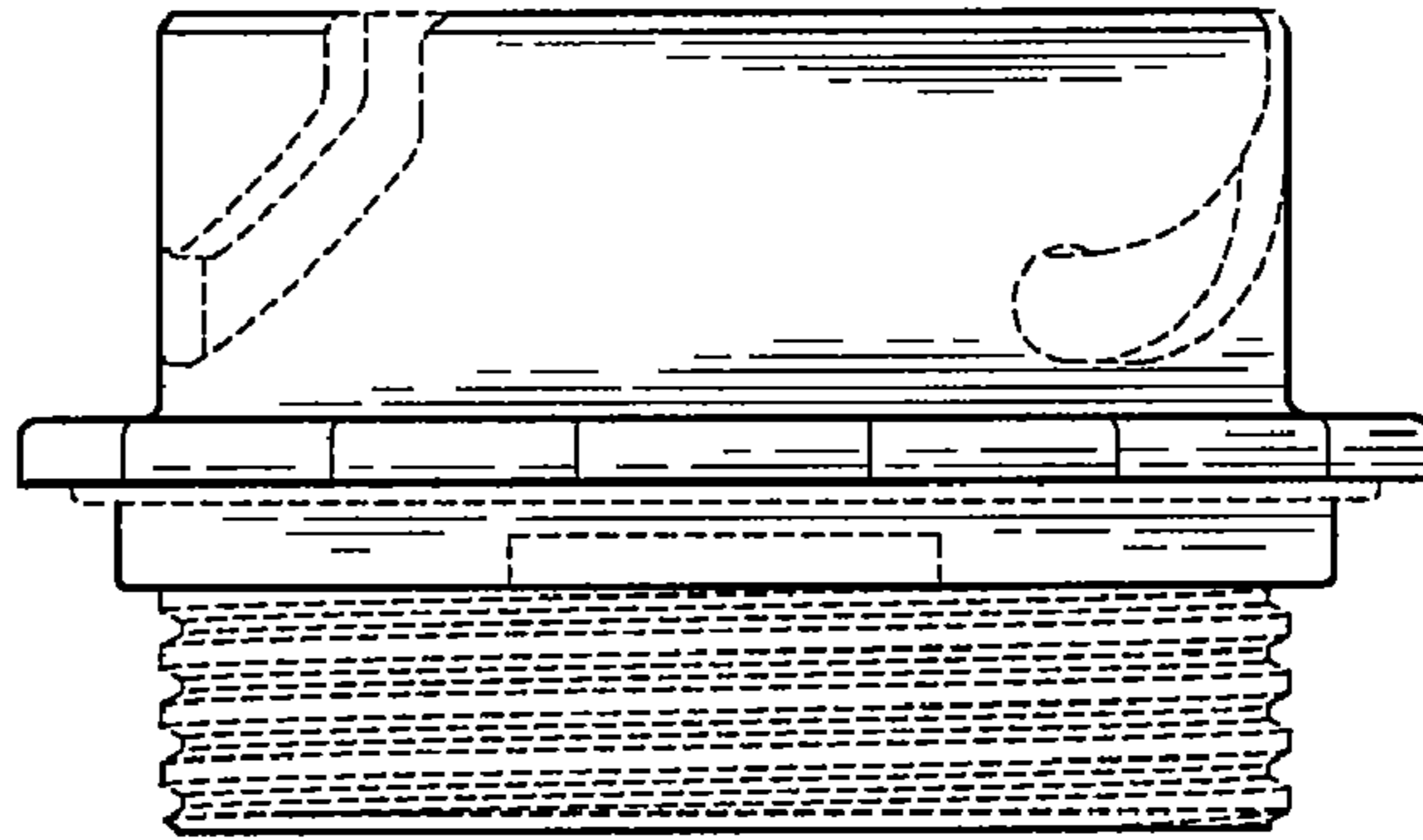


Fig. 6

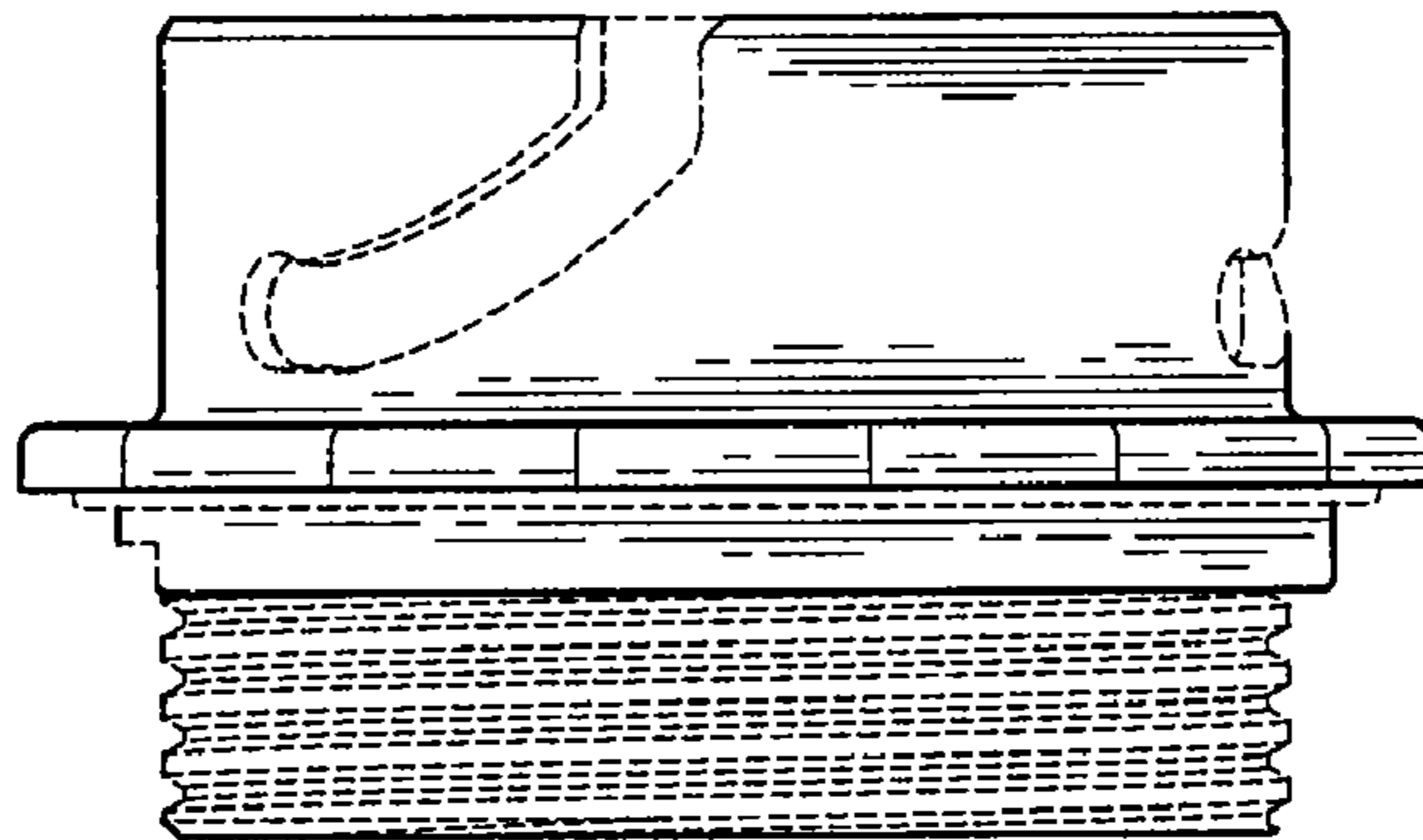


Fig. 7

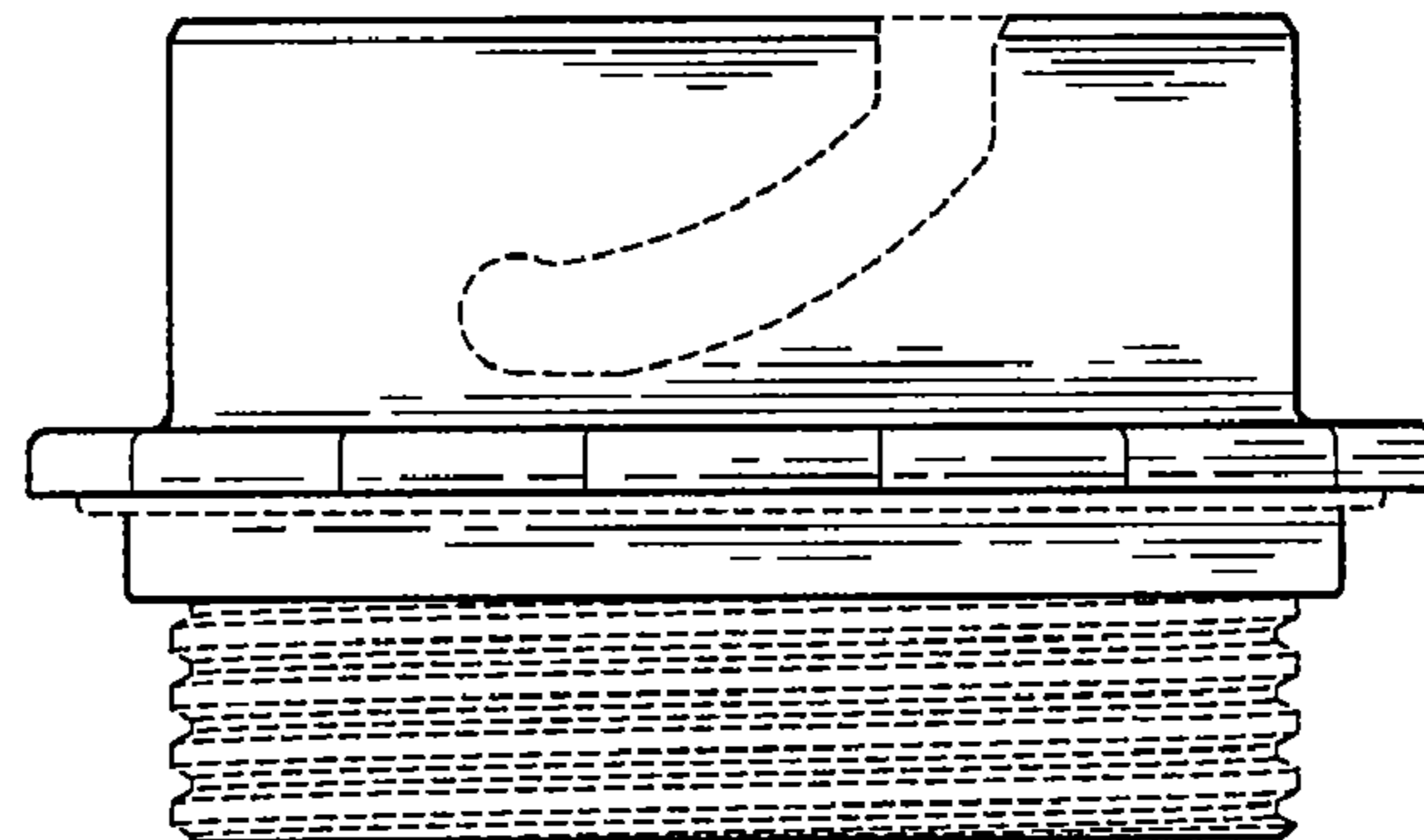


Fig. 8

