



US00D554065S

(12) **United States Design Patent**  
**Ho et al.**

(10) **Patent No.:** **US D554,065 S**

(45) **Date of Patent:** **\*\* Oct. 30, 2007**

(54) **USB CONNECTOR**

(75) Inventors: **Hsin Tsung Ho**, Tu-Cheng (TW); **Yu Hung Su**, Tu-Cheng (TW); **Chung Tsin Huang**, Tu-Cheng (TW); **Mei Chuan Yang**, Tu-Cheng (TW)

(73) Assignee: **Cheng Uei Precision Industry Co., Ltd.**, Taipei Hsien (TW)

(\*\*) Term: **14 Years**

(21) Appl. No.: **29/265,356**

(22) Filed: **Aug. 31, 2006**

(51) **LOC (8) Cl.** ..... **13-03**

(52) **U.S. Cl.** ..... **D13/147**

(58) **Field of Classification Search** ..... D13/123,  
D13/133, 146-147, 154, 184, 199; D14/356,  
D14/432, 433, 435, 438; 439/350, 352, 357-358,  
439/606-610, 660, 677, 680-682, 686, 936  
See application file for complete search history.

(56) **References Cited**

**U.S. PATENT DOCUMENTS**

D395,036 S \* 6/1998 Goto ..... D13/147  
D429,484 S \* 8/2000 Nishio et al. .... D13/147  
D432,500 S \* 10/2000 Nishio et al. .... D13/147  
D452,217 S \* 12/2001 Shimojyo ..... D13/147

6,508,678 B1 \* 1/2003 Yang ..... 439/677  
D486,794 S \* 2/2004 Okamoto ..... D13/147  
D491,894 S \* 6/2004 Jiang ..... D13/147  
D516,037 S \* 2/2006 Huang et al. .... D13/147  
2006/0148300 A1 \* 7/2006 Huang et al. .... 439/353

\* cited by examiner

*Primary Examiner*—Daniel Bui

(74) *Attorney, Agent, or Firm*—Rosenberg, Klein & Lee

(57) **CLAIM**

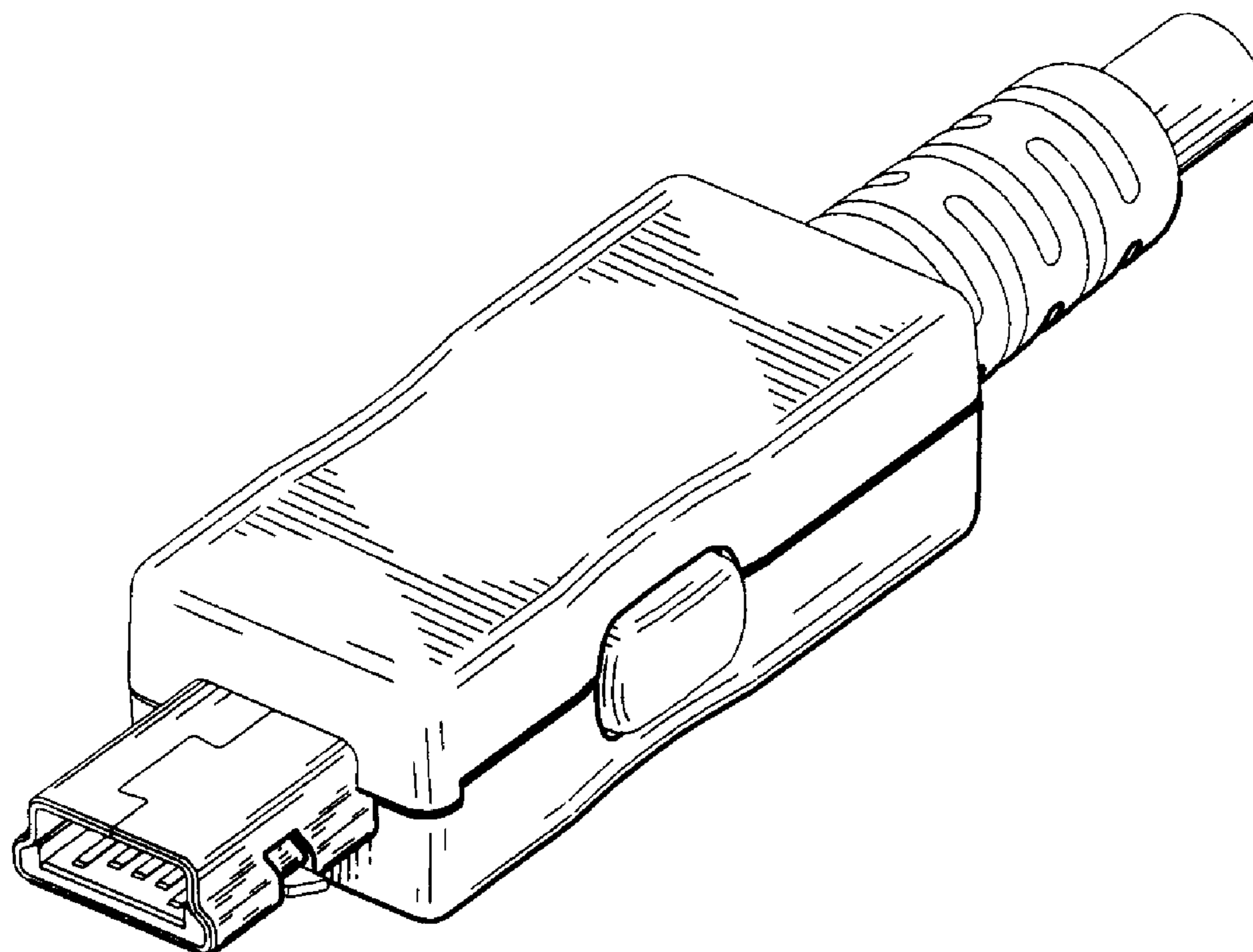
The ornamental design for a USB connector, as shown and described.

**DESCRIPTION**

FIG. 1 is a front, top and right side perspective view of a USB connector, showing our new design;  
FIG. 2 is a front elevational view thereof;  
FIG. 3 is a rear elevational view thereof;  
FIG. 4 is a left side elevational view thereof;  
FIG. 5 is a right side elevational view thereof;  
FIG. 6 is a top plan view thereof; and,  
FIG. 7 is a bottom plan view thereof.

The broken line showing of the environment is for illustrative purposes only and forms no part of the claimed design.

**1 Claim, 7 Drawing Sheets**



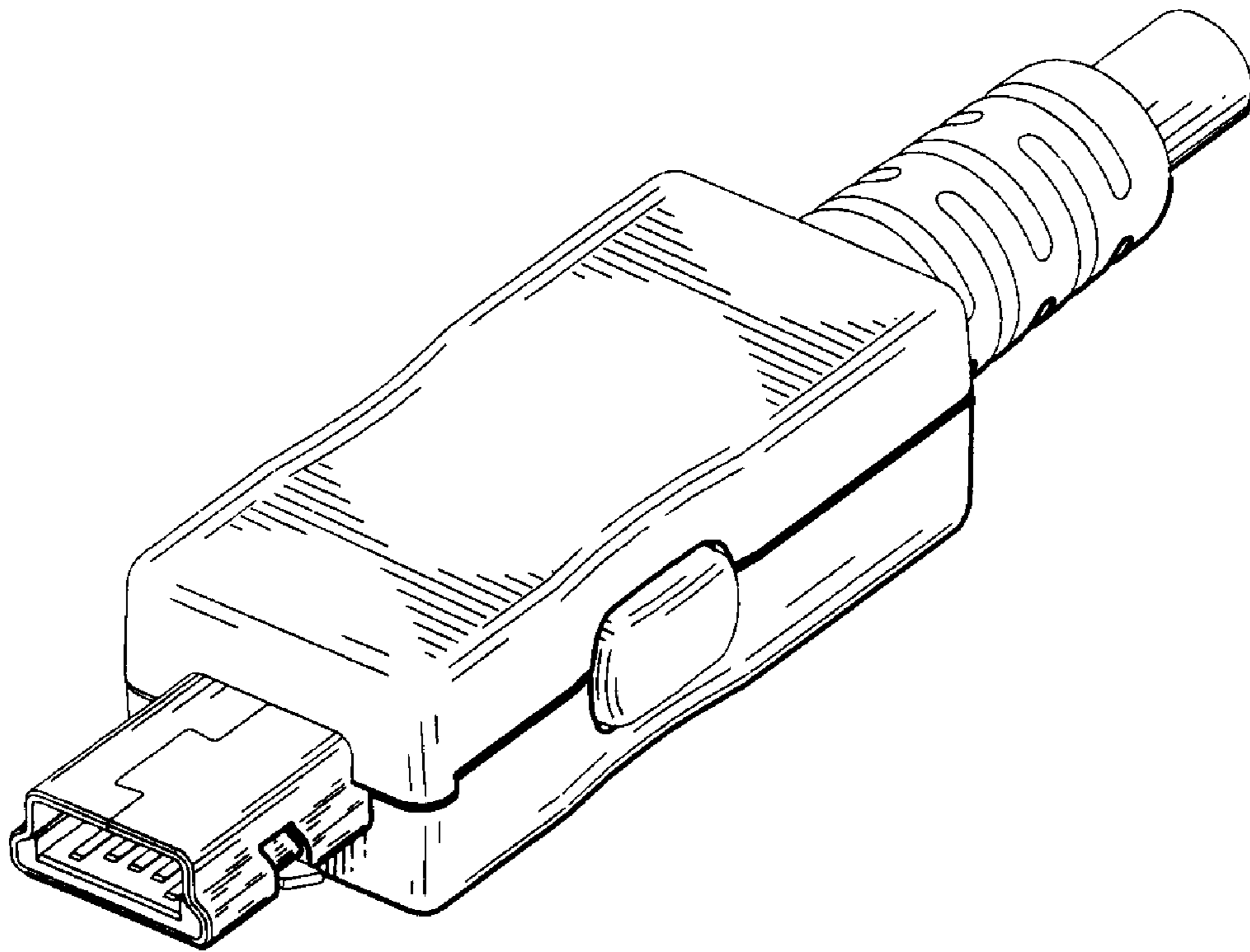


FIG. 1

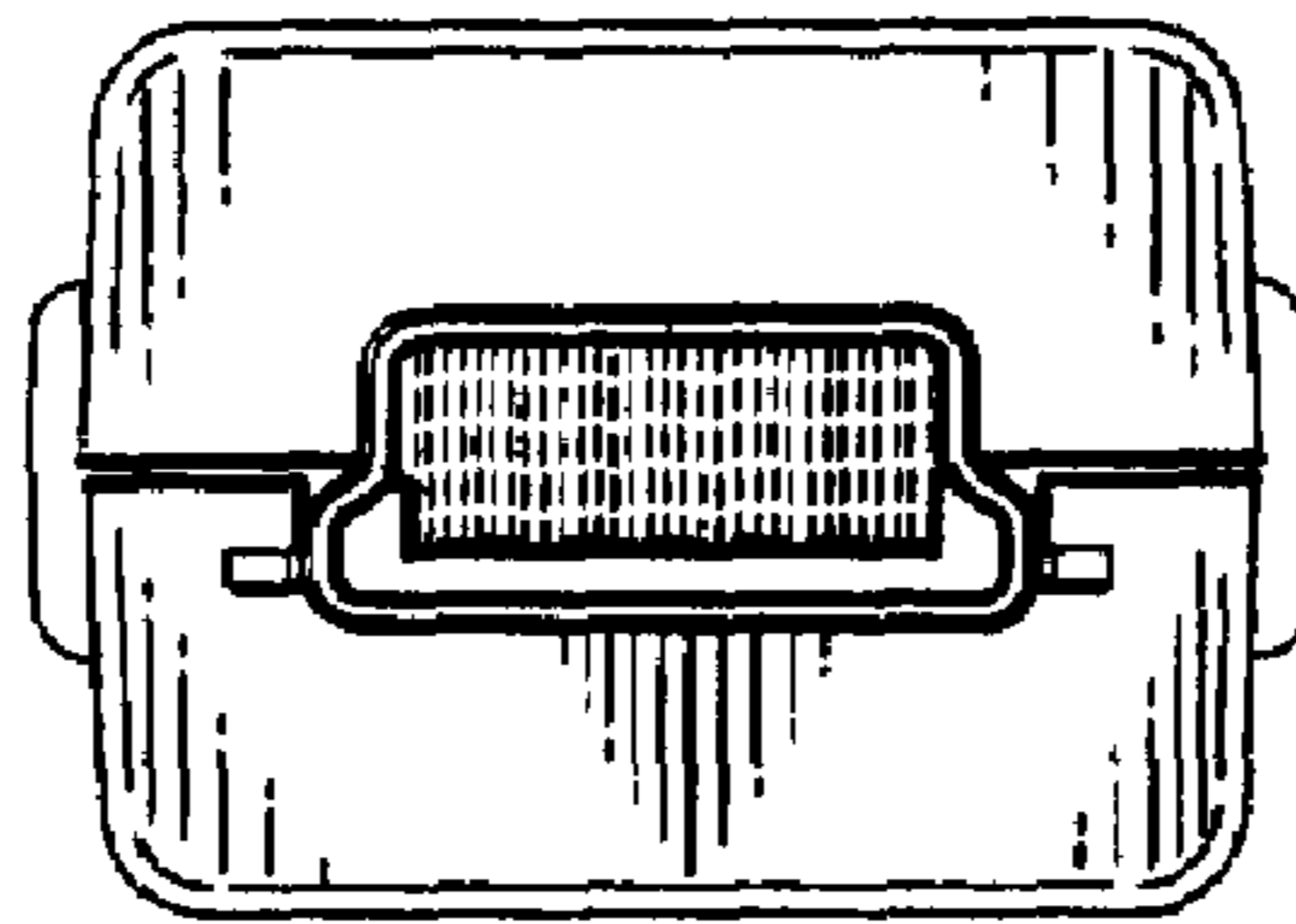


FIG. 2

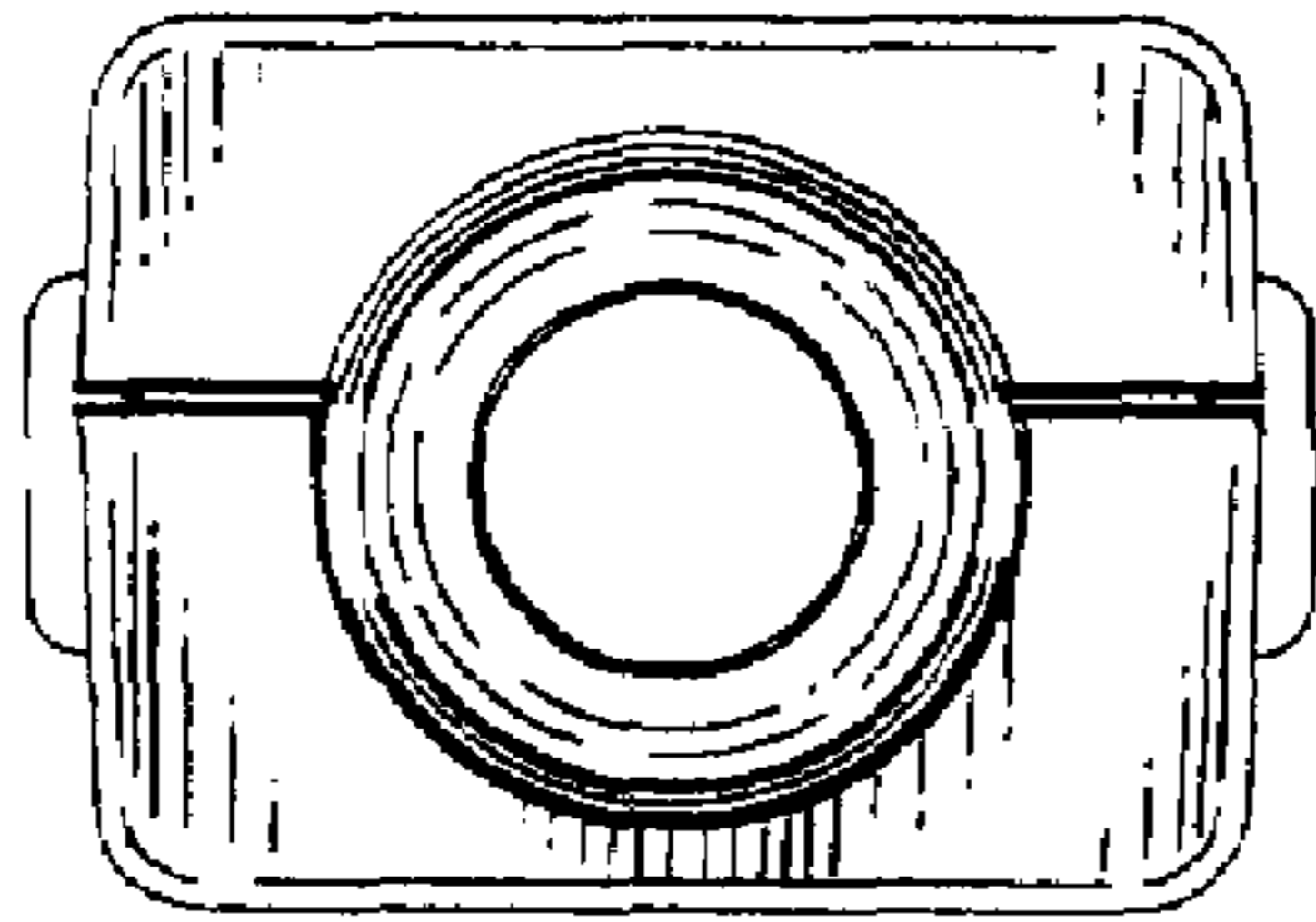


FIG. 3

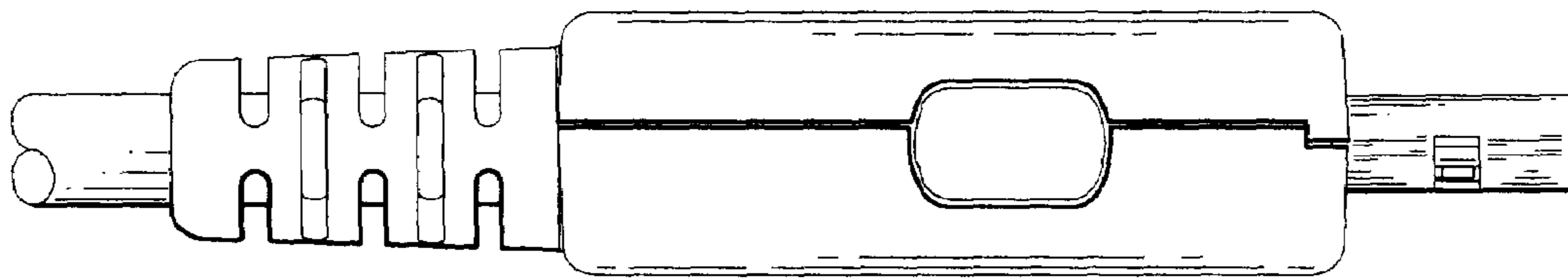


FIG. 4

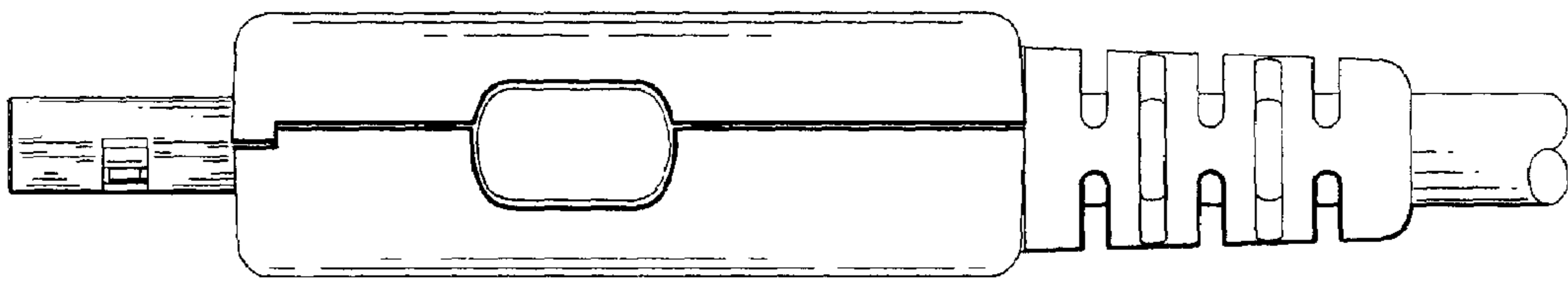


FIG. 5

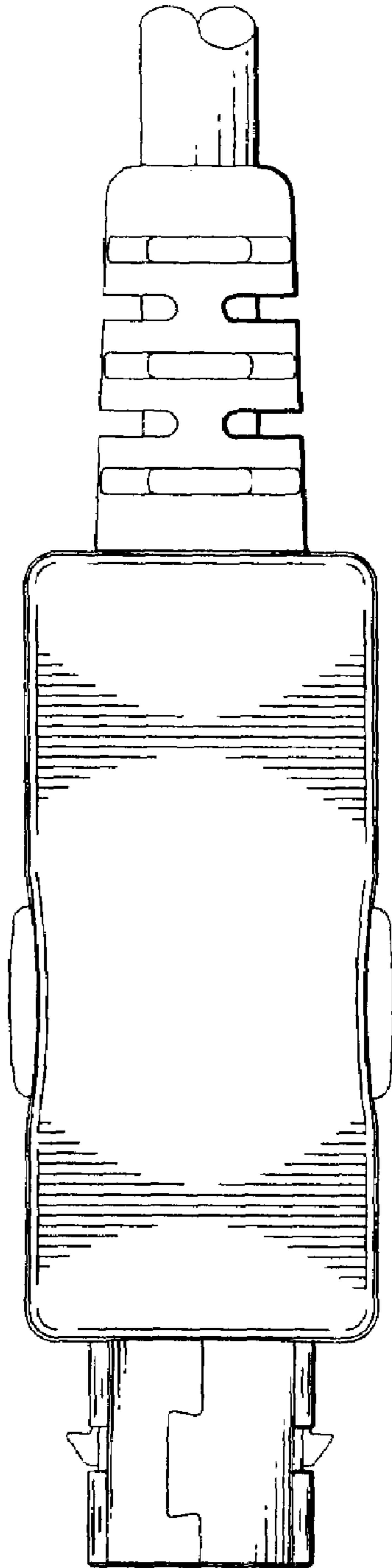


FIG. 6

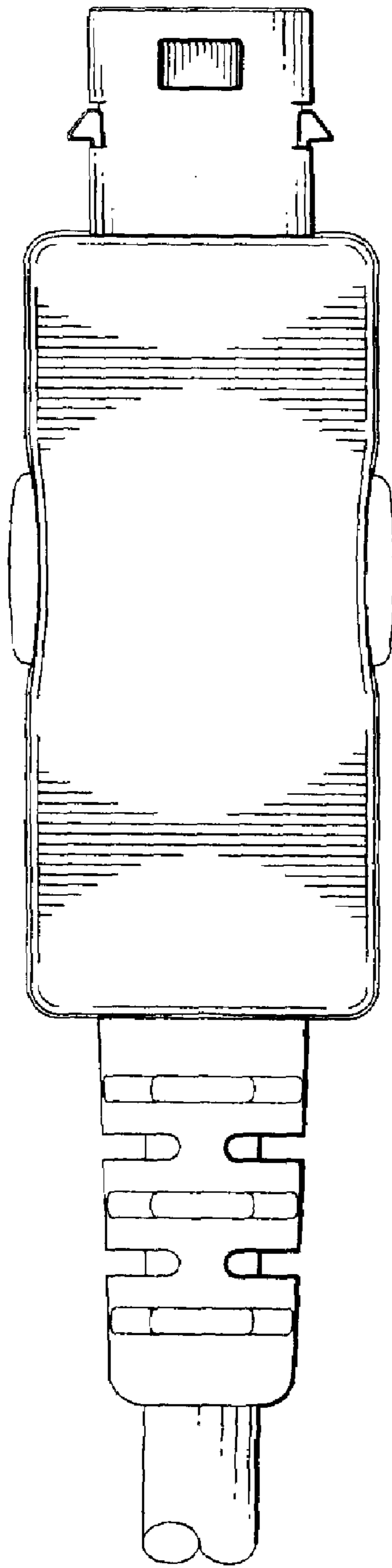


FIG. 7