



US00D554064S

(12) **United States Design Patent**  
**Ng**

(10) **Patent No.:** **US D554,064 S**

(45) **Date of Patent:** **\*\* Oct. 30, 2007**

(54) **SURGE PROTECTOR WITH A POWER BAR EXTENSION**

(76) Inventor: **Kenneth Yat Chung Ng**, 1111 Corporate Center Dr., #304A, Monterey Park, CA (US) 91754

(\*\*) Term: **14 Years**

(21) Appl. No.: **29/262,277**

(22) Filed: **Jun. 28, 2006**

(51) **LOC (8) Cl.** ..... **13-03**

(52) **U.S. Cl.** ..... **D13/139.8**

(58) **Field of Classification Search** ..... D13/137.1, D13/137.3, 137.4, 139.1, 139.4, 139.6–139.8, D13/124, 160, 162, 164, 178, 184; 361/118, 361/119; 439/106–108, 188, 535, 650–654  
See application file for complete search history.

(56) **References Cited**

**U.S. PATENT DOCUMENTS**

D350,940 S *	9/1994	Rossman et al.	.....	D13/139.8
D368,467 S *	4/1996	Parshad	.....	D13/139.8
D368,893 S *	4/1996	Harwood et al.	.....	D13/139.8
D411,511 S *	6/1999	Rossman et al.	.....	D13/139.6
D443,591 S *	6/2001	Tong et al.	.....	D13/139.8
D445,091 S *	7/2001	Tong et al.	.....	D13/139.8
D446,189 S *	8/2001	Lee	.....	D13/139.8
D467,875 S *	12/2002	Barger et al.	.....	D13/139.8
D484,098 S *	12/2003	Lee	.....	D13/139.8
D508,231 S *	8/2005	Loftus et al.	.....	D13/139.1
D514,517 S *	2/2006	Loftus et al.	.....	D13/139.1
D521,452 S *	5/2006	Mori et al.	.....	D13/139.8
D537,040 S *	2/2007	Chesebro et al.	.....	D13/139.8

\* cited by examiner

*Primary Examiner*—Cathron Brooks  
*Assistant Examiner*—Rosemary K. Tarcza

(57) **CLAIM**

The ornamental design for a surge protector with a power bar extension, as shown and described.

**DESCRIPTION**

FIG. 1 is a perspective view of a surge protector with a power bar extension showing my new design;

FIG. 2 is a top view thereof;

FIG. 3 is a bottom view thereof;

FIG. 4 is an enlarged front view thereof;

FIG. 5 is an enlarged rear view thereof;

FIG. 6 is a left side view thereof;

FIG. 7 is a right side view thereof;

FIG. 8 is an enlarged partial view showing the top, front, and right side thereof;

FIG. 9 is a perspective view thereof showing the power bar extension in an extended position;

FIG. 10 is a top view thereof showing the power bar extension in an extended position;

FIG. 11 is a bottom view thereof showing the power bar extension in an extended position;

FIG. 12 is a left view thereof showing the power bar extension in an extended position;

FIG. 13 is a right view thereof showing the power bar extension in an extended position;

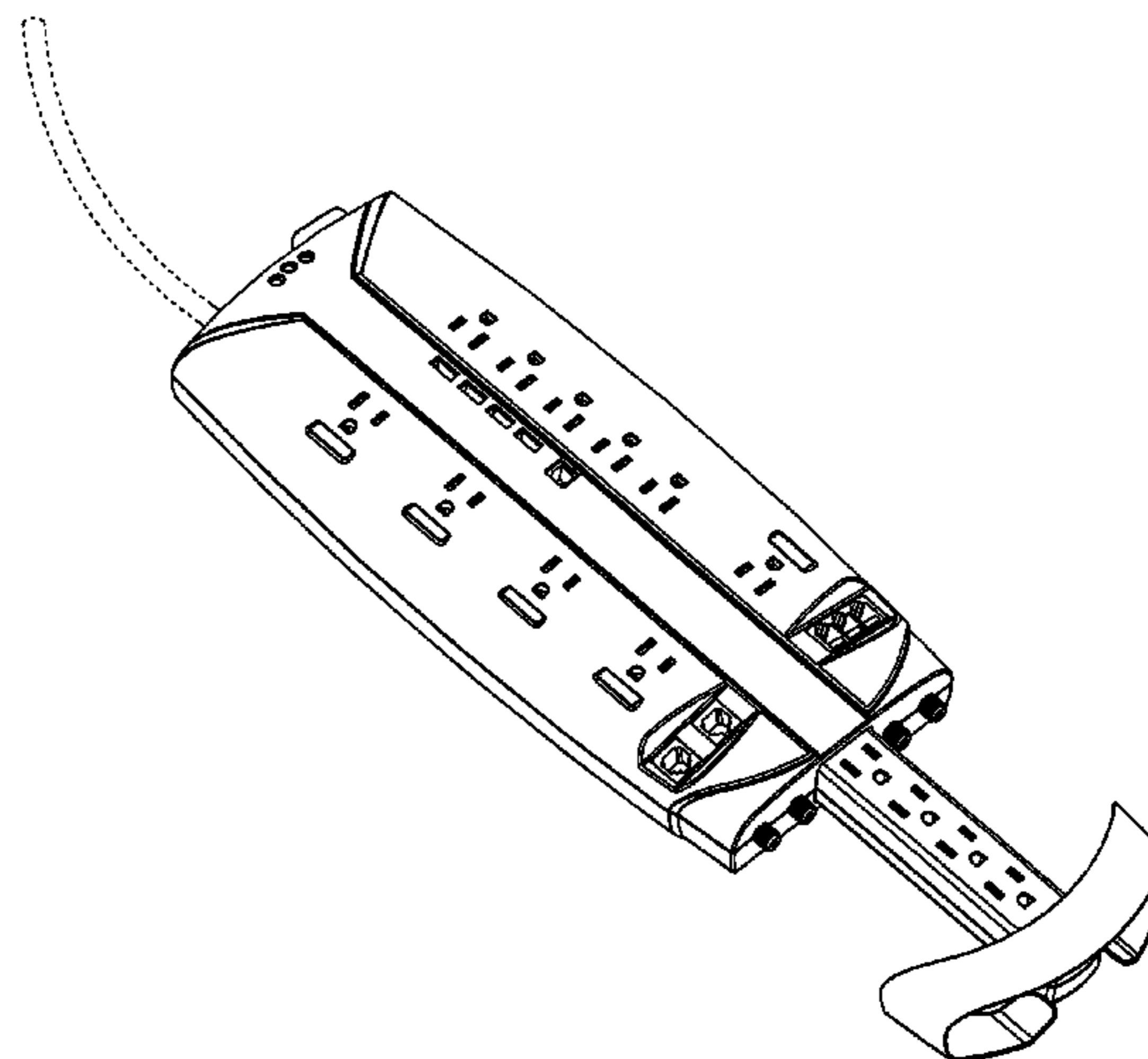
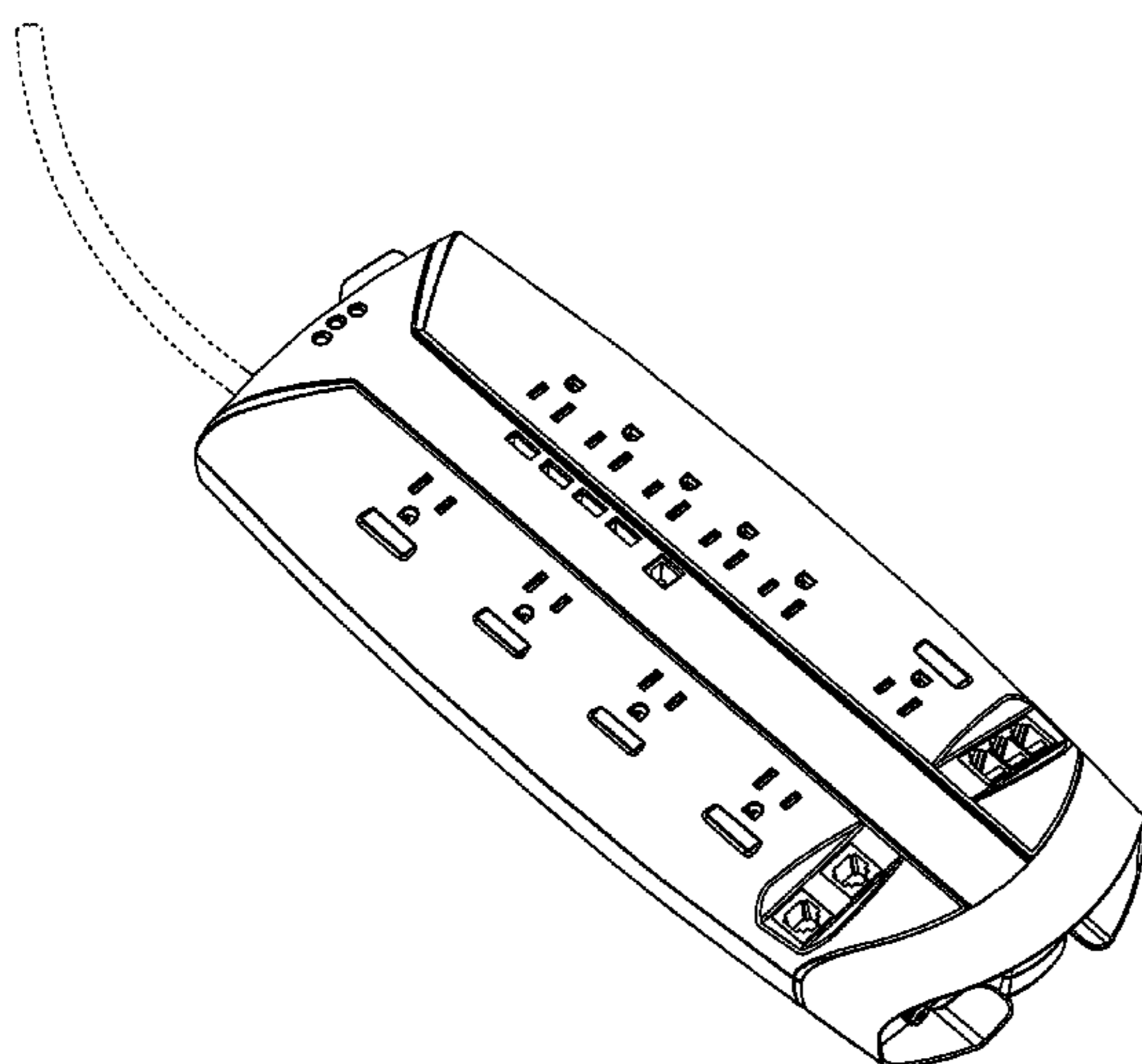
FIG. 14 is an enlarged partial view showing the bottom and right side of the power bar extension;

FIG. 15 is an enlarged partial view showing the top, rear, and right side of the power bar extension; and,

FIG. 16 is an enlarged partial view showing the top and left side of the power bar extension.

The portion of the drawing shown in dashed lines is for illustrative purposes only and forms no part of the claimed design.

**1 Claim, 13 Drawing Sheets**



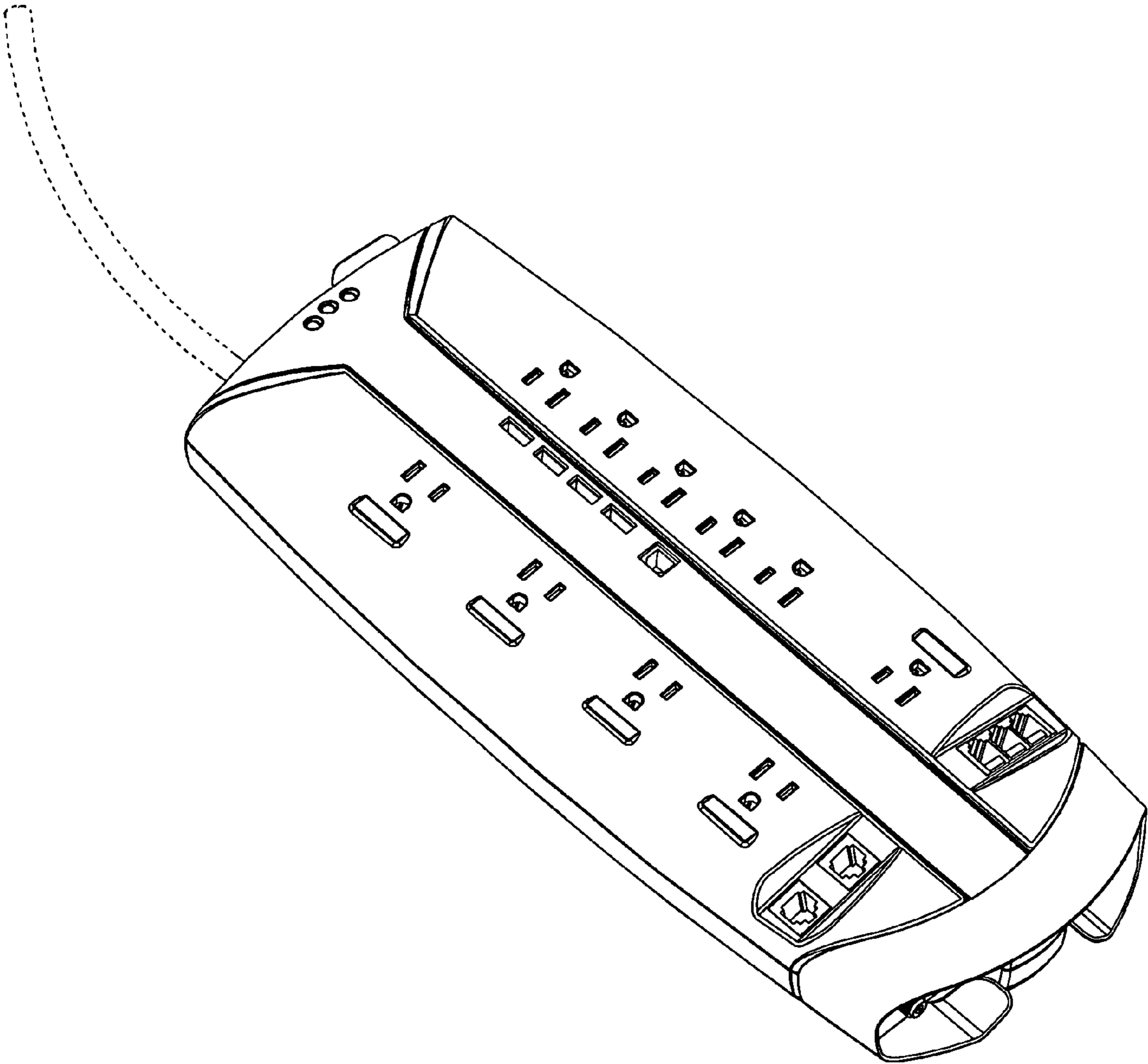


Fig. 1

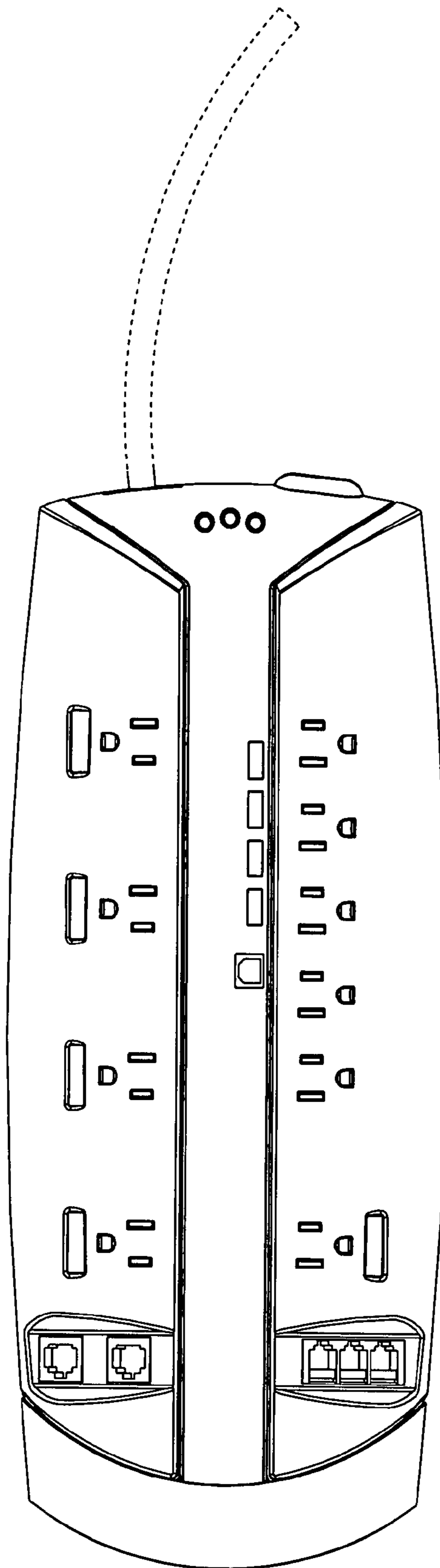


Fig. 2

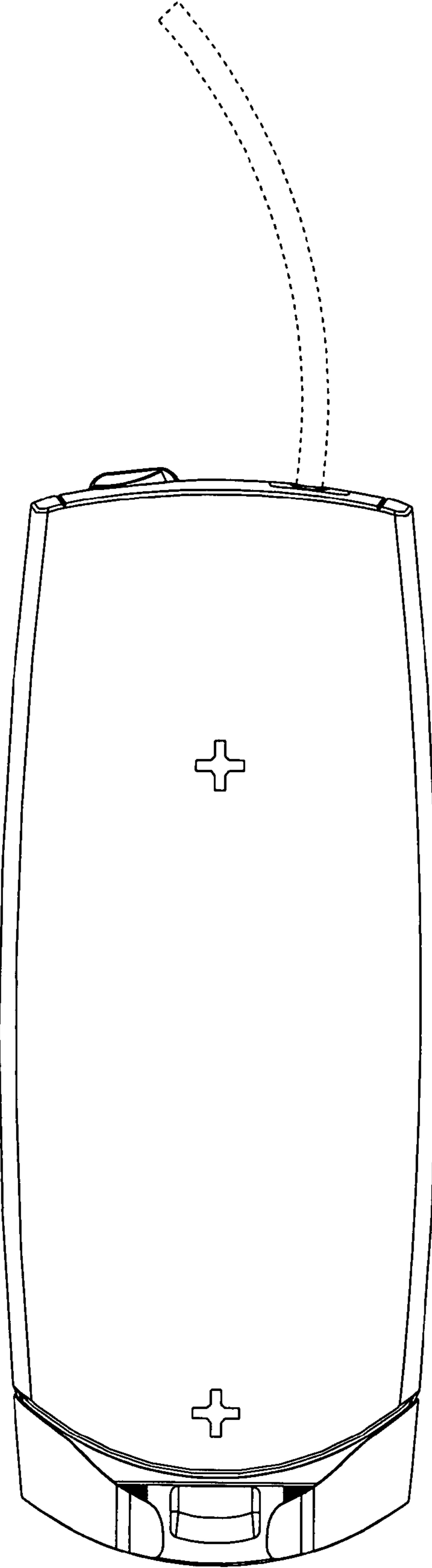


Fig. 3

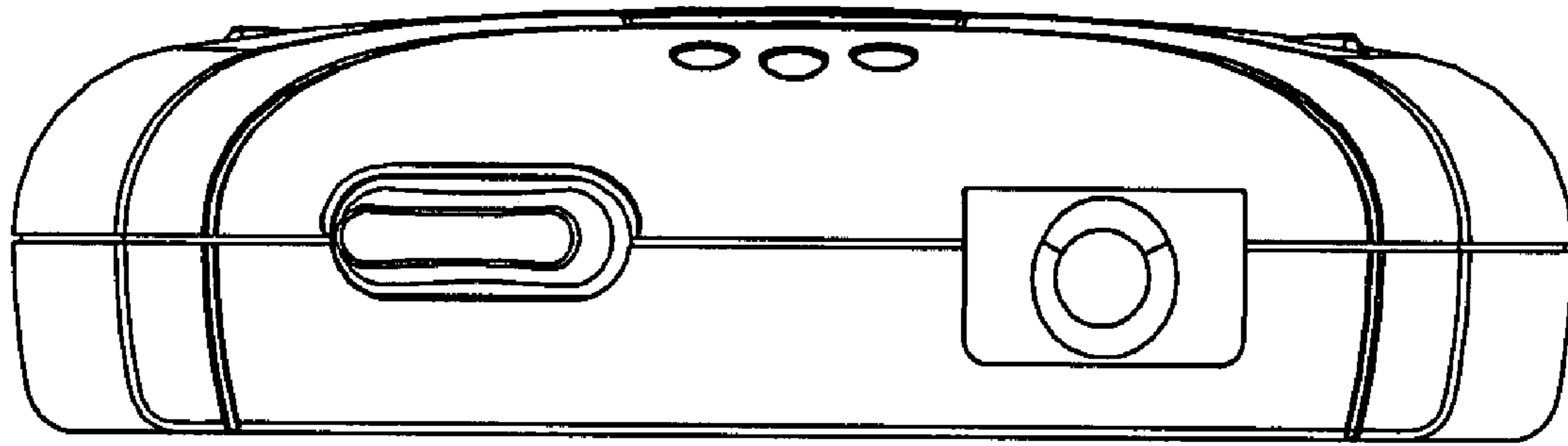


Fig. 4

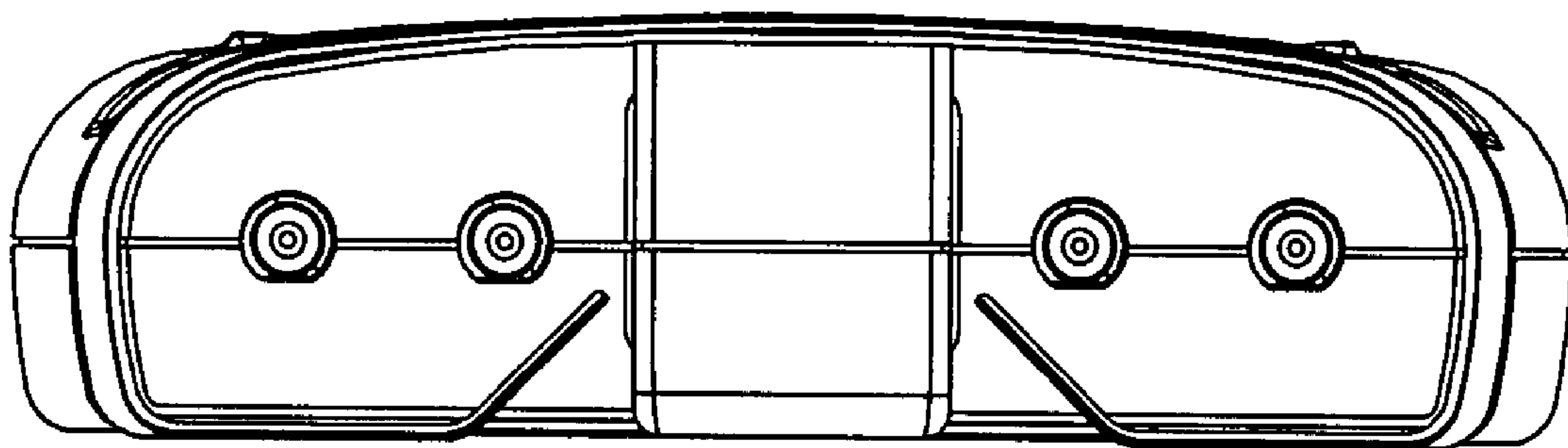


Fig. 5

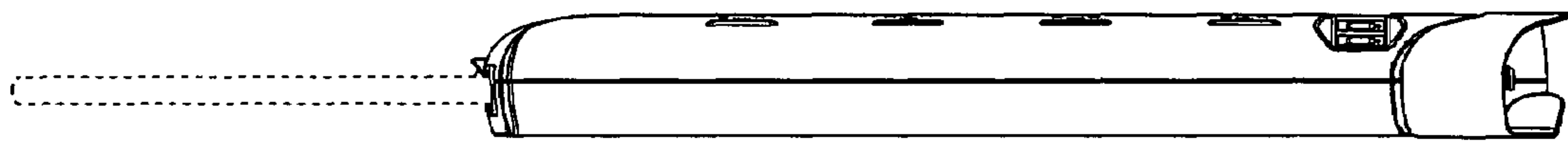


Fig. 6

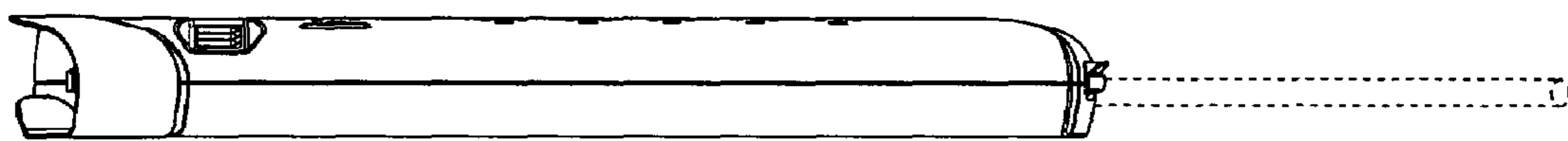


Fig. 7



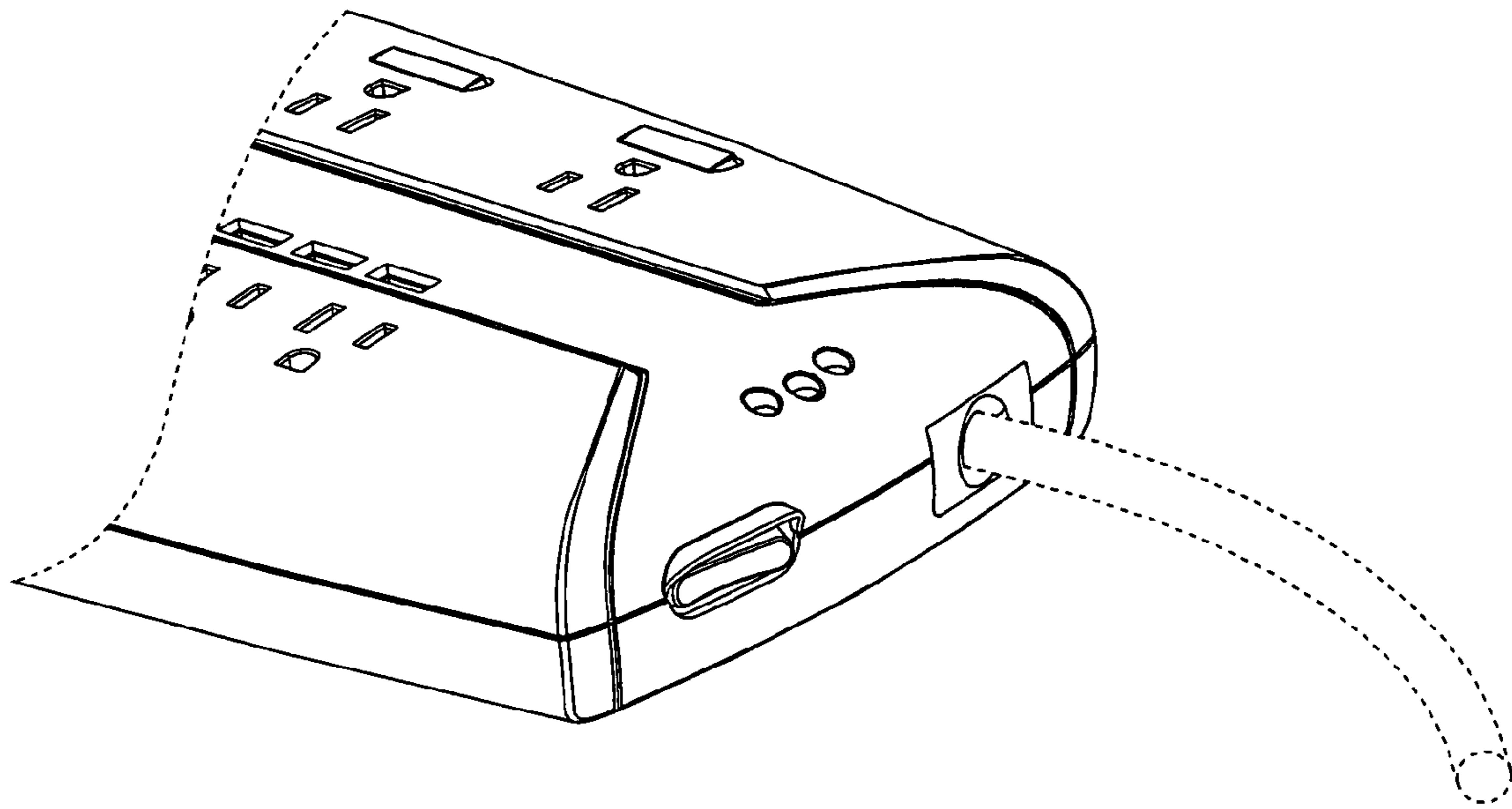


Fig. 8

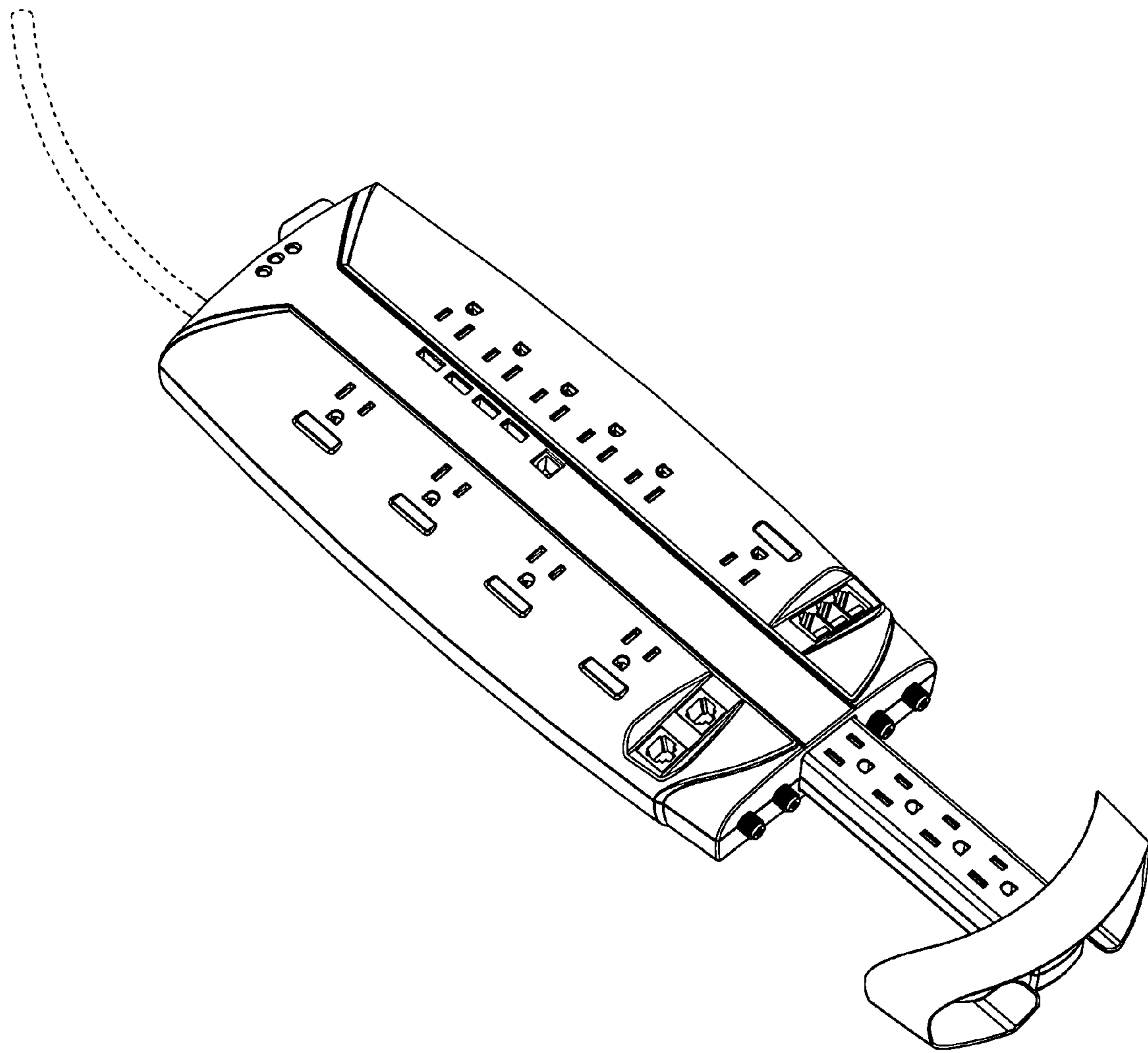


Fig. 9



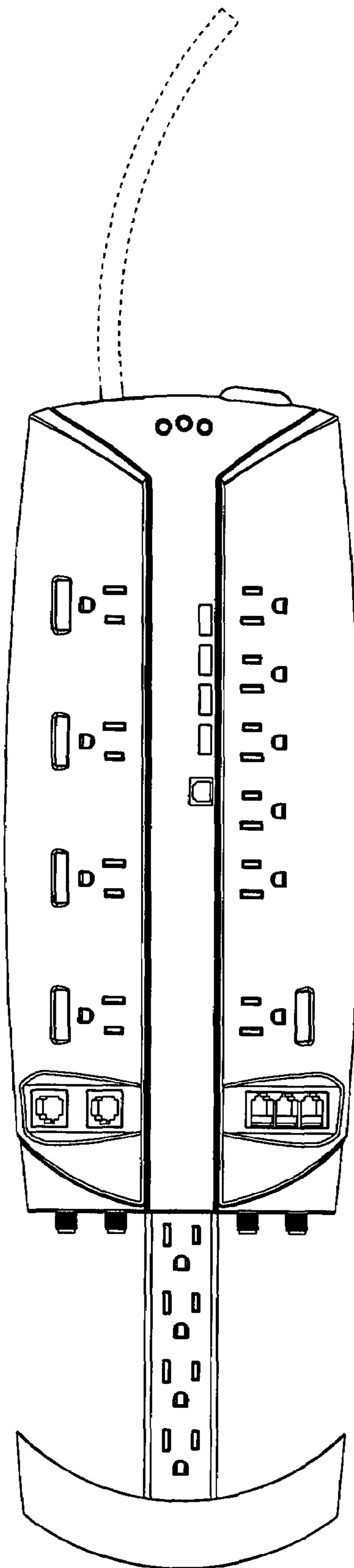


Fig. 10

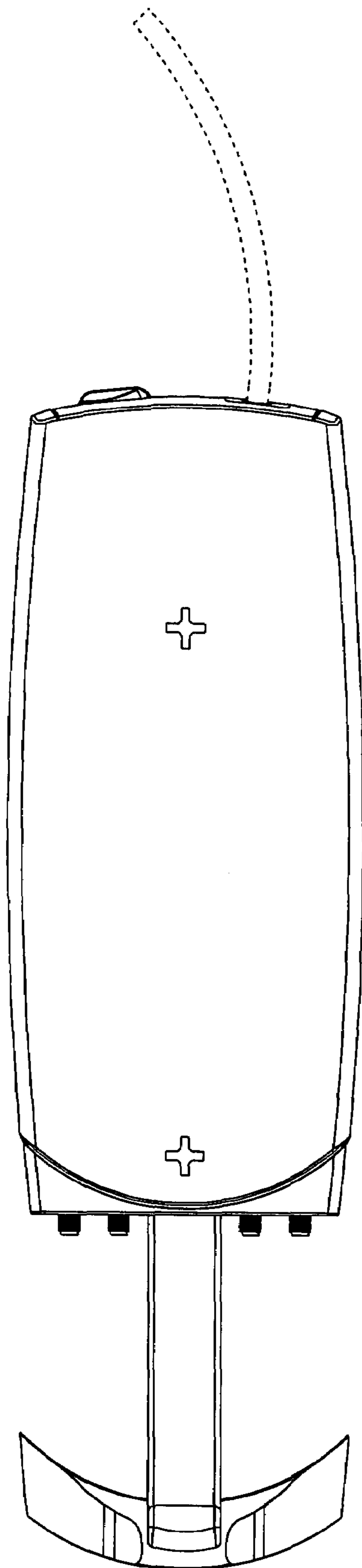


Fig. 11

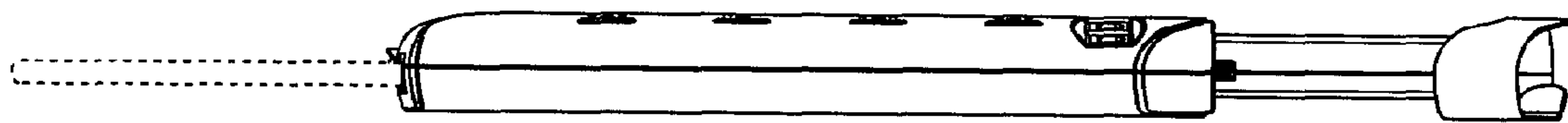


Fig. 12

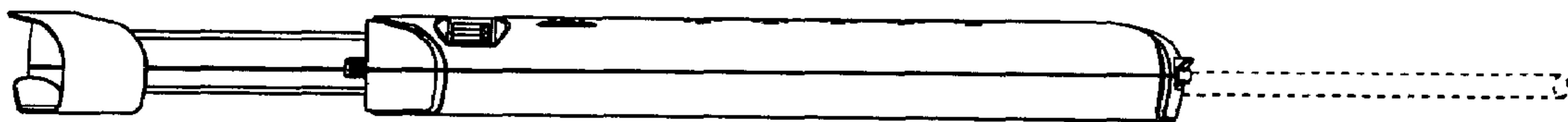


Fig. 13

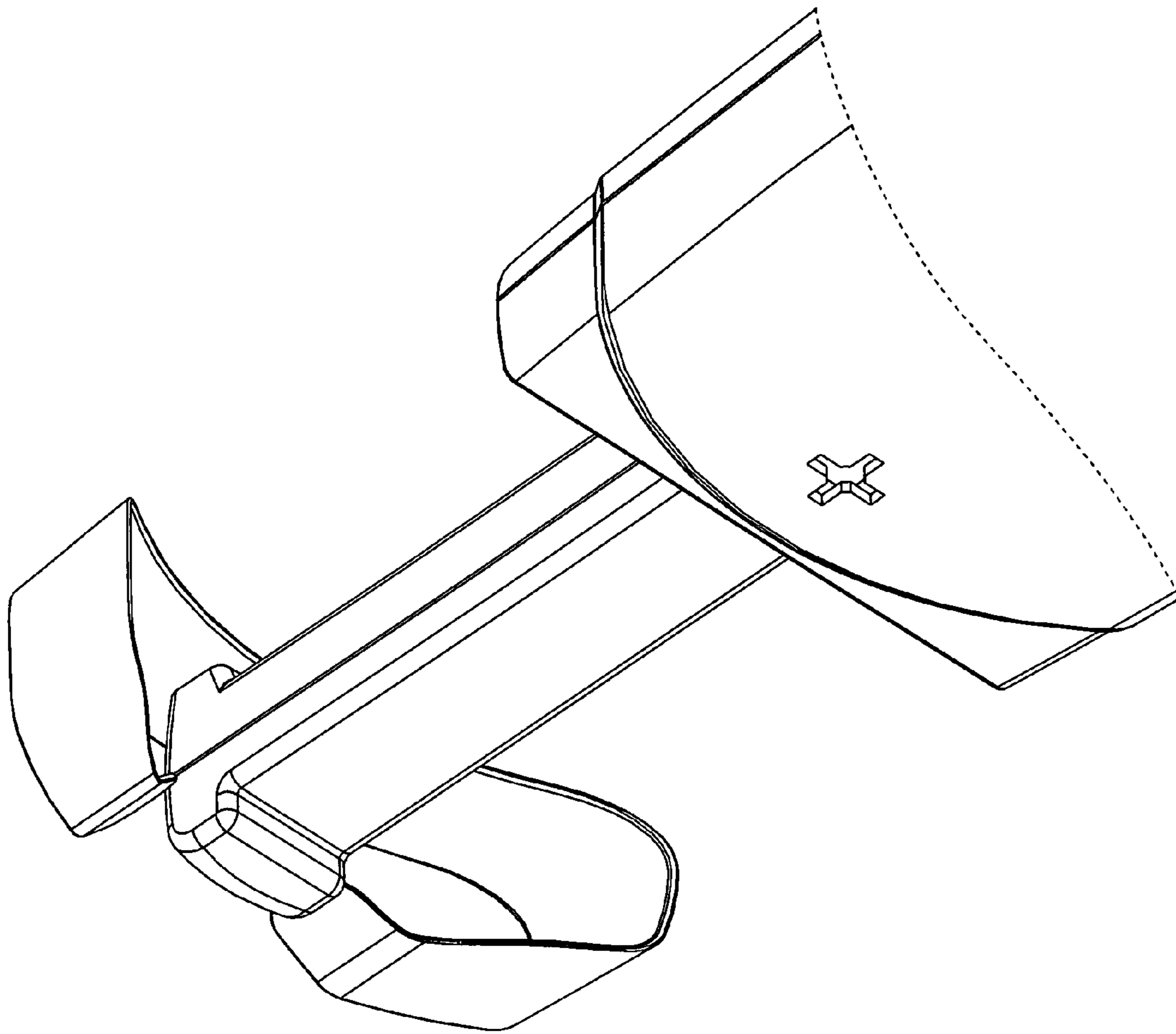


Fig. 14

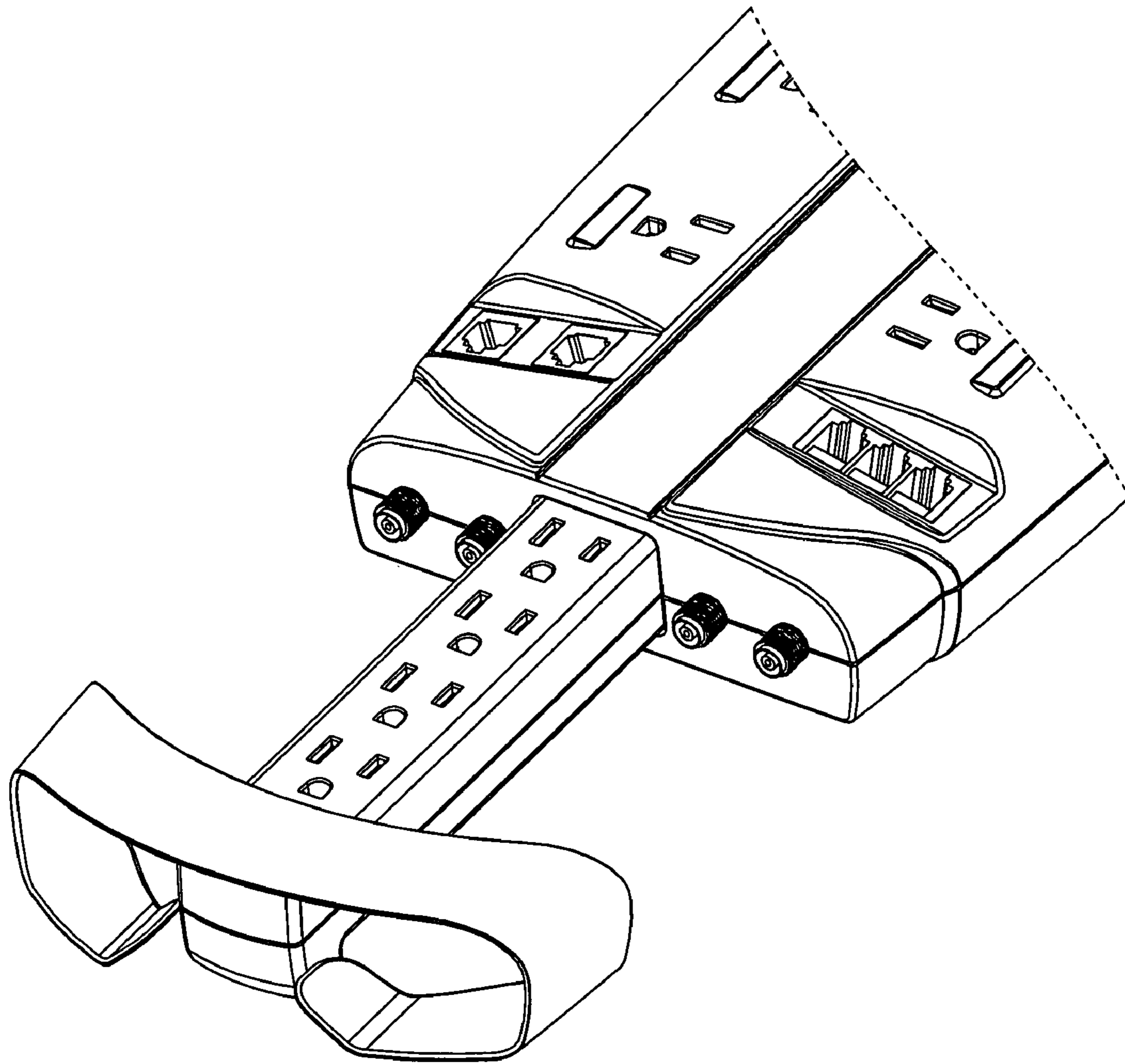


Fig. 15

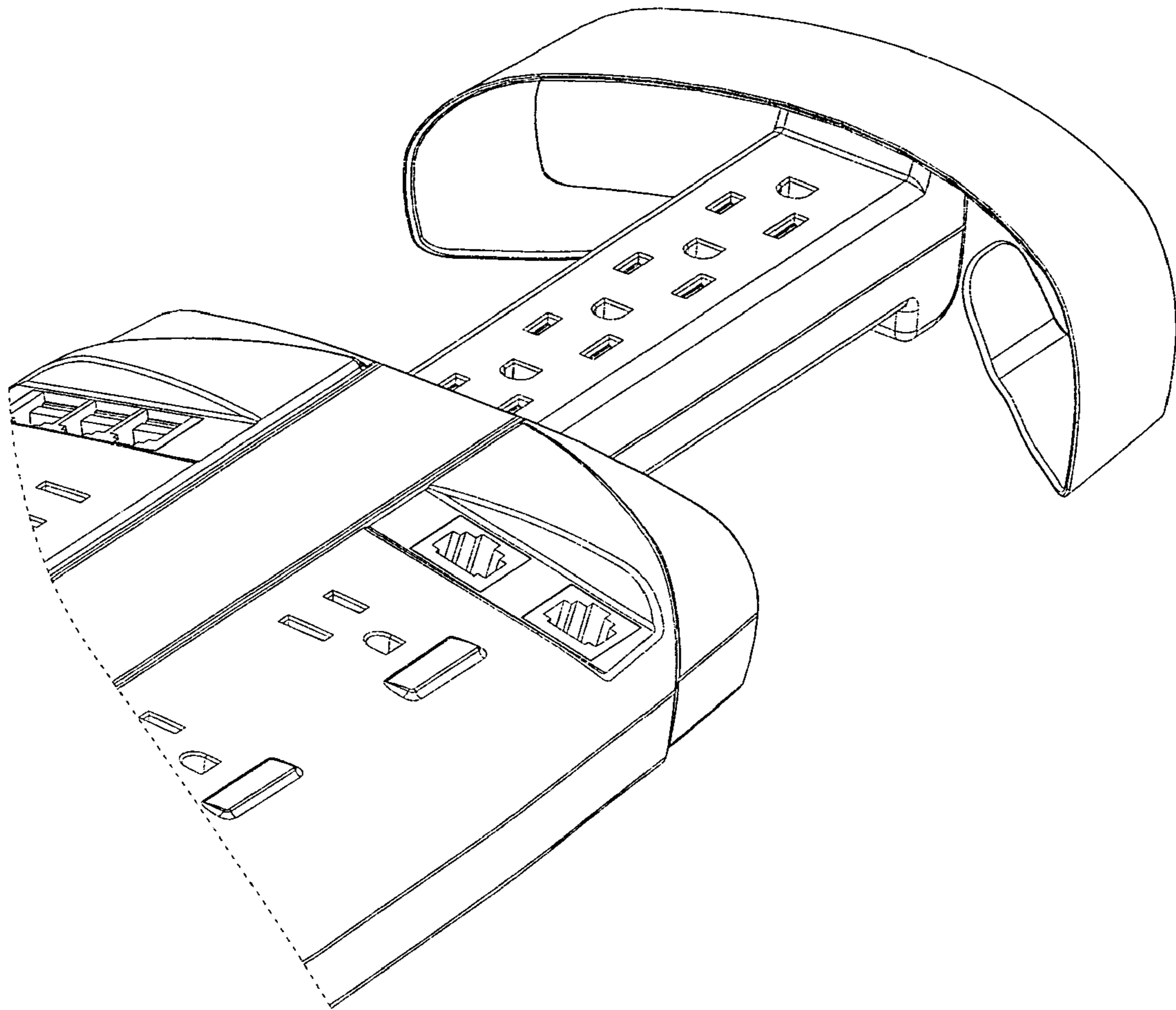


Fig. 16