



US00D554063S

(12) **United States Design Patent**
Takizawa

(10) **Patent No.:** **US D554,063 S**

(45) **Date of Patent:** **** Oct. 30, 2007**

(54) **CONTACT FOR CONNECTOR**

(75) Inventor: **Eiichiro Takizawa**, Tokyo (JP)

(73) Assignee: **Tyco Electronics AMP KK**,
Kanagawa-Ken (JP)

(**) Term: **14 Years**

(21) Appl. No.: **29/233,969**

(22) Filed: **Jul. 12, 2005**

(30) **Foreign Application Priority Data**

Jan. 24, 2005 (JP) 2005-001563

(51) **LOC (8) Cl.** **13-03**

(52) **U.S. Cl.** **D13/133**

(58) **Field of Classification Search** D13/133,
D13/149, 154, 184, 199; 439/732, 844, 851-852,
439/865-867, 872, 877, 884
See application file for complete search history.

(56) **References Cited**

U.S. PATENT DOCUMENTS

- D202,782 S * 11/1965 Kinkaid D13/149
- 3,705,756 A * 12/1972 Keller et al. 385/76
- D227,255 S * 6/1973 Page et al. D13/149
- D263,219 S * 3/1982 Viets D13/149
- 4,995,836 A * 2/1991 Toramoto 439/675
- 5,766,025 A * 6/1998 Davis 439/660
- D454,545 S * 3/2002 Hayashi et al. D13/154

- D457,136 S * 5/2002 Hayashi et al. D13/133
- D475,022 S * 5/2003 Kihira et al. D13/154
- 2005/0287875 A1 * 12/2005 Kojima 439/750

FOREIGN PATENT DOCUMENTS

JP 1209293 4/2004

* cited by examiner

Primary Examiner—Daniel Bui

(74) *Attorney, Agent, or Firm*—Barley Snyder LLC

(57) **CLAIM**

The ornamental design for a contact for connector, as shown and described.

DESCRIPTION

FIG. 1 is a front elevation view of a contact for connector, showing my new design;

FIG. 2 is a top plan view thereof;

FIG. 3 is a bottom plan view thereof;

FIG. 4 is a rear elevation view thereof;

FIG. 5 is a right side elevation view thereof;

FIG. 6 is a left side elevation view thereof;

FIG. 7 is a sectional view thereof, taken along line “7—7” in FIG. 1; and,

FIG. 8 is a top and rear perspective view thereof.

1 Claim, 8 Drawing Sheets

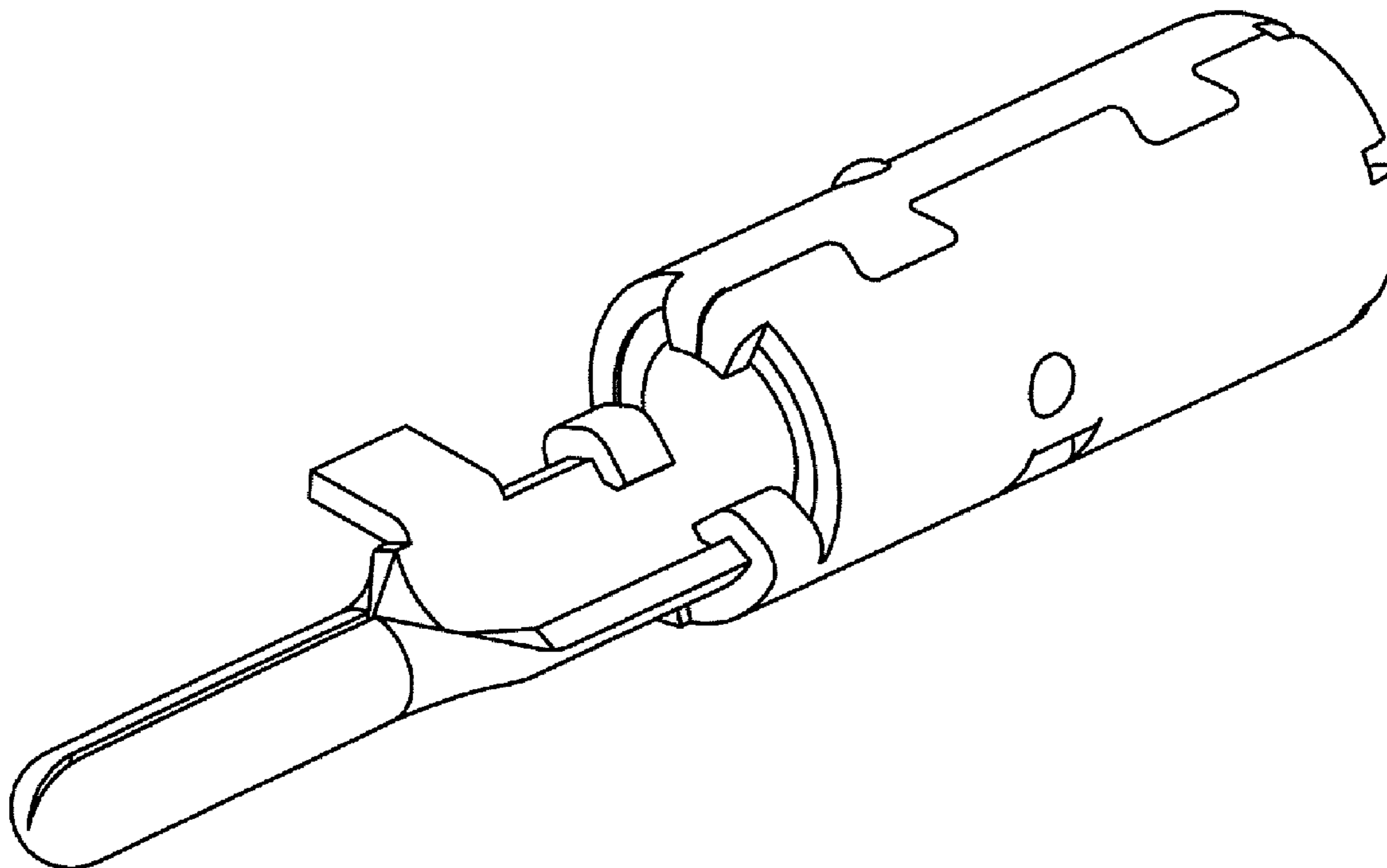


Fig. 1

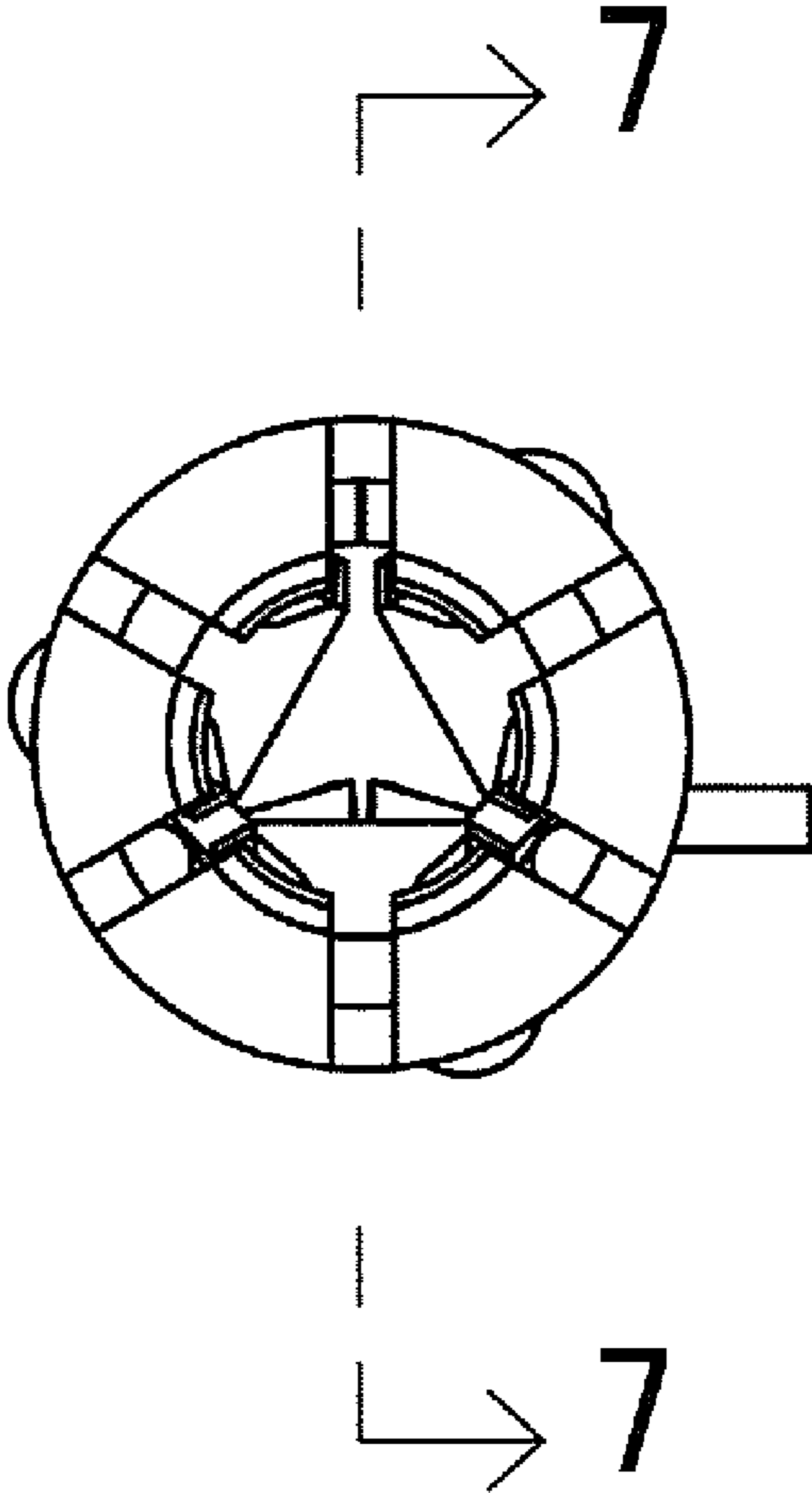


Fig. 2

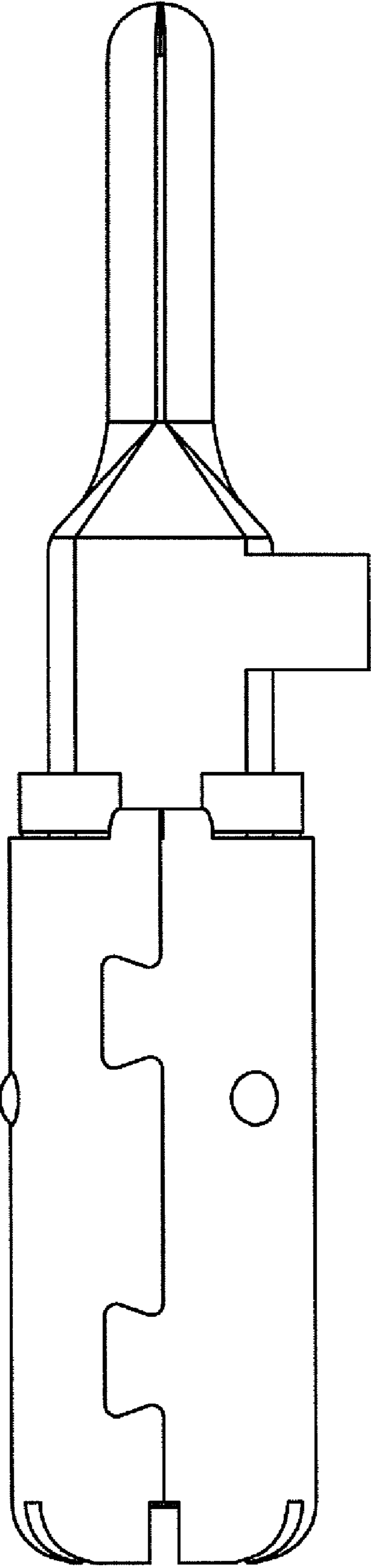


Fig. 3

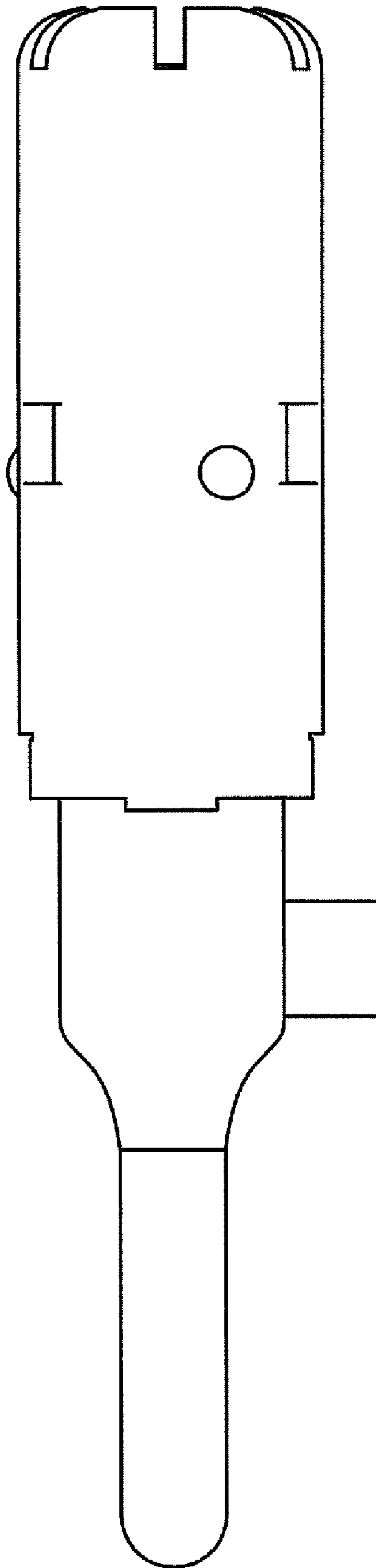


Fig. 4

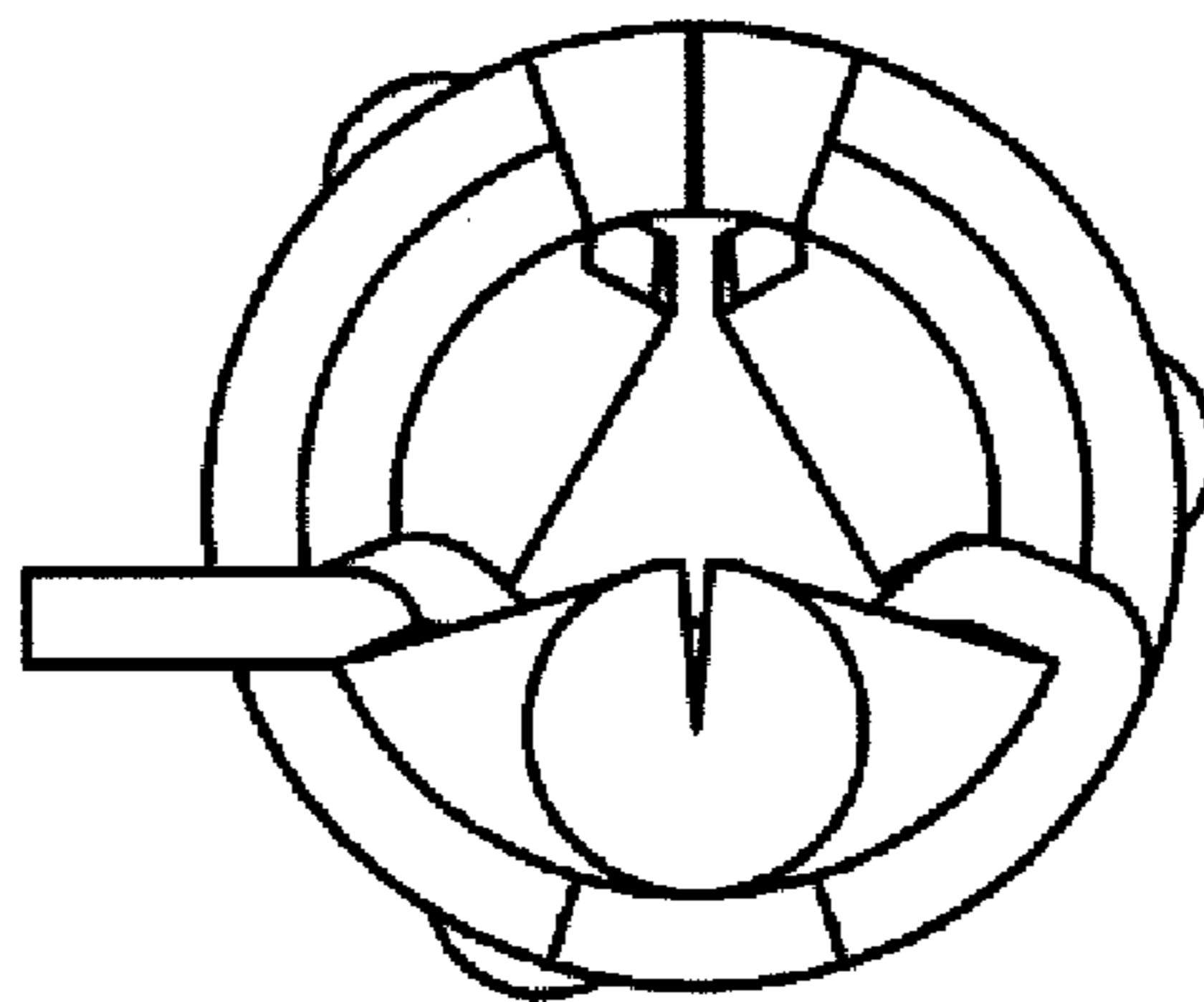


Fig. 5

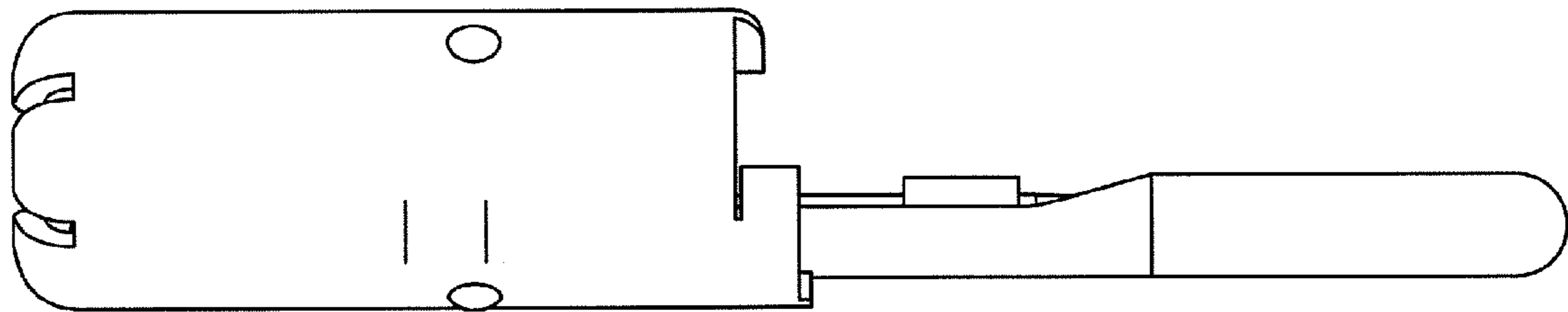


Fig. 6

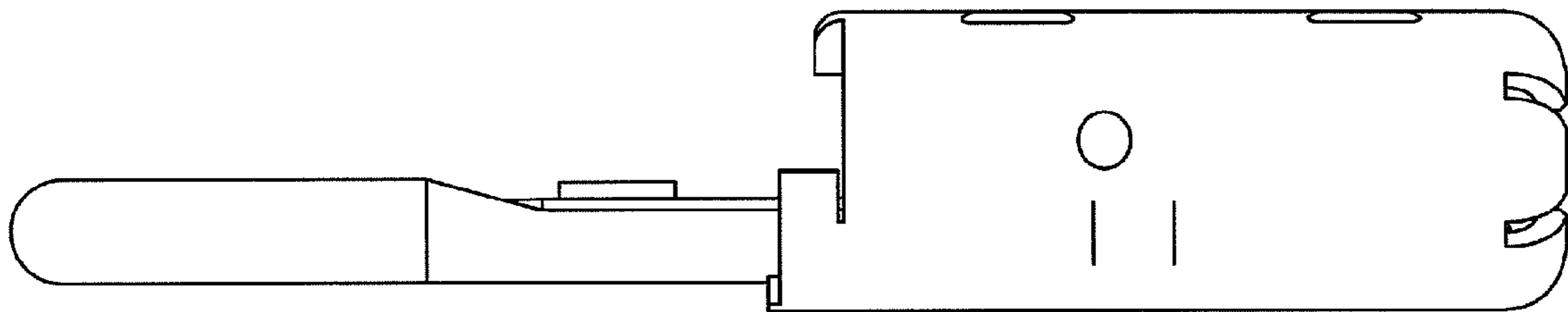


Fig. 7

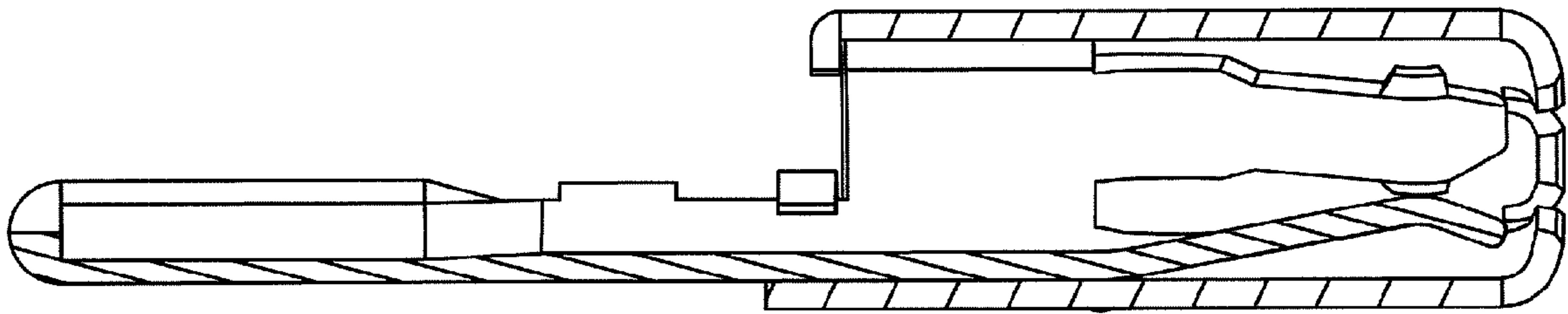


Fig. 8

