



US00D554062S

(12) **United States Design Patent**
Ohmi

(10) **Patent No.:** **US D554,062 S**

(45) **Date of Patent:** **** Oct. 30, 2007**

(54) **DC TO AC POWER INVERTER FOR A
VEHICLE ELECTRICAL SYSTEM**

D427,147 S * 6/2000 Wei D13/110
D427,148 S * 6/2000 Wei D13/110

(75) Inventor: **Hideaki Ohmi**, Kariya (JP)

* cited by examiner

(73) Assignee: **Kabushiki Kaisha Toyota Jidoshokki**,
Kariya-shi (JP)

Primary Examiner—Prabhakar Deshmukh

Assistant Examiner—Derrick Holland

(74) *Attorney, Agent, or Firm*—Morgan & Finnegan, L.L.P.

(**) Term: **14 Years**

(57) **CLAIM**

(21) Appl. No.: **29/241,378**

The ornamental design for a DC to AC power inverter for a vehicle electrical system, as shown and described.

(22) Filed: **Oct. 25, 2005**

(30) **Foreign Application Priority Data**

DESCRIPTION

Apr. 26, 2005 (JP) 2005-012454

FIG. 1 is a front perspective view of a DC to AC power inverter for a vehicle electrical system showing my new design;

(51) **LOC (8) Cl.** **13-02**

FIG. 2 is a rear perspective view thereof;

(52) **U.S. Cl.** **D13/118; D13/110**

FIG. 3 is a front view thereof;

(58) **Field of Classification Search** D13/110,
D13/123, 184, 199; 337/186; 361/600,
361/601, 730; 363/141, 142

FIG. 4 is a rear view thereof;

See application file for complete search history.

FIG. 5 is a top plan view thereof;

FIG. 6 is a bottom plan view thereof;

(56) **References Cited**

FIG. 7 is a right side elevational view; and,

U.S. PATENT DOCUMENTS

FIG. 8 is a left side elevational view thereof.

4,872,102 A * 10/1989 Getter 363/141
5,170,336 A * 12/1992 Getter et al. 363/141
D349,682 S * 8/1994 Hunziker D13/110
D413,567 S * 9/1999 Person et al. D13/110
5,949,640 A * 9/1999 Cameron et al. 361/600
D426,810 S * 6/2000 Wei D13/110
D427,146 S * 6/2000 Wei D13/110

The broken lines are shown for illustrative purposes only and form no part of the claimed design.

The broken line(s) which define the bounds of the claimed design form no part thereof.

1 Claim, 4 Drawing Sheets

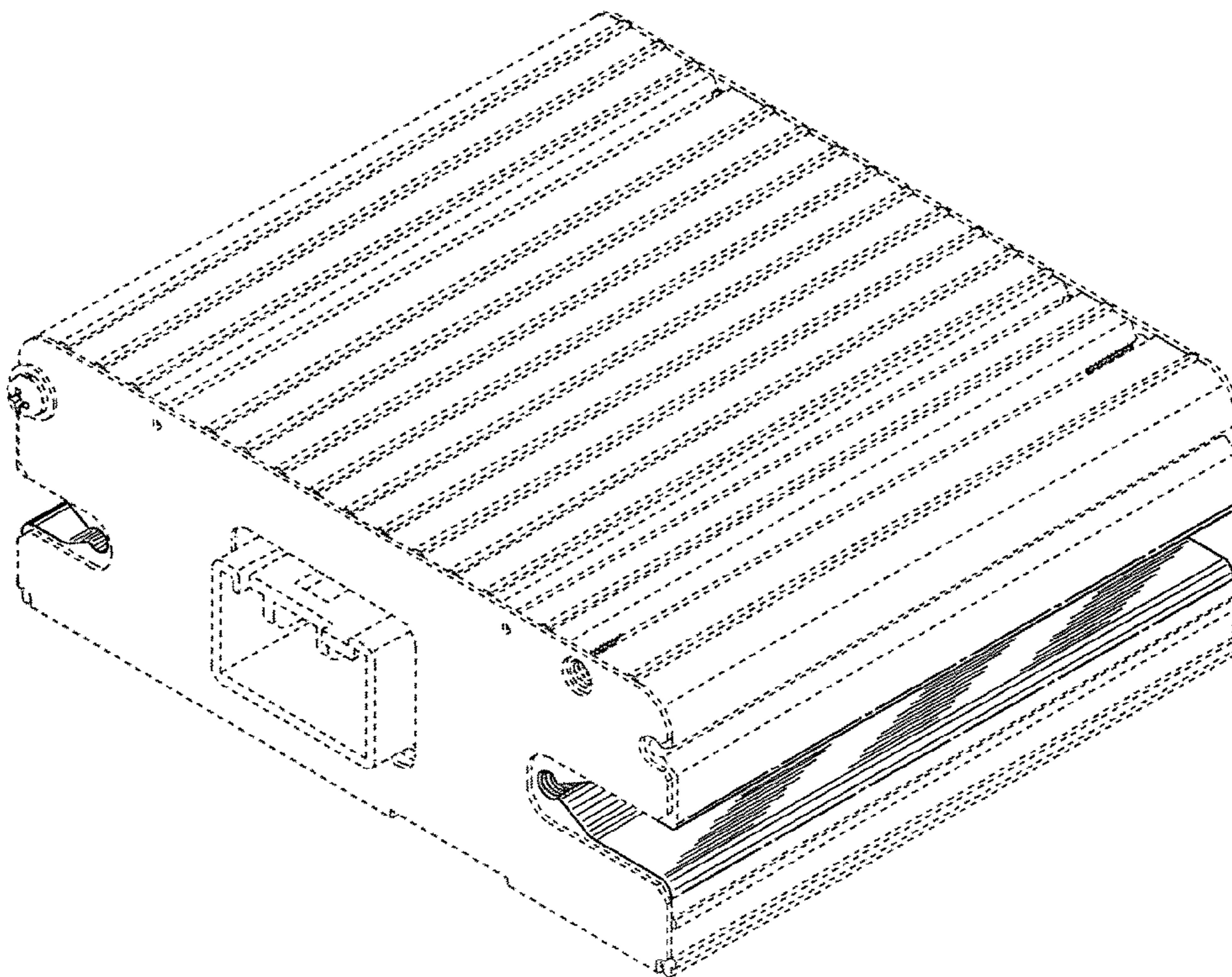


FIG. 1

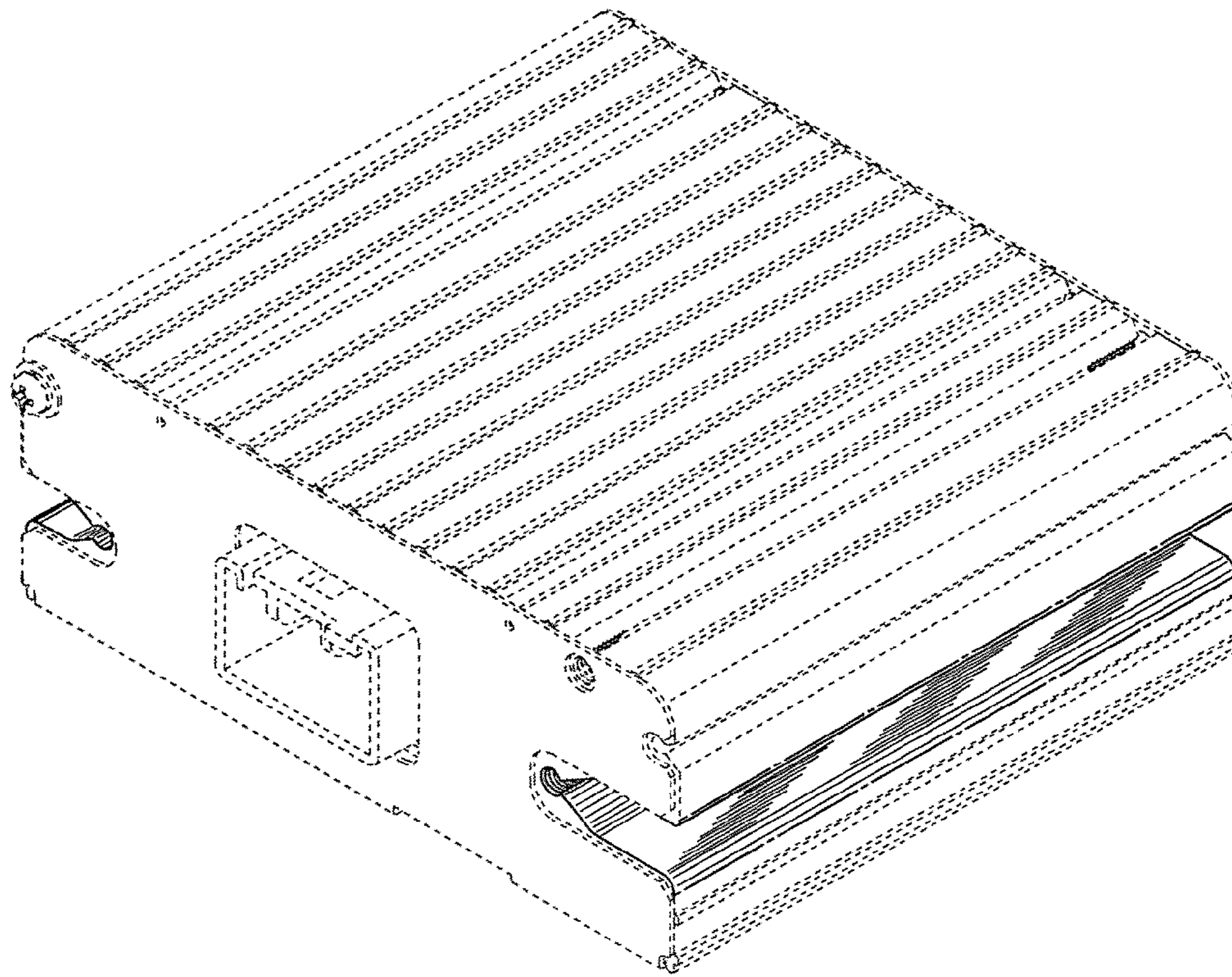


FIG. 2

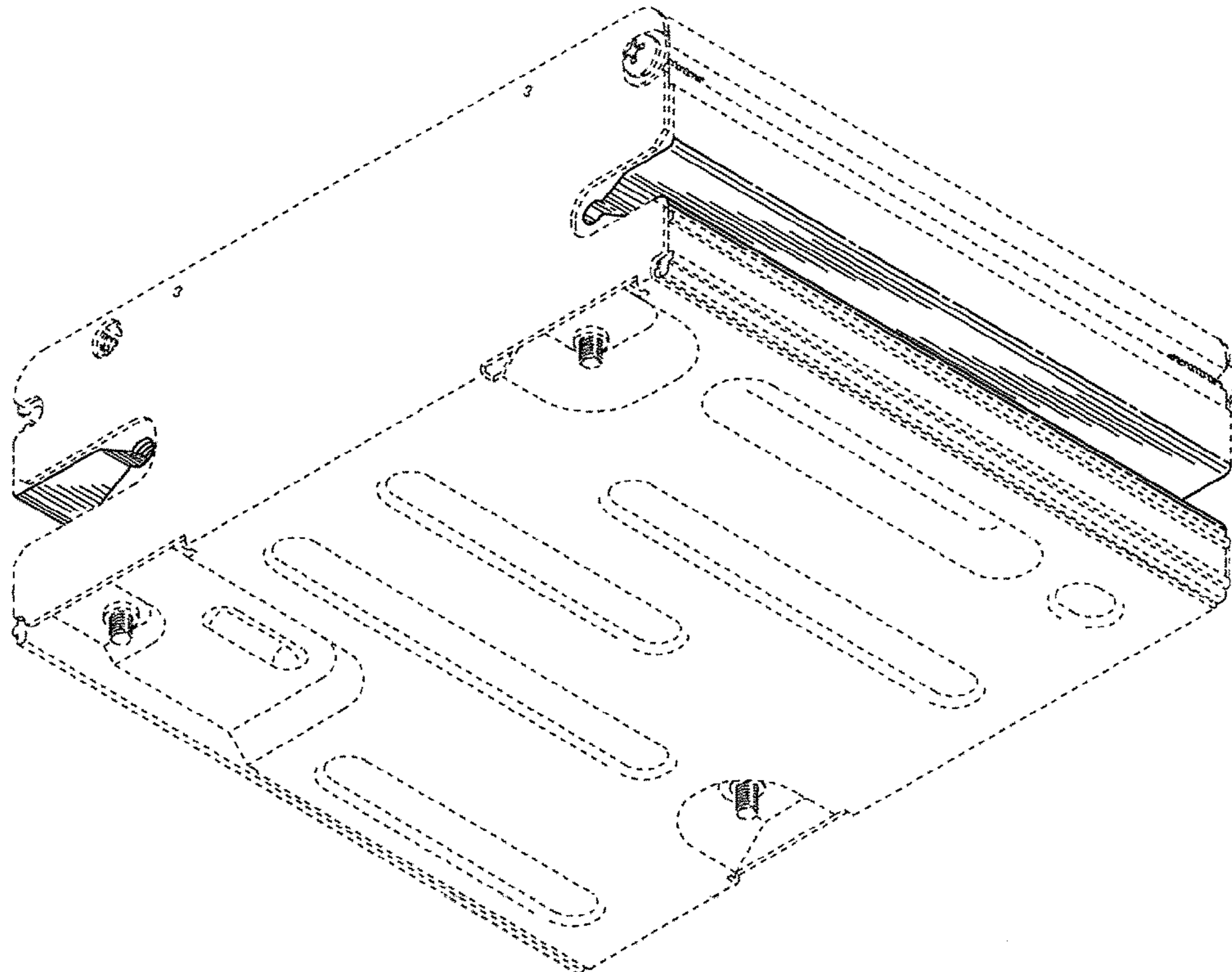


FIG. 3

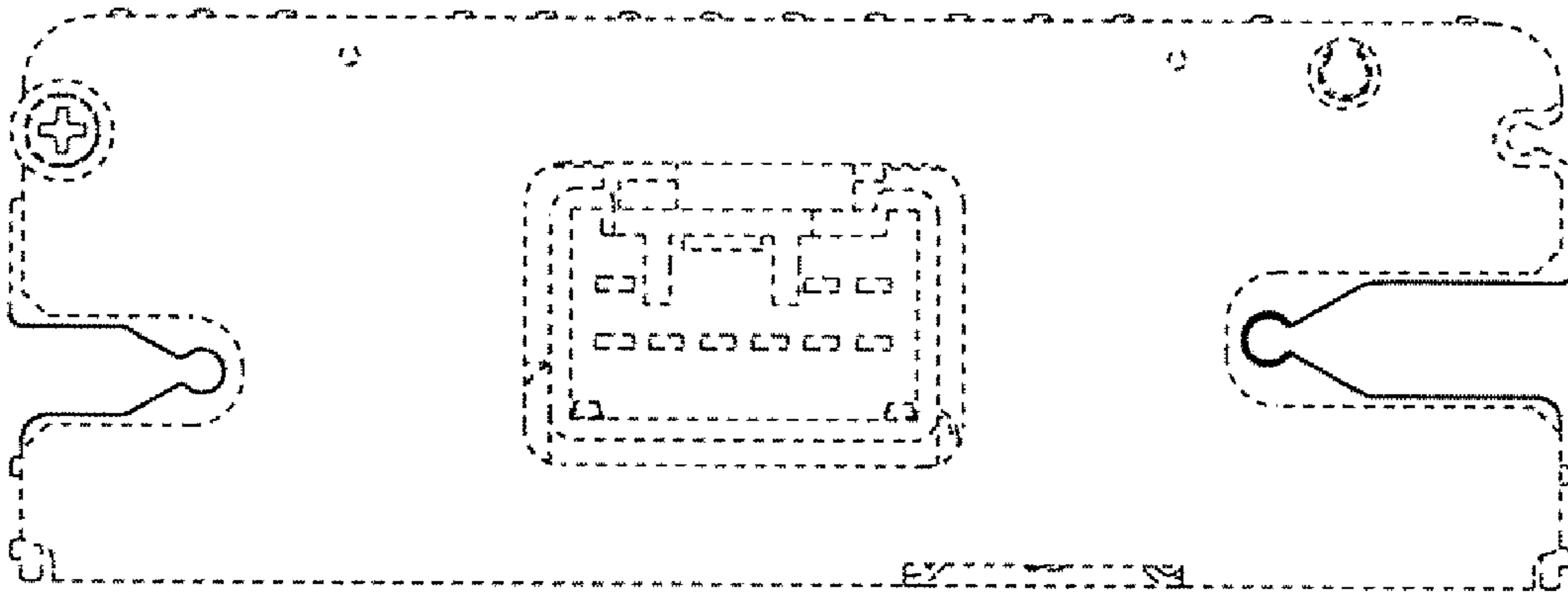


FIG. 4

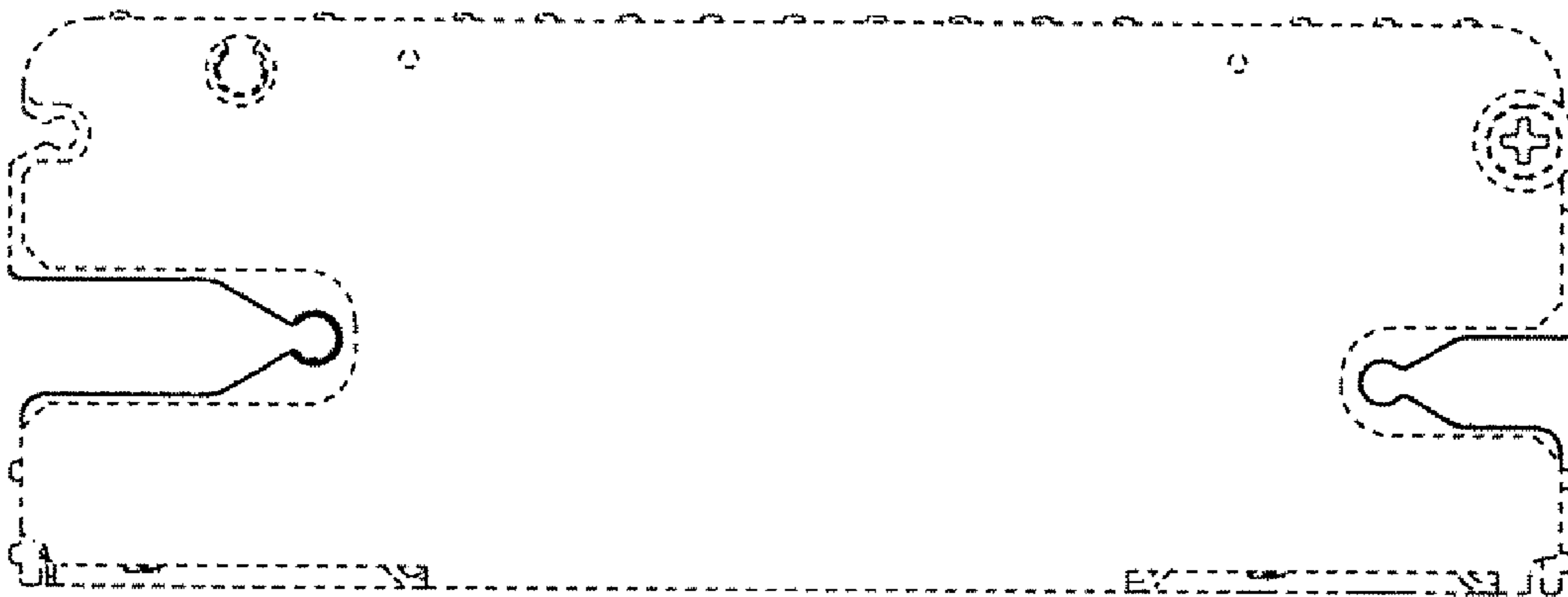


FIG. 5

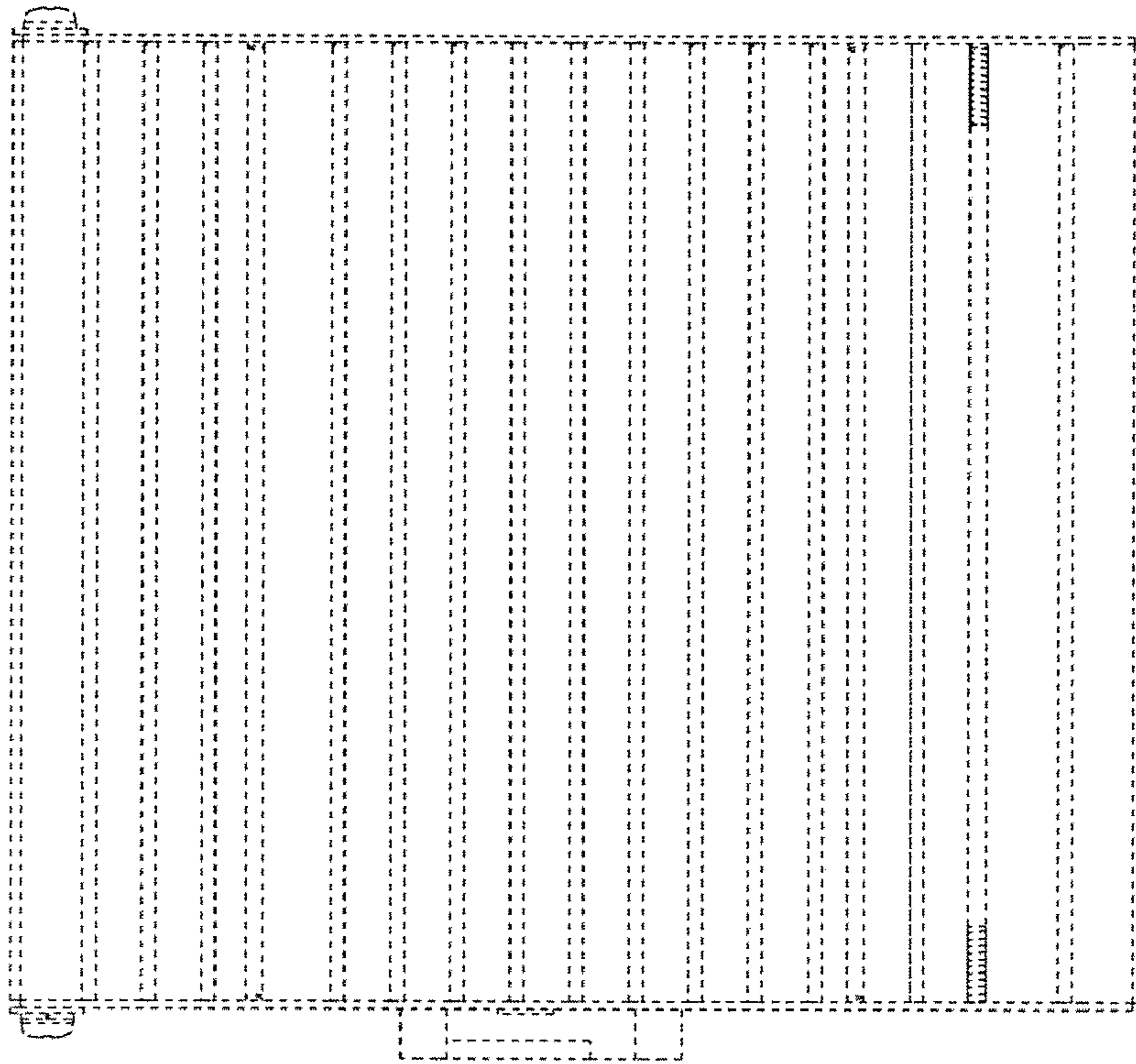


FIG. 6

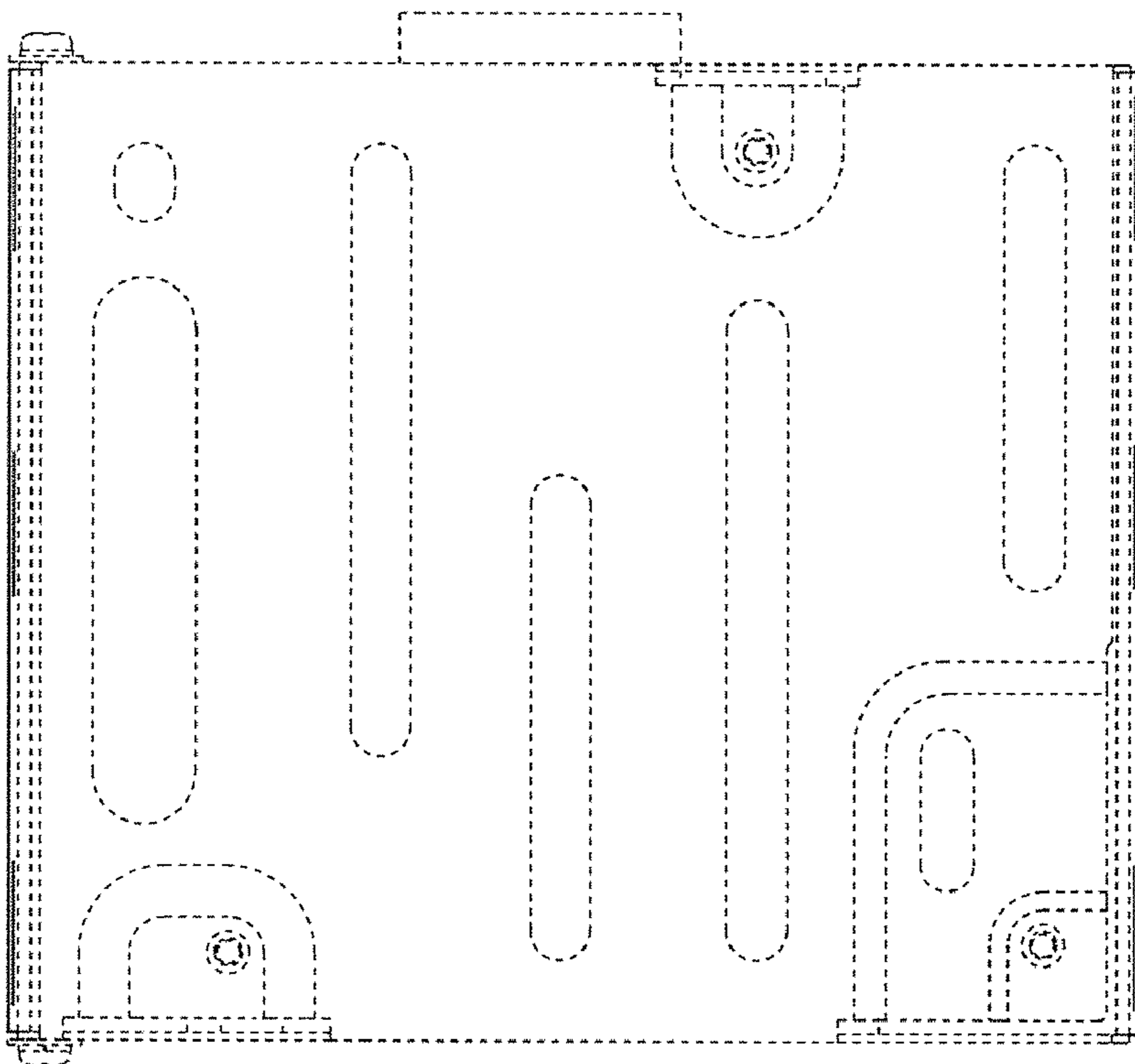


FIG. 7

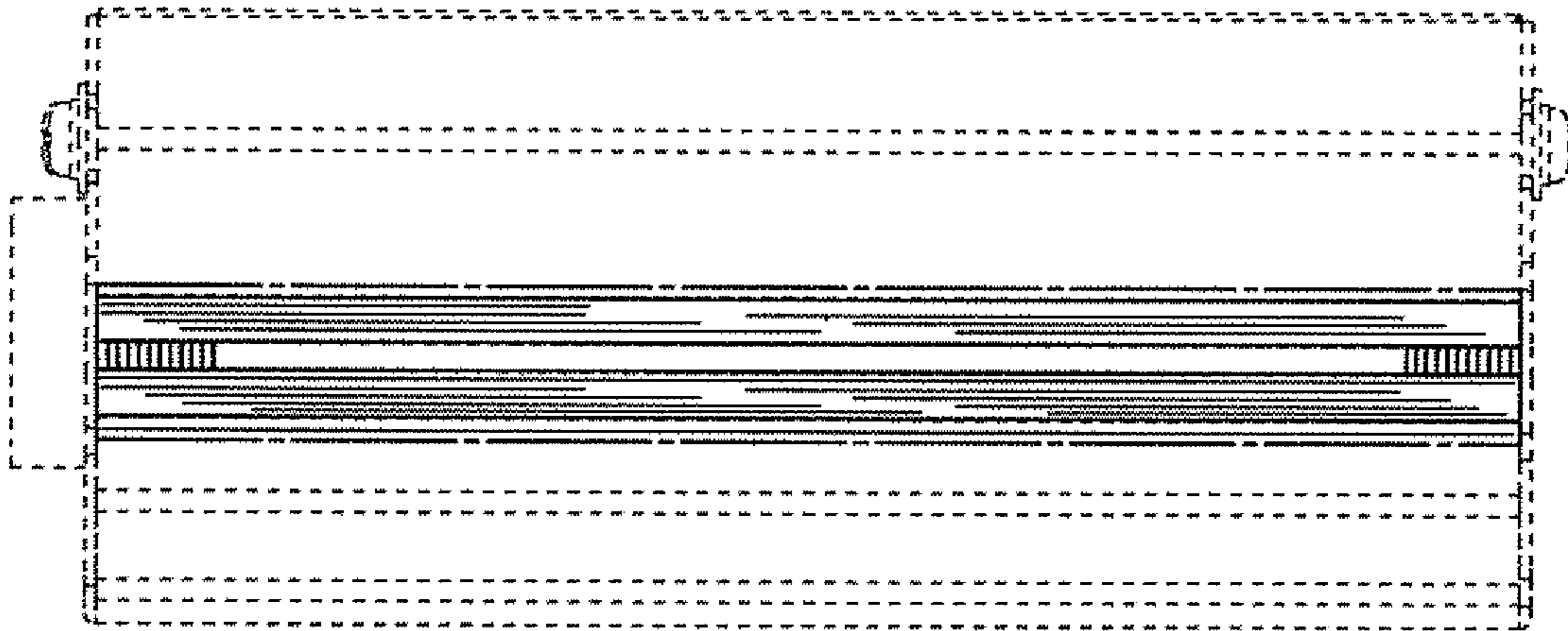


FIG. 8

