



US00D554058S

(12) **United States Design Patent**
Yang et al.

(10) **Patent No.:** **US D554,058 S**

(45) **Date of Patent:** **** Oct. 30, 2007**

(54) **POWER ADAPTOR**

(76) Inventors: **Hsien-Lin Yang**, 6F, No. 3, Lane 68, San Min Rd., Sung Shan District, Taipei (TW); **Ming-Yi Tsai**, 6F, No. 3, Lane 68, San Min Rd., Sung Shan District, Taipei (TW)

(**) Term: **14 Years**

(21) Appl. No.: **29/246,877**

(22) Filed: **May 18, 2006**

(51) **LOC (8) Cl.** **13-02**

(52) **U.S. Cl.** **D13/110**

(58) **Field of Classification Search** D13/110, D13/107, 139.7, 153, 199; D14/496; 307/150, 307/151; 439/171-173, 218, 518, 623, 956
See application file for complete search history.

(56) **References Cited**

U.S. PATENT DOCUMENTS

- 5,490,213 A * 2/1996 Huang 379/442
- 5,547,399 A * 8/1996 Naghi et al. 439/623
- D406,259 S * 3/1999 Lindahl D13/110
- D407,687 S * 4/1999 Tashiro D13/110

- D456,008 S * 4/2002 Kawanobe et al. D13/110
- D466,130 S * 11/2002 Hussaini et al. D14/496
- 6,733,328 B2 * 5/2004 Lin et al. 439/501

* cited by examiner

Primary Examiner—Prabhakar Deshmukh

Assistant Examiner—Derrick Holland

(74) *Attorney, Agent, or Firm*—Leong C. Lei

(57) **CLAIM**

The ornamental design for a power adaptor, as shown and described.

DESCRIPTION

FIG. 1 is a perspective view of a power adaptor showing my new design;

FIG. 2 is a top plan view thereof;

FIG. 3 is a bottom plan view thereof;

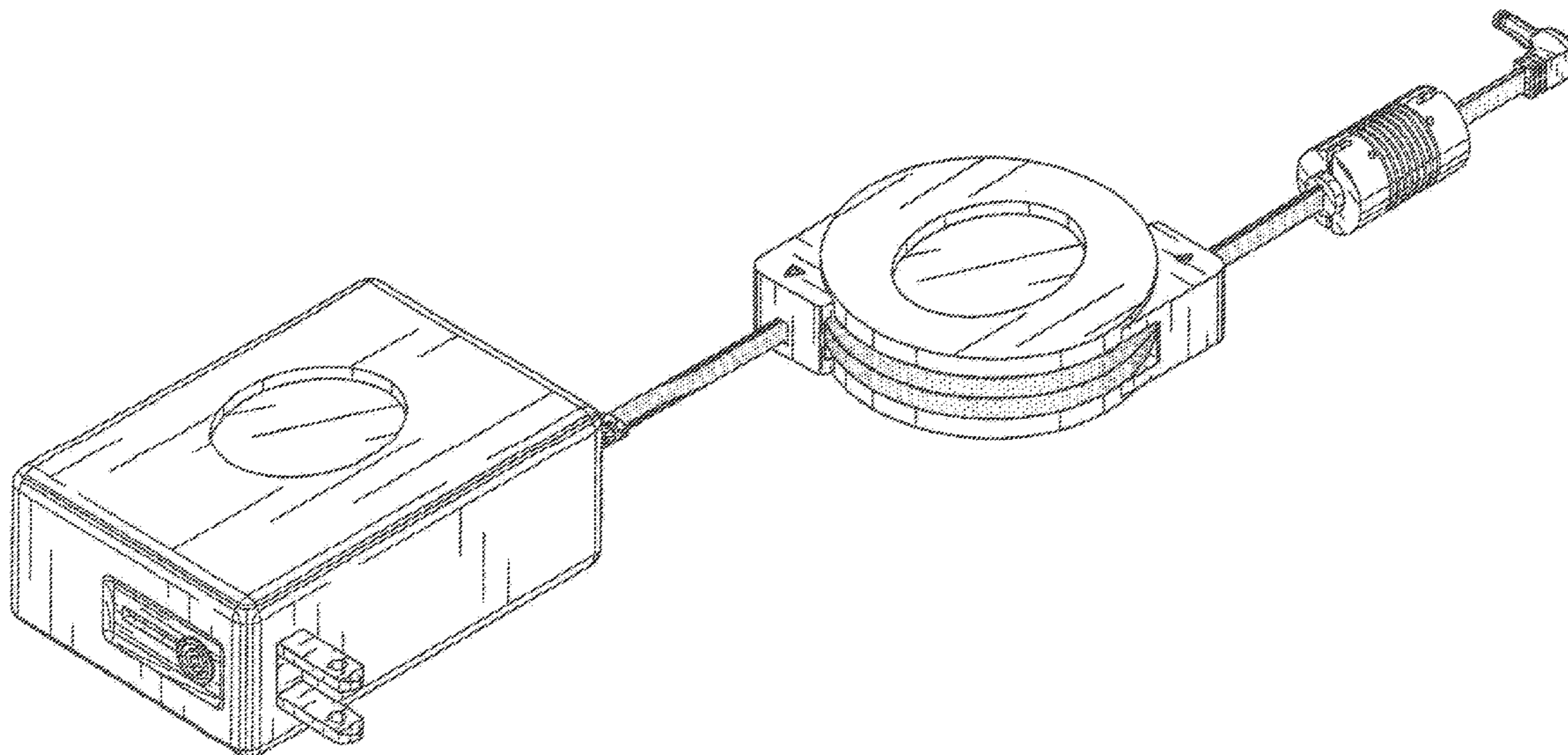
FIG. 4 is a front elevational view thereof;

FIG. 5 is a rear elevational view thereof

FIG. 6 is a left side elevational view thereof; and,

FIG. 7 is right side elevational view thereof.

1 Claim, 4 Drawing Sheets



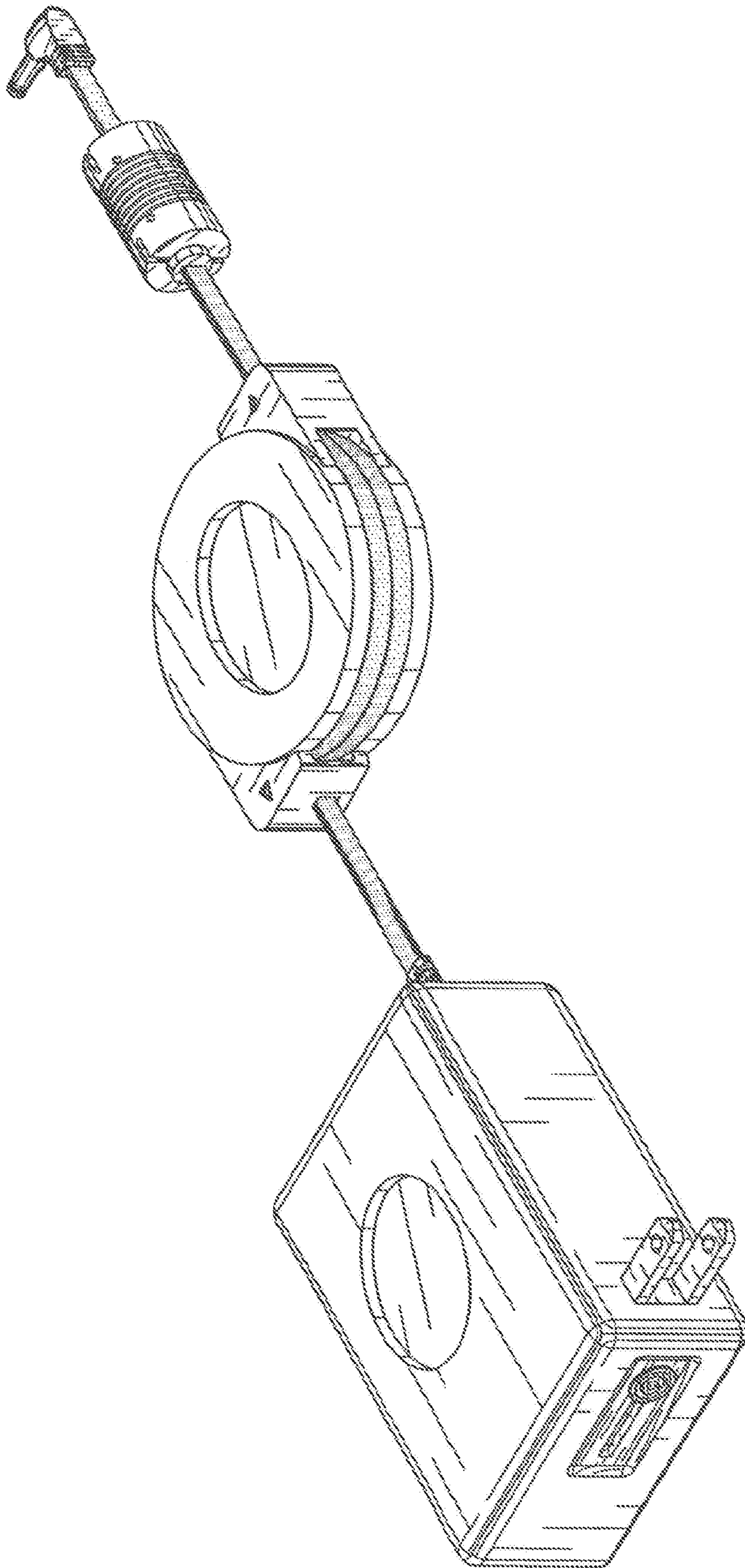


FIG. 1

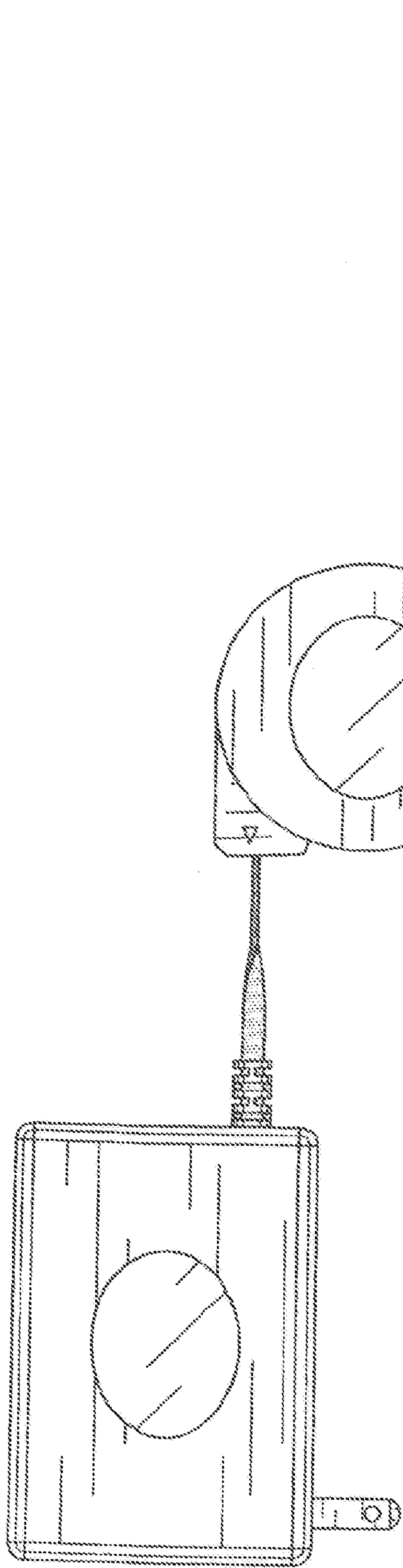


FIG. 2

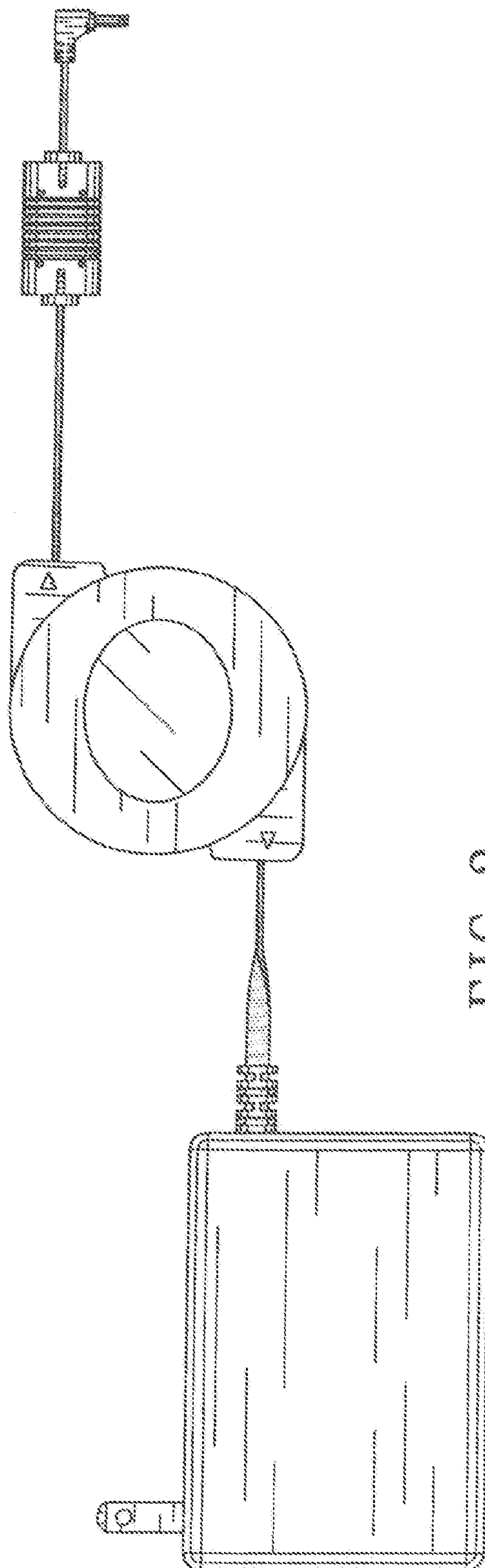


FIG. 3

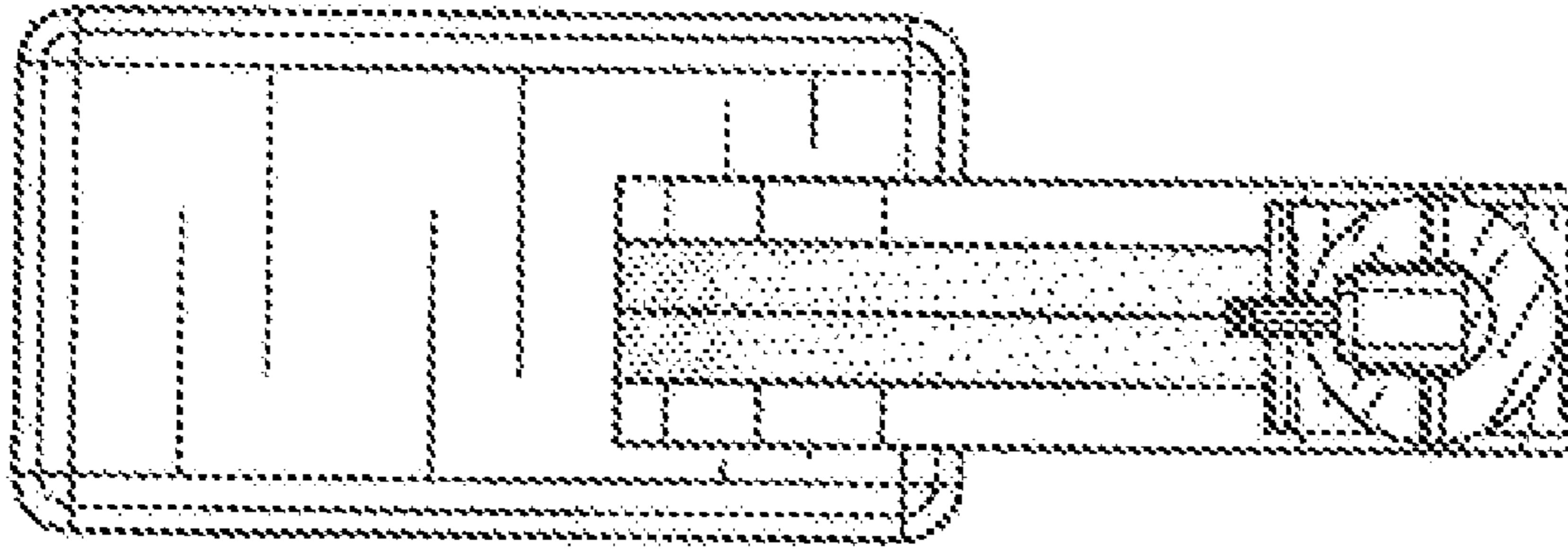


FIG. 5

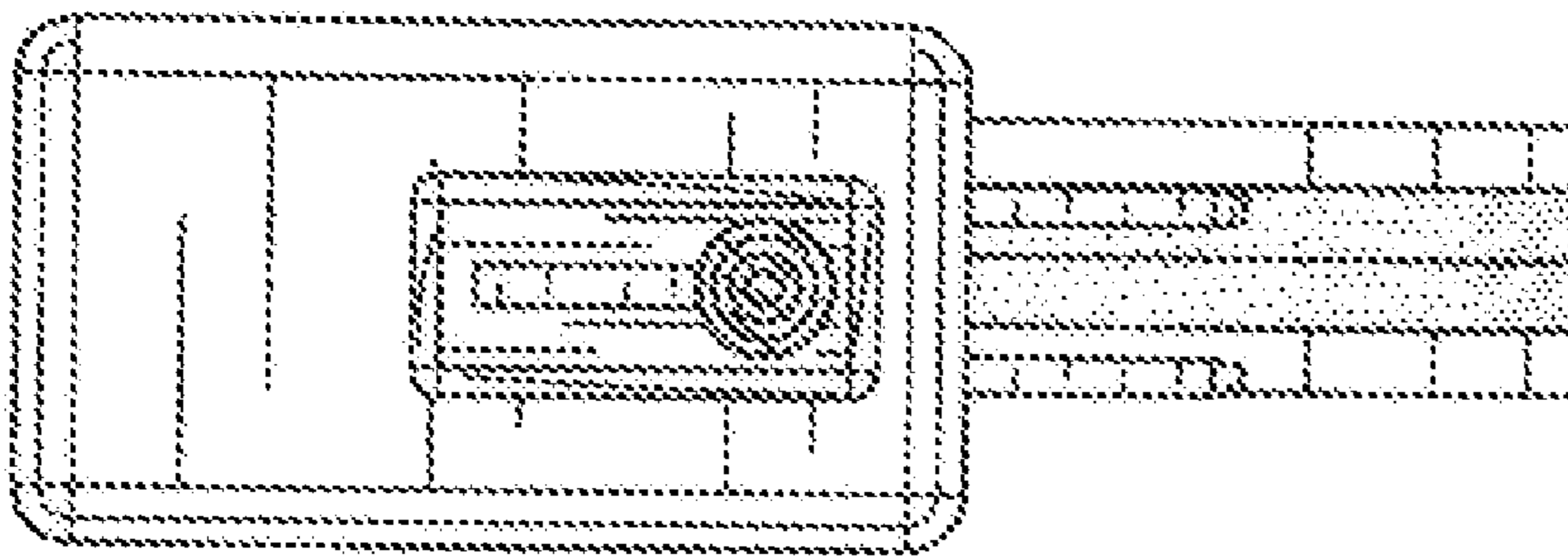


FIG. 4

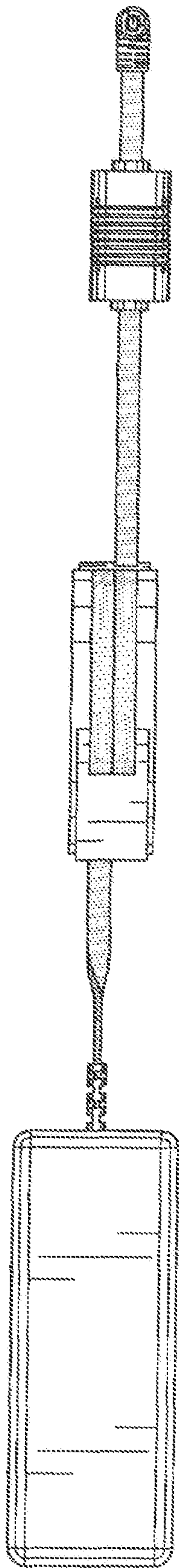


FIG. 6

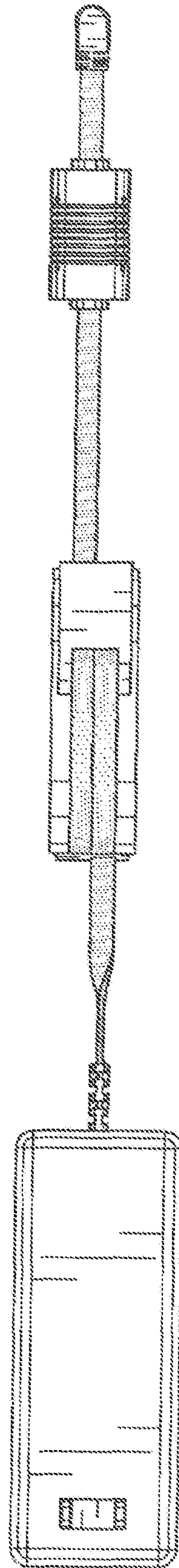


FIG. 7