



US00D554042S

(12) **United States Design Patent**  
**Richter**

(10) **Patent No.:** **US D554,042 S**

(45) **Date of Patent:** **\*\* Oct. 30, 2007**

(54) **OBJECT CARRIER WITH EXCHANGABLE FLEXIBLE SUPPORT ARM**

(76) Inventor: **Harald Richter**, Höhenstrasse 32, 75332 Engelbrand (DE)

(\*\*) Term: **14 Years**

(21) Appl. No.: **29/269,818**

(22) Filed: **Dec. 8, 2006**

(51) **LOC (8) Cl.** ..... **12-16**

(52) **U.S. Cl.** ..... **D12/415; D8/373; D14/447**

(58) **Field of Classification Search** ..... D8/363, D8/71, 373, 350, 355; 248/518, 519, 274.1, 248/205.5, 206.2, 284.1, 346, 548, 483, 185, 248/917, 278, 923; D12/400, 415; D14/447, D14/434, 251, 253; D6/512; 296/37.5, 37.12; 224/273, 929, 545-548; 379/454, 455  
See application file for complete search history.

(56) **References Cited**

**U.S. PATENT DOCUMENTS**

625,917	A *	5/1899	Arnold	.....	248/274.1
2,481,271	A *	9/1949	Willey	.....	248/159
D231,195	S *	4/1974	Reynolds	.....	D12/415
D248,636	S *	7/1978	Stanley	.....	D12/415
4,842,174	A *	6/1989	Sheppard et al.	.....	224/548
D332,789	S *	1/1993	Rak	.....	D12/415
D388,762	S *	1/1998	Nagy	.....	D12/415
D398,796	S *	9/1998	Fauchald et al.	.....	D6/512
D410,622	S *	6/1999	Richter	.....	D12/425
D419,415	S *	1/2000	Richter	.....	D8/71
6,113,047	A *	9/2000	Wung et al.	.....	248/284.1
D487,270	S *	3/2004	Richter	.....	D14/447
6,749,160	B1 *	6/2004	Richter	.....	248/206.2
D522,843	S *	6/2006	Richter	.....	D8/363
D530,333	S *	10/2006	Richter	.....	D14/447
D533,053	S *	12/2006	Brassard	.....	D8/373
D533,054	S *	12/2006	Brassard	.....	D8/373

D533,055	S *	12/2006	Brassard	.....	D8/373
D533,174	S *	12/2006	Richter	.....	D14/251
7,226,026	B2 *	6/2007	Lin	.....	248/205.5
7,229,059	B1 *	6/2007	Hood	.....	248/518
2004/0155164	A1 *	8/2004	Richter	.....	248/274.1

\* cited by examiner

*Primary Examiner*—Stacia Cadmus

(74) *Attorney, Agent, or Firm*—Klaus J. Bach

(57) **CLAIM**

The ornamental design for an object carrier with exchangeable flexible support arm, as shown and described.

**DESCRIPTION**

FIG. 1 is a perspective view of an object carrier with exchangeable flexible support arm;

FIG. 2 is a front view of the object carrier with exchangeable flexible support arm shown in FIG. 1;

FIG. 3 is a left side view of the object carrier with exchangeable flexible support arm shown in FIG. 1; a right side view is mirror-reversed,

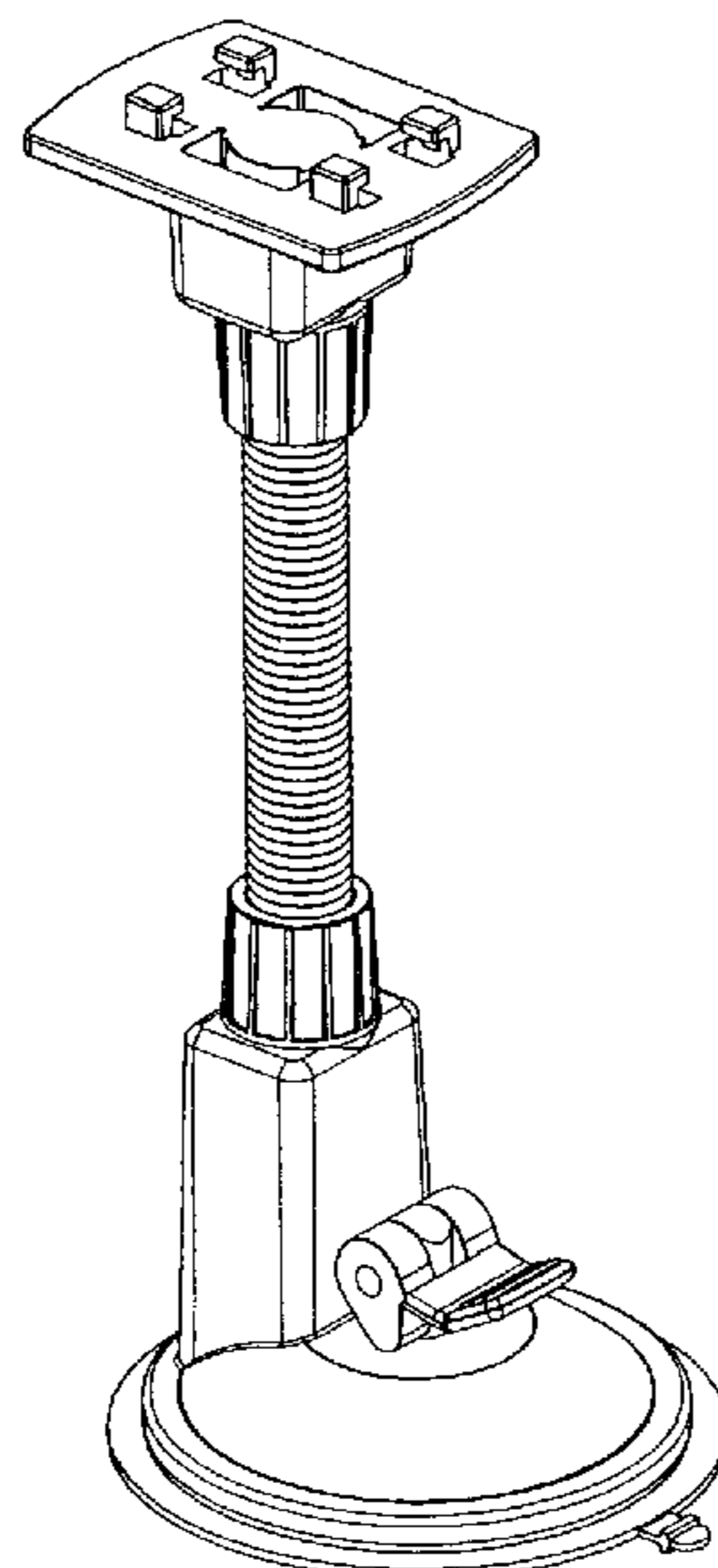
FIG. 4 is a rear view of the object carrier with exchangeable flexible support arm shown in FIG. 1,

FIG. 5 is a top view of the object carrier with exchangeable flexible support arm shown in FIG. 1, and,

FIG. 6 is a bottom view of the object carrier with exchangeable flexible support arm shown in FIG. 1.

The object carrier with exchangeable flexible support arm is used for mounting supports for apparatus or instruments such as mobile telephones, hand-held computers, PDAs, navigation devices by way of a suction cup on smooth surfaces such as windshields in positions convenient for the user.

**1 Claim, 2 Drawing Sheets**



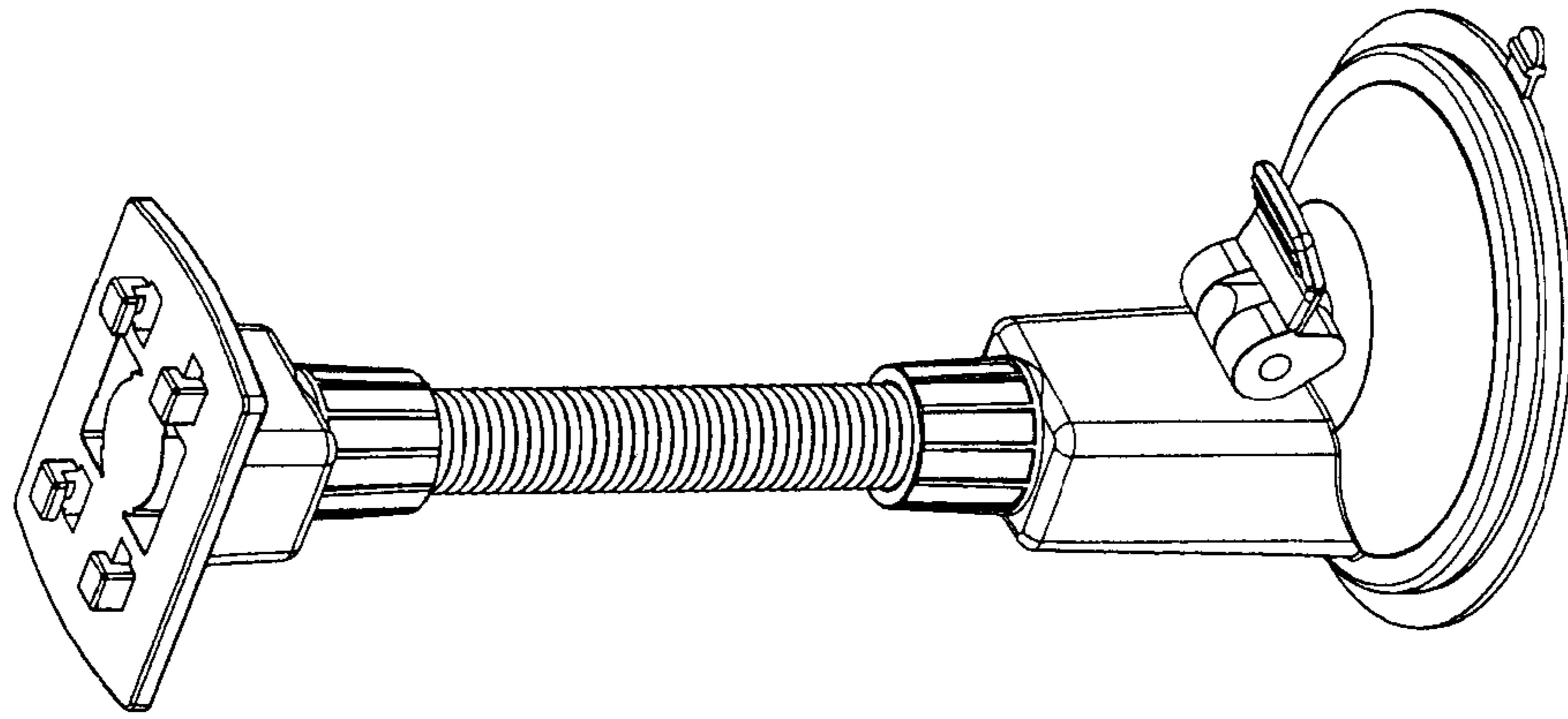


Fig. 1

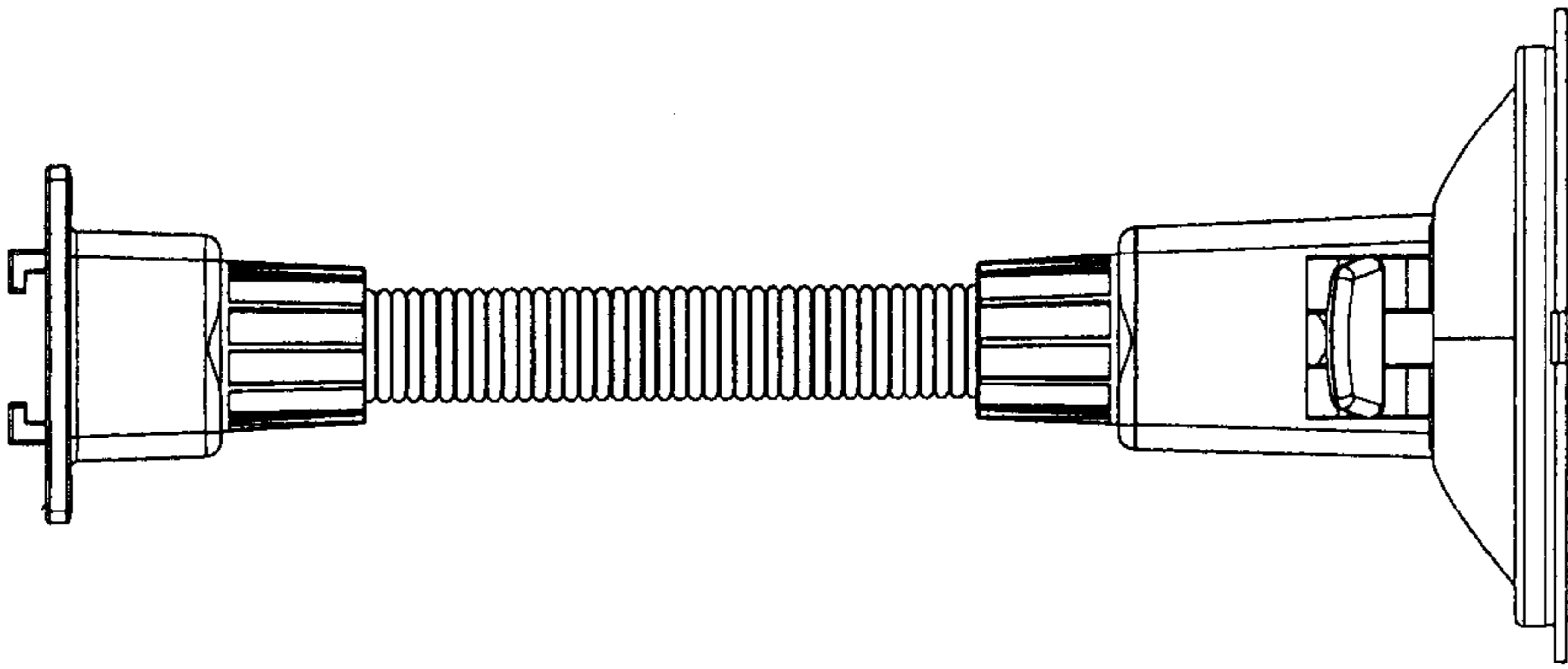


Fig. 2

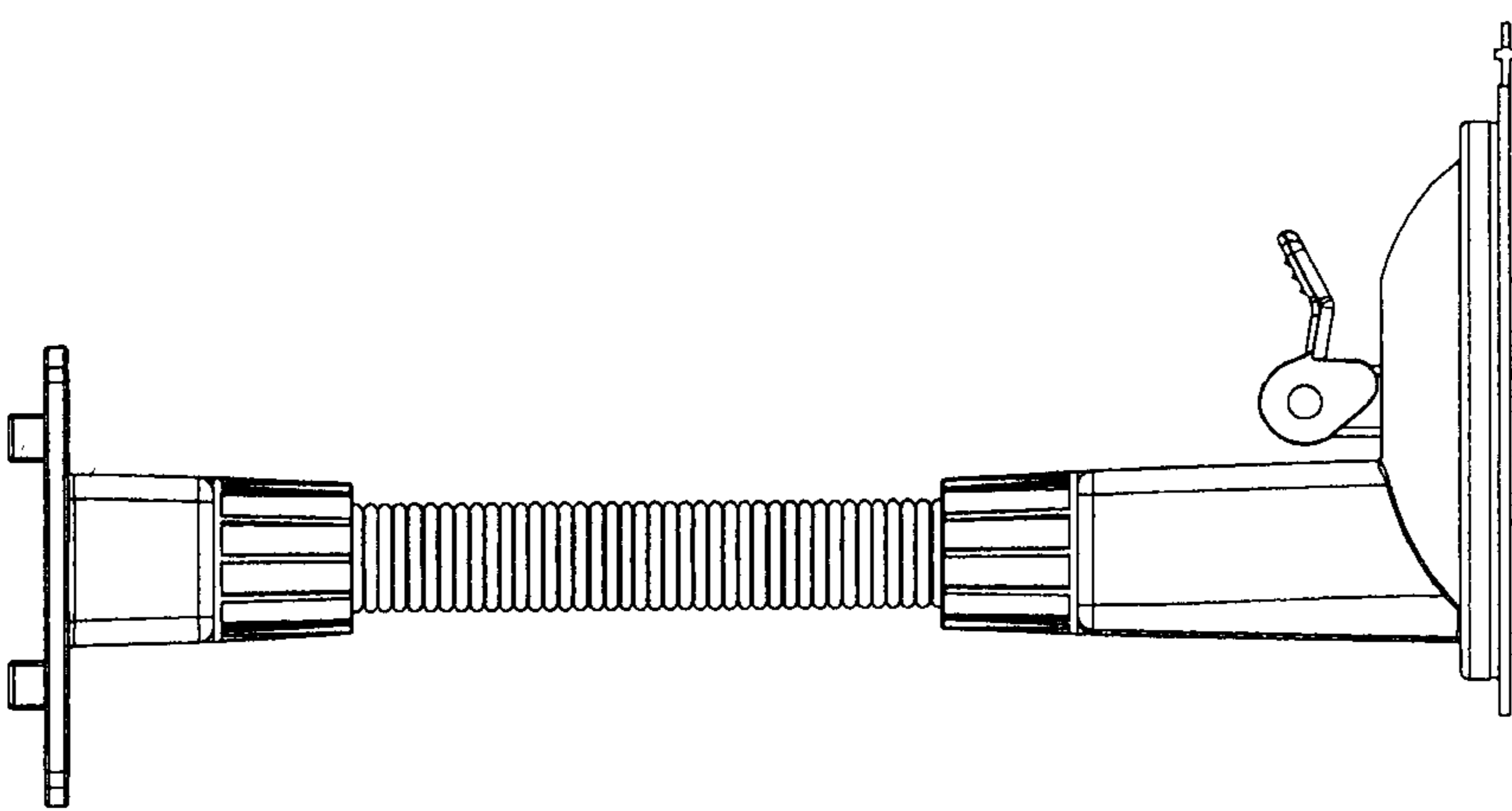


Fig. 3

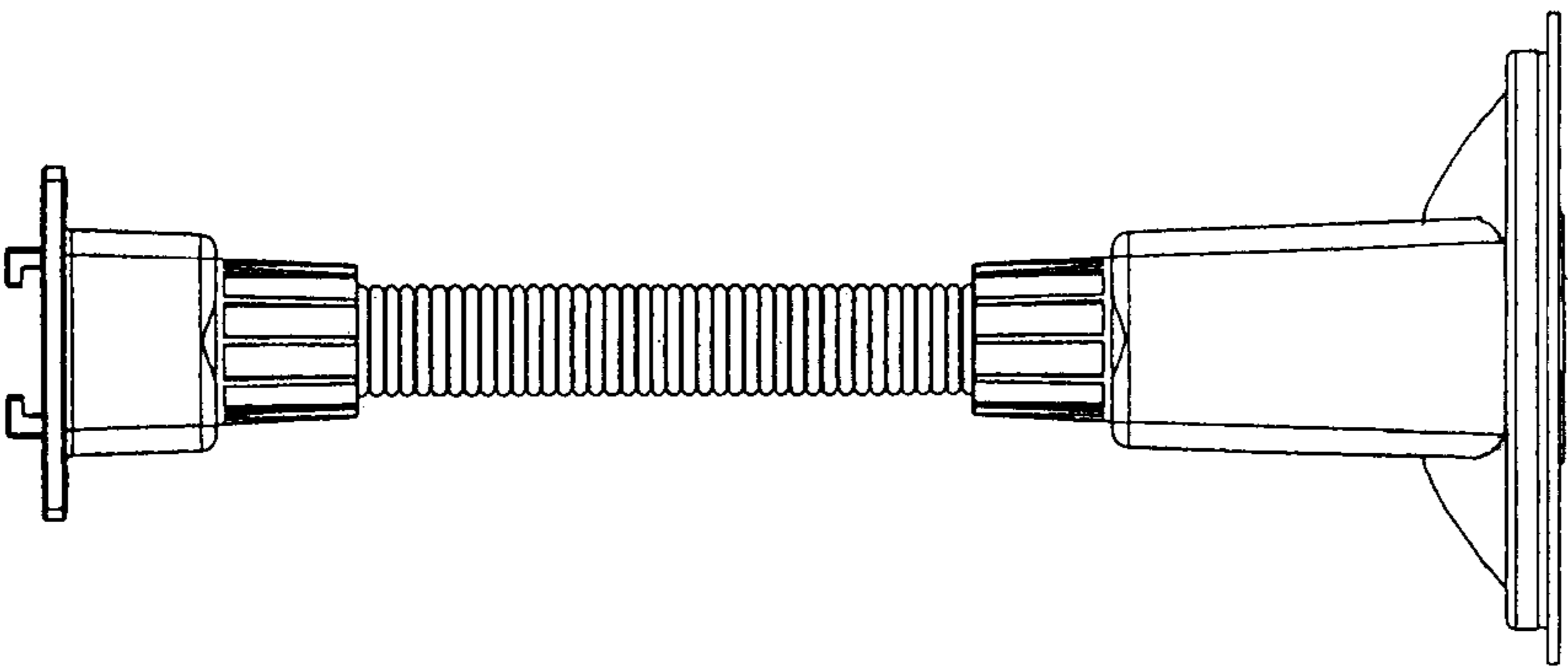


Fig. 4

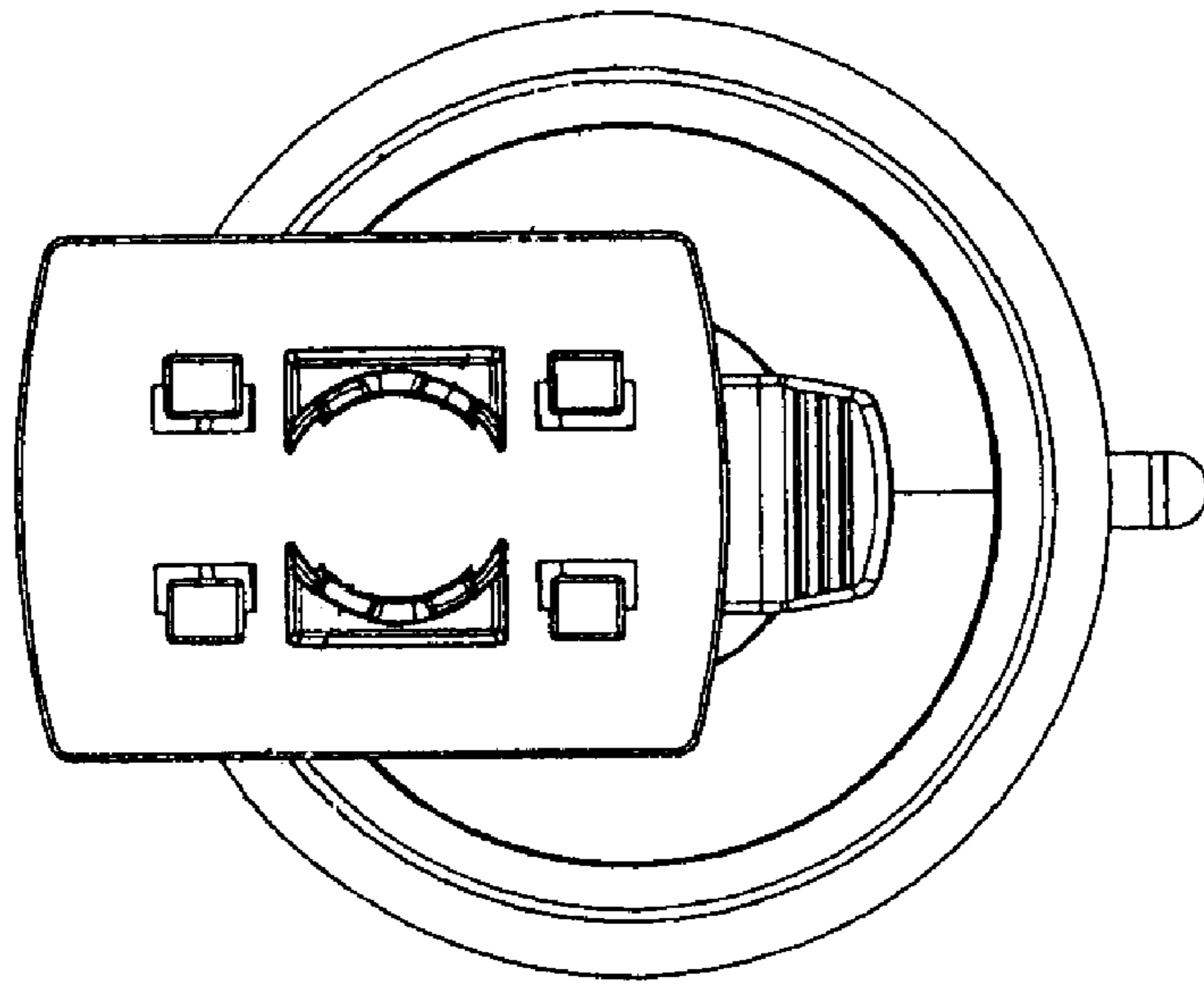


Fig. 5

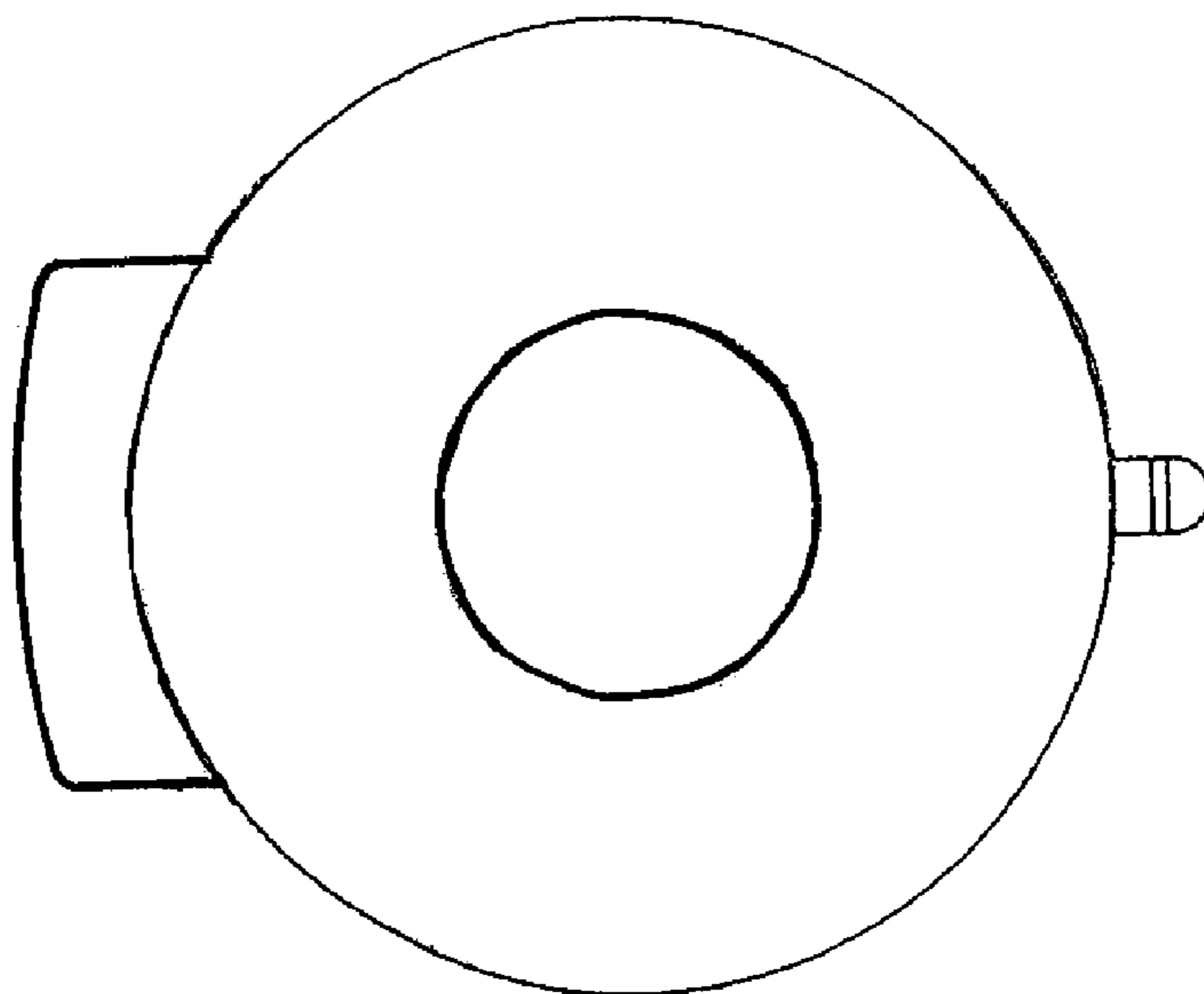


Fig. 6