



US00D554041S

(12) **United States Design Patent** (10) **Patent No.:** **US D554,041 S**
Ezra (45) **Date of Patent:** **** Oct. 30, 2007**

(54) **SINGLE MOTORCYCLE CARRIER WITH RAMP**

(76) Inventor: **Leslie Paul Ezra**, 9341 S. Street Road
39, Winamac, IN (US) 46996

(**) Term: **14 Years**

(21) Appl. No.: **29/273,813**

(22) Filed: **Mar. 15, 2007**

(51) **LOC (8) Cl.** **12-11**

(52) **U.S. Cl.** **D12/408**

(58) **Field of Classification Search** D12/406-408,
D12/115, 120, 412, 110; 211/5, 17-22; 224/412-415,
224/488, 489, 309-311, 400, 495, 324-326,
224/500-532, 924, 416-425; 180/219, 288.4;
280/202, 292, 304.5

See application file for complete search history.

(56) **References Cited**

U.S. PATENT DOCUMENTS

3,176,903 A	4/1965	Farley
3,567,052 A	3/1971	Allen et al.
3,731,830 A	5/1973	Long
3,912,139 A	10/1975	Bowman
4,275,981 A	6/1981	Bruhn
4,349,138 A	9/1982	Bruhn
4,744,590 A	5/1988	Chesney
D306,992 S	4/1990	Morehouse
5,377,886 A	1/1995	Sickler
5,497,927 A	3/1996	Peterson
5,649,732 A	7/1997	Jordan
5,699,985 A	12/1997	Vogel
D393,241 S	4/1998	Diotte
6,019,266 A	2/2000	Johnson

6,179,184 B1	1/2001	Belinky	
6,390,343 B1	5/2002	Jain	
D458,579 S	6/2002	Adams	
D467,218 S	12/2002	Peschmann	
6,579,055 B1	6/2003	Williams	
D528,064 S *	9/2006	Ezra D12/408
2002/0154980 A1 *	10/2002	Potts 414/462
2004/0004099 A1 *	1/2004	Crouch 224/519

* cited by examiner

Primary Examiner—Alan P. Douglas

Assistant Examiner—Linda Brooks

(57) **CLAIM**

The ornamental design for a single motorcycle carrier with ramp, as shown.

DESCRIPTION

FIG. 1 is a front perspective view of single motorcycle carrier with ramp.

FIG. 2 is a front elevation view of the single motorcycle carrier with ramp.

FIG. 3 is a rear elevation view of the single motorcycle carrier with ramp.

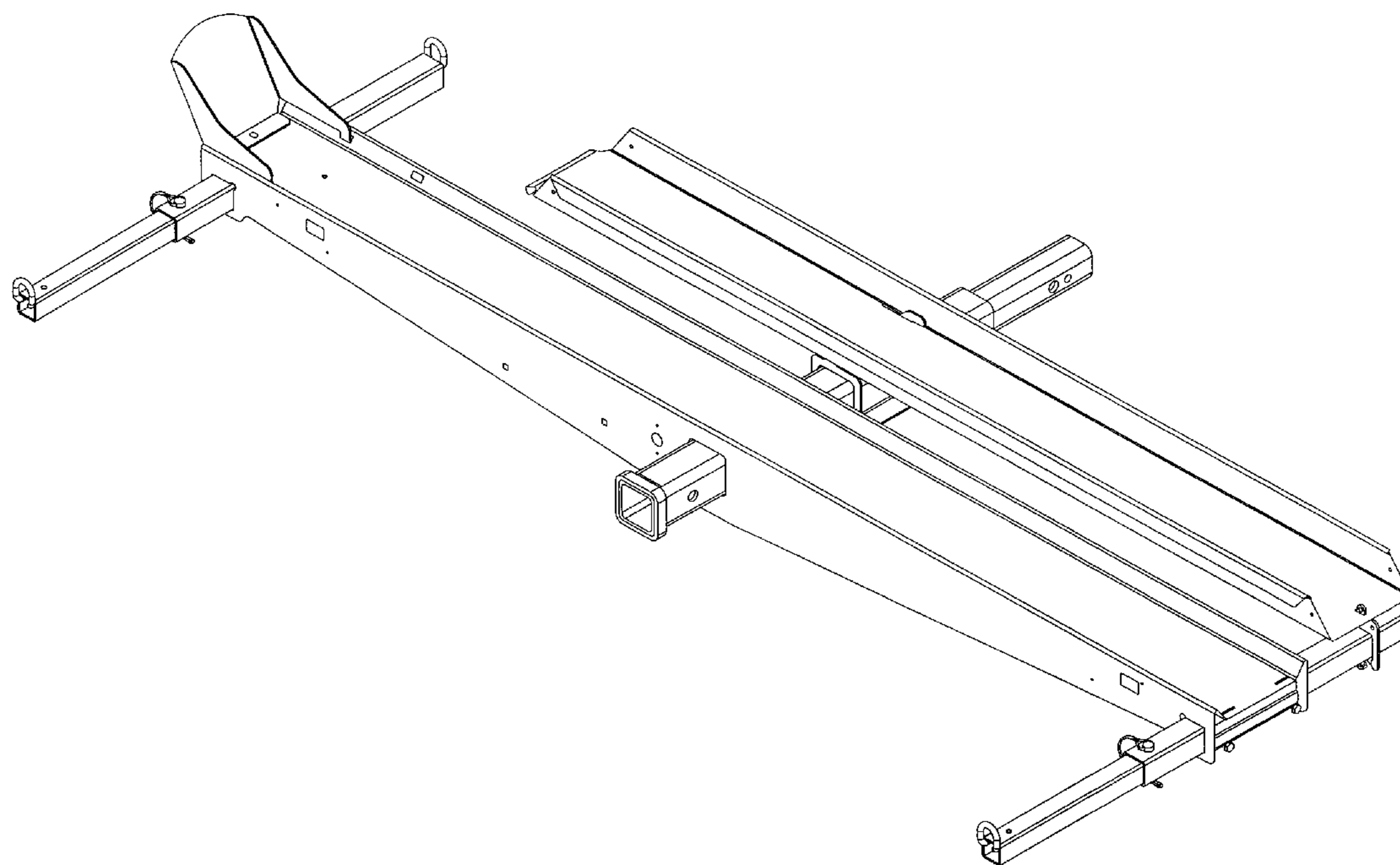
FIG. 4 is a top plan view of the single motorcycle carrier with ramp.

FIG. 5 is a bottom plan view of the single motorcycle carrier with ramp.

FIG. 6 is a left side elevation view of the single motorcycle carrier with ramp; and,

FIG. 7 is a right side elevation view of the single motorcycle carrier with ramp.

1 Claim, 7 Drawing Sheets



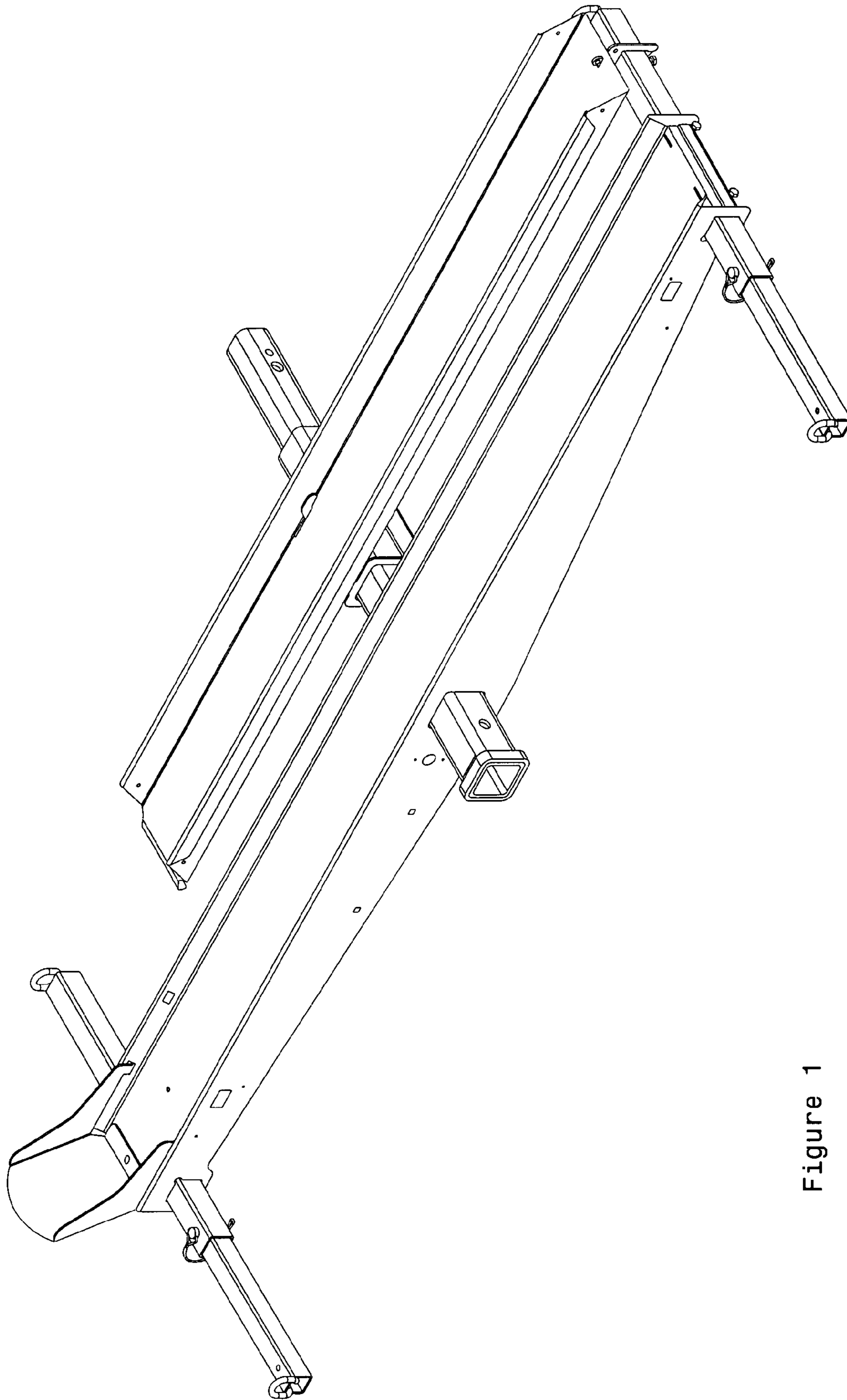


Figure 1

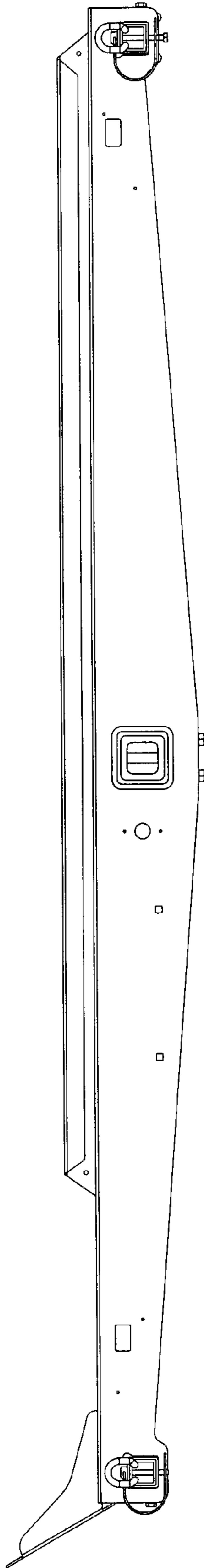


Figure 2

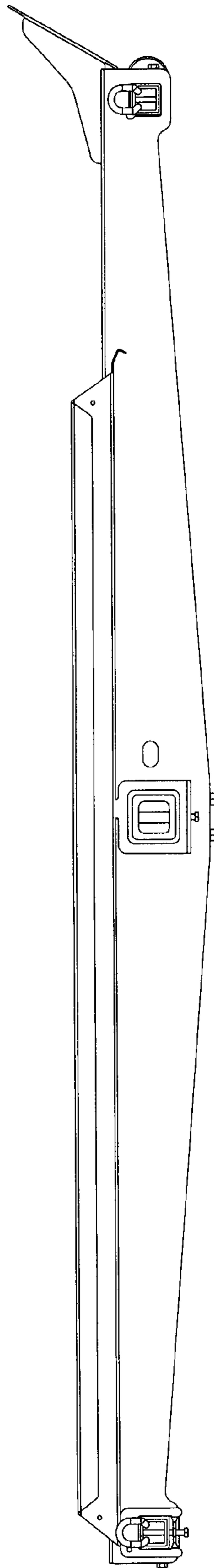


Figure 3

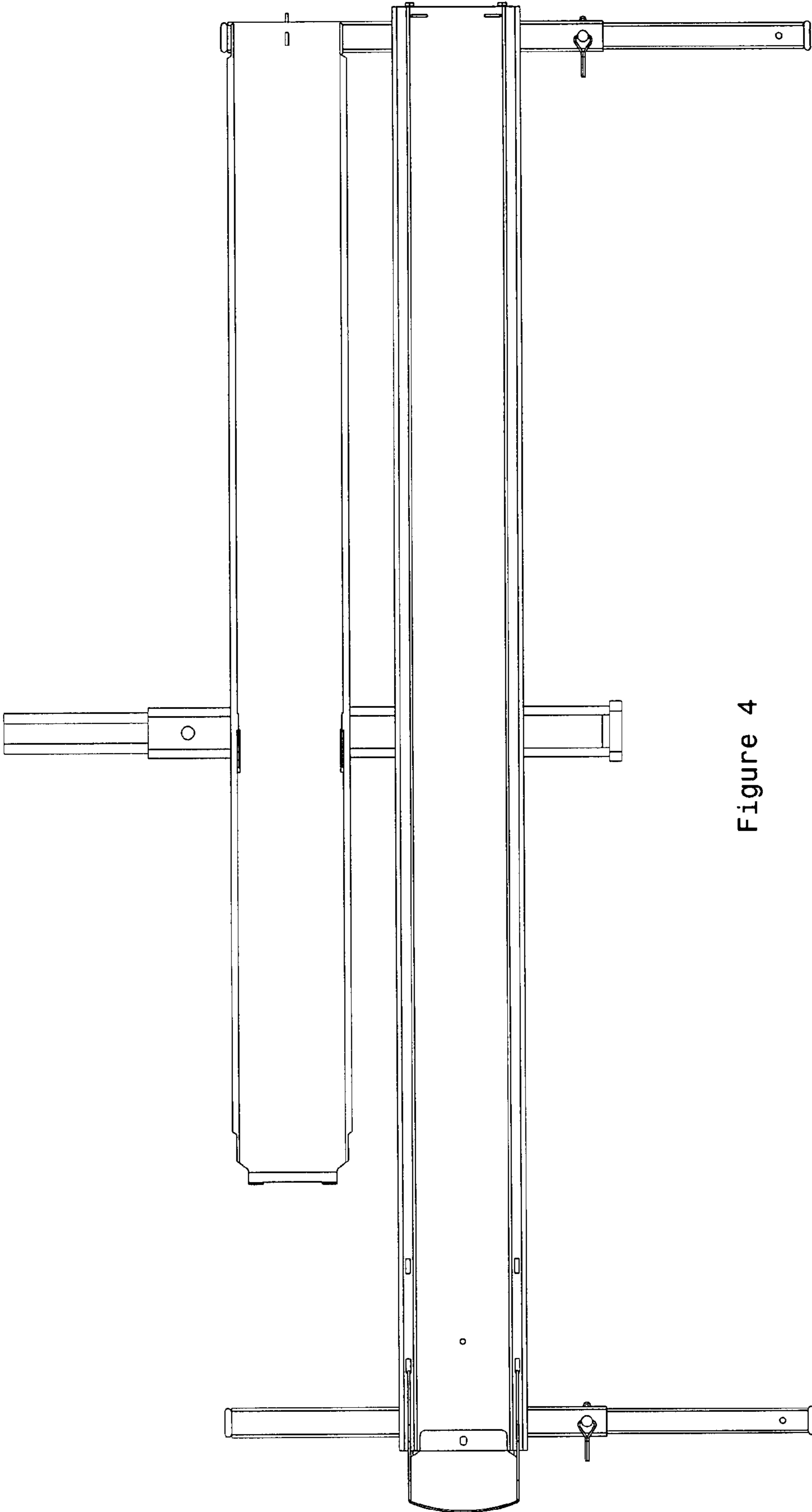


Figure 4

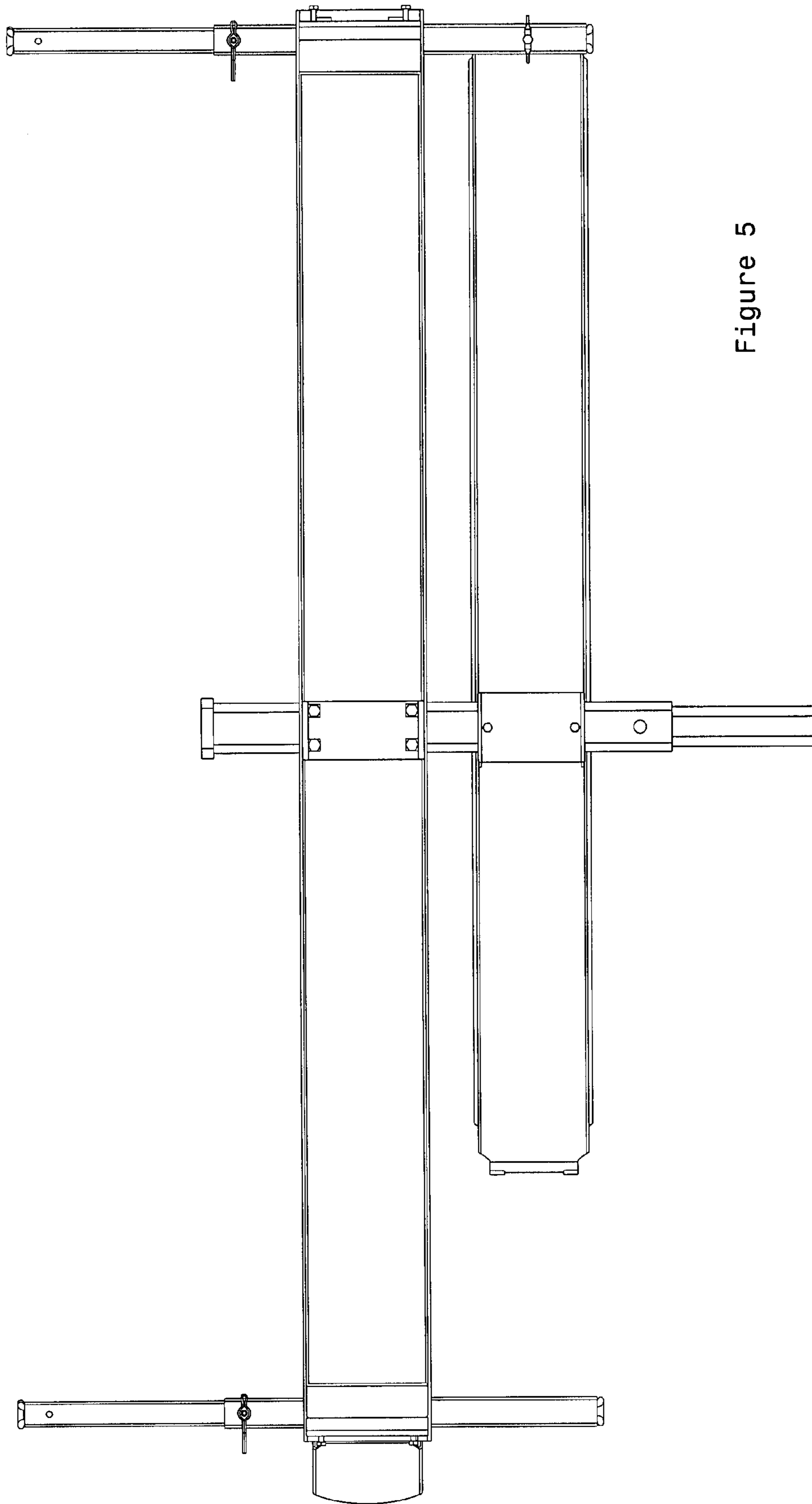


Figure 5

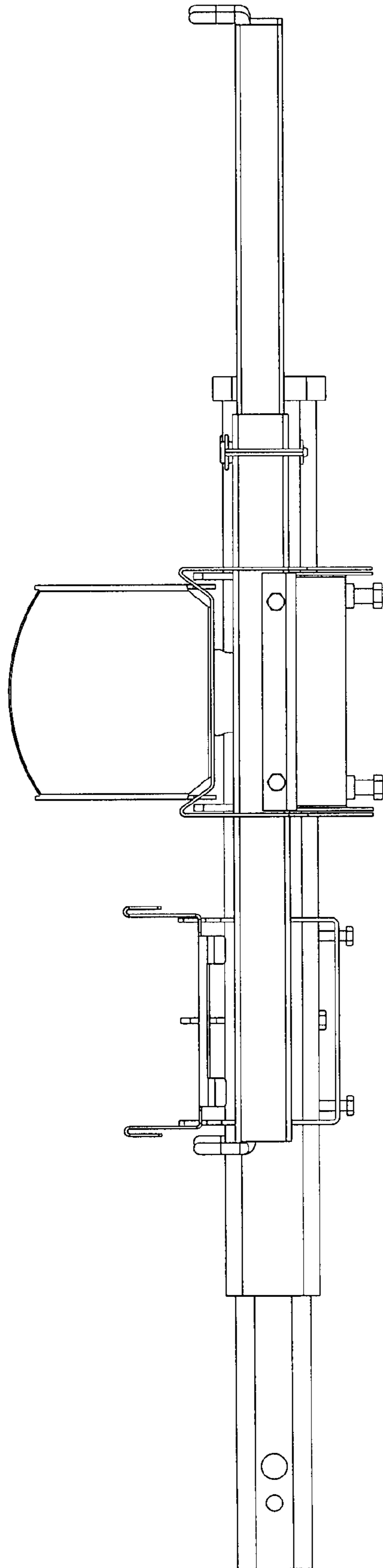


Figure 6

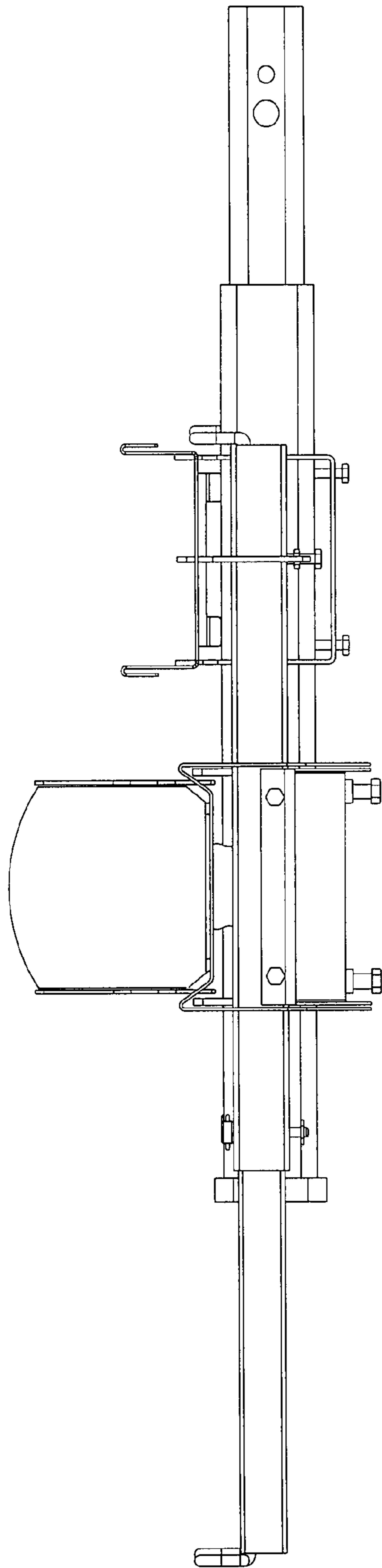


Figure 7