



US00D554040S

(12) **United States Design Patent** (10) **Patent No.:** **US D554,040 S**
Van de Rostyne et al. (45) **Date of Patent:** **** Oct. 30, 2007**

(54) **HELICOPTER PROPELLER**

(75) Inventors: **Alexander Jozef Magdalena Van de Rostyne**, Bornem (BE); **Chi Pok Billy Wai**, Quarry Bay (HK)

(73) Assignee: **Silverlit Toys Manufactory, Ltd.**, Hong Kong (HK)

(**) Term: **14 Years**

(21) Appl. No.: **29/280,187**

(22) Filed: **May 18, 2007**

Related U.S. Application Data

(60) Division of application No. 29/277,652, filed on Mar. 5, 2007, and a division of application No. 29/275,322, filed on Dec. 20, 2006, now Pat. No. Des. 546,269, and a division of application No. 29/275,323, filed on Dec. 20, 2006, now Pat. No. Des. 544,825, and a division of application No. 29/275,324, filed on Dec. 20, 2006, now Pat. No. Des. 545,755, said application No. 29/275,322 is a continuation-in-part of application No. 11/465,781, filed on Aug. 18, 2006, and a continuation-in-part of application No. 11/462,177, filed on Aug. 3, 2006, said application No. 29/275,323 is a continuation-in-part of application No. 11/465,781, filed on Aug. 18, 2006, and a continuation-in-part of application No. 11/462,177, filed on Aug. 3, 2006, said application No. 29/275,324 is a continuation-in-part of application No. 11/465,781, filed on Aug. 18, 2006, and a continuation-in-part of application No. 11/462,177, filed on Aug. 3, 2006.

(30) **Foreign Application Priority Data**

Jan. 19, 2006 (BE) 2006/0043

(51) **LOC (8) Cl.** **12-07**

(52) **U.S. Cl.** **D12/345**

(58) **Field of Classification Search** D12/326-329, D12/345; D21/441-442, 450, 453; 446/36-45, 446/230, 232; 244/17.11, 217.27
See application file for complete search history.

(56) **References Cited**

U.S. PATENT DOCUMENTS

1,403,909 A 1/1922 Moir
1,773,281 A 8/1930 Scott
D163,938 S 7/1951 Douglas
D171,569 S 3/1954 Apostolescu

(Continued)

FOREIGN PATENT DOCUMENTS

JP 2005193905 A 7/2005
JP 2004121798 A 12/2006

Primary Examiner—Ian Simmons
Assistant Examiner—Maurice Stevens
(74) *Attorney, Agent, or Firm*—Greenberg Traurig, LLP

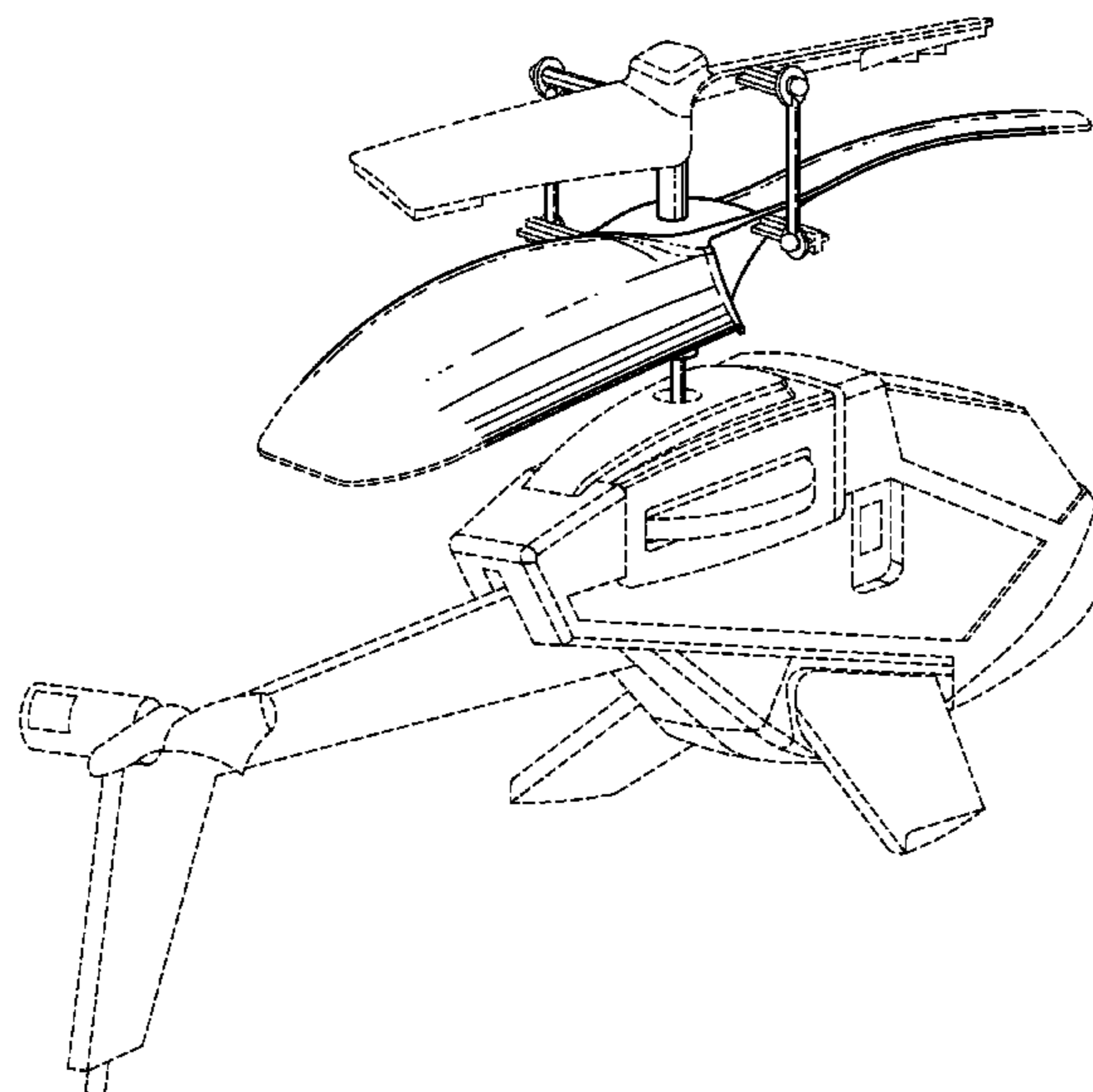
(57) **CLAIM**

The ornamental design for a helicopter propeller, as shown and described.

DESCRIPTION

FIG. 1 is a perspective side view of a helicopter propeller; FIG. 2 is an opposite perspective side view of the helicopter propeller; FIG. 3 is a side view of the helicopter propeller; and, FIG. 4 is a top view of the helicopter propeller. Broken lines are for illustrative purposes only and form no part of the claimed design.

1 Claim, 4 Drawing Sheets



US D554,040 S

Page 2

U.S. PATENT DOCUMENTS

D178,081 S	6/1956	Papadakos		6,039,541 A	3/2000	Parker et al.	
D294,605 S *	3/1988	Matsumoto	D21/583	D425,853 S *	5/2000	Caporaletti	D12/327
5,240,204 A	8/1993	Kunz		D467,861 S	12/2002	Lee	
D357,894 S	5/1995	Arnold et al.		6,659,721 B1	12/2003	Parker et al.	
5,609,312 A	3/1997	Arlton et al.		6,884,034 B1	4/2005	Parker et al.	
D388,048 S	12/1997	Collins et al.		6,929,215 B2	8/2005	Arlton et al.	
5,879,131 A	3/1999	Arlton et al.		D524,229 S *	7/2006	Stille et al.	D12/327
D421,279 S *	2/2000	Tsai	D21/442	2006/0231677 A1	10/2006	Zimet et al.	

* cited by examiner

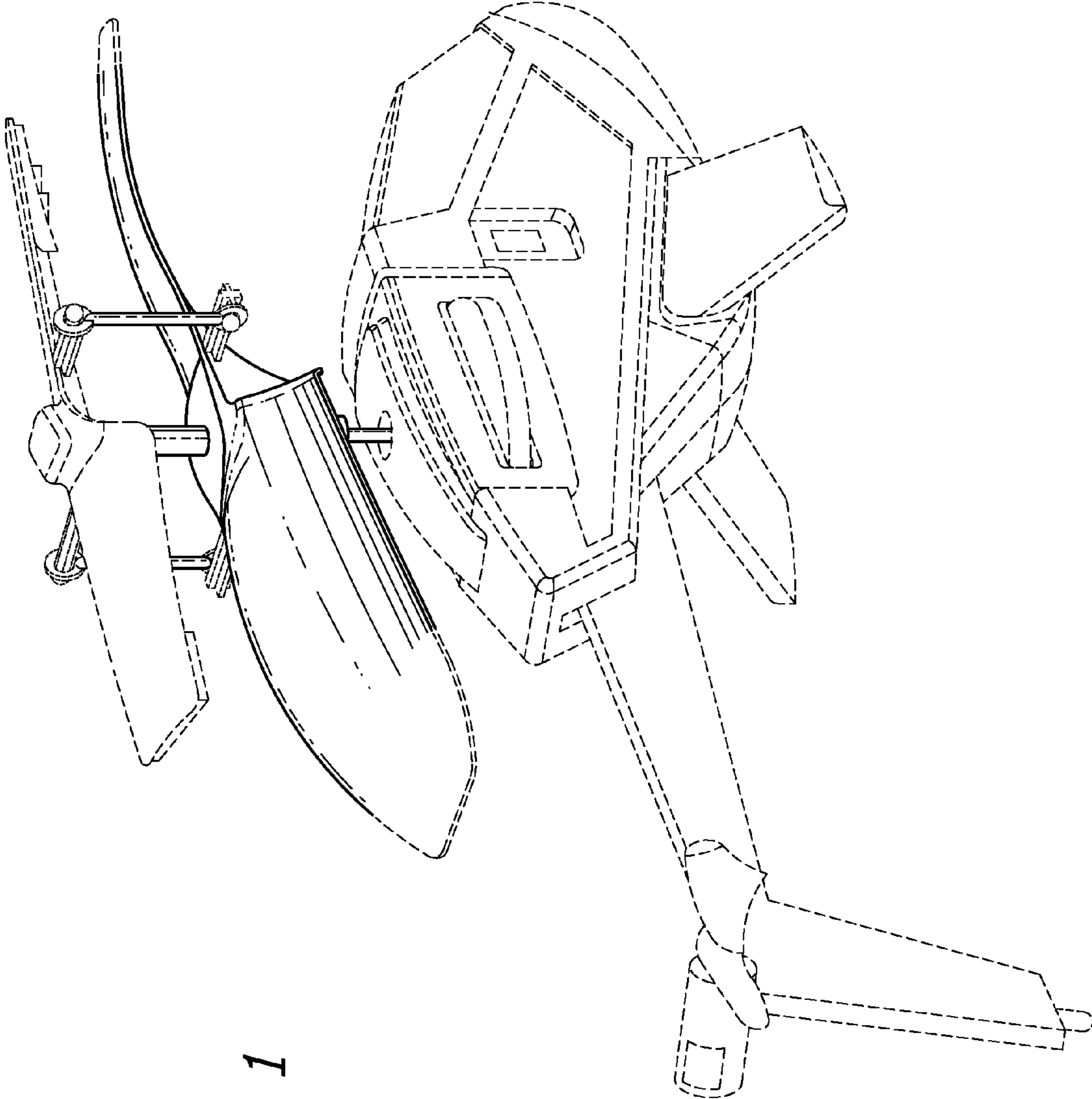


FIG. 1

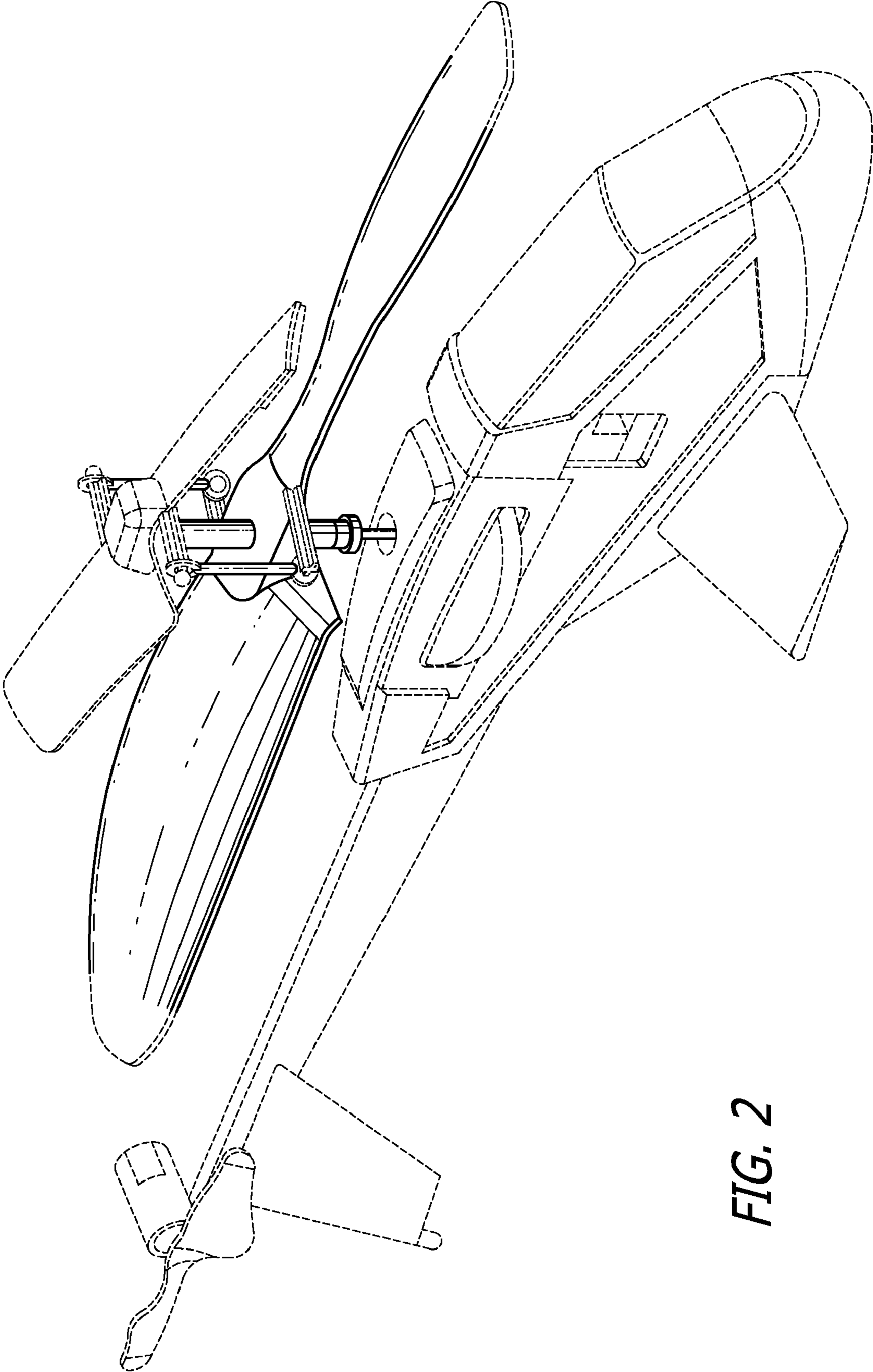


FIG. 2

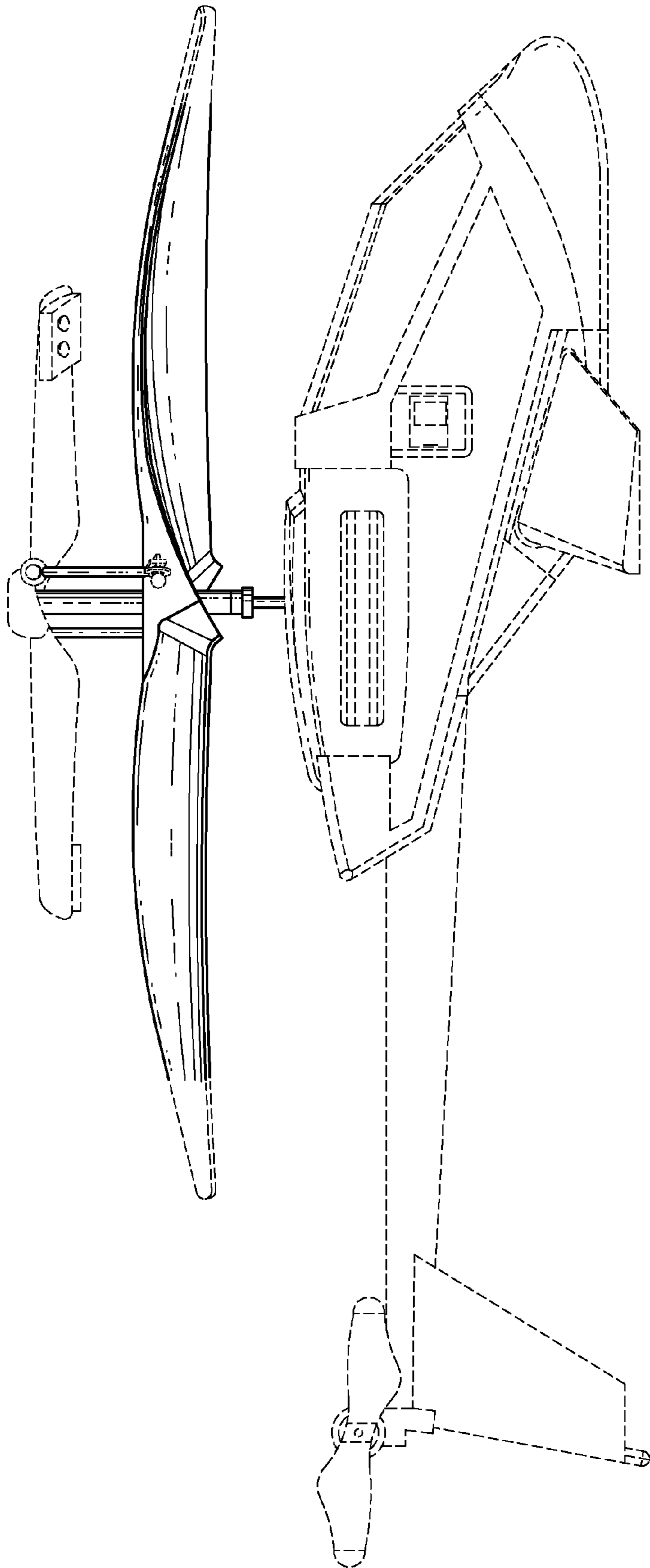


FIG. 3

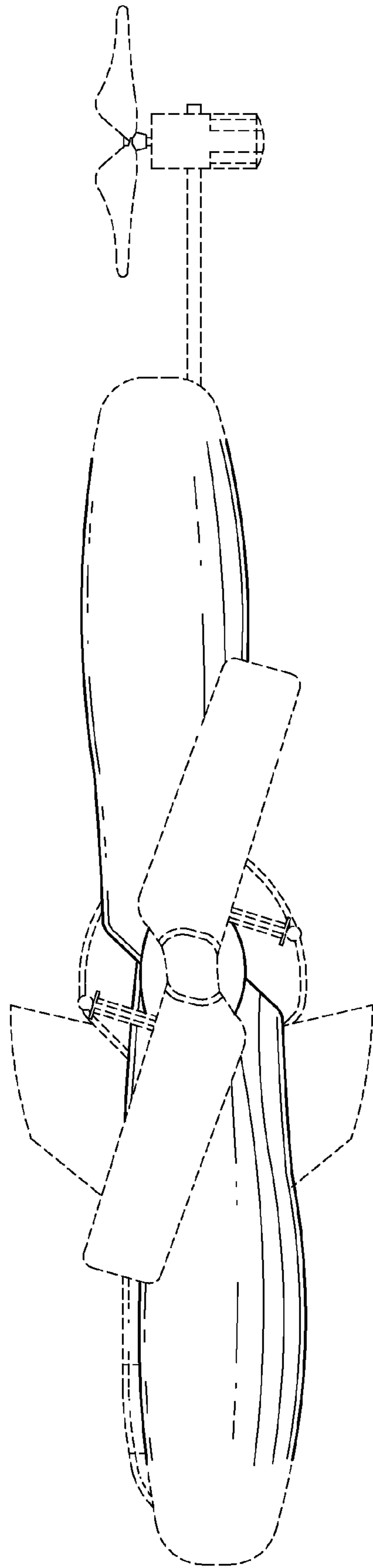


FIG. 4