



US00D554039S

(12) **United States Design Patent**
Bulson

(10) **Patent No.:** **US D554,039 S**

(45) **Date of Patent:** **** Oct. 30, 2007**

(54) **BICYCLE STABILIZER WHEEL MOUNTING BRACKET**

D432,954 S * 10/2000 Bulson D12/114
D448,705 S * 10/2001 Bulson D12/114

(76) Inventor: **Kevin F. Bulson**, 801 Ashmeade Rd.,
Charlotte, NC (US) 28211

* cited by examiner

Primary Examiner—Cathron C. Brooks

Assistant Examiner—Linda Brooks

(74) *Attorney, Agent, or Firm*—Ralph H. Dougherty

(**) Term: **14 Years**

(21) Appl. No.: **29/265,089**

(57) **CLAIM**

(22) Filed: **Aug. 24, 2006**

The ornamental design for a bicycle stabilizer wheel mounting bracket, as shown and described.

(51) **LOC (8) Cl.** **12-11**

(52) **U.S. Cl.** **D12/223**

(58) **Field of Classification Search** D12/111,
D12/112, 114, 153, 223; 280/288.4, 293,
280/291.1, 307, 767; 248/291.1, 300; D8/396
See application file for complete search history.

DESCRIPTION

FIG. 1 is an isometric view of the bicycle stabilizer wheel mounting bracket showing the new design;

FIG. 2 is a top view thereof on a reduced scale;

FIG. 3 is a front view thereof on a reduced scale;

FIG. 4 is a right side view thereof on a reduced scale;

FIG. 5 is a rear view thereof on a reduced scale; and,

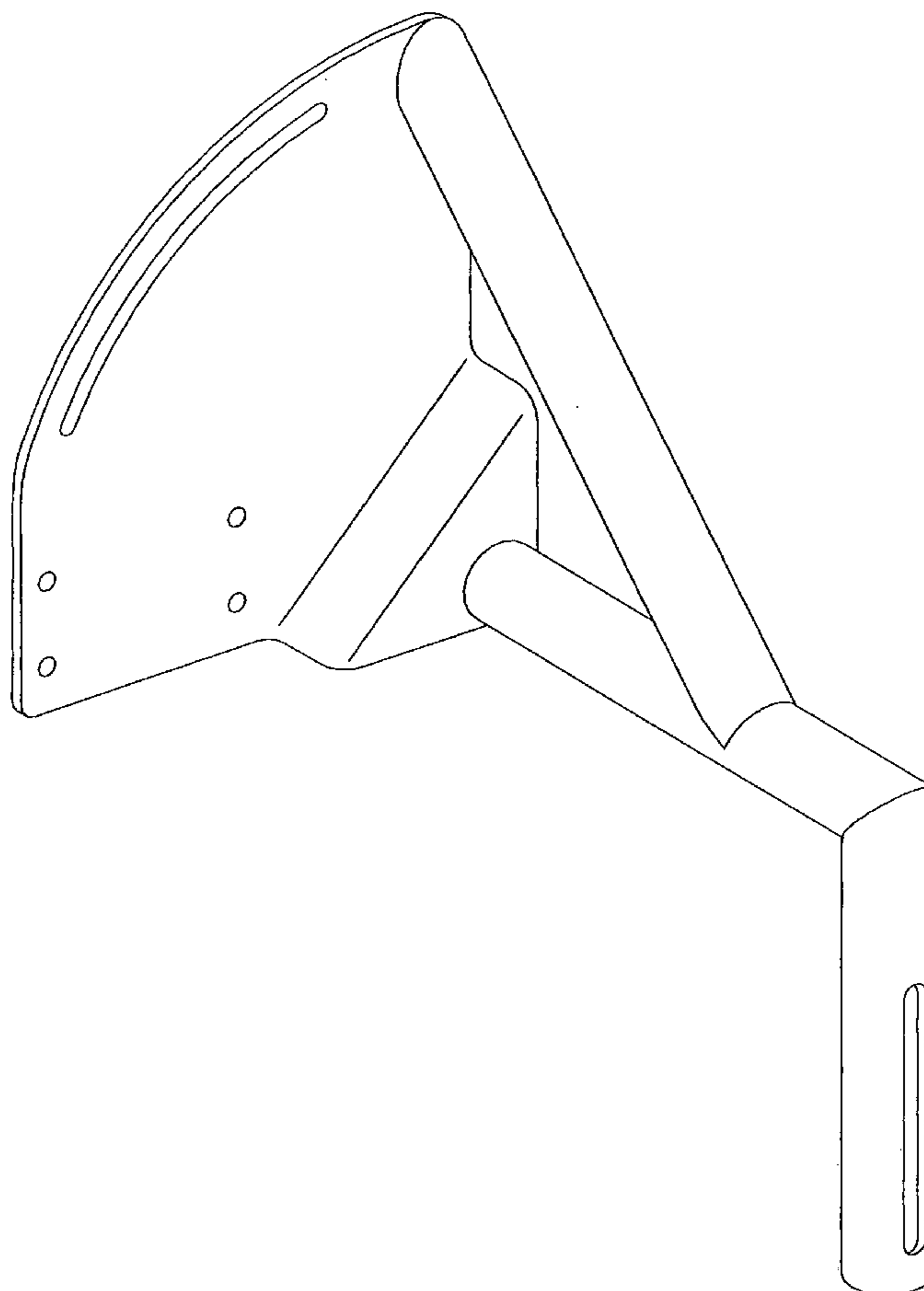
FIG. 6 is a bottom view thereof on a reduced scale.

(56) **References Cited**

U.S. PATENT DOCUMENTS

3,642,305	A *	2/1972	Pawsat	280/293
4,326,729	A *	4/1982	Luckowski et al.	280/304
5,054,803	A *	10/1991	Ellingsen, Jr.	280/301
D392,933	S *	3/1998	Mattila	D12/223

1 Claim, 2 Drawing Sheets



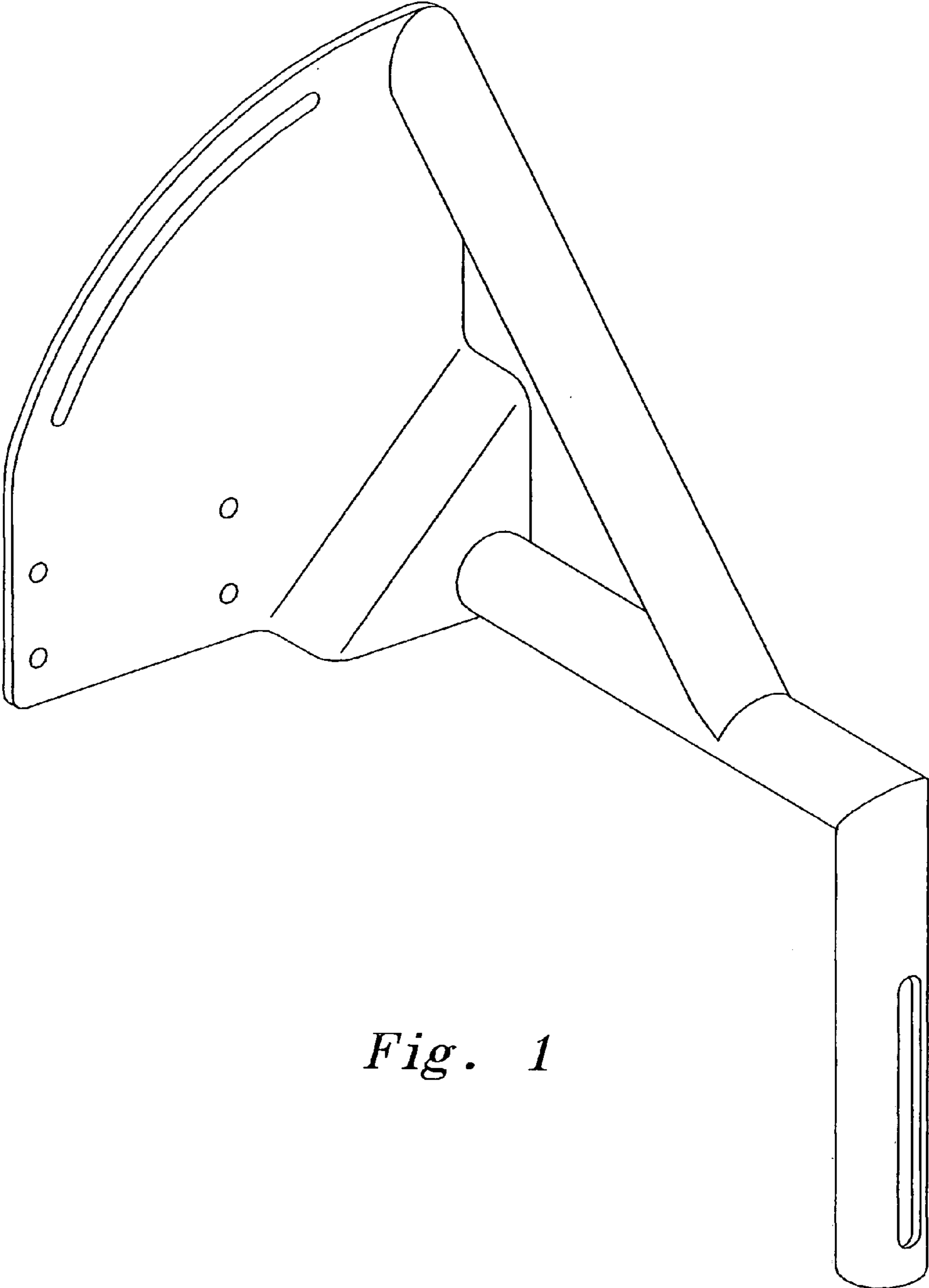


Fig. 1

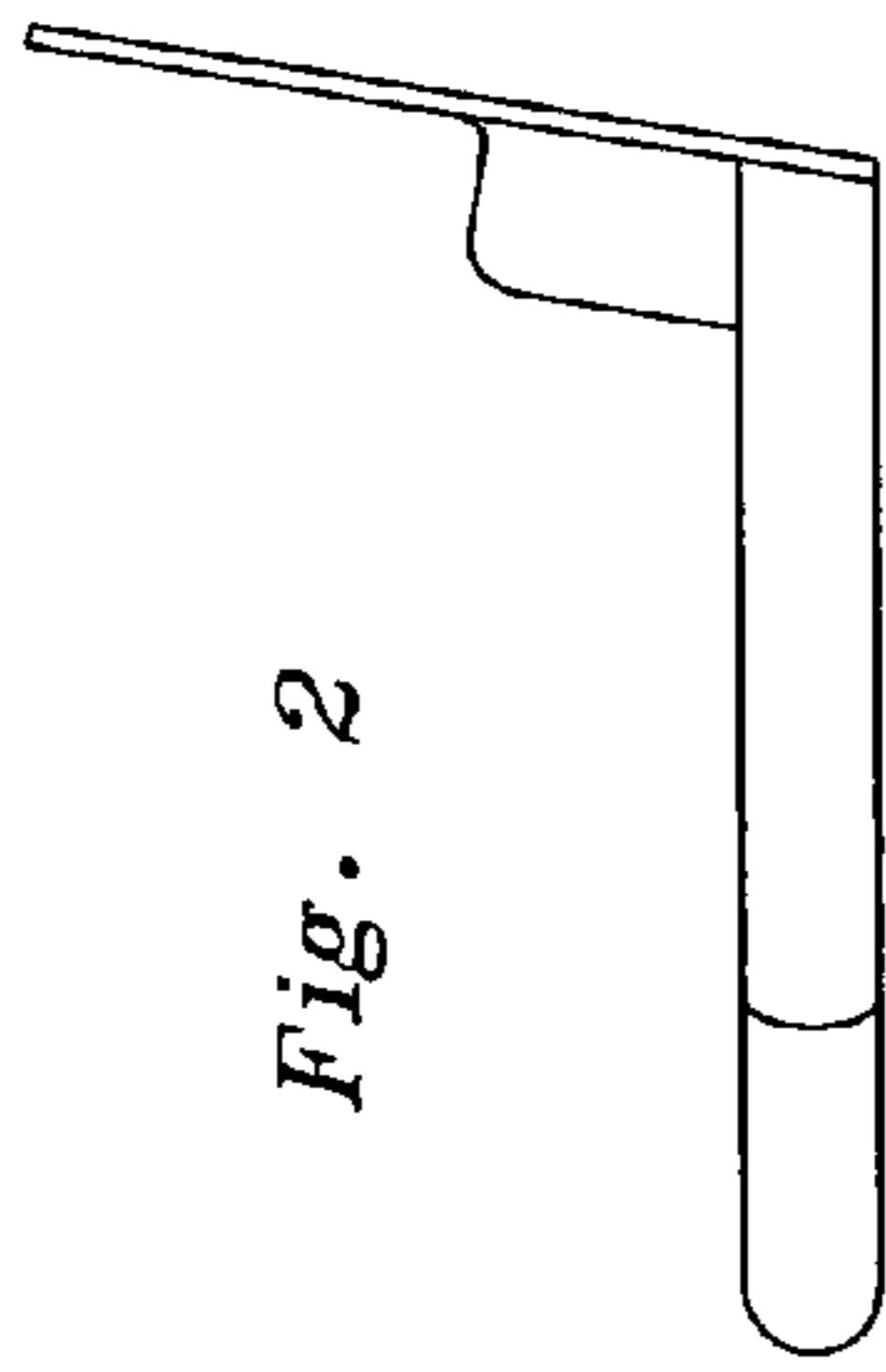


Fig. 2

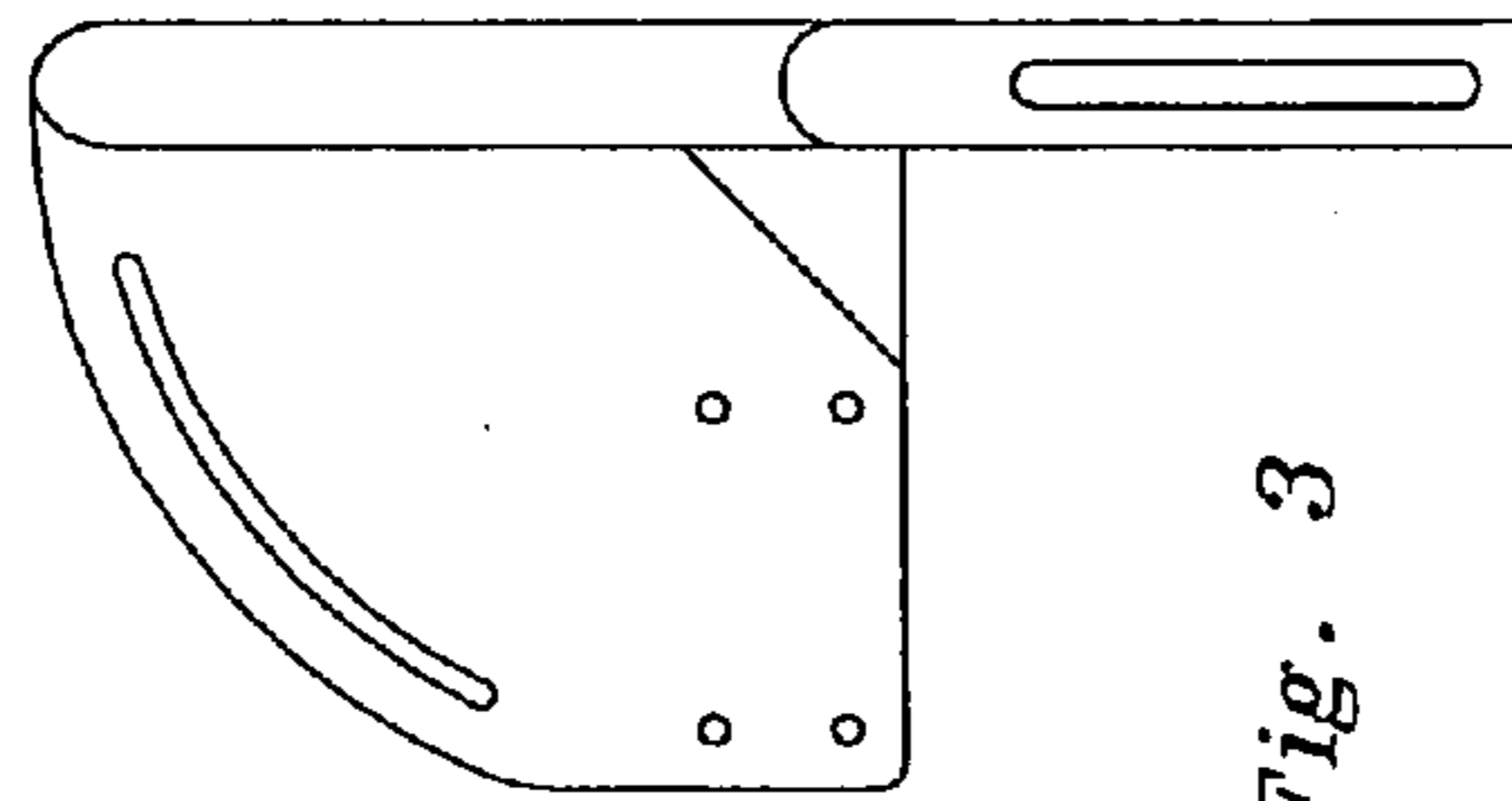


Fig. 3

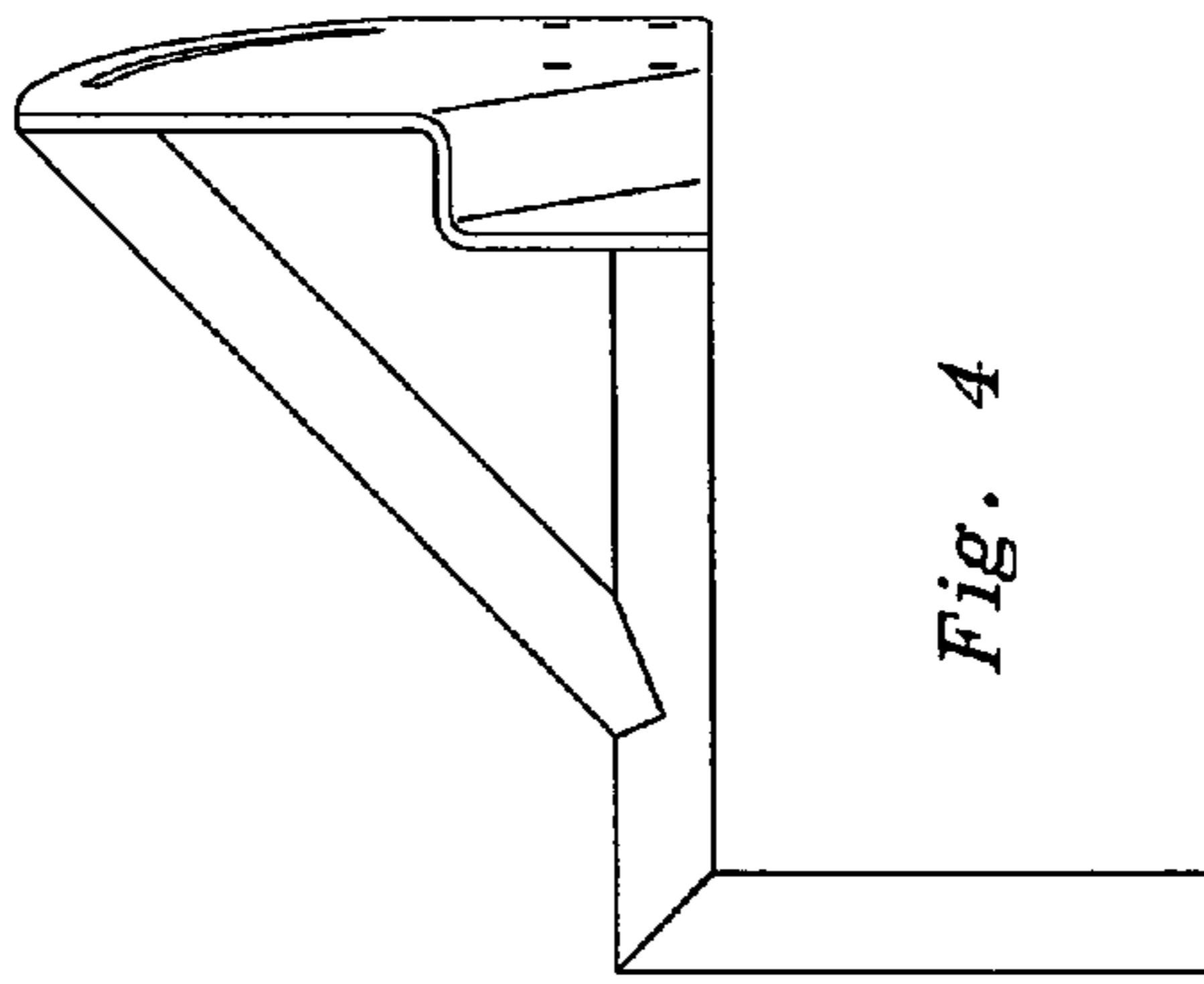


Fig. 4

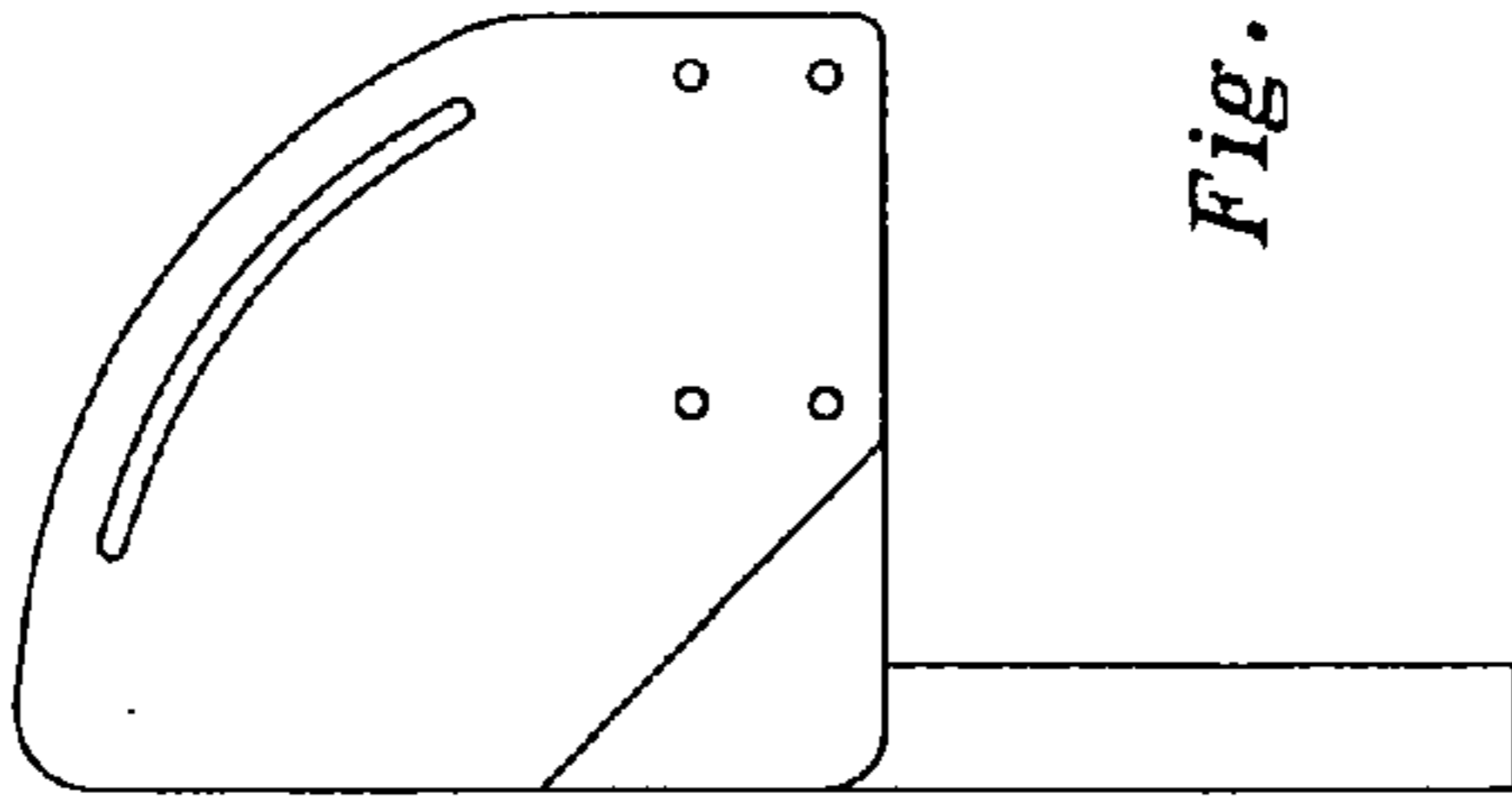


Fig. 5

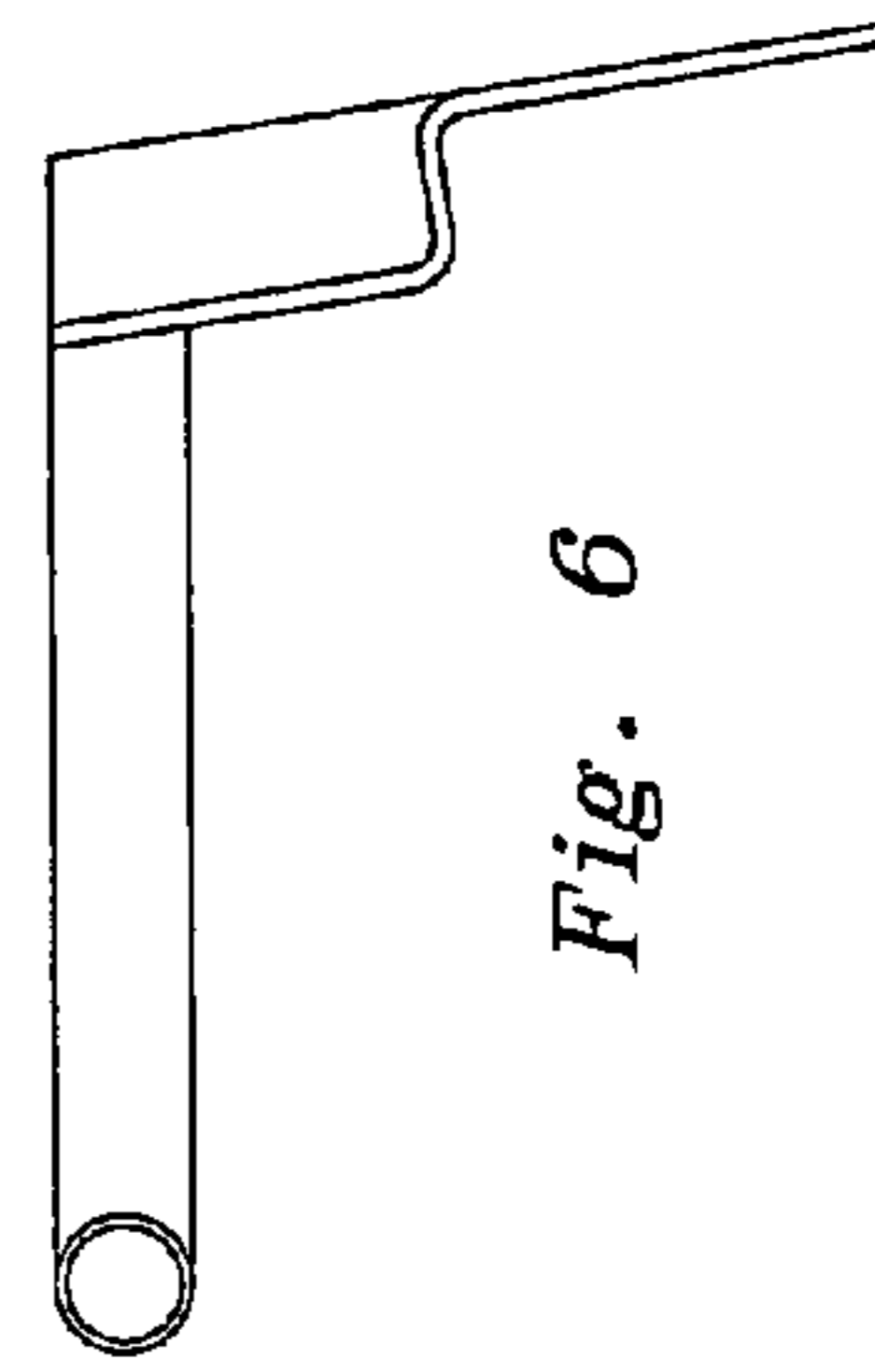


Fig. 6