



US00D554038S

(12) **United States Design Patent**
Lang et al.

(10) **Patent No.:** **US D554,038 S**

(45) **Date of Patent:** **** Oct. 30, 2007**

(54) **VEHICLE MIRROR MOUNT DESIGN**

(75) Inventors: **Heinrich Lang**, Ergersheim (DE);
Markus Meier, Markt Nordheim (DE);
Jurgen Pfanz, Schillingfurst (DE)

(73) Assignee: **Lang Mekra North America, LLC**,
Ridgeway, SC (US)

(**) Term: **14 Years**

(21) Appl. No.: **29/238,859**

(22) Filed: **Sep. 22, 2005**

(30) **Foreign Application Priority Data**

Sep. 22, 2004 (DE) 20 2004 014 776

(51) **LOC (8) Cl.** **12-06**

(52) **U.S. Cl.** **D12/223**

(58) **Field of Classification Search** D8/349,
D8/354, 382; D12/187, 188, 189, 223
See application file for complete search history.

(56) **References Cited**

U.S. PATENT DOCUMENTS

D283,209 S * 4/1986 Rodriguez D12/407

D355,843 S *	2/1995	Kuwata	D8/382
D356,025 S *	3/1995	Kuwata	D8/382
D413,253 S *	8/1999	Kalat	D8/382
D431,216 S *	9/2000	Belinky	D12/162
D445,382 S *	7/2001	Lindenman et al.	D12/162
D445,738 S *	7/2001	Lindenman et al.	D12/162
D452,671 S *	1/2002	Lang	D12/187
D460,393 S *	7/2002	Kidd	D12/188

* cited by examiner

Primary Examiner—Holly H. Baynham

Assistant Examiner—Sheryl Friedman

(74) *Attorney, Agent, or Firm*—McNair Law Firm, P.A.;
Cort Flint

(57) **CLAIM**

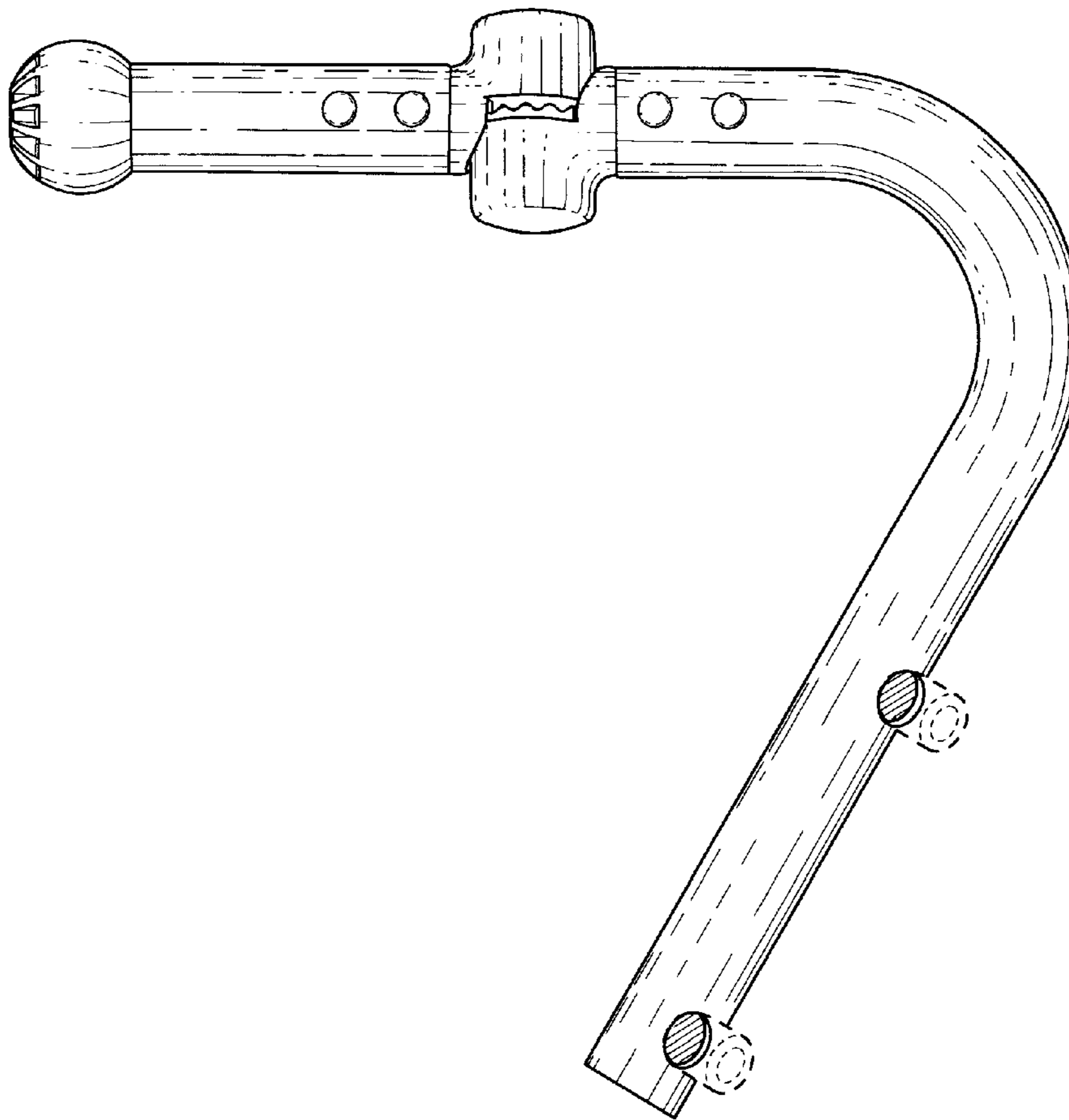
The ornamental design for a vehicle mirror mount design, as shown and described.

DESCRIPTION

FIG. 1 is a side elevation illustrating our new vehicle mirror mount arm design; and,

FIG. 2 is a perspective view of our new design with arms of the mount rotated relative to each other.

1 Claim, 2 Drawing Sheets



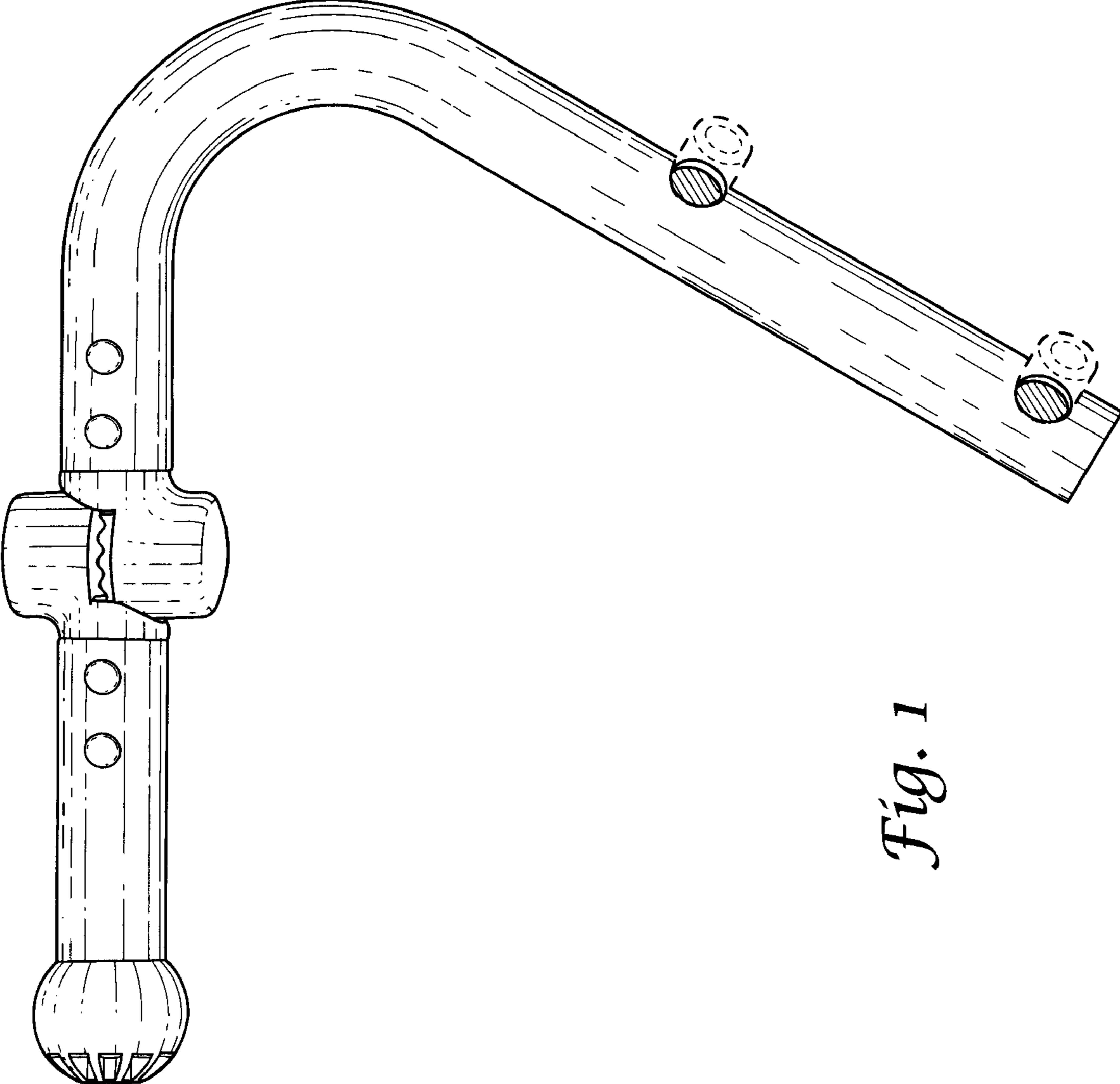


Fig. 1

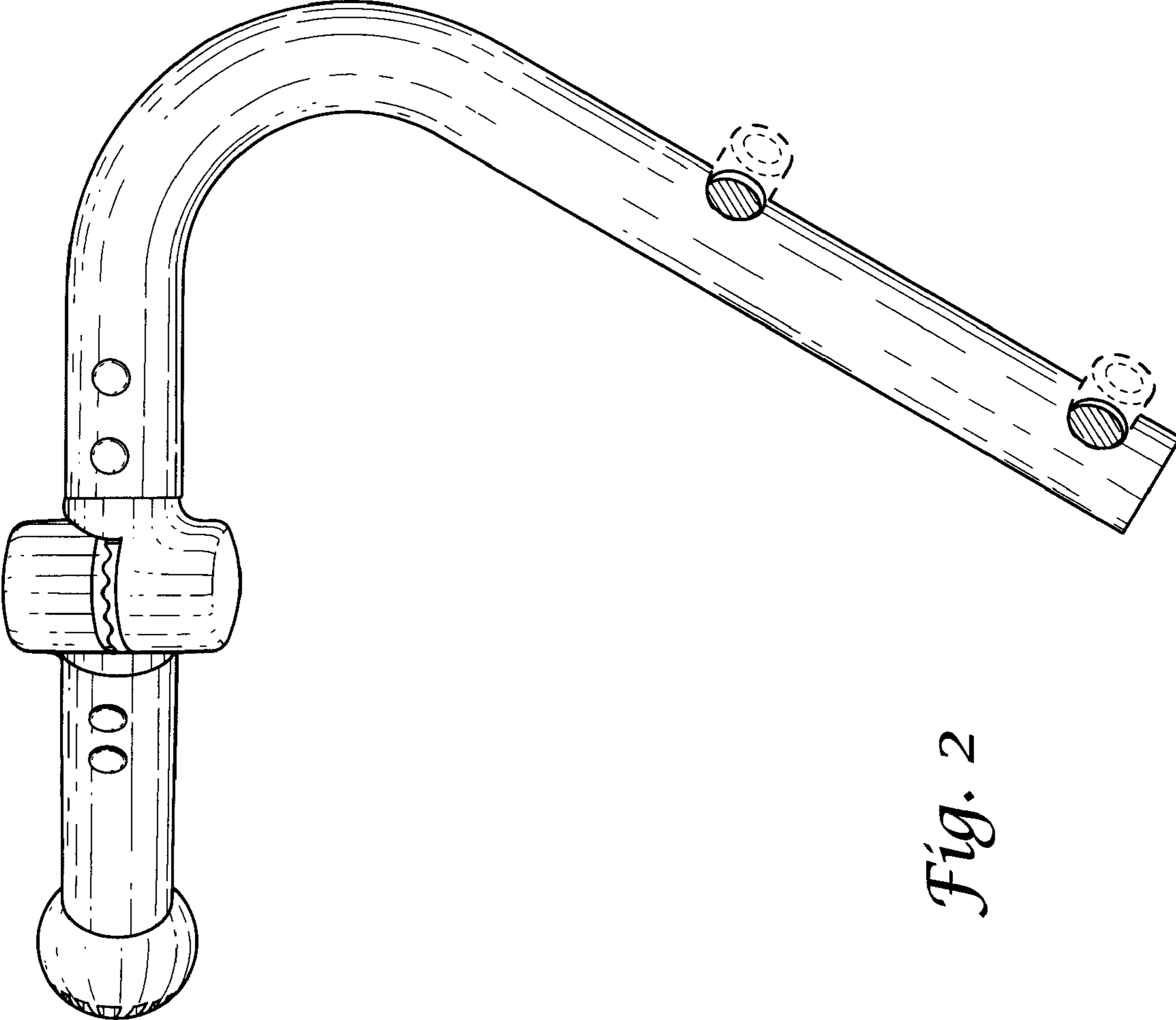


Fig. 2