



US00D554034S

(12) **United States Design Patent**  
**Madden**

(10) **Patent No.:** **US D554,034 S**

(45) **Date of Patent:** **\*\* Oct. 30, 2007**

(54) **WHEEL**

(75) Inventor: **William J. Madden**, Lake Arrowhead,  
CA (US)

(73) Assignee: **Carroll Shelby Wheel Company, Inc.**,  
Springfield, MO (US)

(\*\*) Term: **14 Years**

(21) Appl. No.: **29/271,214**

(22) Filed: **Jan. 11, 2007**

(51) **LOC (8) Cl.** ..... **12-16**

(52) **U.S. Cl.** ..... **D12/209**

(58) **Field of Classification Search** ..... D12/204-213;  
301/37.101, 64.101, 65  
See application file for complete search history.

(56) **References Cited**

**U.S. PATENT DOCUMENTS**

D204,669 S *	5/1966	Goodwin	.....	D12/209
D402,252 S *	12/1998	Kulla	.....	D12/211
D431,807 S *	10/2000	Fitzgerald	.....	D12/211
D460,937 S *	7/2002	Nakazawa et al.	.....	D12/209
D481,347 S *	10/2003	Kang	.....	D12/211

D500,470 S *	1/2005	Rice	.....	D12/211
D503,371 S *	3/2005	Boyer	.....	D12/211
D507,221 S *	7/2005	Stopka	.....	D12/209
D508,671 S *	8/2005	Baum	.....	D12/209
D521,435 S *	5/2006	Fitzgerald	.....	D12/209
D525,577 S *	7/2006	Laengerer	.....	D12/211
D538,215 S *	3/2007	Laengerer et al.	.....	D12/209

\* cited by examiner

*Primary Examiner*—Stacia Cadmus

(74) *Attorney, Agent, or Firm*—Donn K. Harms

(57) **CLAIM**

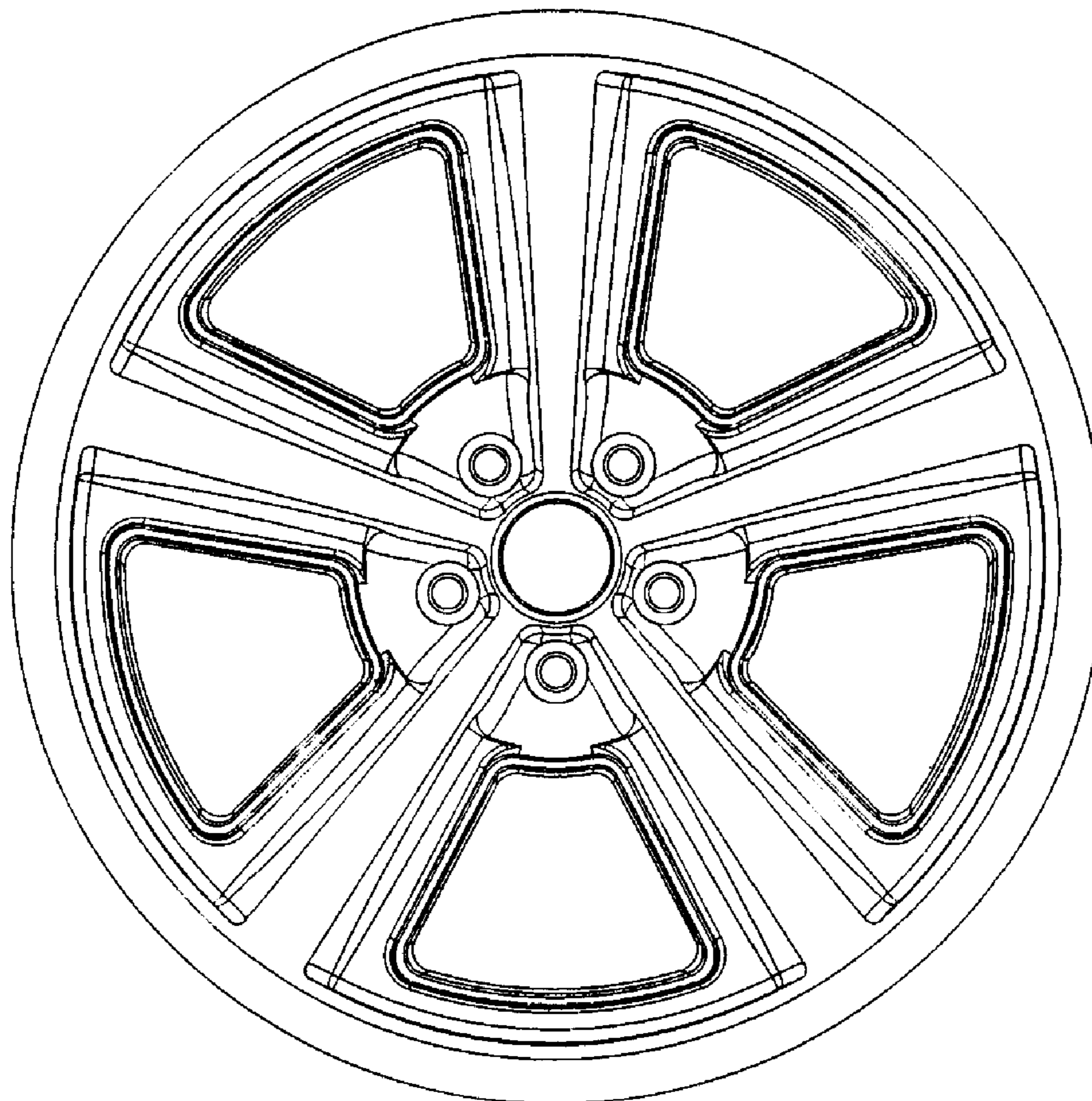
The ornamental design for a wheel, as shown and described.

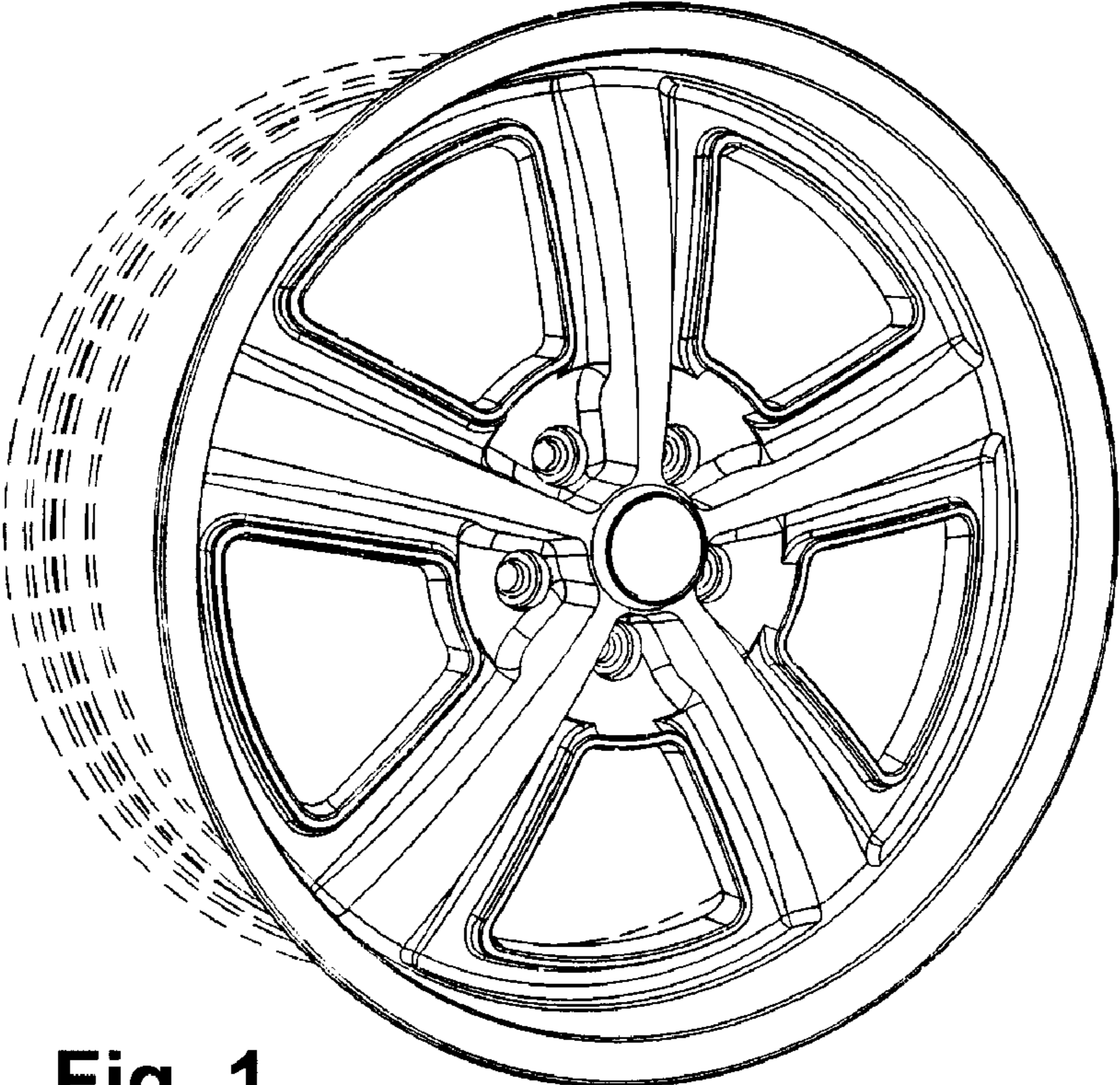
**DESCRIPTION**

FIG. 1 is a front perspective view of the wheel; and,

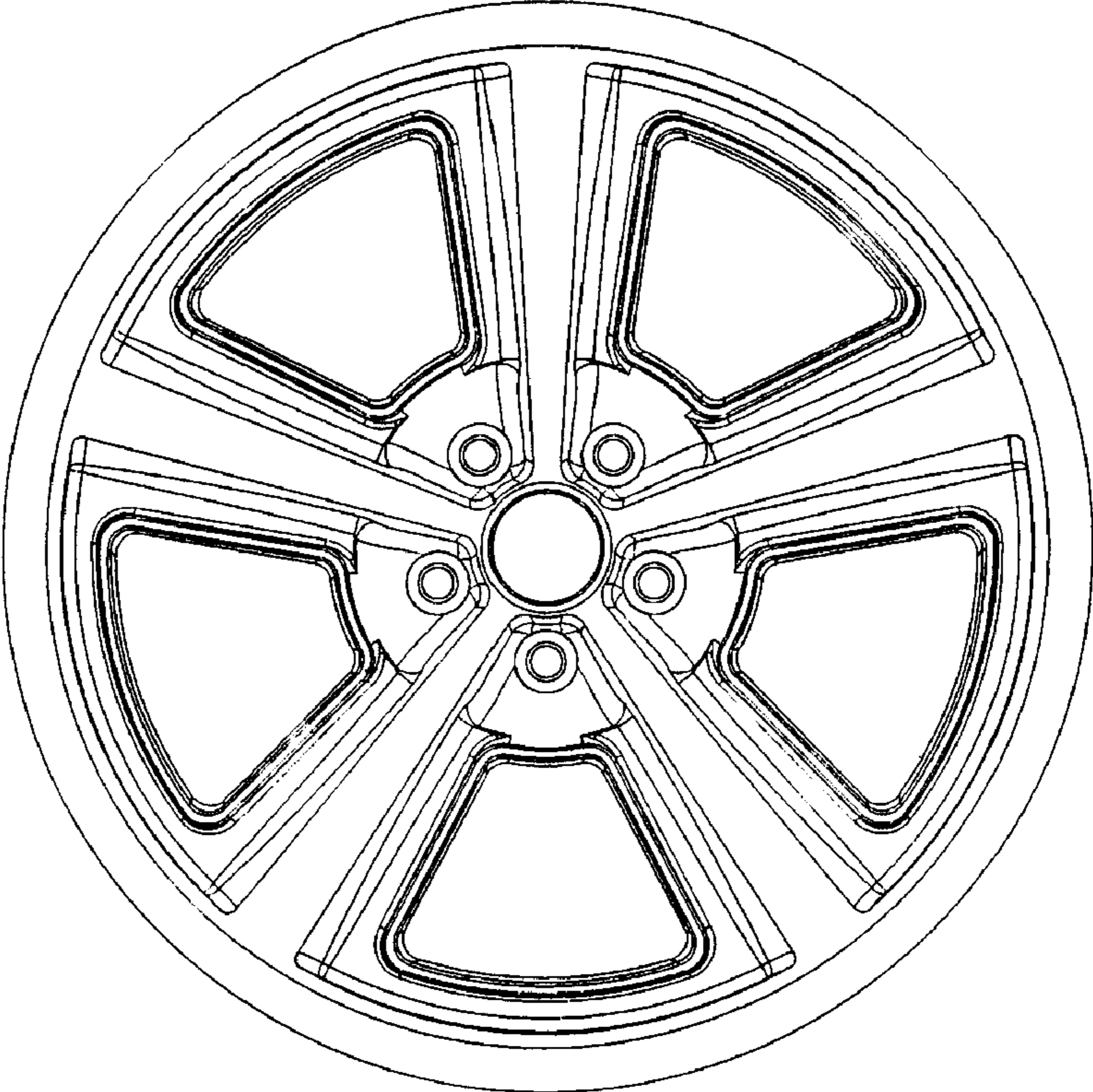
FIG. 2 is a front plan view of the wheel, it being understood that the ornamental design of FIGS. 1 and 2 are not expressed in top, bottom and side views and thus they are omitted, the circumferentially outwardly disposed areas of the inside of the rim is shown for illustrative purposes only and forming no part of the claimed design.

**1 Claim, 1 Drawing Sheet**





**Fig. 1**



**Fig. 2**