



US00D554024S

(12) **United States Design Patent** (10) **Patent No.:** **US D554,024 S**  
**Lane** (45) **Date of Patent:** **\*\* Oct. 30, 2007**

(54) **MOBILE LOCKER SYSTEM**

2004/0256872 A1 12/2004 Piper et al.  
2005/0275234 A1 12/2005 Ottenthal et al.

(75) Inventor: **Carl W. Lane**, Valparaiso, IN (US)

**FOREIGN PATENT DOCUMENTS**

(73) Assignee: **Stow-N-Go, Inc.**, Merrillville, IN (US)

DE	20 2004 005 067	U1	9/2004
DE	20 2005 000 282	U1	6/2005
EP	1 082 514	B1	3/2001
FR	2 828 874		2/2003
WO	WO 2005/075779	A1	8/2005

(\*\*) Term: **14 Years**

(21) Appl. No.: **29/248,767**

\* cited by examiner

(22) Filed: **Aug. 31, 2006**

(51) **LOC (8) Cl.** ..... **12-10**

(52) **U.S. Cl.** ..... **D12/102**

(58) **Field of Classification Search** ..... D12/101-102,  
D12/105-106, 93, 400; 296/181.1, 185.1,  
296/168; 280/656, 763.1; D34/12; D15/27;  
414/462

*Primary Examiner*—Mimosa De

*Assistant Examiner*—Abraham Bahta

(74) *Attorney, Agent, or Firm*—Brinks Hofer Gilson & Lione

See application file for complete search history.

(57) **CLAIM**

We claim the ornamental design for a mobile locker system, as shown and described.

(56) **References Cited**

**U.S. PATENT DOCUMENTS**

1,355,408	A	10/1920	Moody	
1,473,850	A	11/1923	Greene	
2,158,217	A	5/1939	Brisbane	
D163,351	S *	5/1951	Batholomew	D12/102
D181,849	S *	1/1958	Gowl	D12/102
D194,662	S *	2/1963	Zalewski	D12/102
3,089,313	A	5/1963	Fix	
D218,416	S *	8/1970	Birchard et al.	D12/196
D249,666	S *	9/1978	Thompson	D12/97
4,377,367	A	3/1983	Smith	
D270,822	S *	10/1983	Triggs	D12/102
D273,374	S *	4/1984	Dew	D12/102
4,749,221	A	6/1988	Scott	
4,892,345	A	1/1990	Rachael, III	
D340,887	S *	11/1993	Kropf	D12/105
D344,473	S *	2/1994	Romesburg	D12/97
5,383,703	A	1/1995	Irvine, III	
D383,093	S *	9/1997	Garzancich et al.	D12/102
D408,334	S *	4/1999	Fortunato	D12/102
D464,593	S *	10/2002	Register	D12/102
D483,697	S *	12/2003	Hicks	D12/102

**DESCRIPTION**

FIG. 1 is perspective view of a mobile locker system showing the present invention.

FIG. 2 is an elevation view of a first side of the mobile locker system showing the present invention.

FIG. 3 is an elevation view of the side opposite from that shown in FIG. 2.

FIG. 4 is a plan view from the top of FIG. 2.

FIG. 5 is a cut-away side elevation view along the line 5—5 of FIG. 4.

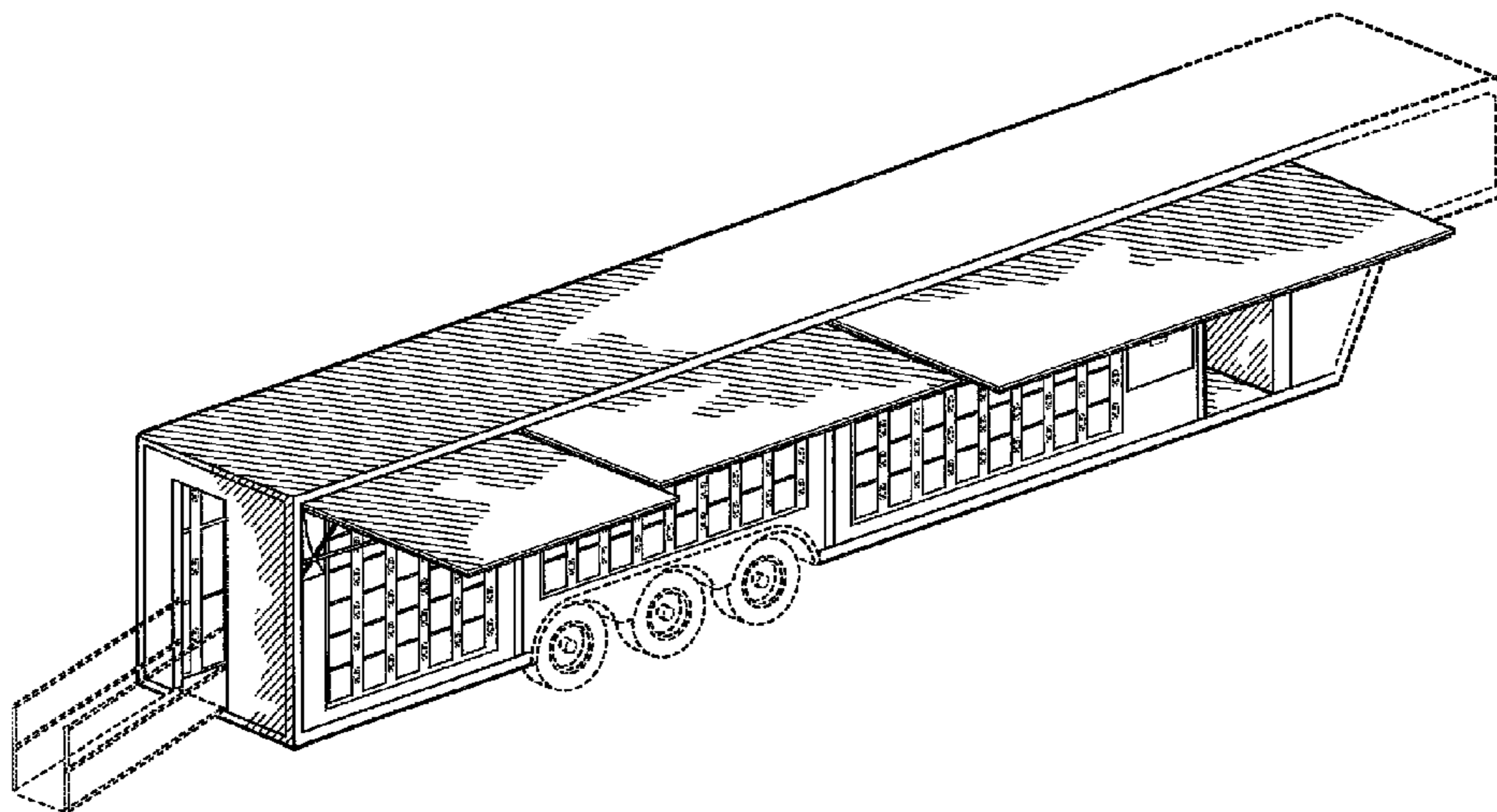
FIG. 6 is a plan view from the bottom of FIG. 2.

FIG. 7 is a cut-away side elevation view along the line 7—7 of FIG. 6.

FIG. 8 is an elevation view from the right side of FIG. 2; and,

FIG. 9 is an elevation view from the left side of FIG. 2.

**1 Claim, 5 Drawing Sheets**



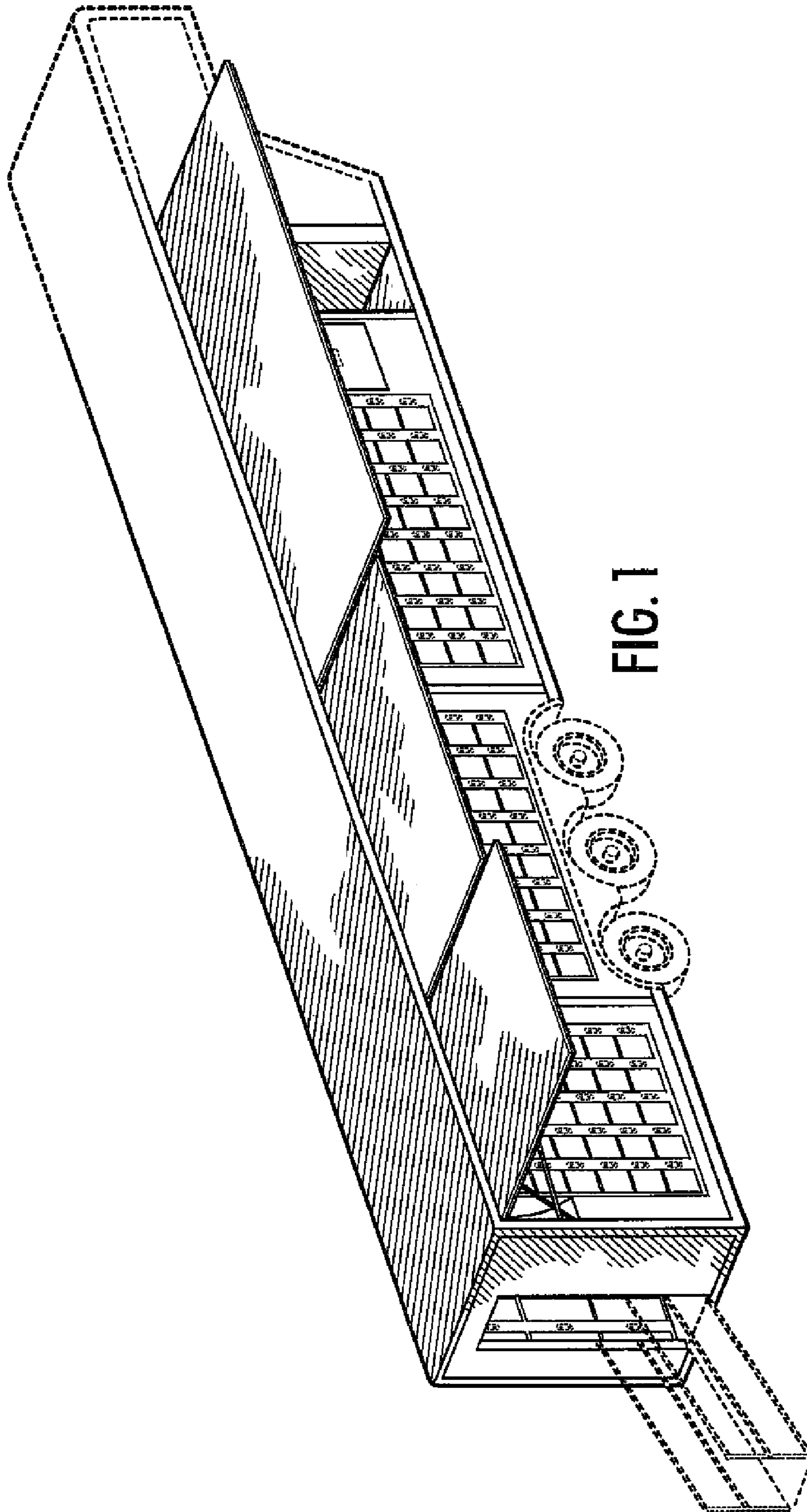


FIG. 1

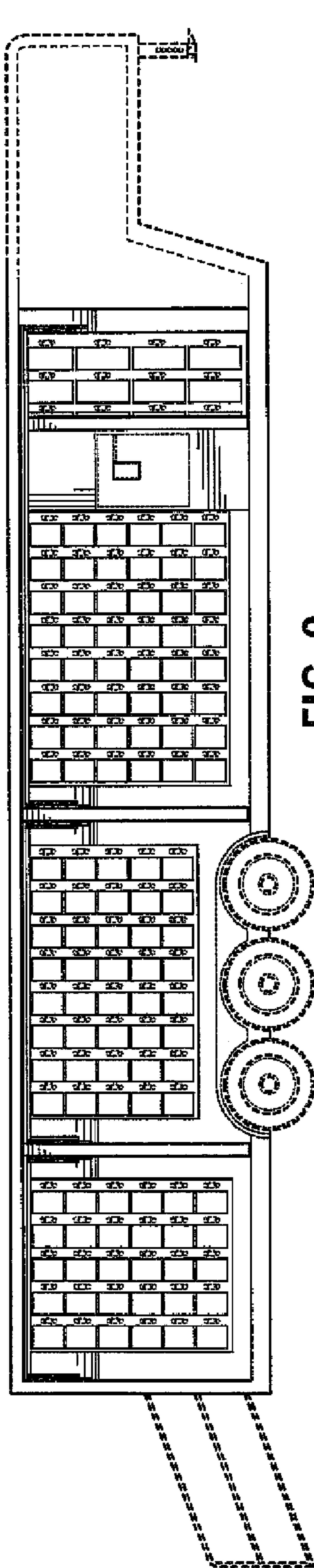


FIG. 2

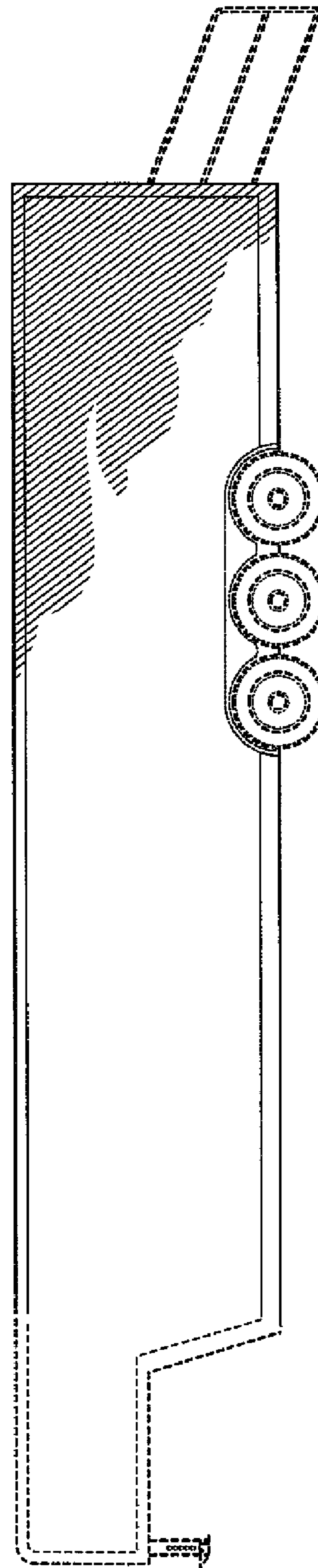


FIG. 3

FIG. 4

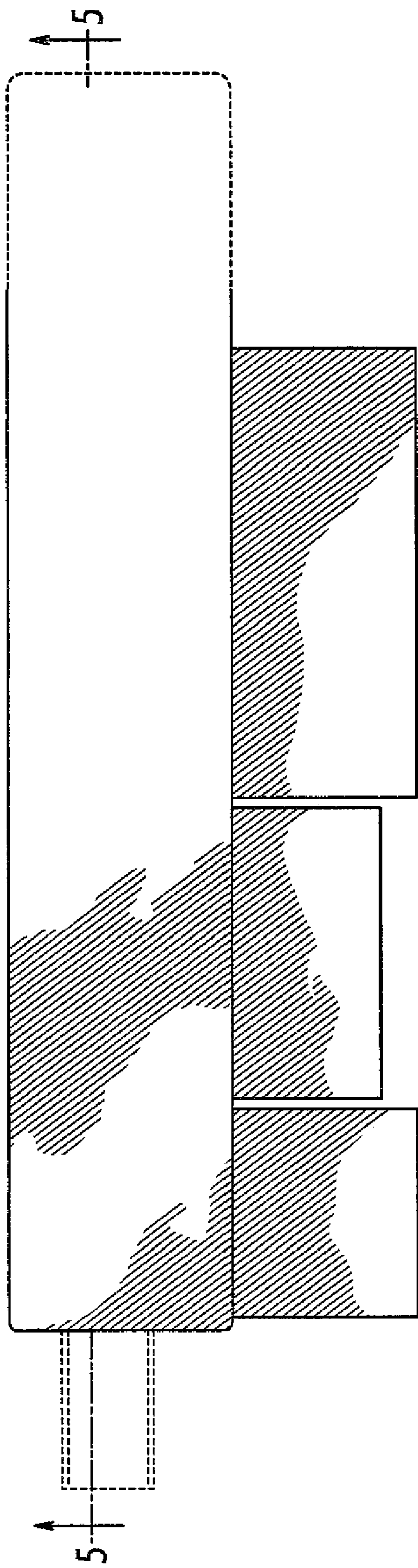
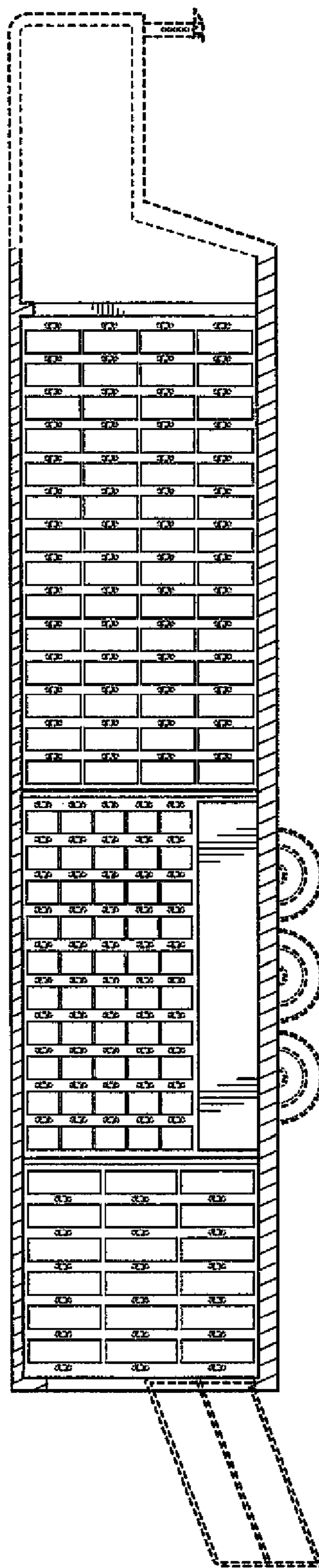


FIG. 5



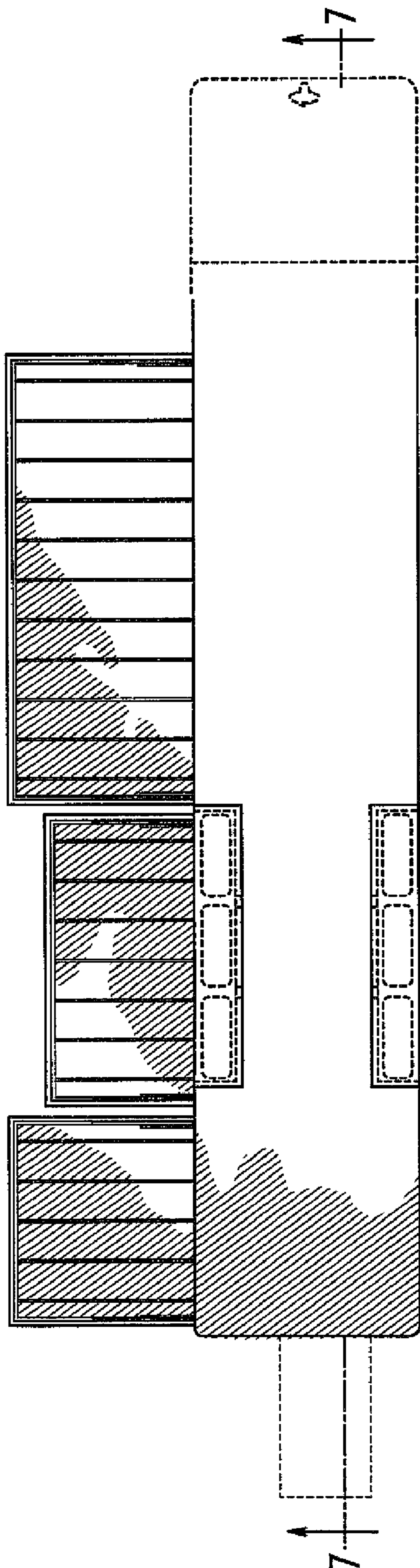


FIG. 6

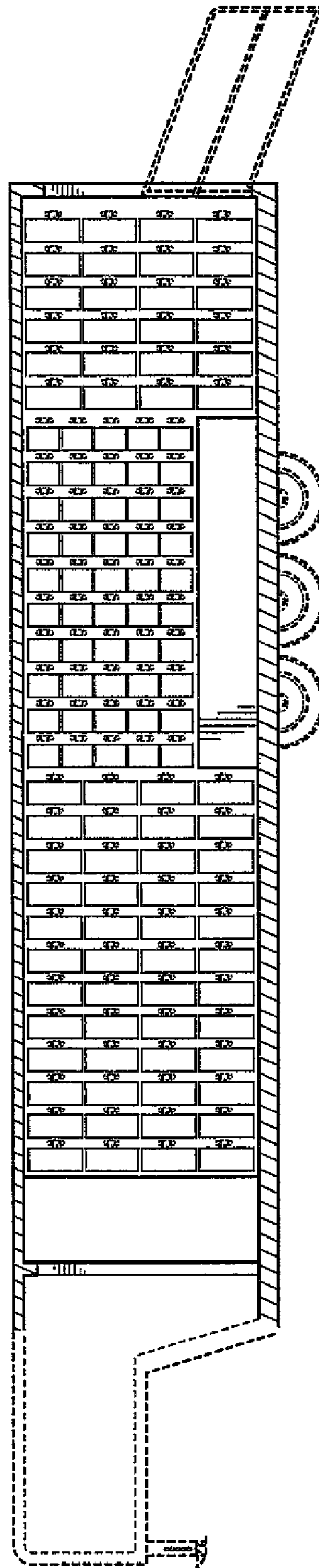


FIG. 7

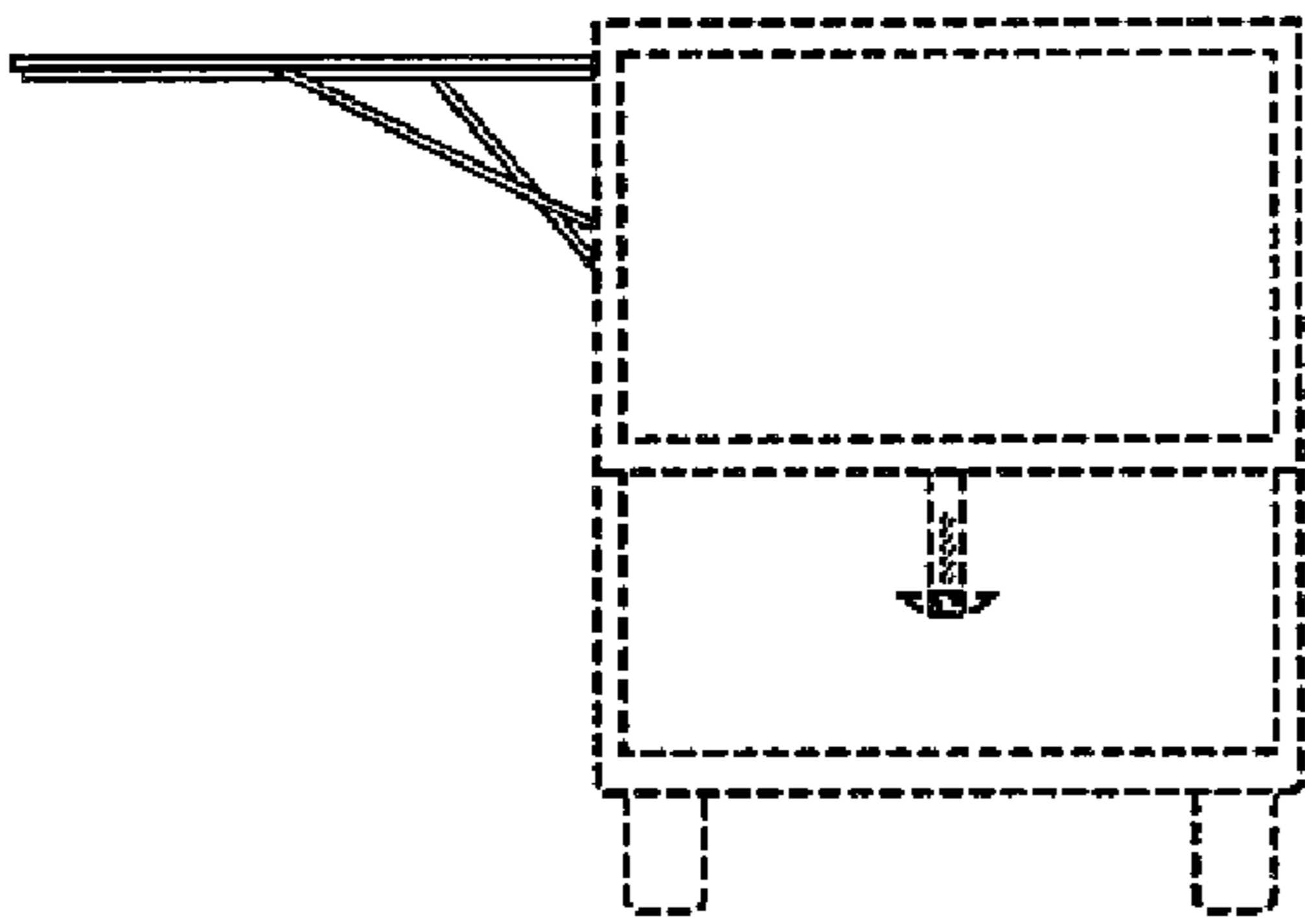


FIG. 8

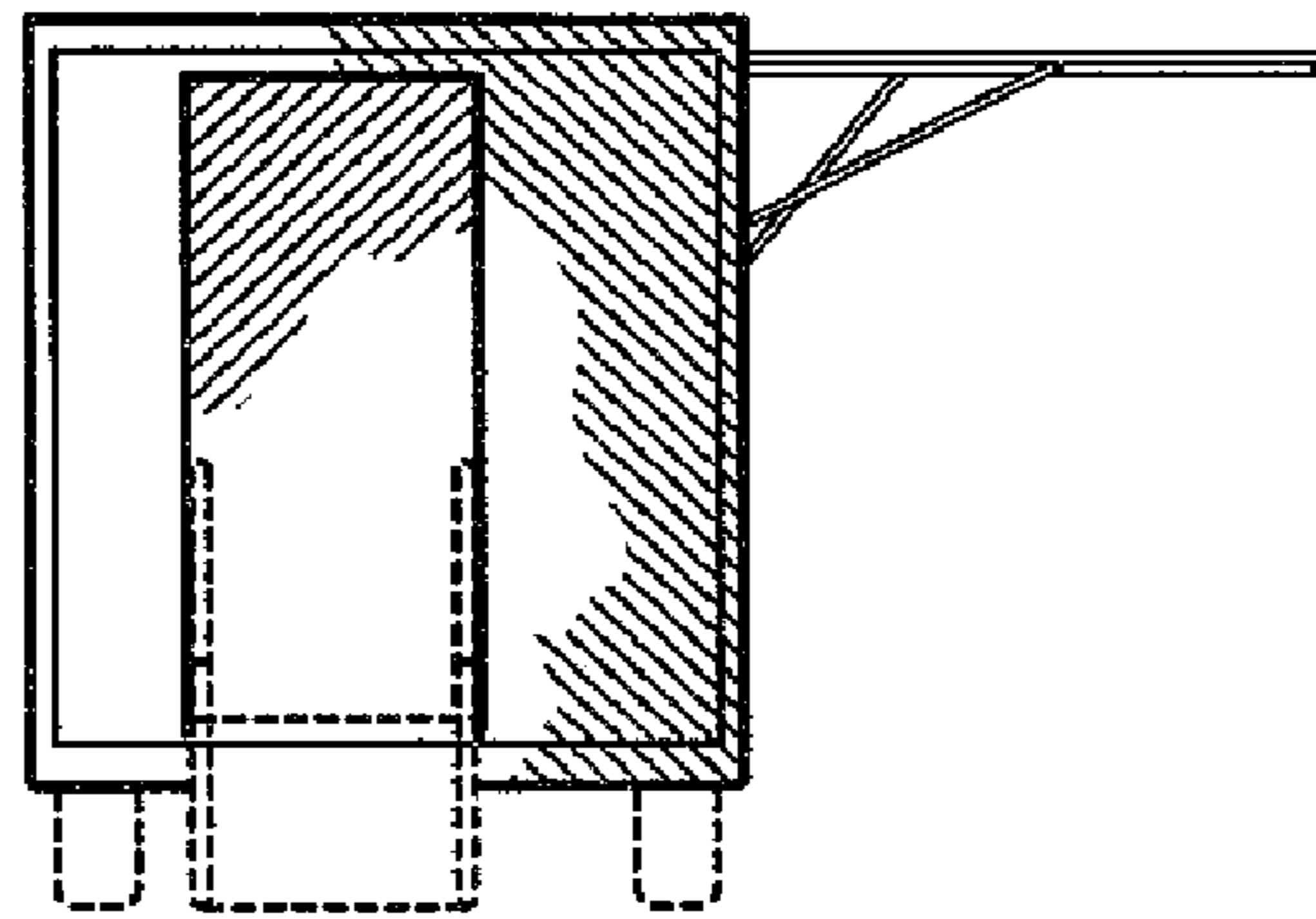


FIG. 9