



US00D554018S

(12) **United States Design Patent**
Laucella et al.

(10) **Patent No.:** **US D554,018 S**

(45) **Date of Patent:** **** Oct. 30, 2007**

(54) **WATCH CROWN**

(75) Inventors: **Vincent Laucella**, Le Brassus (CH);
Christian Lattmann, Neuchâtel (CH)

(73) Assignee: **The Swatch Group Management Services AG (The Swatch Group Management Services SA) (The Swatch Group Management Services Ltd.)**, Biel/Bienne (CH)

(**) Term: **14 Years**

(21) Appl. No.: **29/275,005**

(22) Filed: **Dec. 8, 2006**

(30) **Foreign Application Priority Data**

Jun. 9, 2006 (WO) DM/067 894

(51) **LOC (8) Cl.** **10-07**

(52) **U.S. Cl.** **D10/131**

(58) **Field of Classification Search** D10/131,
D10/30-39; 368/306, 288, 302, 308, 319,
368/301, 276, 285, 281-283

See application file for complete search history.

(56) **References Cited**

U.S. PATENT DOCUMENTS

D10,411 S * 1/1878 Robert D10/37
778,775 A * 12/1904 Colby 368/308
840,096 A * 1/1907 Stenhouse 368/306
893,262 A * 7/1908 Porter 368/301
D41,781 S * 9/1911 Tworski D10/131
D41,782 S * 9/1911 Johnson D10/131
D50,945 S * 6/1917 Hyatt D10/37
D63,920 S * 2/1924 Starke D10/37
D64,829 S * 6/1924 Whitehead D10/37

D66,781 S * 3/1925 Johnson D10/31
D67,012 S * 4/1925 Conant D10/131
D67,121 S * 4/1925 Conant D10/131
D67,389 S * 5/1925 Whitehead D10/37
D69,984 S * 4/1926 Conant D10/131
1,660,310 A * 2/1928 Wadsworth et al. 368/288
1,851,593 A * 3/1932 Pastor 368/101
D444,077 S * 6/2001 Blondin D10/39

* cited by examiner

Primary Examiner—Lucy Lieberman

(74) *Attorney, Agent, or Firm*—Collen IP; Donald J. Ranft

(57) **CLAIM**

The ornamental design for a watch crown, as shown and described.

DESCRIPTION

FIG. 1 is a front view of our design for a watch crown;

FIG. 2 is a top view thereof;

FIG. 3 is a bottom view thereof;

FIG. 4 is a right view thereof;

FIG. 5 is a left view thereof;

FIG. 6 is a top view with grip extended thereof;

FIG. 7 is a bottom view with grip extended thereof;

FIG. 8 is a right view with grip extended thereof;

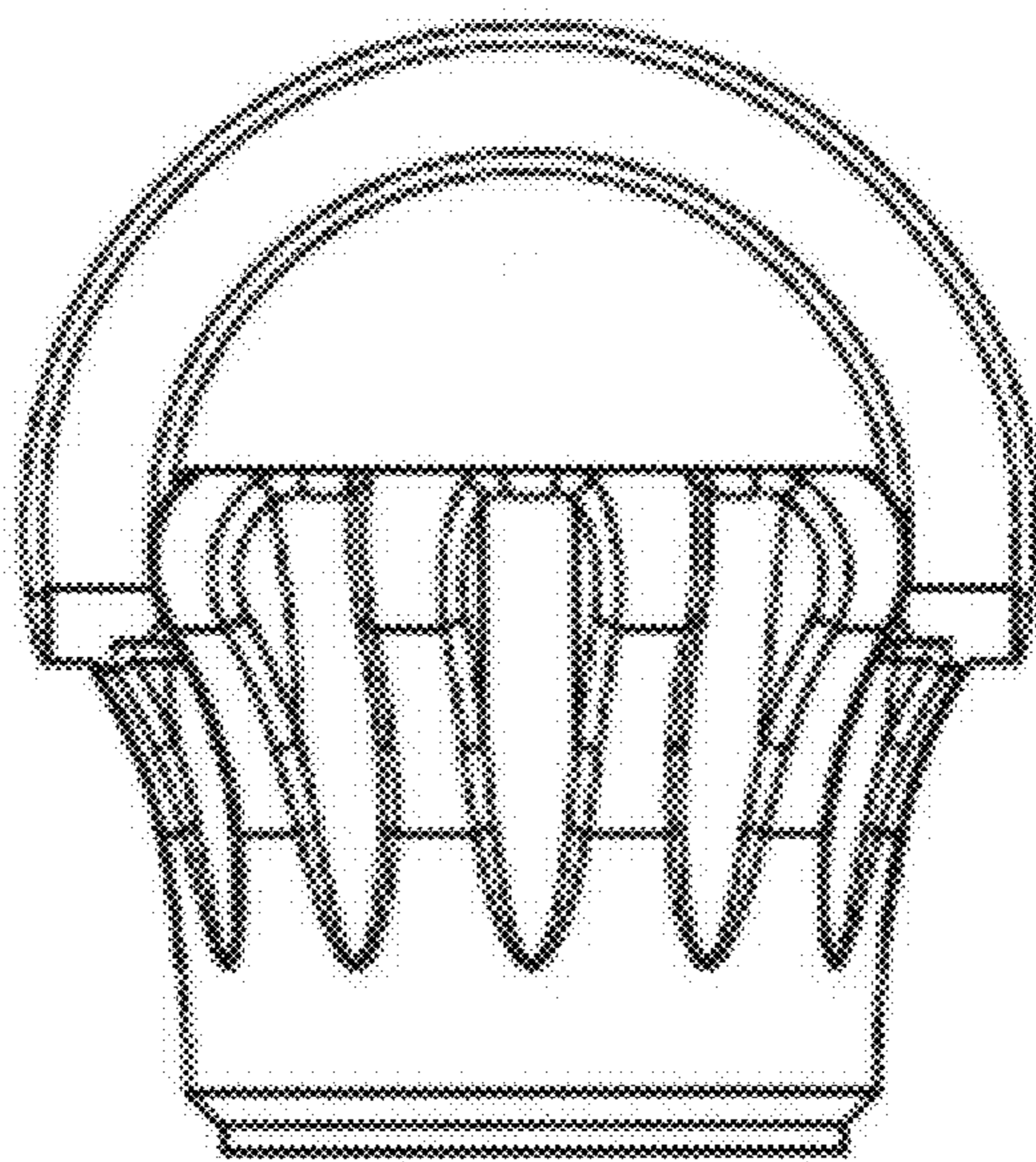
FIG. 9 is a left view with grip extended thereof;

FIG. 10 is a left side perspective view thereof;

FIG. 11 is a left side perspective view with grip extended thereof; and,

FIG. 12 is a front left side perspective view with grip extended thereof.

1 Claim, 3 Drawing Sheets



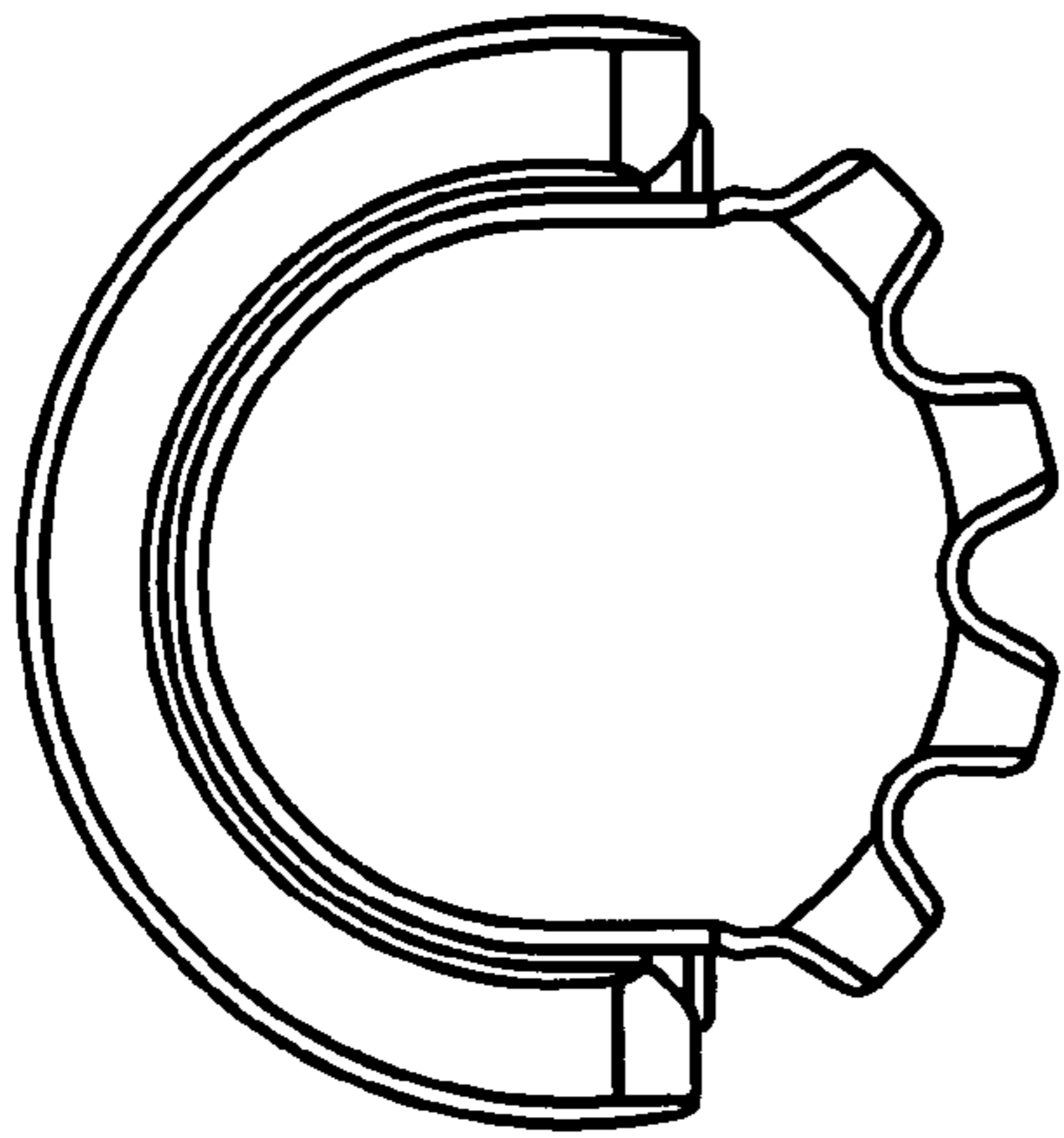


FIG. 1

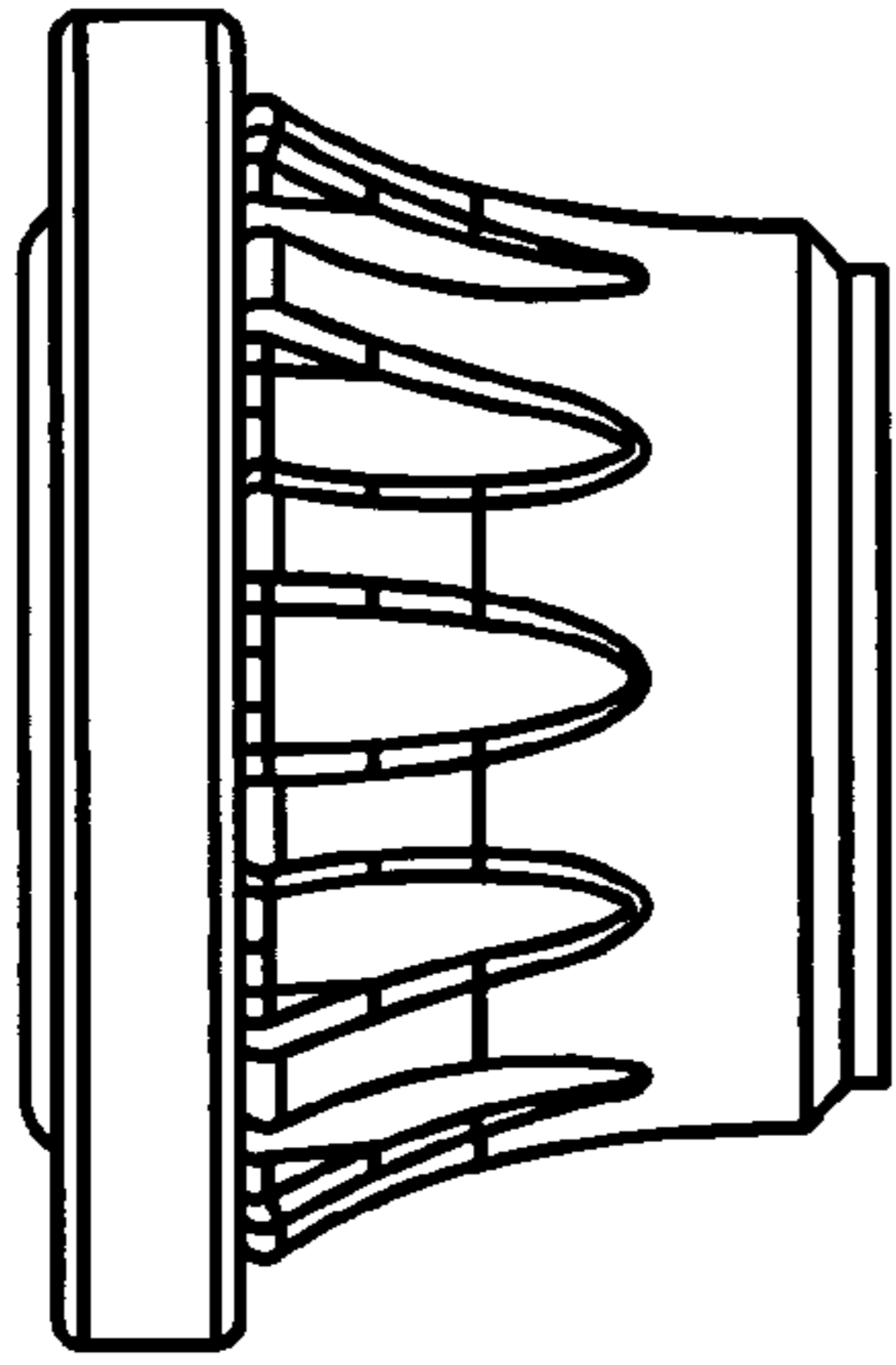


FIG. 2

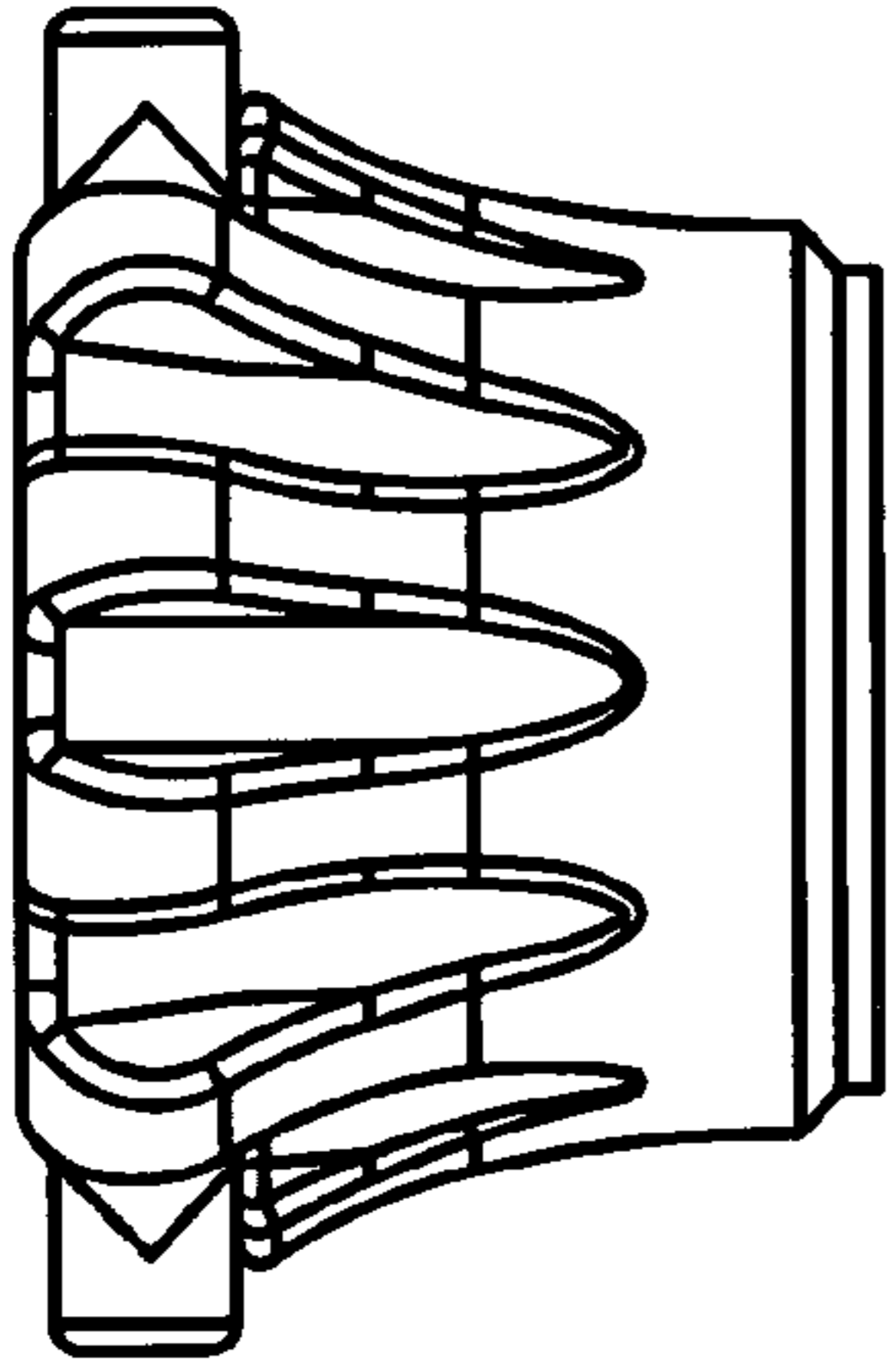


FIG. 3

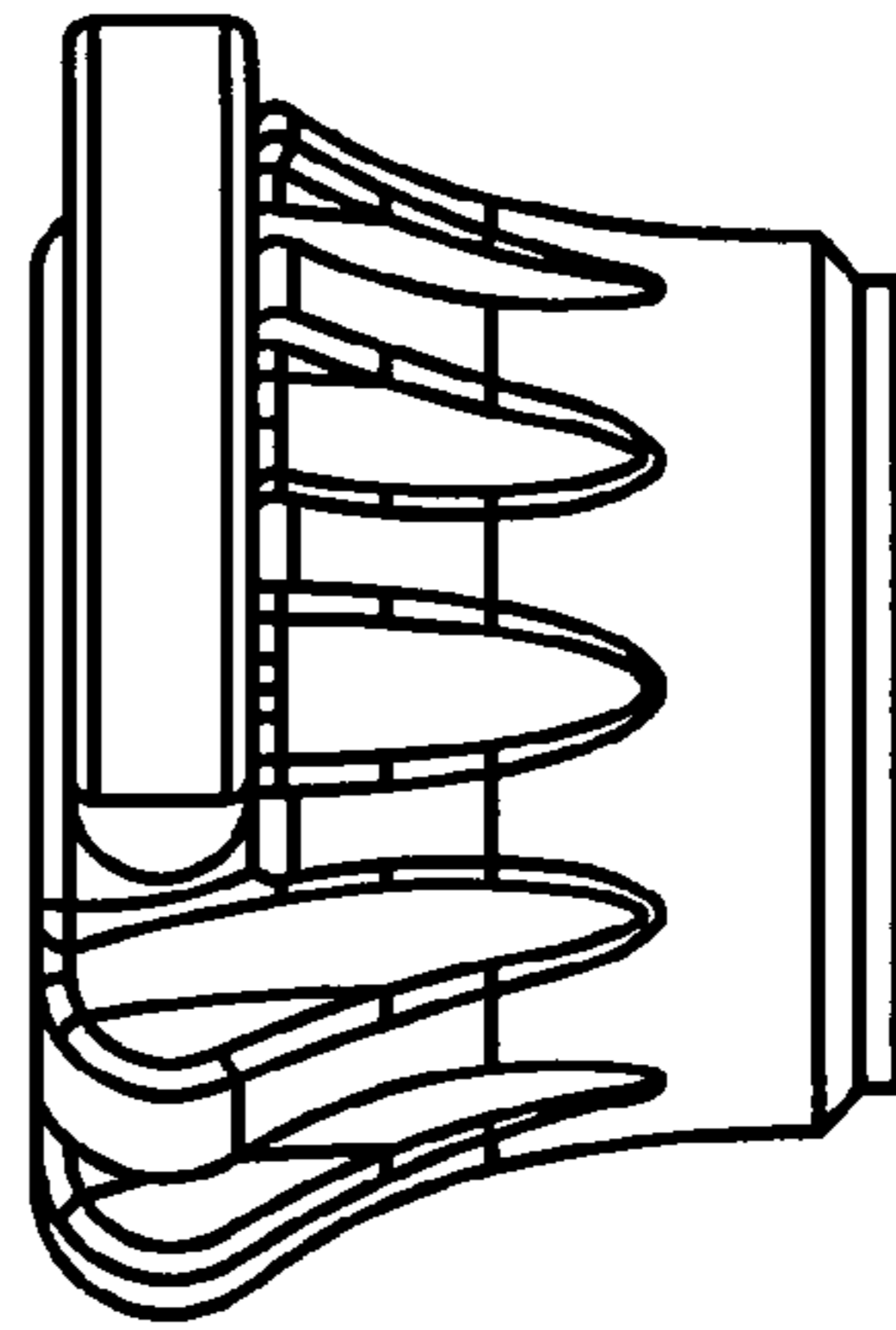


FIG. 4

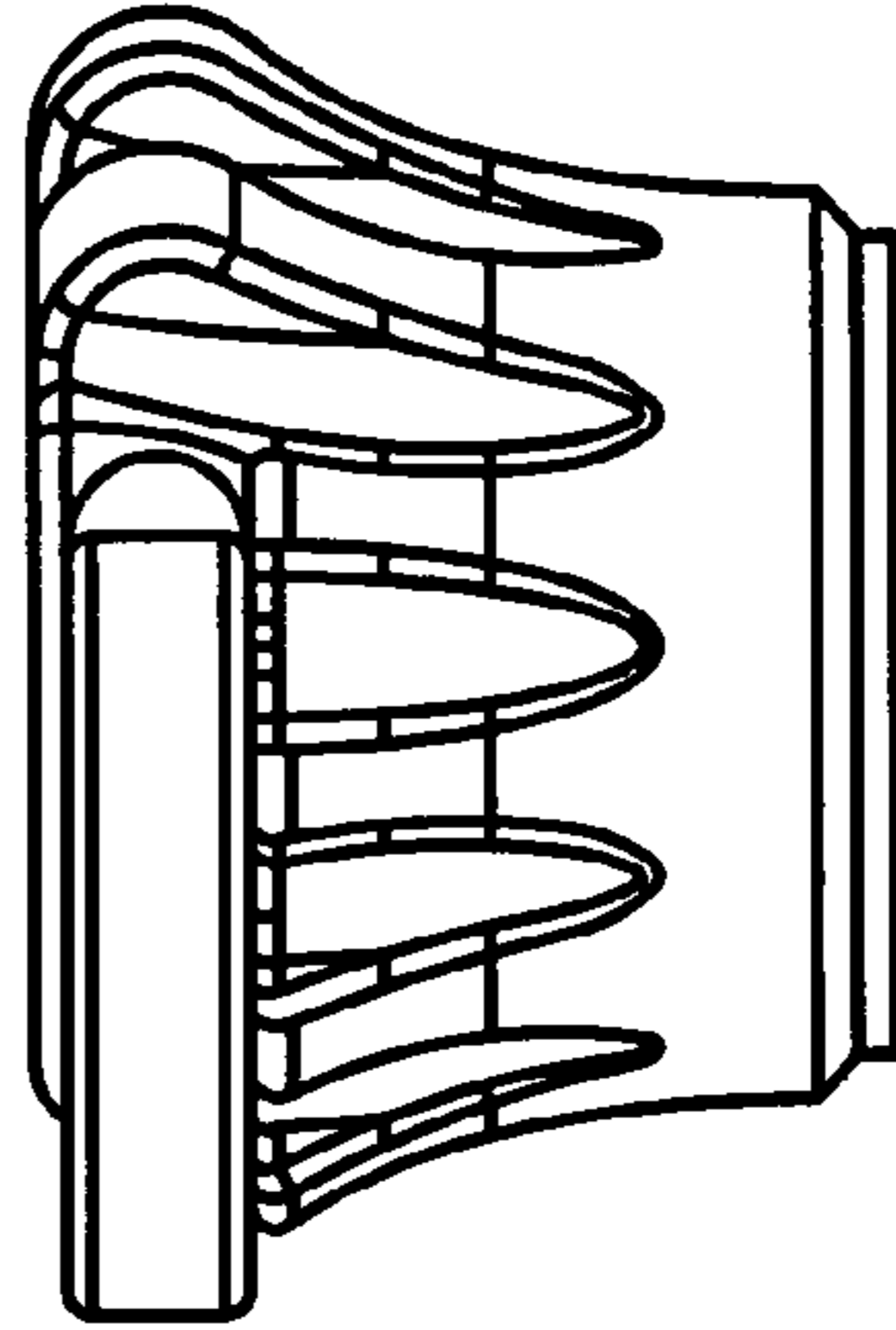


FIG. 5

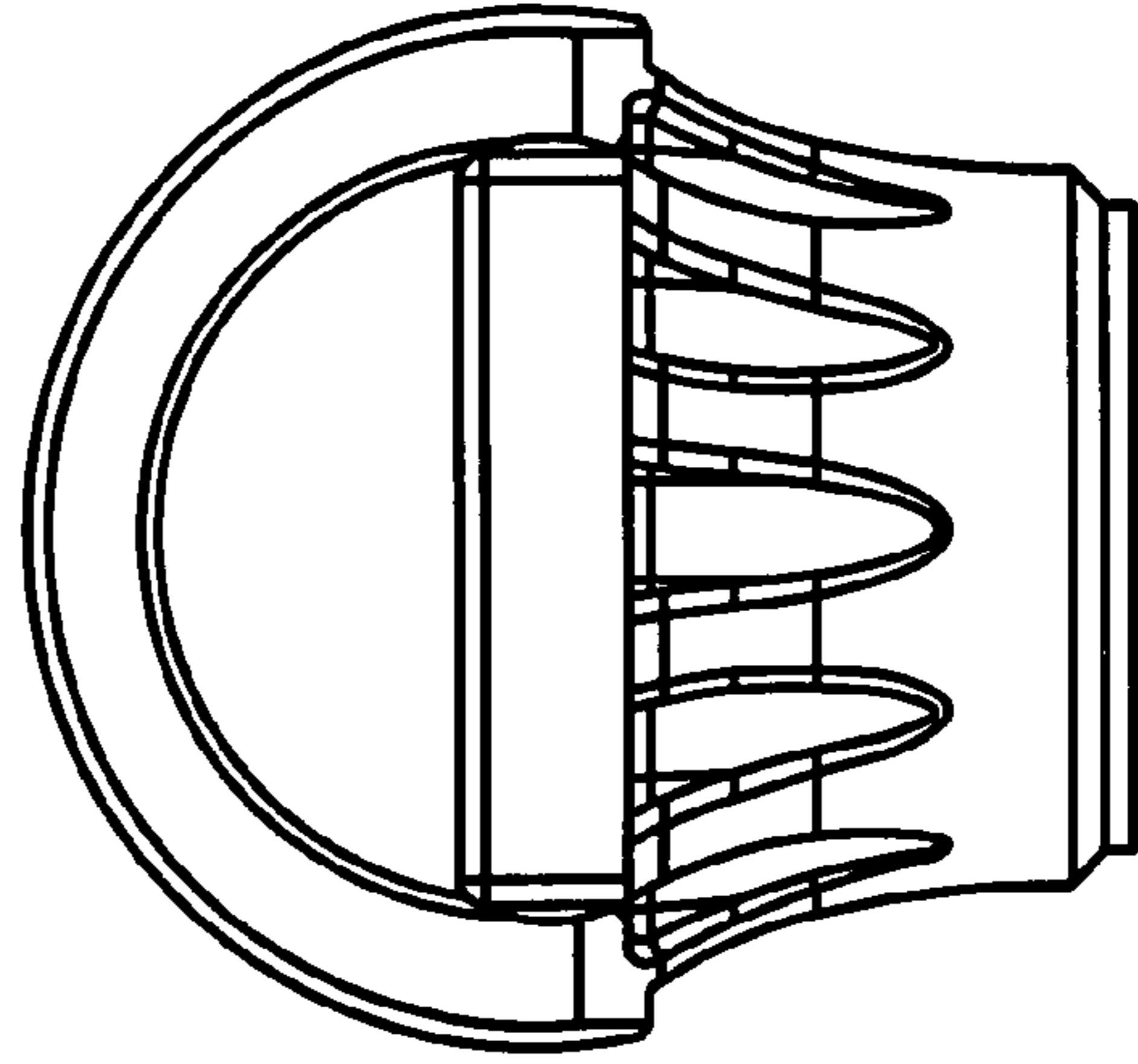


FIG. 6

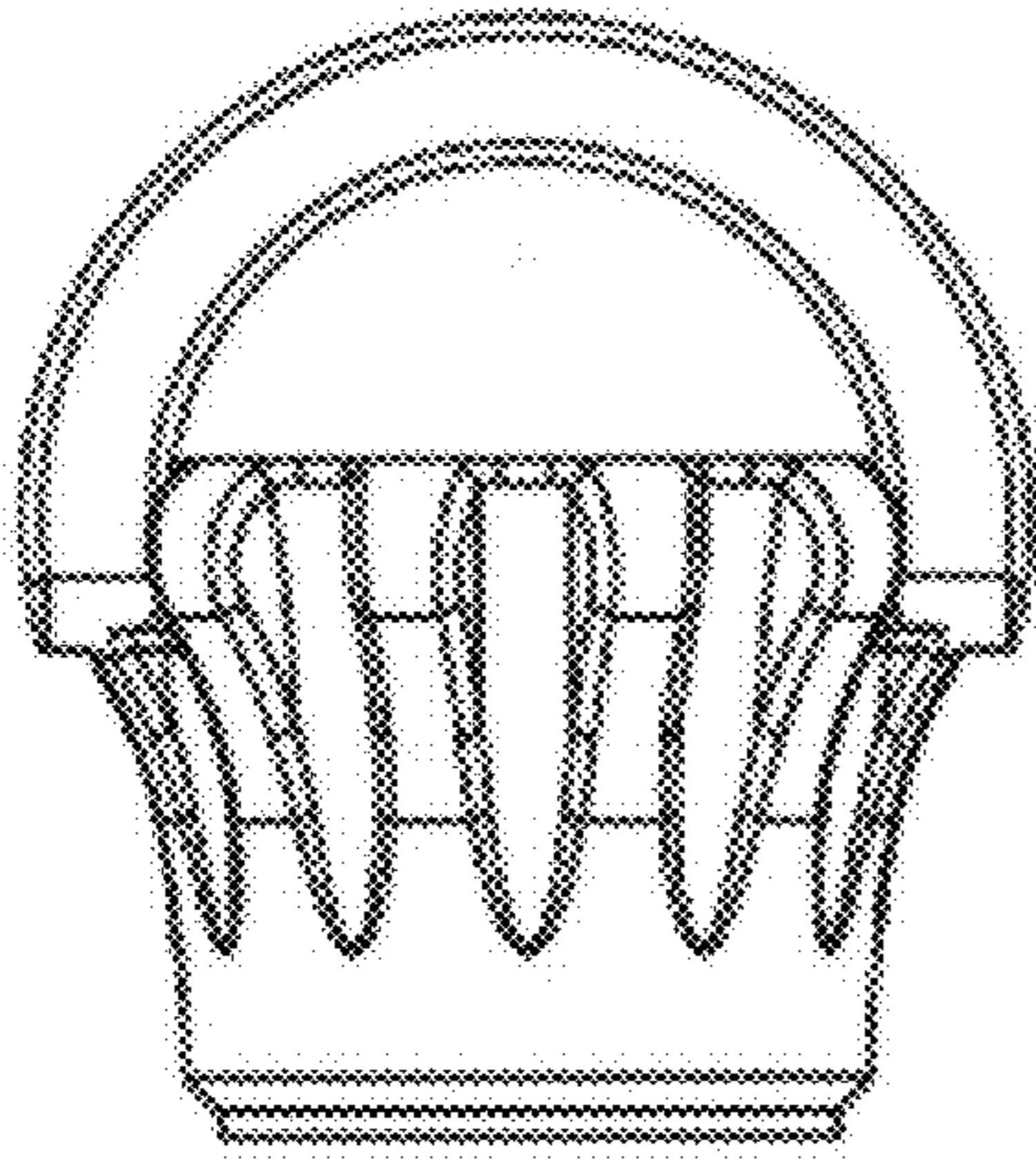


FIGURE 7

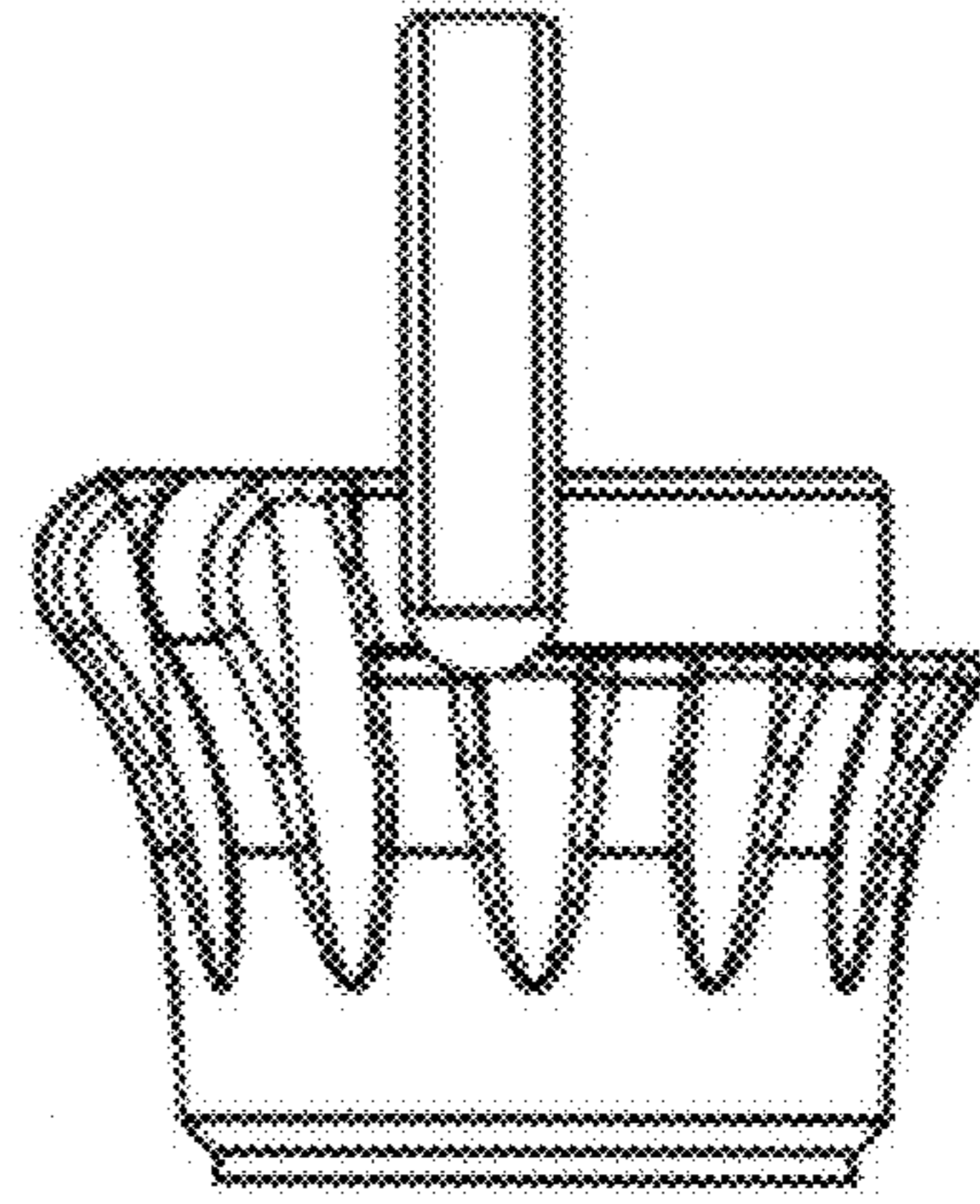


FIGURE 8

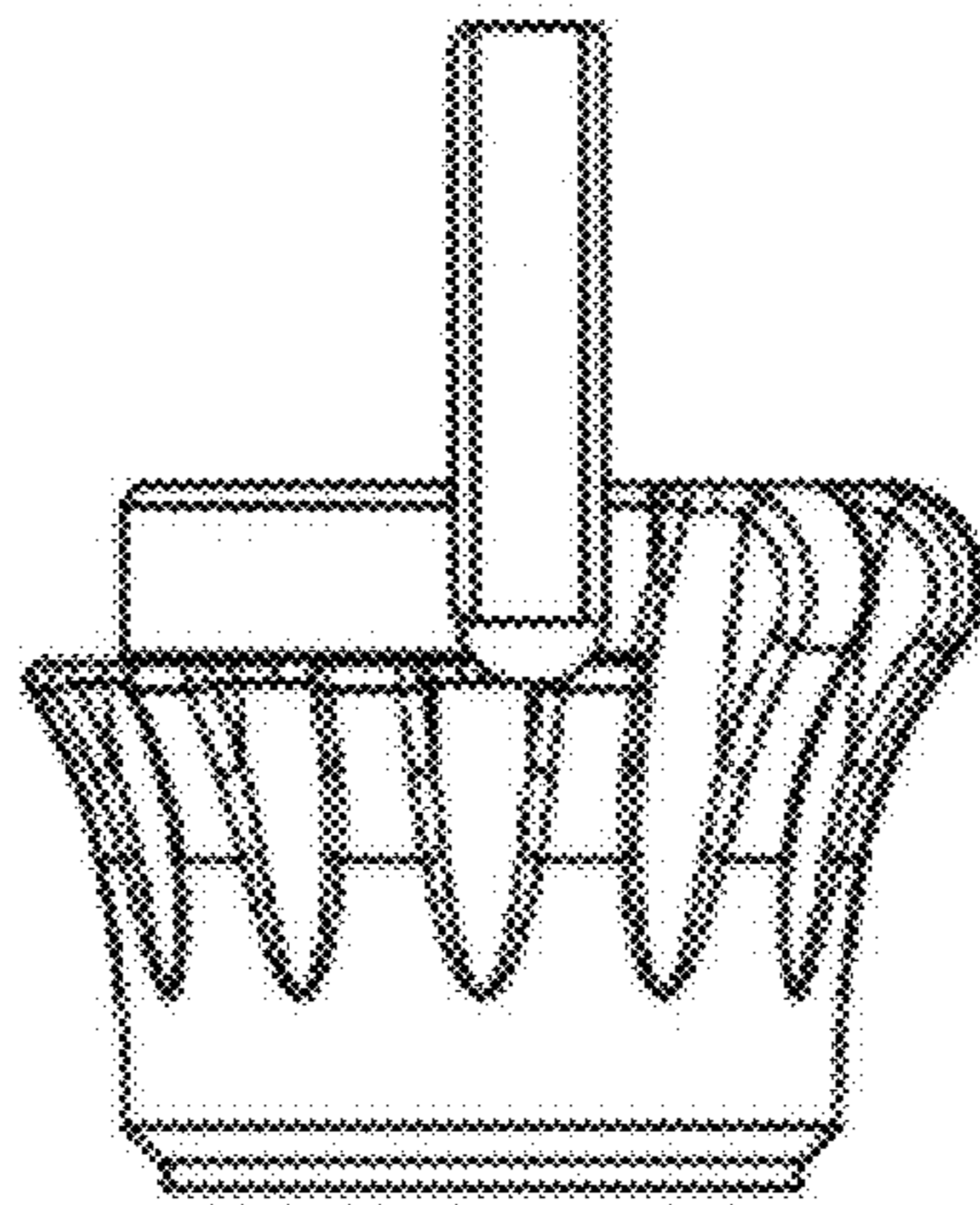


FIGURE 9

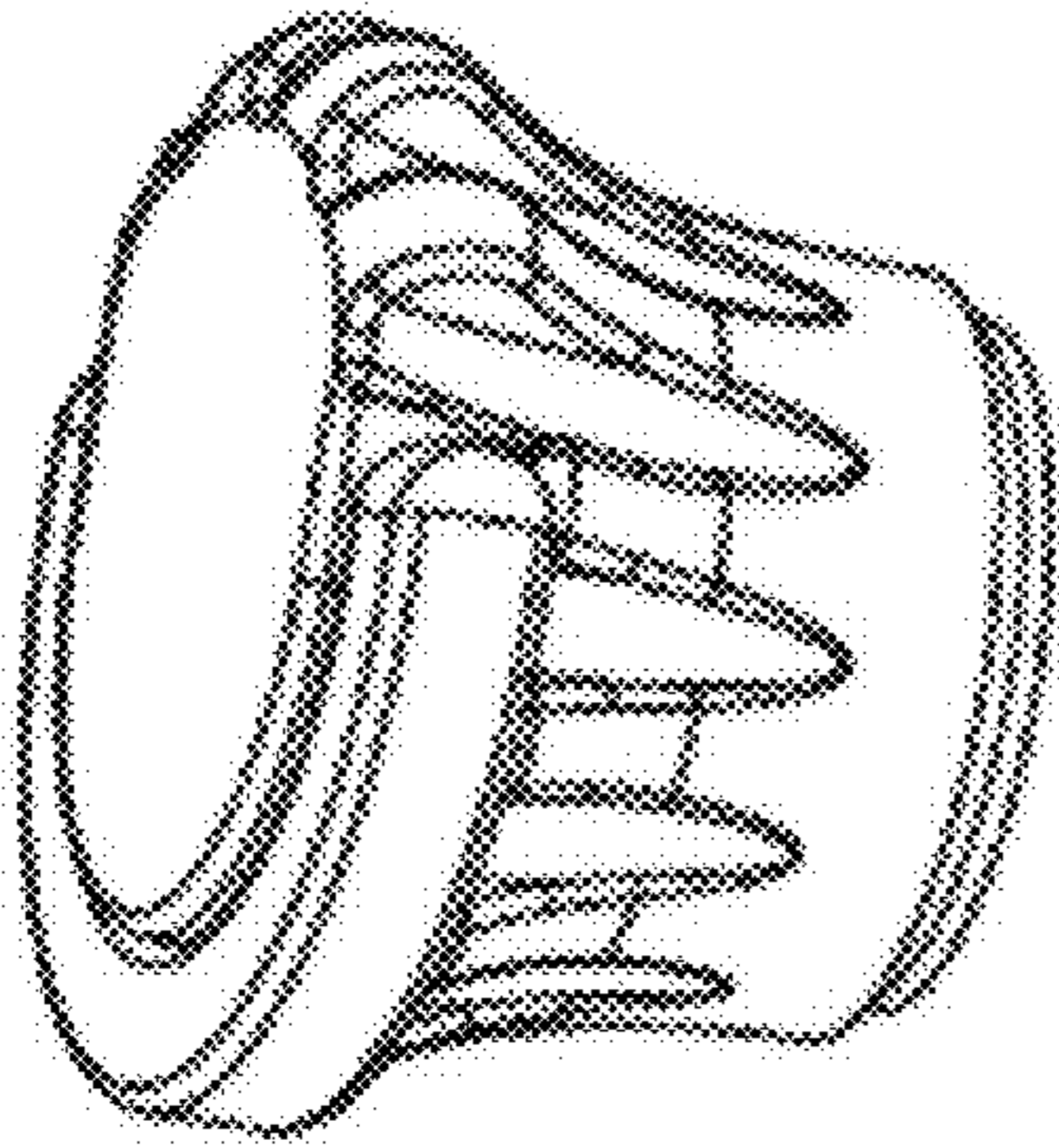


FIGURE 10

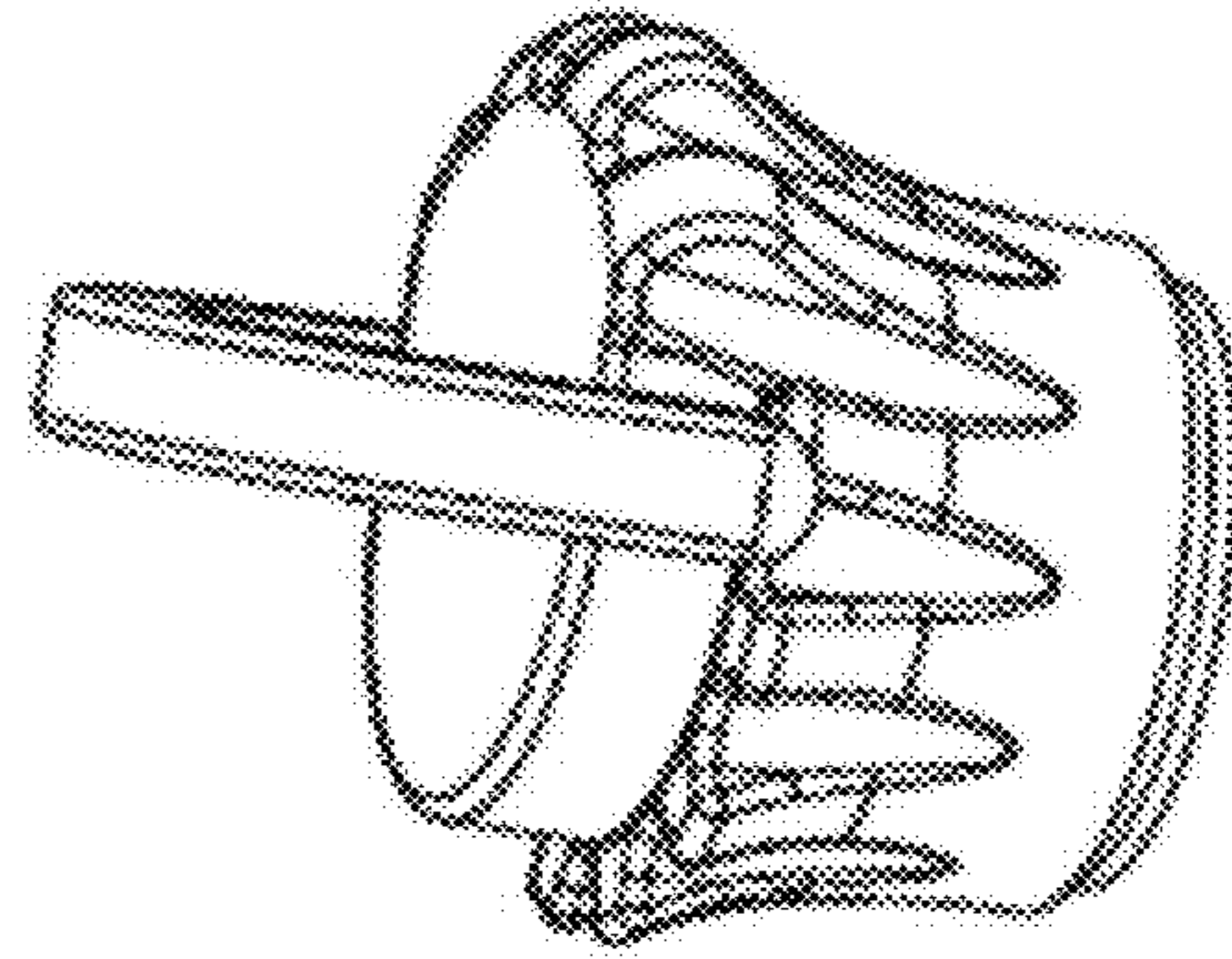


FIGURE 11

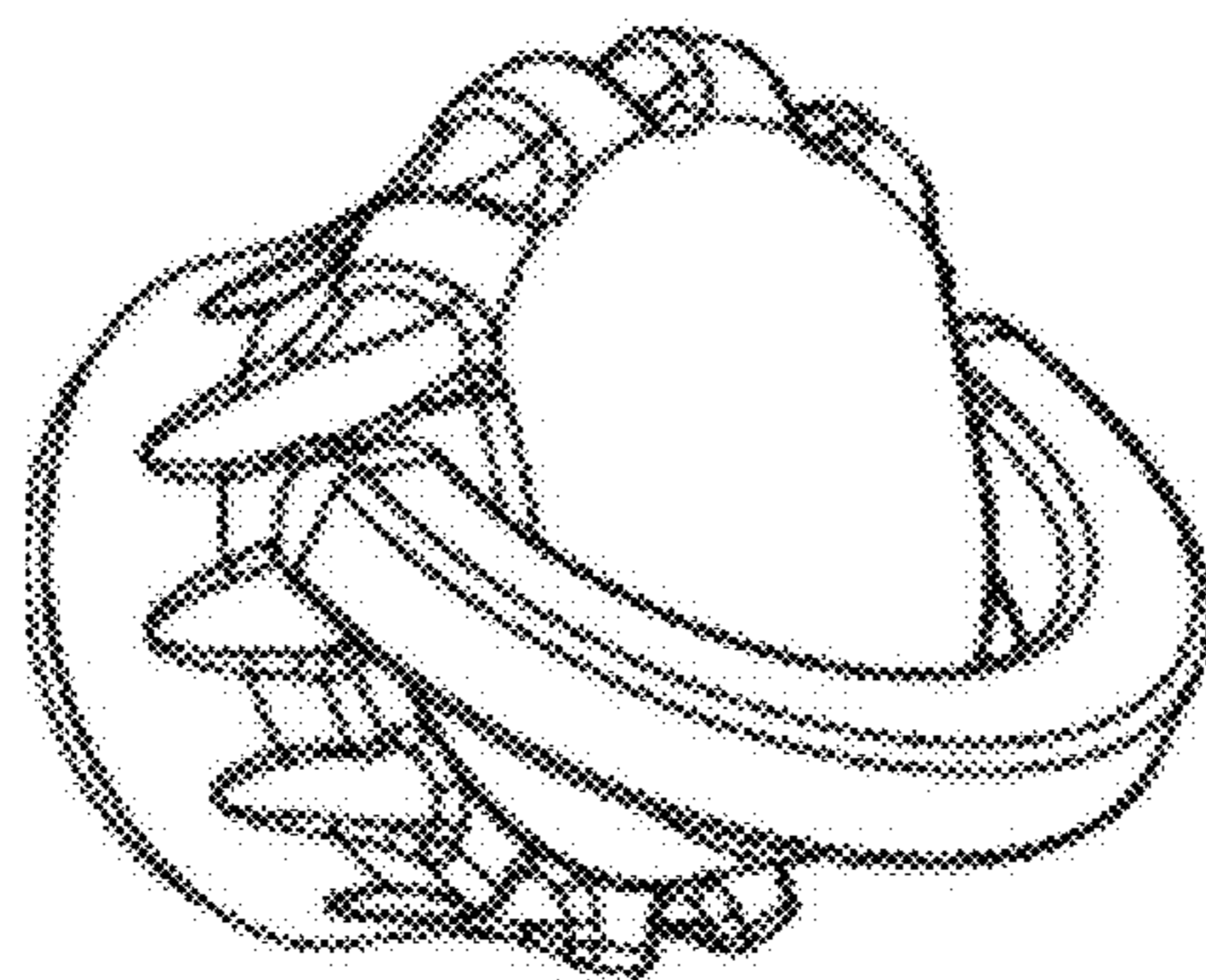


FIGURE 12