



US00D554014S

(12) **United States Design Patent**  
**Ueda**

(10) **Patent No.:** **US D554,014 S**

(45) **Date of Patent:** **\*\* Oct. 30, 2007**

(54) **SPEEDOMETER FOR A BICYCLE**

D528,451 S \* 9/2006 Cunningham et al. .... D10/98

(75) Inventor: **Takashi Ueda**, Osaka (JP)

\* cited by examiner

(73) Assignee: **Cat Eye Co., Ltd.**, Osaka (JP)

*Primary Examiner*—Antoine D. Davis

(\*\*) Term: **14 Years**

(74) *Attorney, Agent, or Firm*—Olson & Hierl, Ltd.

(21) Appl. No.: **29/272,592**

(57) **CLAIM**

(22) Filed: **Feb. 12, 2007**

The ornamental design for a speedometer for a bicycle, as shown.

(30) **Foreign Application Priority Data**

Aug. 29, 2006 (JP) ..... 2006-022818

**DESCRIPTION**

(51) **LOC (8) Cl.** ..... **10-04**

(52) **U.S. Cl.** ..... **D10/98**

(58) **Field of Classification Search** ..... D10/98;  
73/490, 493, 514.39, 527; 235/95 R; 324/160–180,  
324/207.13, 207.22, 207.25; 340/432; 702/145–148  
See application file for complete search history.

FIG. 1 is a perspective view of a speedometer for a bicycle showing my new design;

FIG. 2 is a front view thereof;

FIG. 3 is a rear view thereof;

FIG. 4 is a top plan view thereof;

FIG. 5 is a bottom plan view thereof; and,

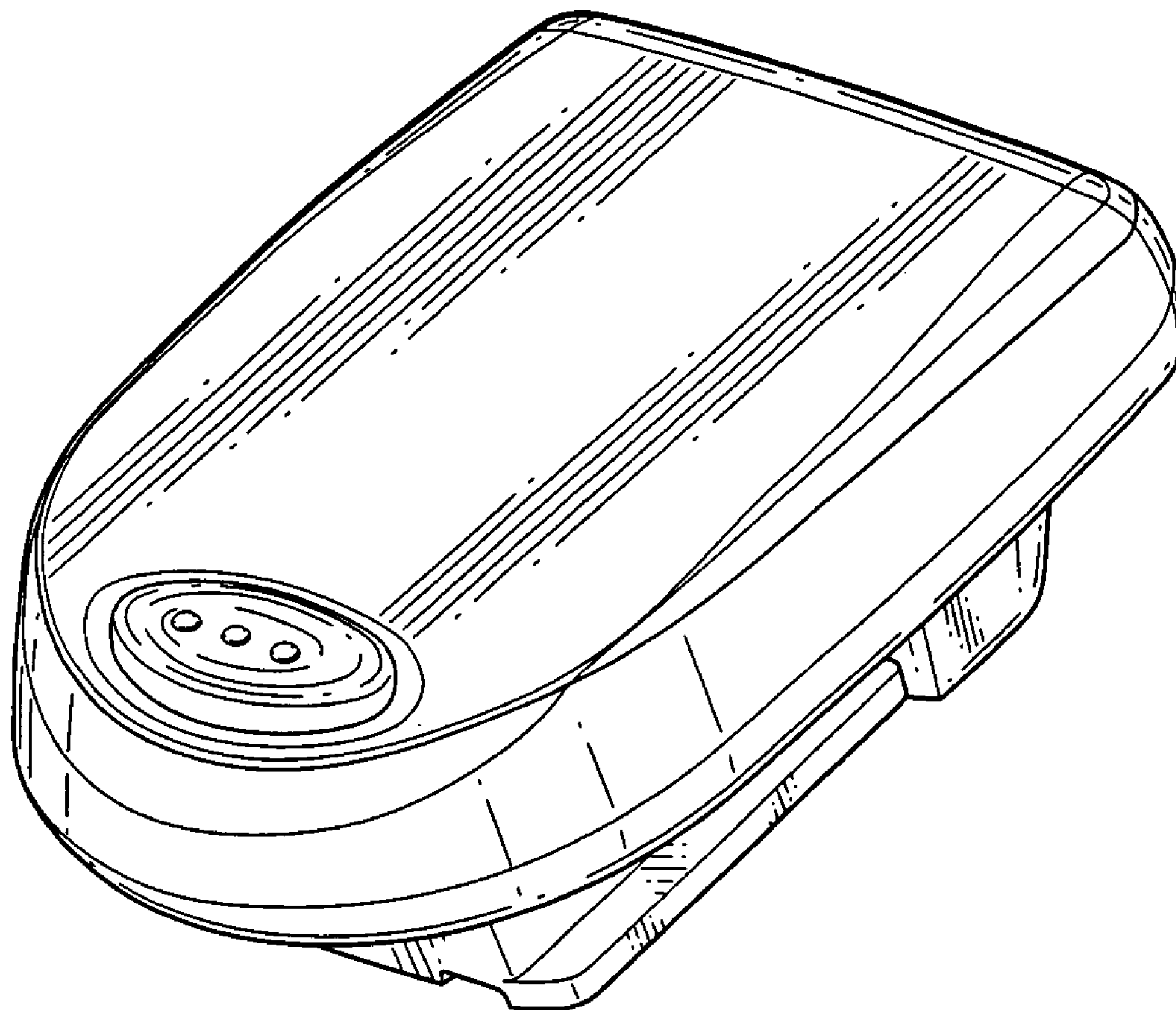
FIG. 6 is a right side view thereof.

(56) **References Cited**

**U.S. PATENT DOCUMENTS**

6,917,565 B2 \* 7/2005 Kishida ..... 324/179

**1 Claim, 4 Drawing Sheets**



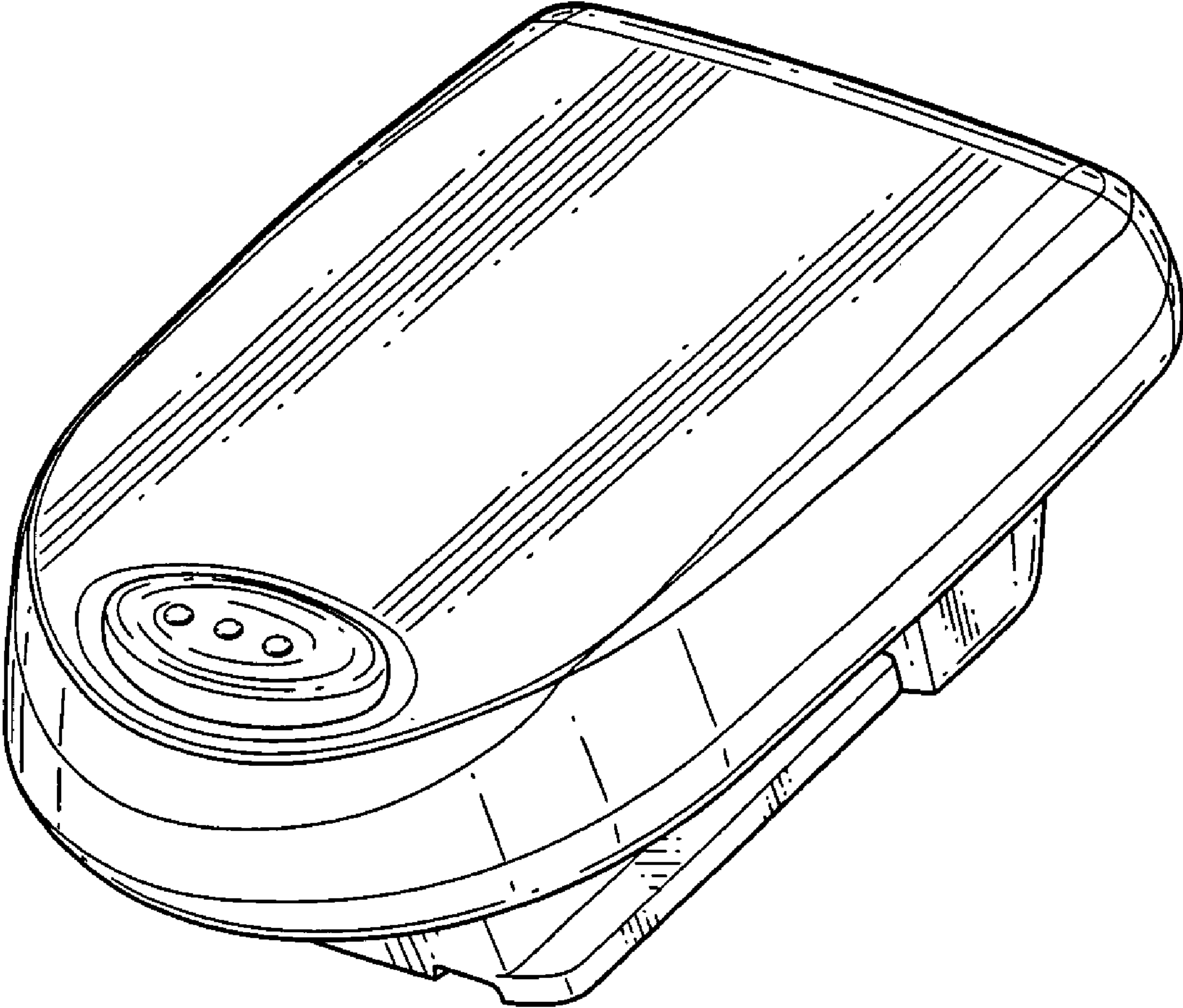


Fig. 1

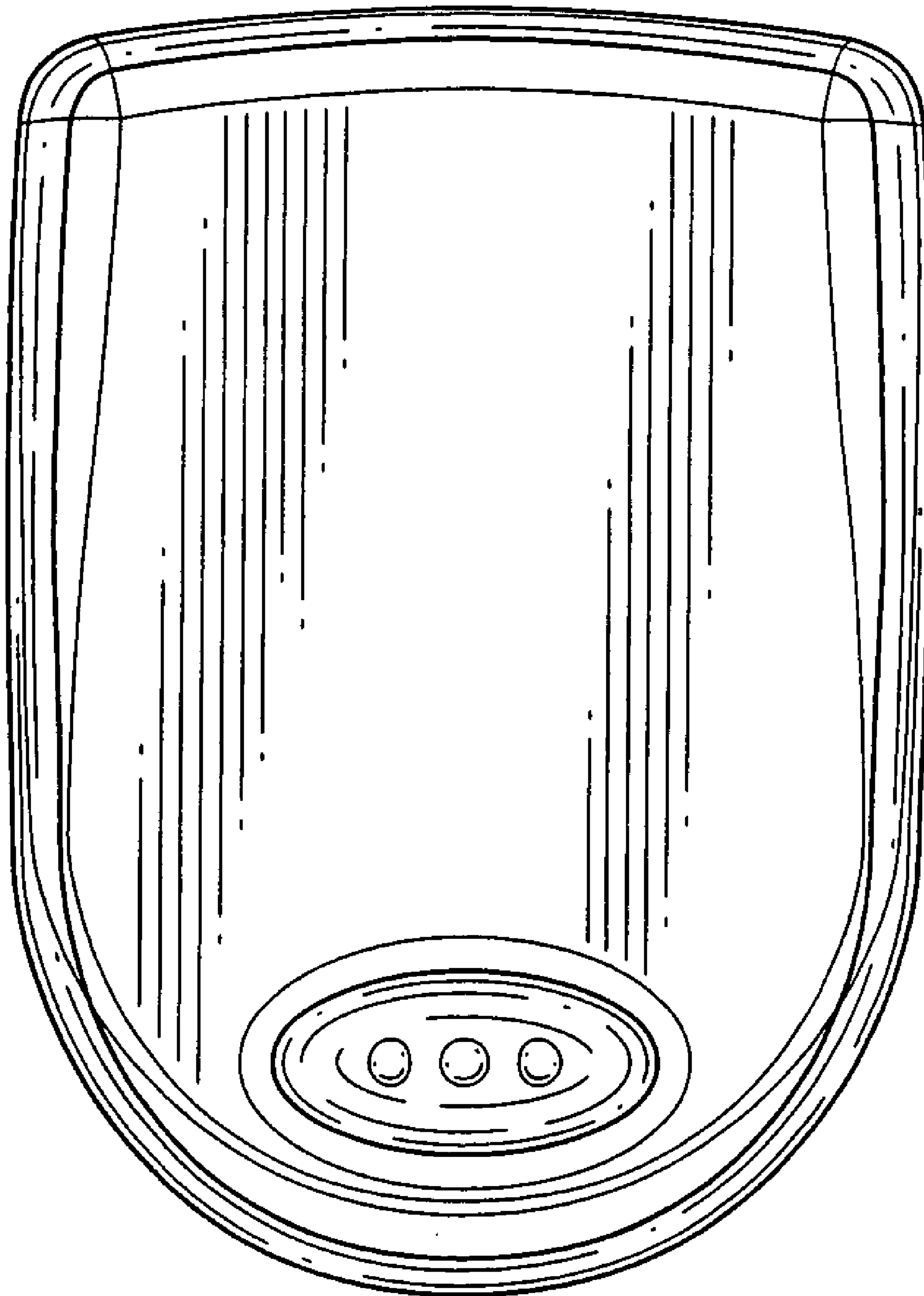


Fig. 2

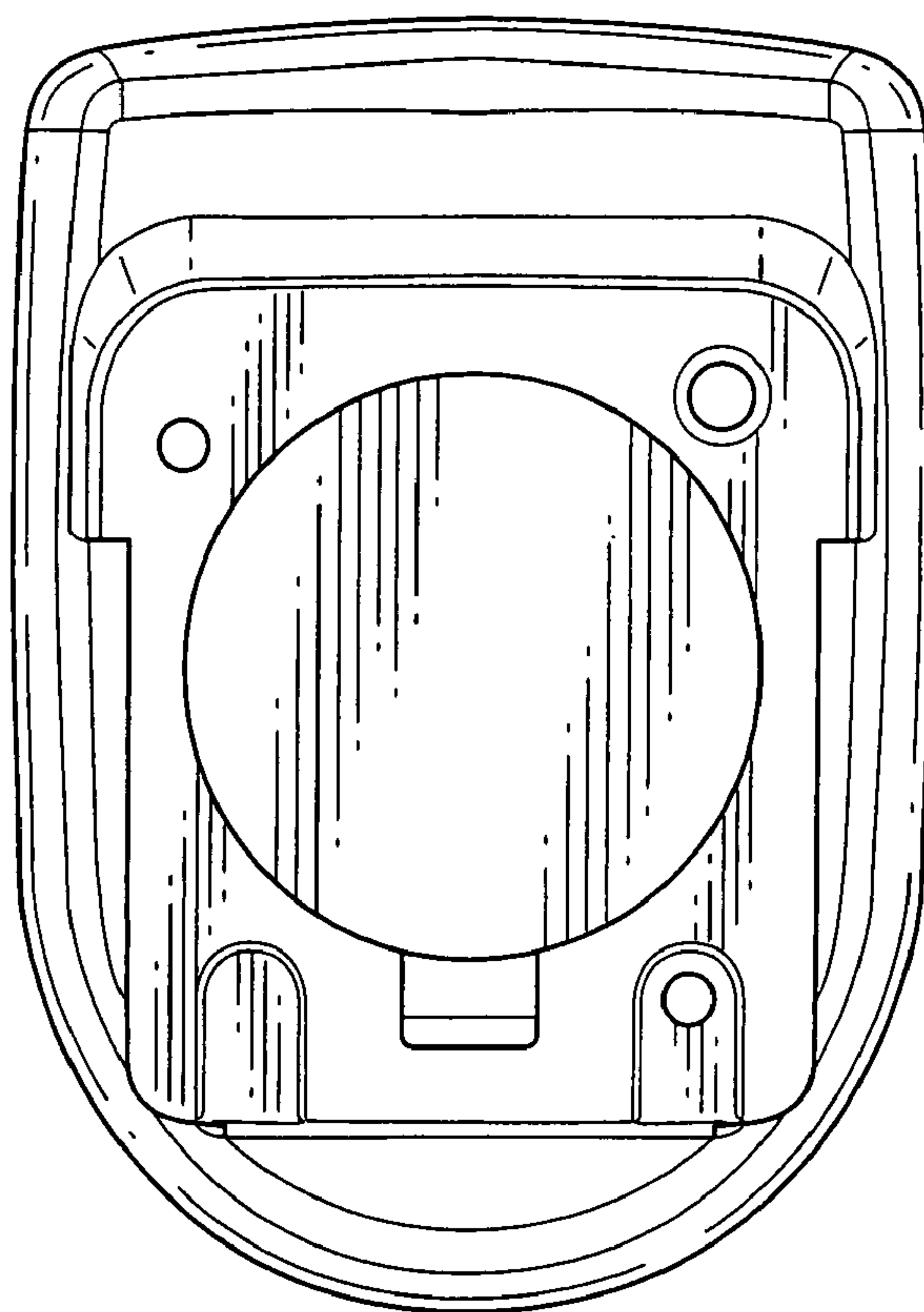


Fig. 3

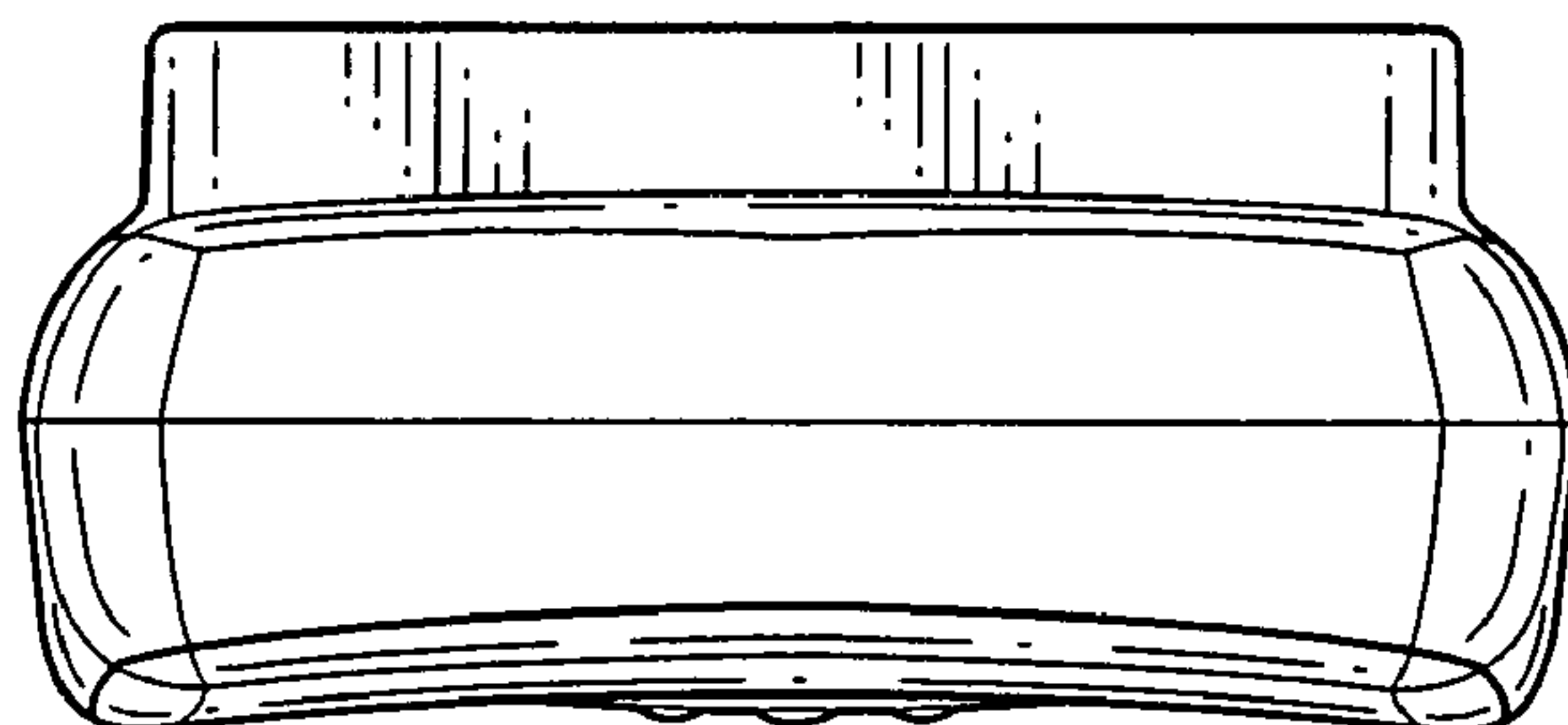


Fig. 4

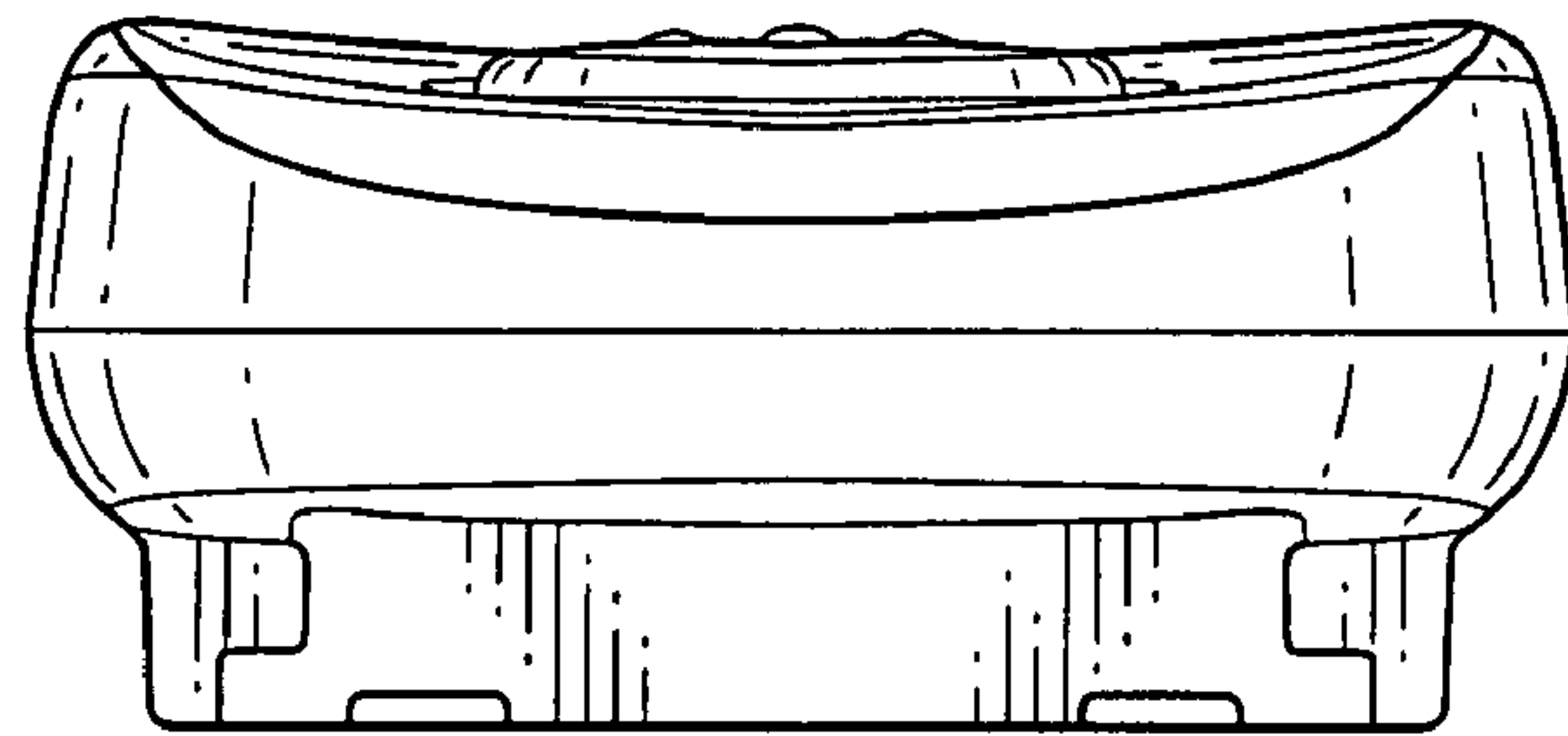


Fig. 5

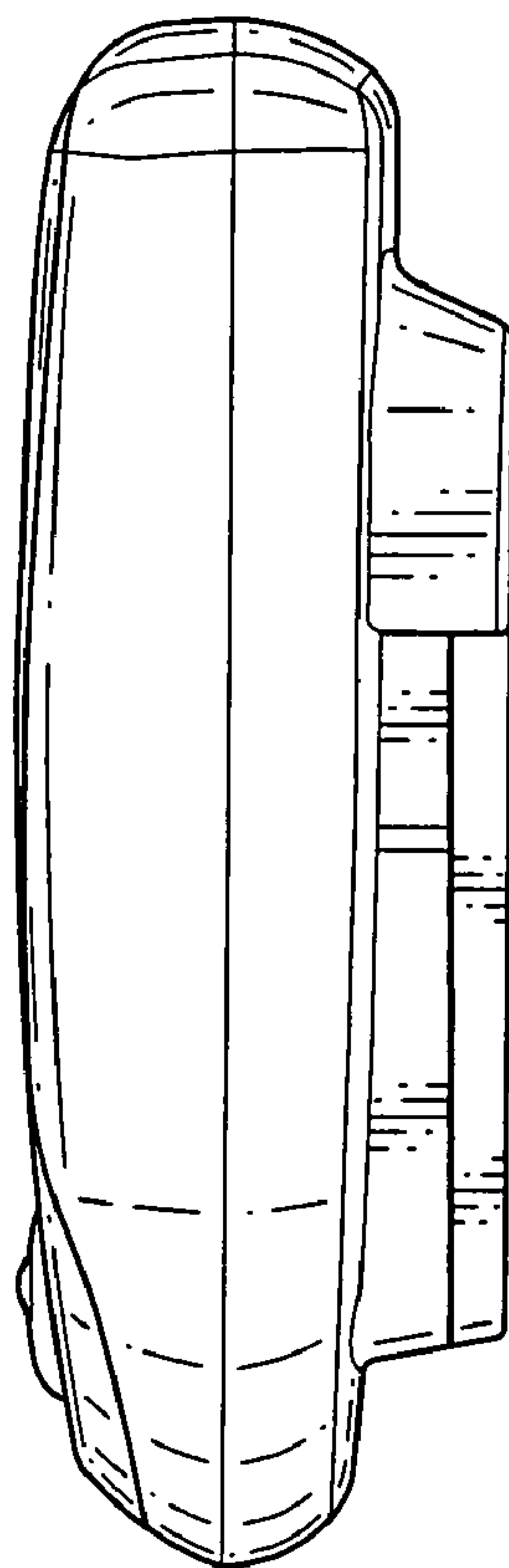


Fig. 6