



US00D554012S

(12) **United States Design Patent**
Medugorac

(10) **Patent No.:** **US D554,012 S**

(45) **Date of Patent:** **** Oct. 30, 2007**

(54) **SCALE**

(75) **Inventor:** **Zlatan Medugorac**, Ulm (DE)

(73) **Assignee:** **Mettler-Toledo (Albstadt) GmbH**,
Albstadt (DE)

(**) **Term:** **14 Years**

(21) **Appl. No.:** **29/273,664**

(22) **Filed:** **Mar. 8, 2007**

Related U.S. Application Data

(62) Division of application No. 29/268,044, filed on Oct. 28, 2006.

(30) **Foreign Application Priority Data**

Apr. 28, 2006 (EM) 518 964
Aug. 3, 2006 (EM) 570 122

(51) **LOC (8) Cl.** **10-04**

(52) **U.S. Cl.** **D10/91**

(58) **Field of Classification Search** D10/87-95;
177/4, 25.12-25.16, 177, 199, 210 R, 238-245,
177/DIG. 3, 262, 210 C, 30, 126-127; 324/692,
324/512, 515, 806; 600/506, 547

See application file for complete search history.

(56) **References Cited**

U.S. PATENT DOCUMENTS

D371,311 S * 7/1996 Mimoto D10/91
D478,293 S * 8/2003 Medugorac D10/91
D480,655 S * 10/2003 Medugorac D10/91

* cited by examiner

Primary Examiner—Antoine D. Davis
(74) *Attorney, Agent, or Firm*—Friedrich Kueffner

(57) **CLAIM**

The ornamental design for a scale, as shown and described.

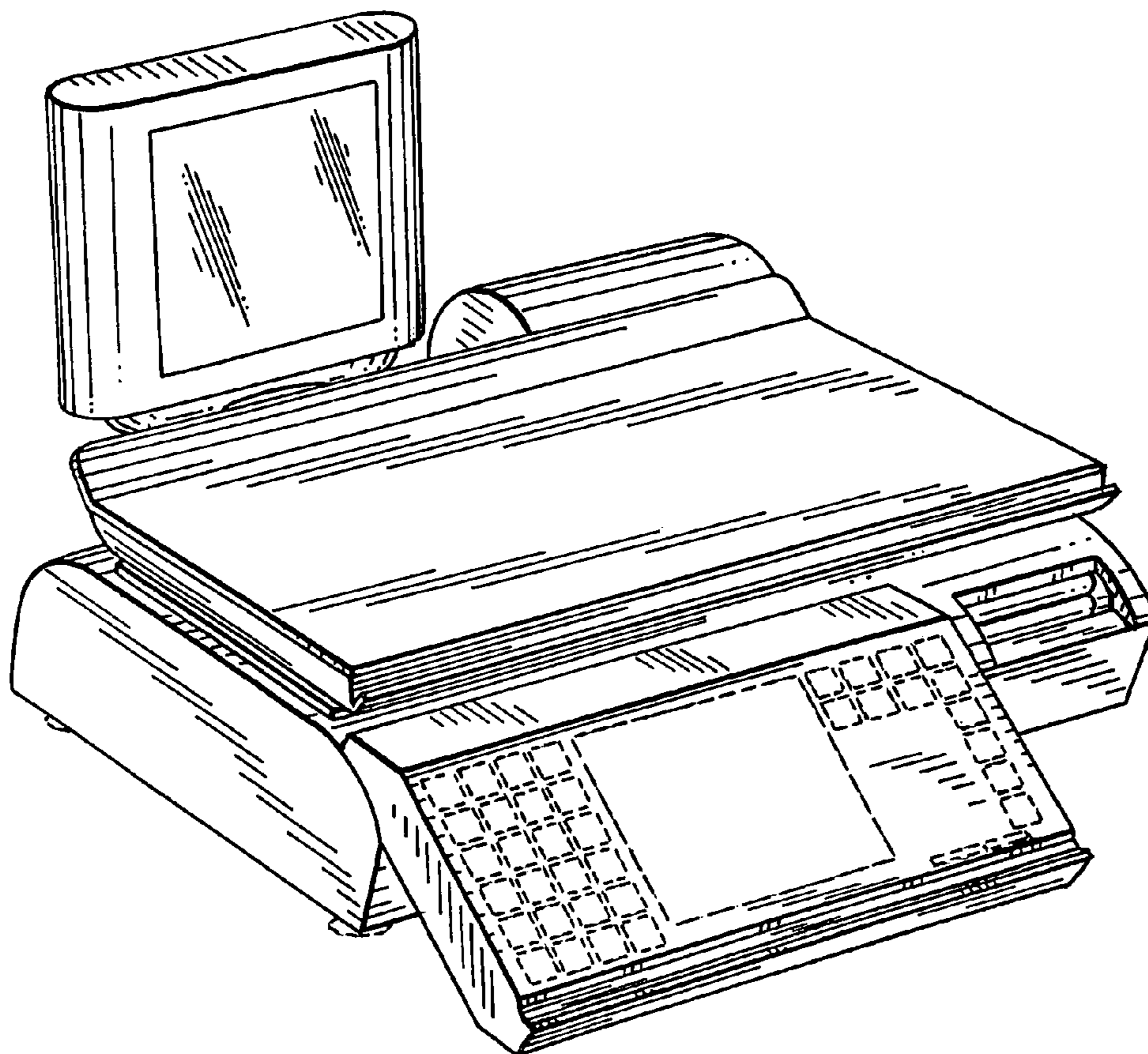
DESCRIPTION

FIG. 1 is a perspective front view of a scale showing my new design;

FIG. 2 is a side view thereof; and,

FIG. 3 is a rear view thereof.

1 Claim, 2 Drawing Sheets



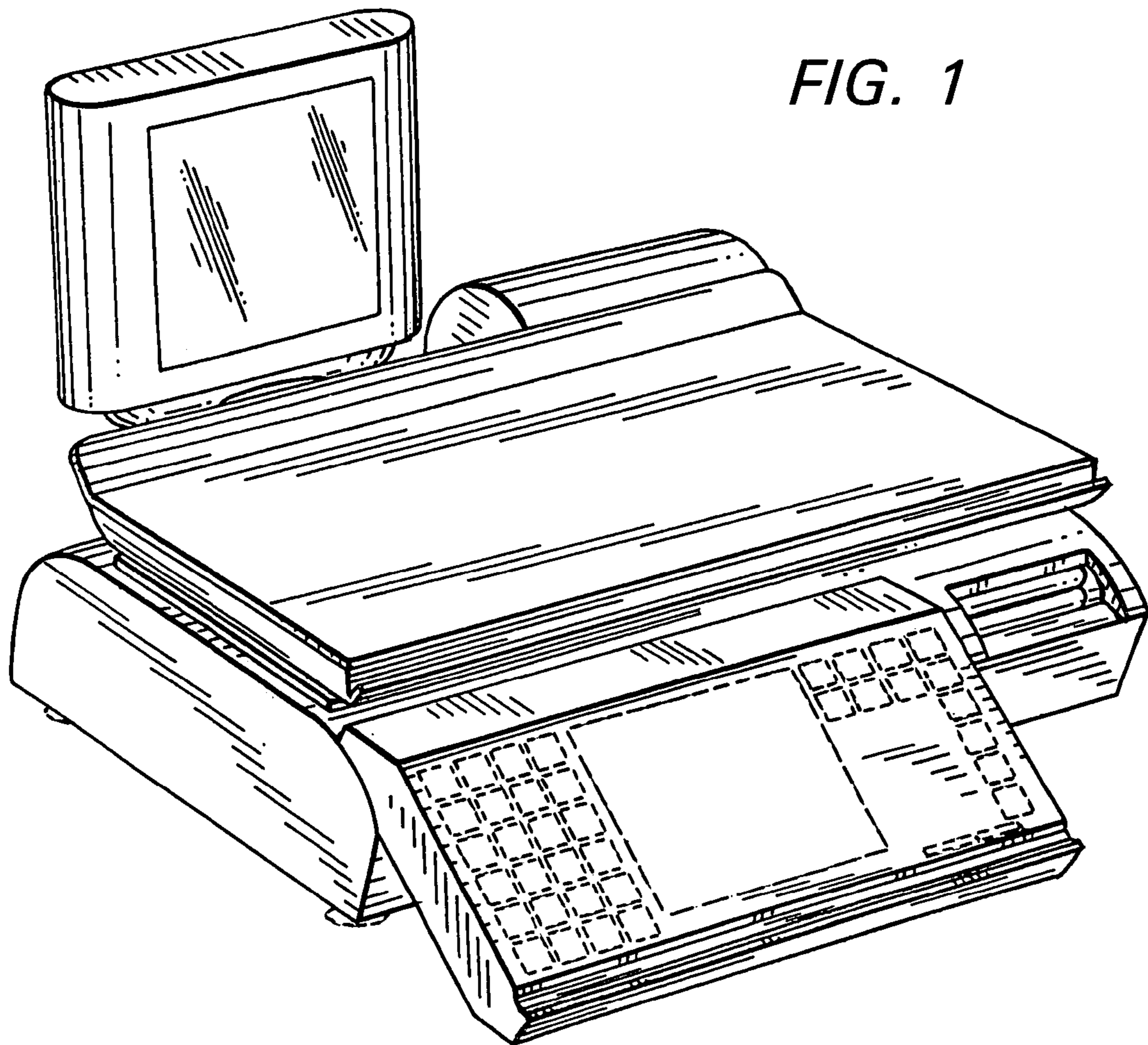


FIG. 1

FIG. 2

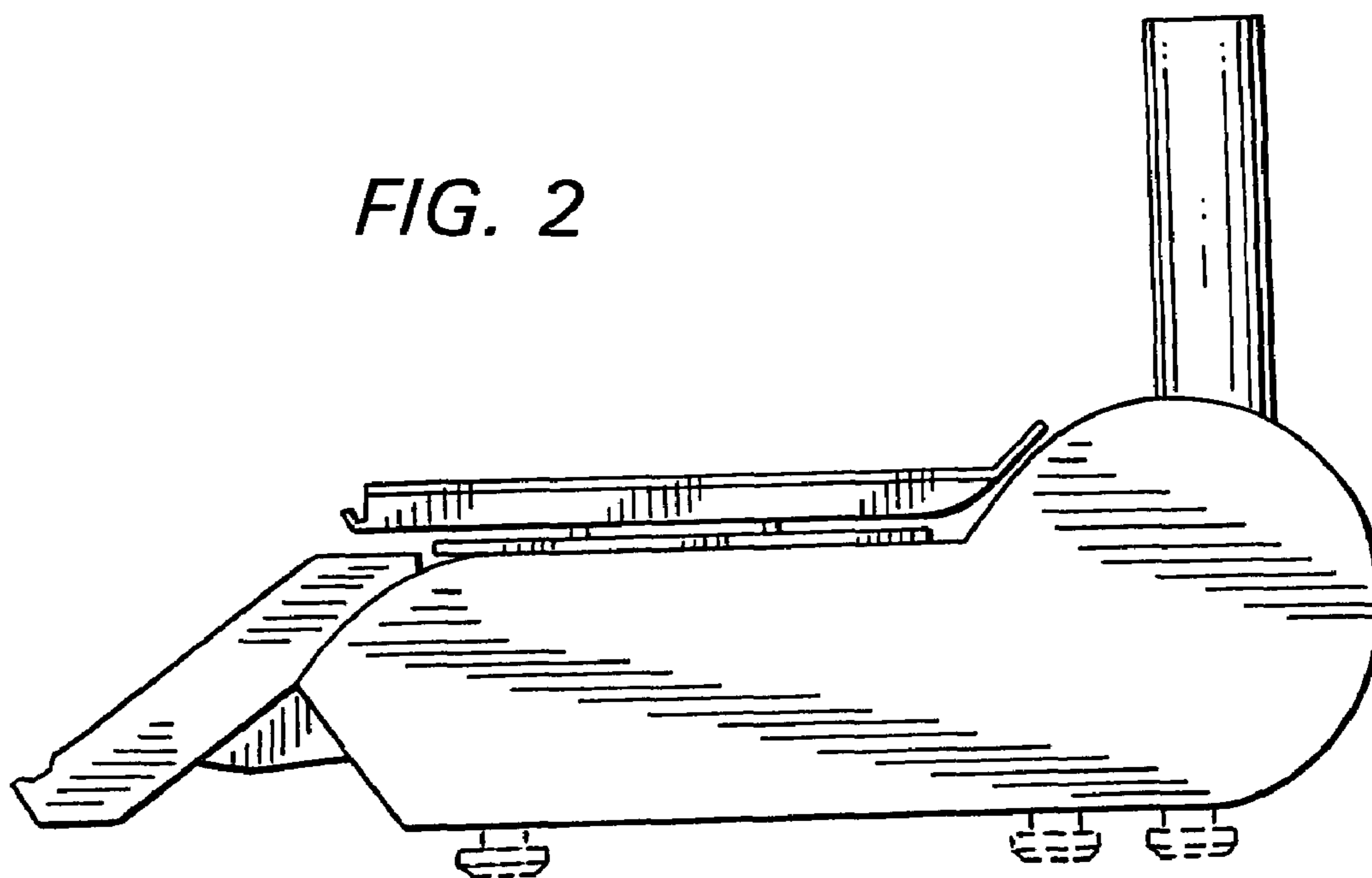


FIG. 3

