



US00D554006S

(12) **United States Design Patent**  
**Autio et al.**

(10) **Patent No.:** **US D554,006 S**  
(45) **Date of Patent:** **\*\* Oct. 30, 2007**

(54) **RADAR DETECTOR FOR MOTORCYCLES**

(75) Inventors: **Craig R. Autio**, Orange, MA (US);  
**Michael Batten**, Westminster, MA (US)

(73) Assignee: **The Whistler Group, Inc.**, Chelmsford, MA (US)

(\*\*) Term: **14 Years**

(21) Appl. No.: **29/241,592**

(22) Filed: **Oct. 28, 2005**

(51) **LOC (8) Cl.** ..... **10-04**

(52) **U.S. Cl.** ..... **D10/47; D10/99**

(58) **Field of Classification Search** ..... D10/47,  
D10/99, 100, 102; 342/13, 20, 175, 176,  
342/195, 52, 53, 54, 89; 398/202, 212; 455/227  
See application file for complete search history.

(56) **References Cited**

**U.S. PATENT DOCUMENTS**

D201,255 S *	6/1965	Czapar	.....	D10/102
5,781,145 A *	7/1998	Williams et al.	.....	342/20
6,783,040 B2 *	8/2004	Batchelor	.....	224/413
6,950,053 B1 *	9/2005	Peterson	.....	342/20

\* cited by examiner

*Primary Examiner*—Antoine D. Davis  
(74) *Attorney, Agent, or Firm*—David W. Carstens; Carstens & Cahoon, LLP

(57) **CLAIM**

The ornamental design for an radar detector for motorcycles, as shown.

**DESCRIPTION**

FIG. 1 is a perspective view of the radar detector for motorcycles embodying the present invention;

FIG. 2 is a right side view of the radar detector for motorcycles;

FIG. 3 is a left side view of the radar detector for motorcycles;

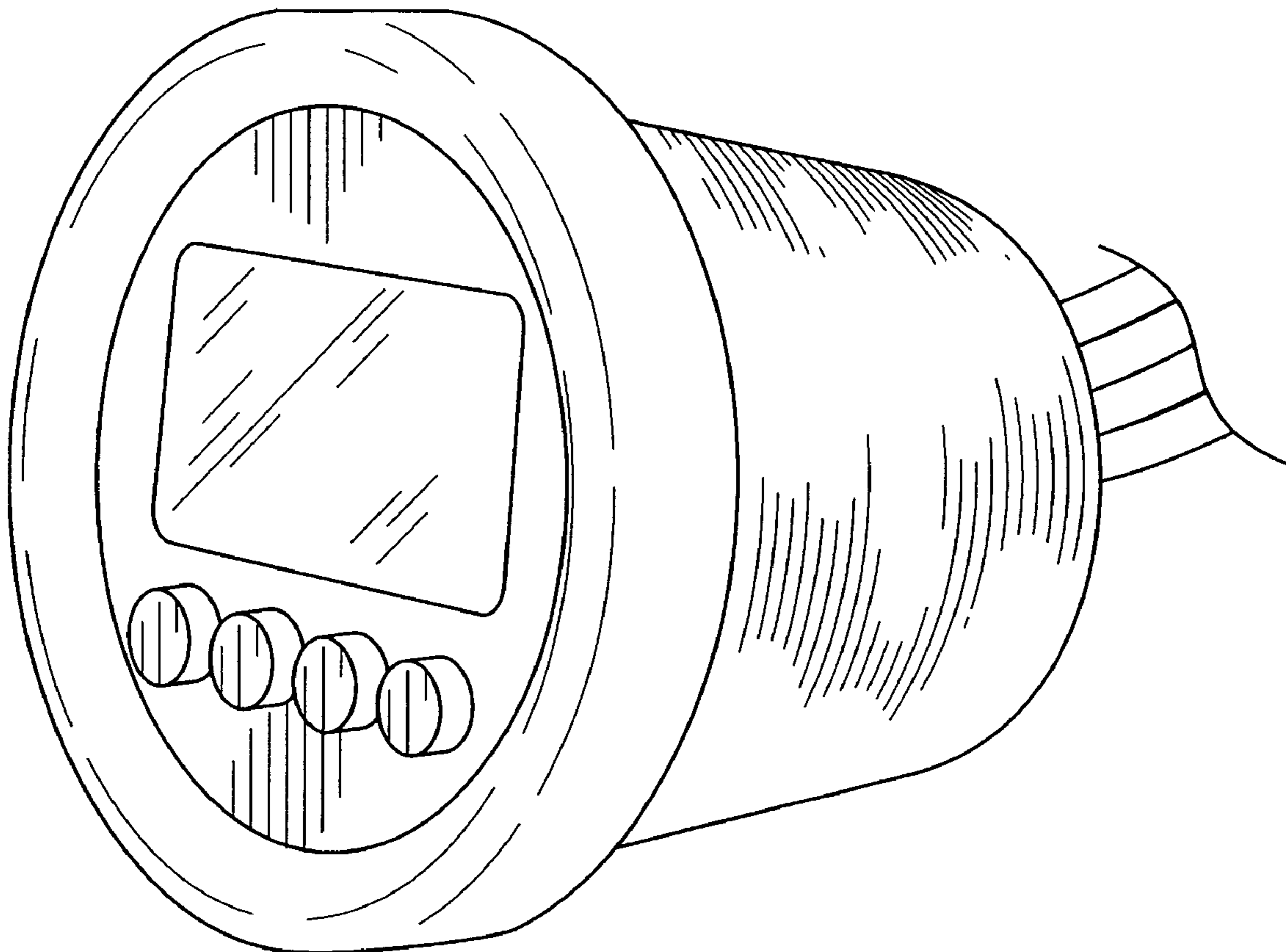
FIG. 4 is a rear view of the radar detector for motorcycles;

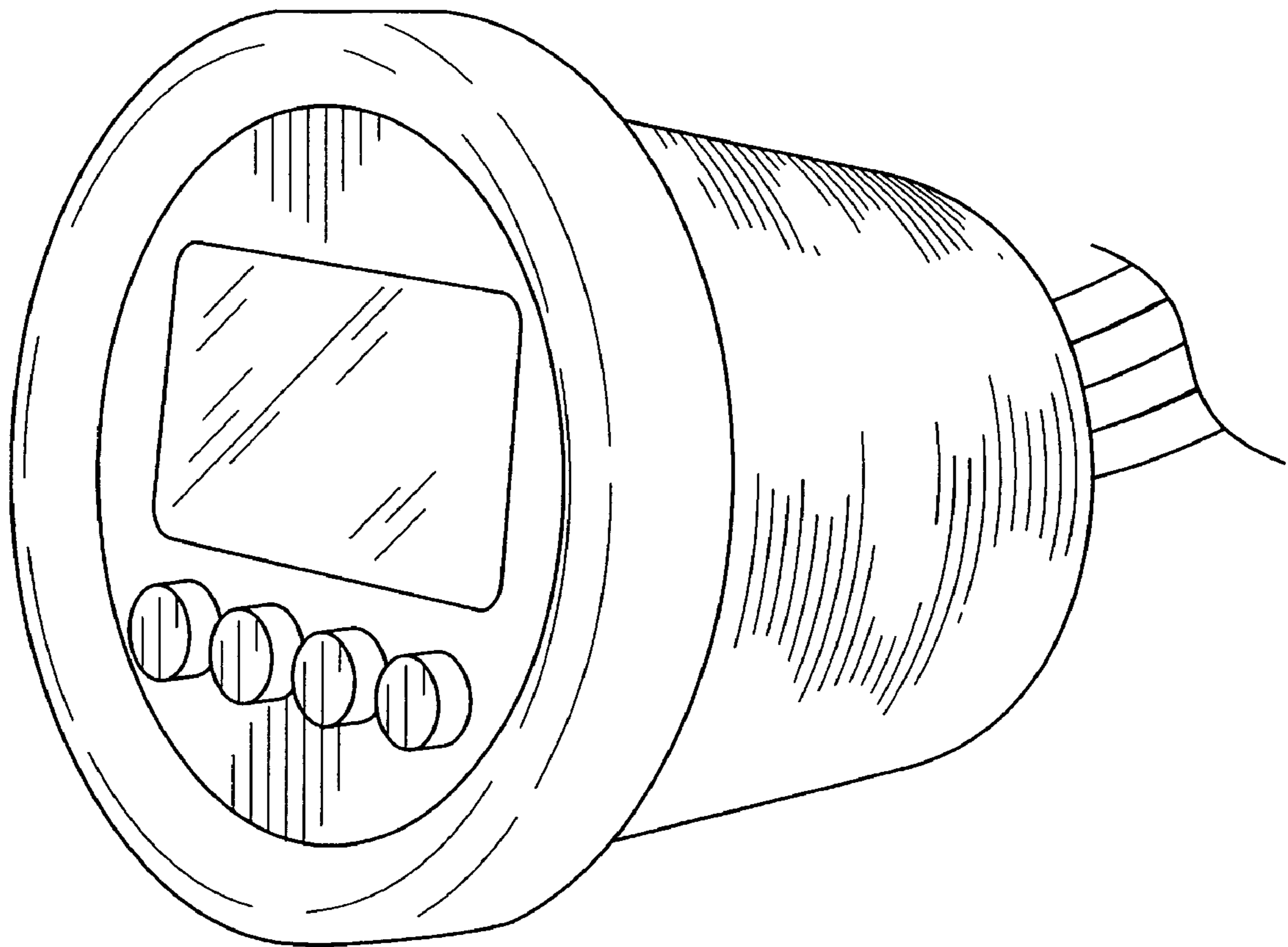
FIG. 5 is a front side view of the radar detector for motorcycles;

FIG. 6 is a top view of the radar detector for motorcycles; and,

FIG. 7 is a bottom view of the radar detector for motorcycles.

**1 Claim, 7 Drawing Sheets**





**FIG. 1**

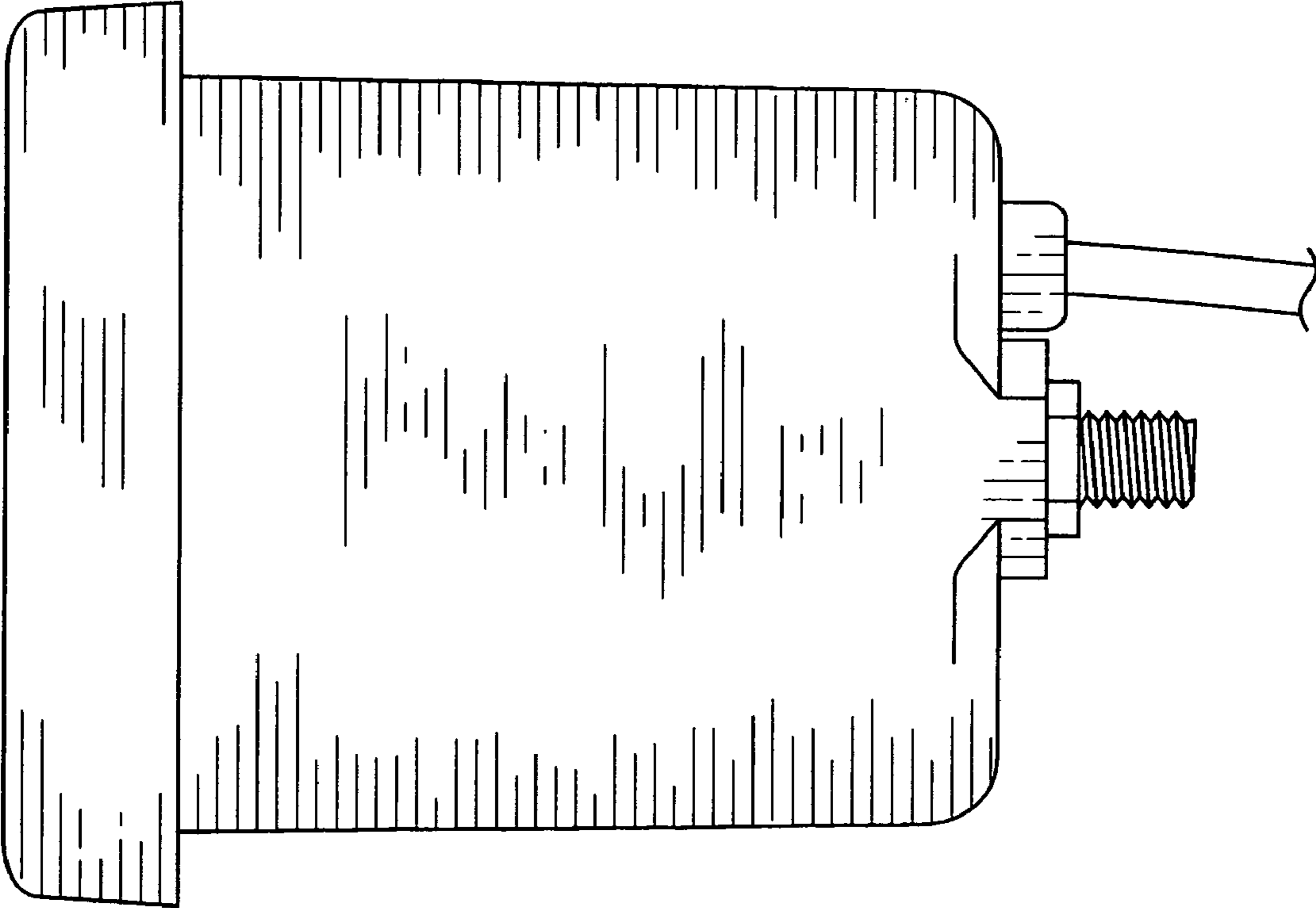
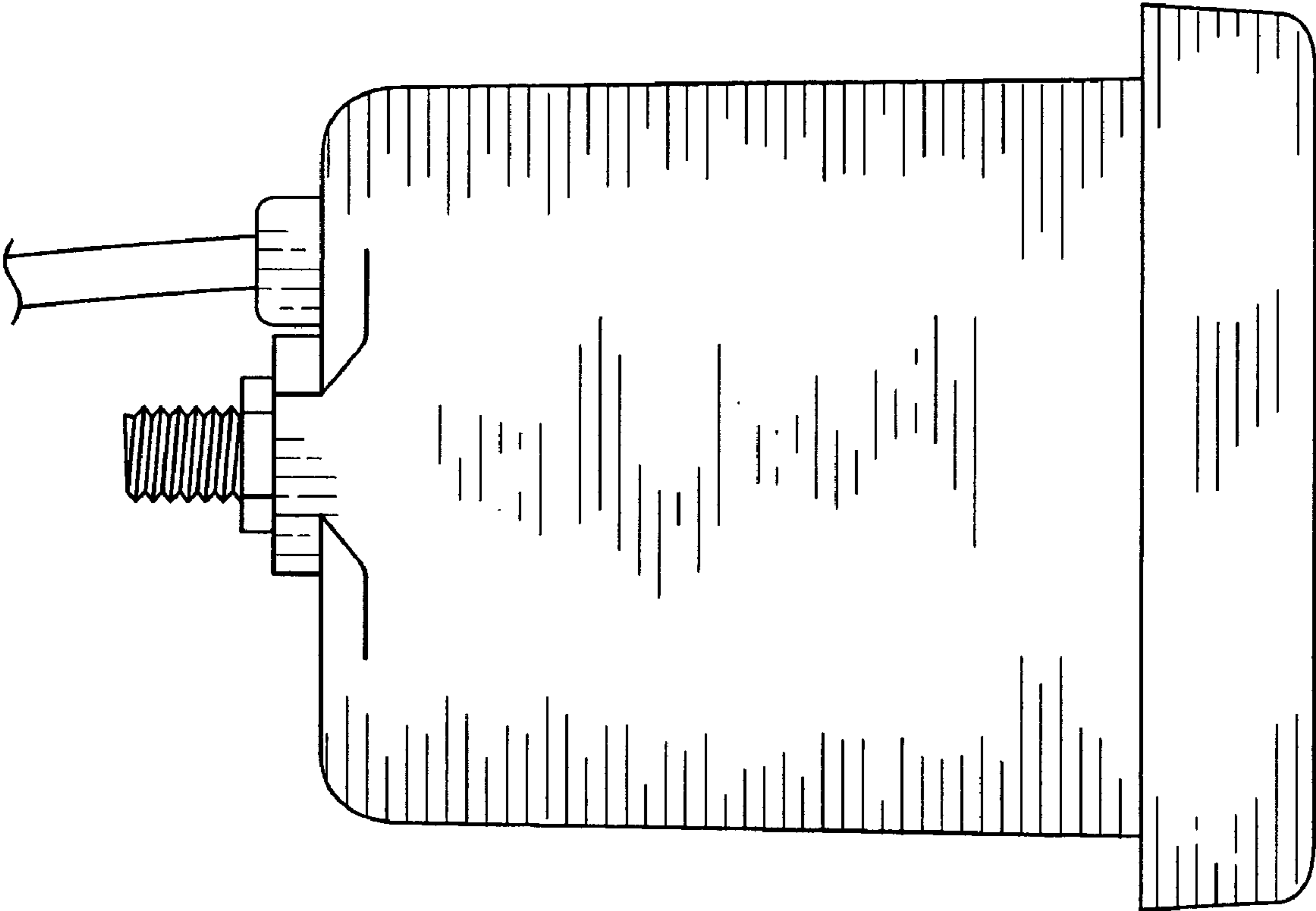
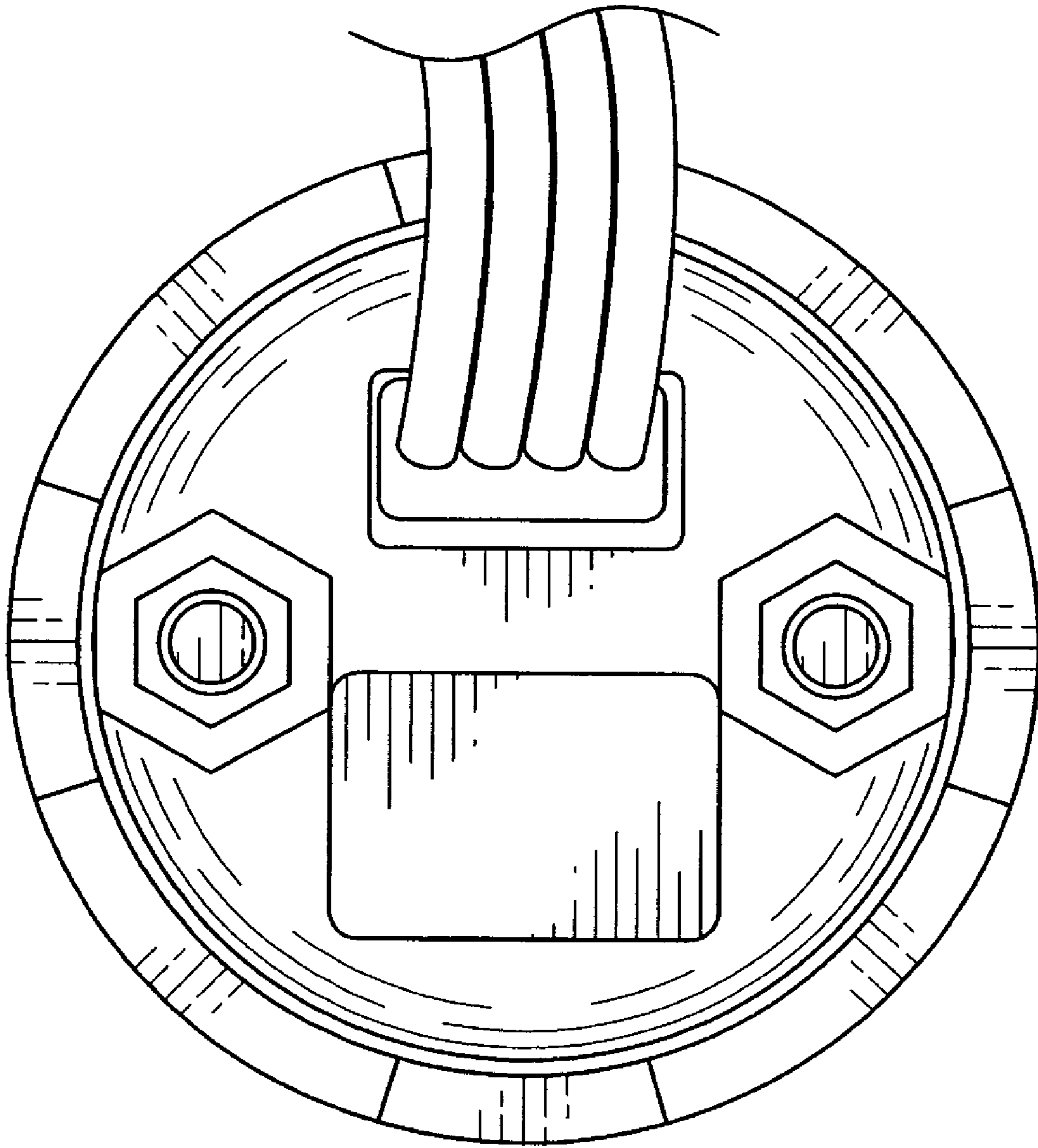


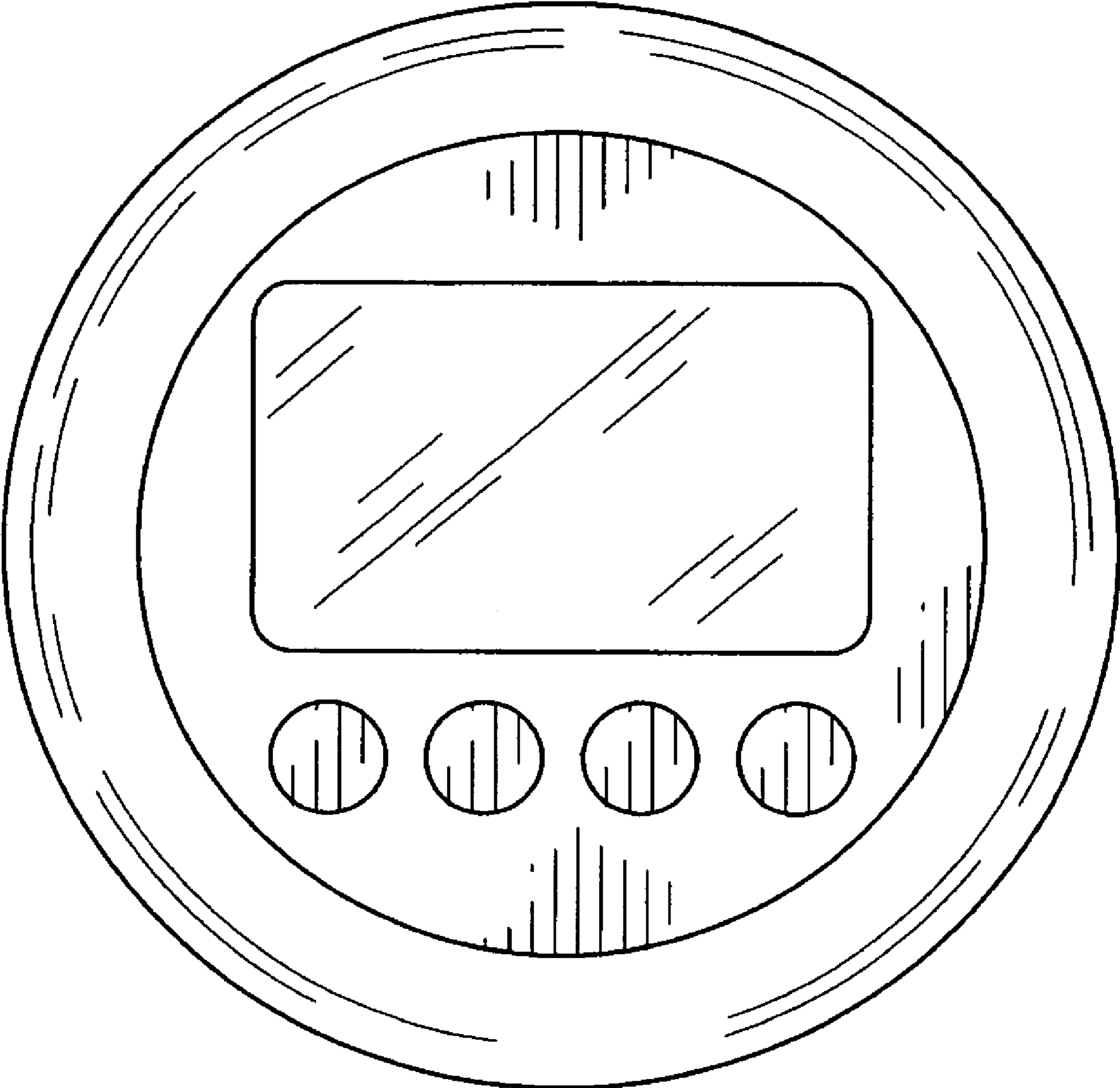
FIG. 2



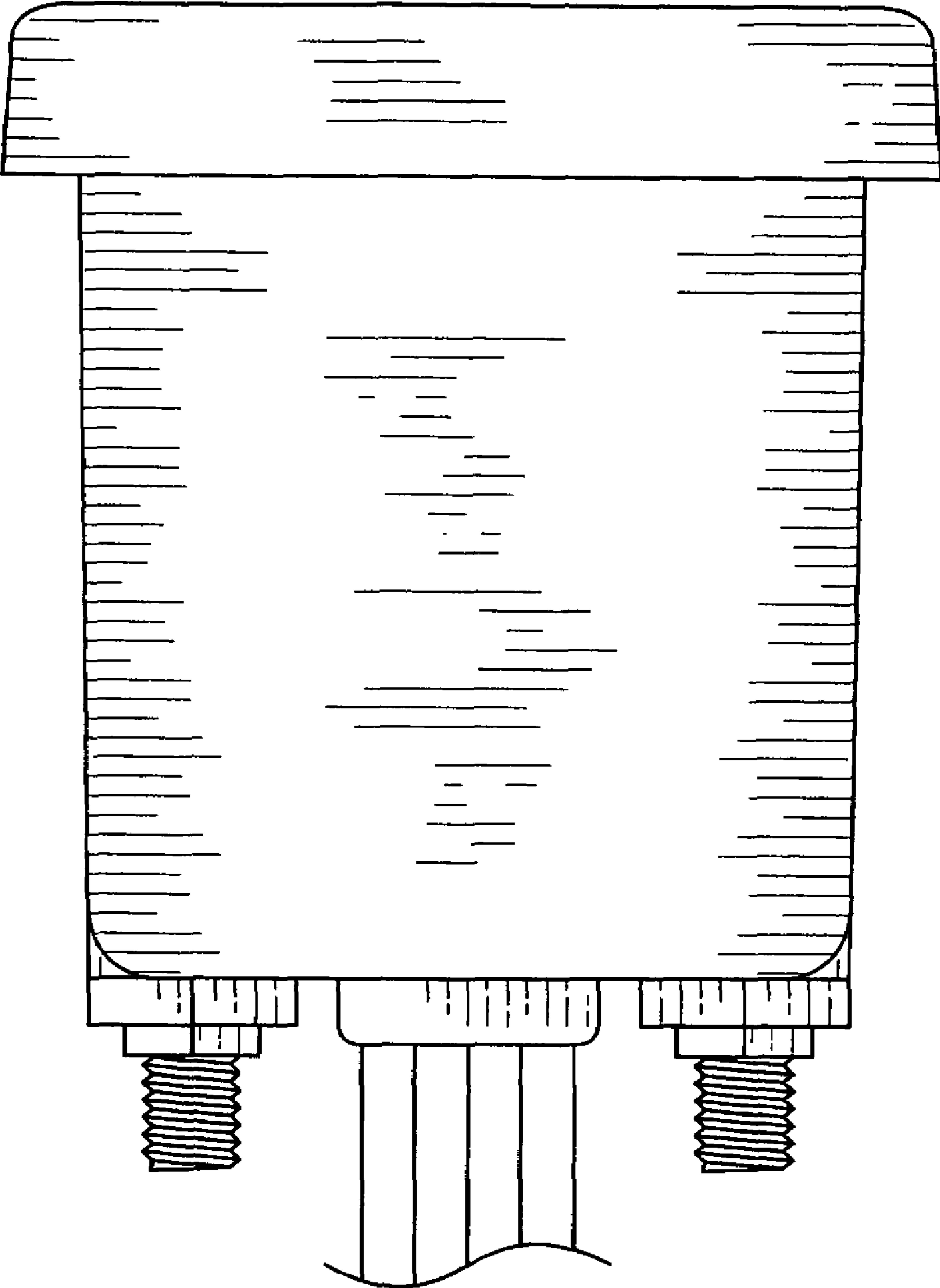
**FIG. 3**



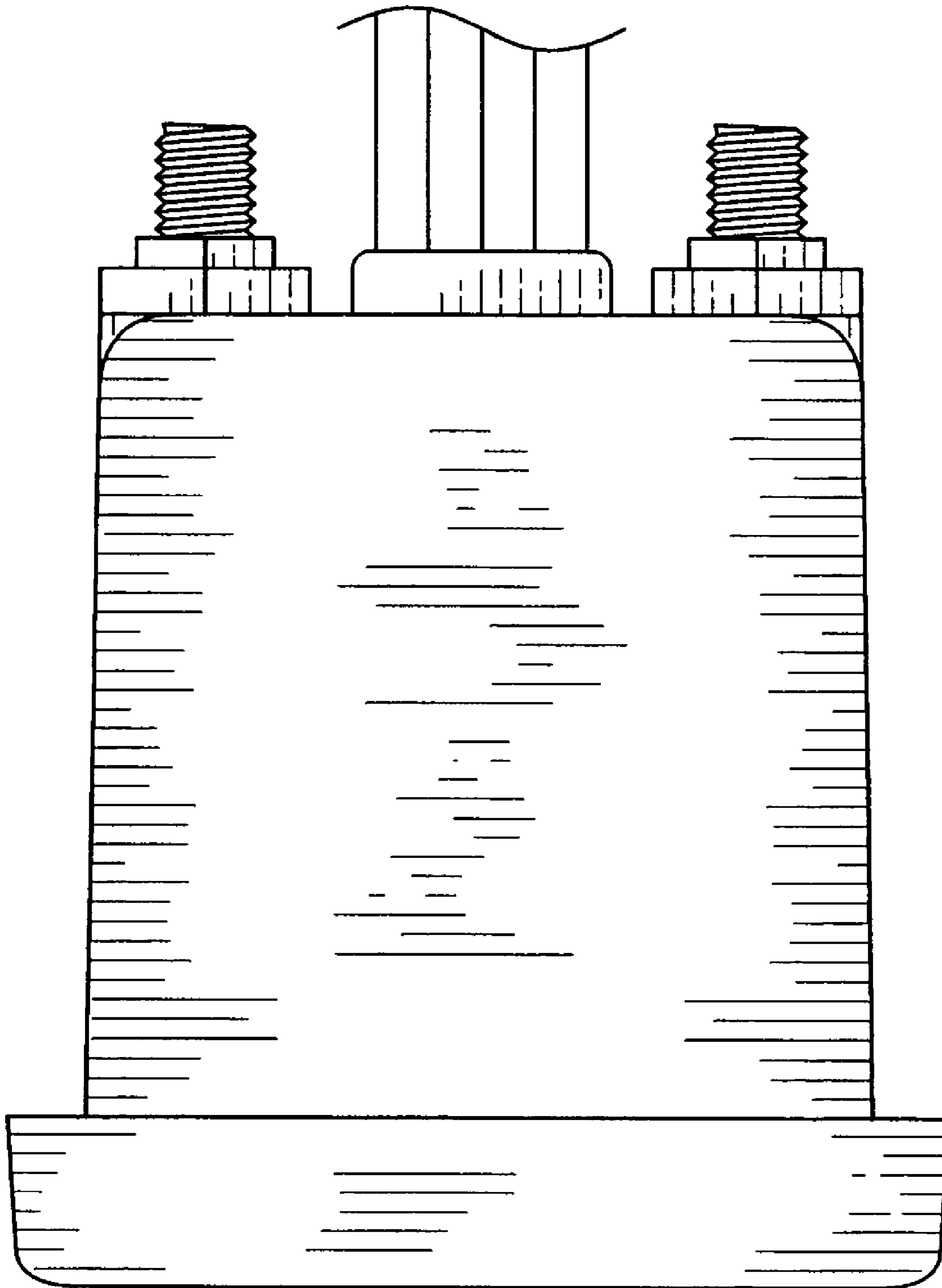
**FIG. 4**



**FIG. 5**



**FIG. 6**



**FIG. 7**